

**(US)** Load bearing installation recommendations

- Pressalit can only be held responsible for installations carried out by Pressalit's own installers.
- Pressalit can not be held responsible for reinforcements made in a faulty manner.
- The below recommendations are based on experience and internal test results.
- The below recommendations are to be considered as guidelines only.
- Subject to alteration without further notice.

This advisory document shows the maximum load capacity for individual bolts and other types of anchors that can be used for fixing Pressalit's products to the wall.

The maximum load capacities shown below are per bolt/anchor and must be considered in relation to the information provided for the product that is being fitted. The information specific to the product will show how great the load is on each fixing point when the product is used at its recommended safe working load.

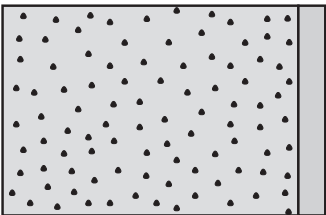

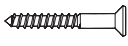

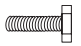




Only if the load on each fixing point of a given product is less than the maximum load capacity of the type of bolt/anchor under consideration, should the bolt/anchor in question be used.

**E.g.**

**One might wish to fit an adult changing table 3000 to an aerated concrete wall:**

Maximum load                      Maximum load: 440 lbs.  
When the bench is loaded with 440 lbs, each mounting bolt supports 57 lbs.

Each fixing point is here carrying a load of 57 lbs, and the bolts typically recommended for aerated concrete (Ø10, M8, M10) all have a maximum load capacity that is higher than 57 lbs, so they can all be used.

| Aerated Concrete P4   | Plug   | Anchor / Bolt  | Maximum load |
|---|--|--|--------------|
|  | fischer GB 14<br>   | Ø10 x 80-105<br> | 198 lbs      |
|   | fischer FTP M 8<br> | M8 x 35<br>       | 143 lbs      |
|   | fischer FTP M 8<br> | M8 X 35<br>       | 143 lbs      |
|   | fischer FTP K 6<br> | M5 x 50<br>      | 88 lbs       |

Please refer to installation drawings and specification pages (go to [max-ability.com](http://max-ability.com)) for further information about which types of bolts/anchors are recommended on specific wall types. MAX-Ability provides concrete anchors at no additional charge. Other fixing kits should be ordered separately.

## Choose the appropriate anchor for your wall

| Concrete > B25                 | Plug                | Anchor           | Maximum load |
|--------------------------------|---------------------|------------------|--------------|
|                                | fischer SX 12<br>   | Ø10 x 70/80<br>  | 375 lbs.     |
|                                | fischer SX 10<br>   | Ø8 x 70/80<br>   | 265 lbs      |
|                                | fischer SX 6<br>    | Ø5 x 50<br>      | 143 lbs      |
| Solid brick >= Mz12            | Plug                | Anchor           | Maximum load |
|                                | fischer SX 12<br>   | Ø10 x 70/80<br>  | 154 lbs      |
|                                | fischer SX 10<br>   | Ø8 x 70/80<br>   | 132 lbs      |
|                                | fischer SX 6<br>    | Ø5 x 50<br>      | 66 lbs       |
| Solid sand lime brick >= Hlz12 | Plug                | Anchor           | Maximum load |
|                                | fischer SX 12<br>   | Ø10 x 70/80<br>  | 375 lbs      |
|                                | fischer SX 10<br>   | Ø8 x 70/80<br>   | 265 lbs      |
|                                | fischer SX 6<br>    | Ø5 x 50<br>      | 110 lbs      |
| Aerated Concrete P4            | Plug                | Anchor / Bolt    | Maximum load |
|                                | fischer GB 14<br>   | Ø10 x 80-105<br> | 198 lbs      |
|                                | fischer FTP M 8<br> | M8 x 35<br>      | 143 lbs      |
|                                | fischer FTP M 8<br> | M8 X 35<br>      | 143 lbs      |
|                                | fischer FTP K 6<br> | M5 x 50<br>      | 88 lbs       |

# Wall Types



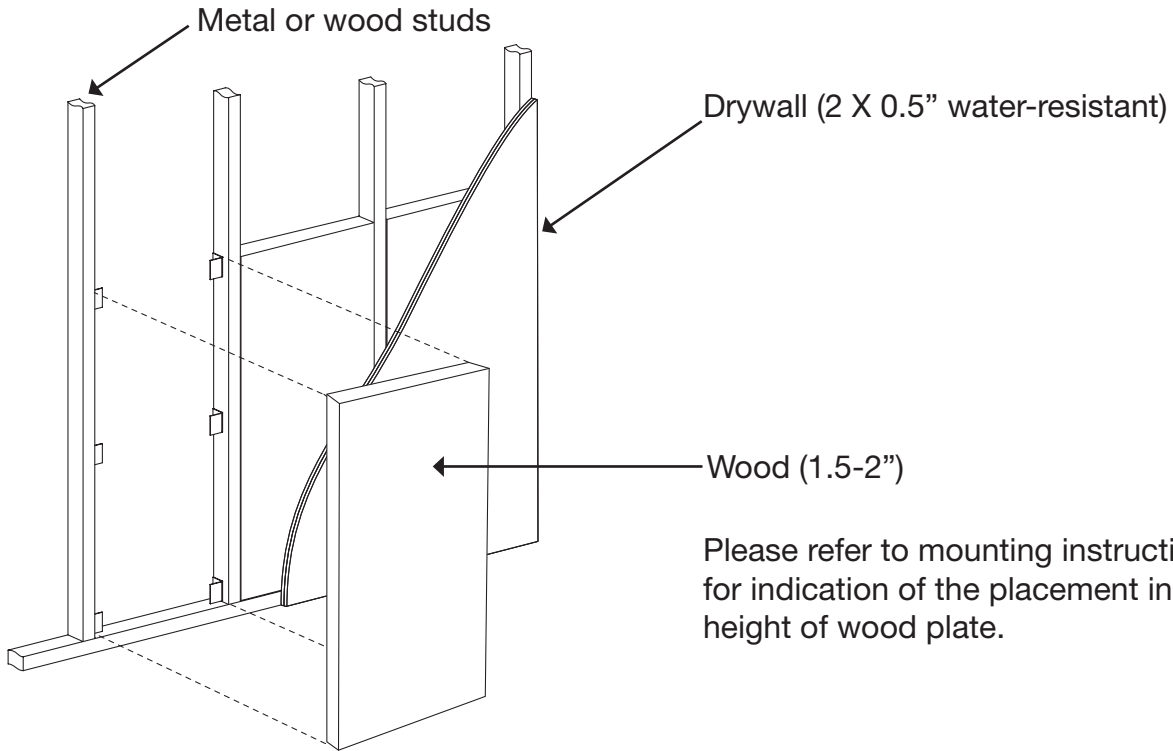
PRESSALIT®

2019-06-07 · 4/7

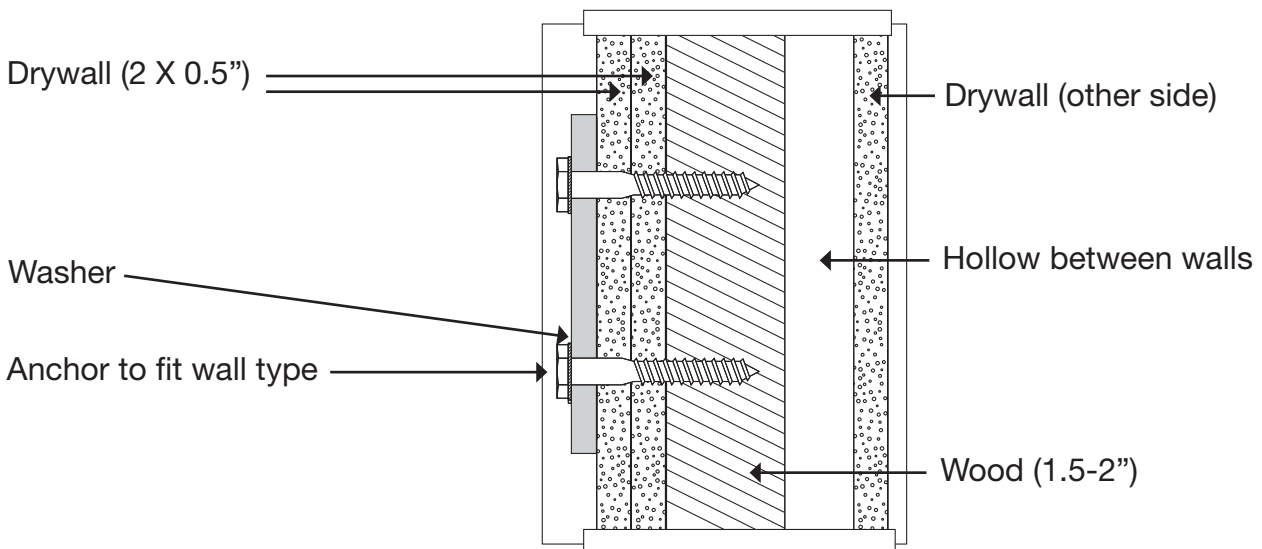
| Drywall<br>(2 X 0.5") water-resistant,<br>re-enforced with wood                | Anchor                 | Maximum load |
|--|------------------------|--------------|
|  | Ø10 x 70/80<br>        | 265 lbs      |
|  | Ø8 x 70/80<br>         | 220 lbs      |
|  | Ø5 x 50<br>            | 88 lbs       |
| Drywall<br>(2 X 0.5") water-resistant,<br>re-enforced with 1" plywood          | Anchor                 | Maximum load |
|  | fischer KD8 toggle<br> | 293 lbs      |
|  | Wingit<br>             | 293 lbs      |
|  | Snaptight<br>          | 293 lbs      |
| Drywall<br>(2 X 0.5") water-resistant,<br>re-enforced with steel plates (0.1") | Anchor                 | Maximum load |
|  | fischer KD8 toggle<br> | 207 lbs      |
|  | Wingit<br>             | 207 lbs      |
|  | Snaptight<br>          | 207 lbs      |
| Drywall<br>(2 X 0.5") water-resistant  | Anchor                 | Maximum load |
|  | fischer KD8 toggle<br> | 187 lbs      |
|  | Wingit<br>             | 187 lbs      |
|  | Snaptight<br>          | 187 lbs      |

## Reinforcement of wall with 1.5-2" wood

Reinforcements of walls should always comply with national standards.

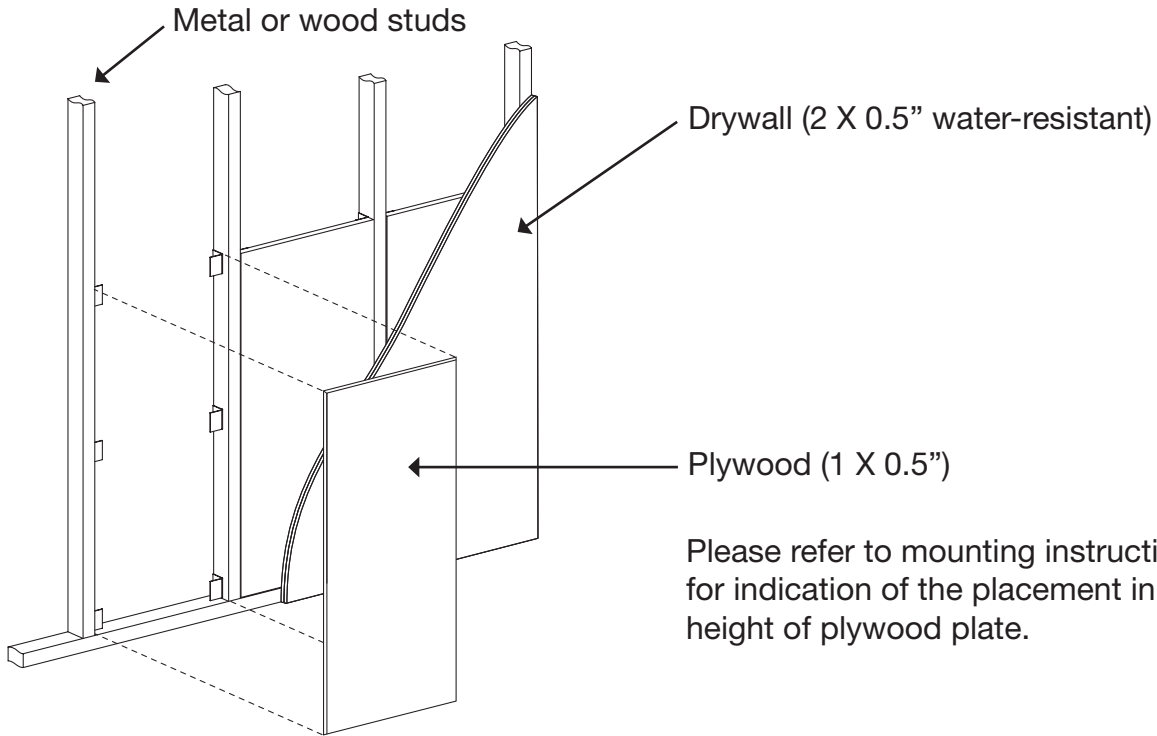


## Wall cross-section

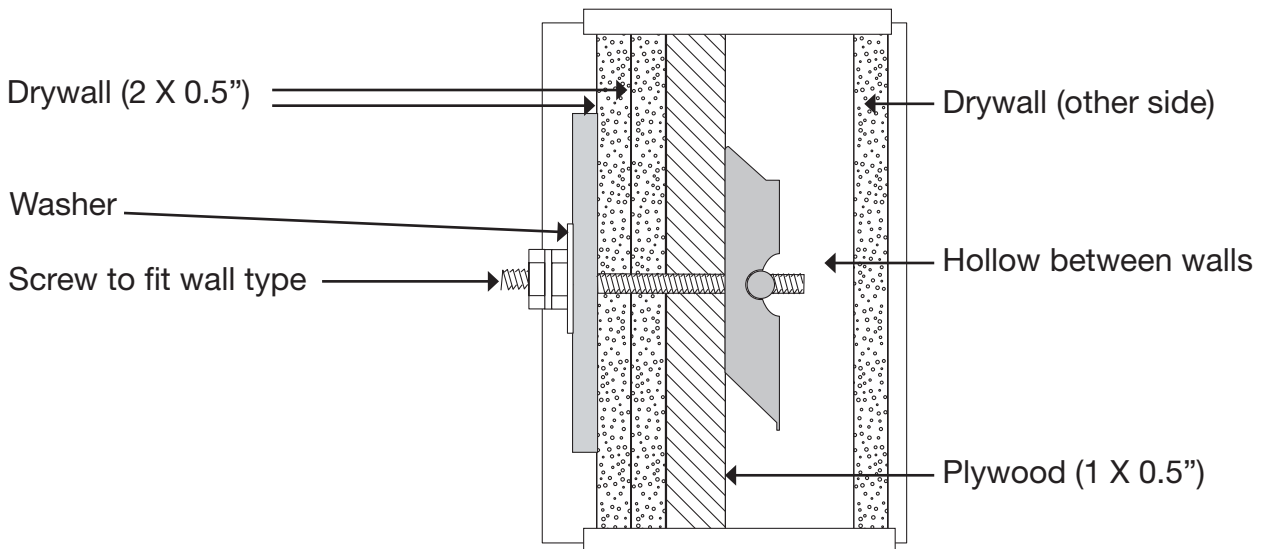


## Reinforcement of wall with plywood

Reinforcements of walls should always comply with national standards.



## Wall cross-section



## Reinforcement of wall with steel

Reinforcements of walls should always comply with national standards.

