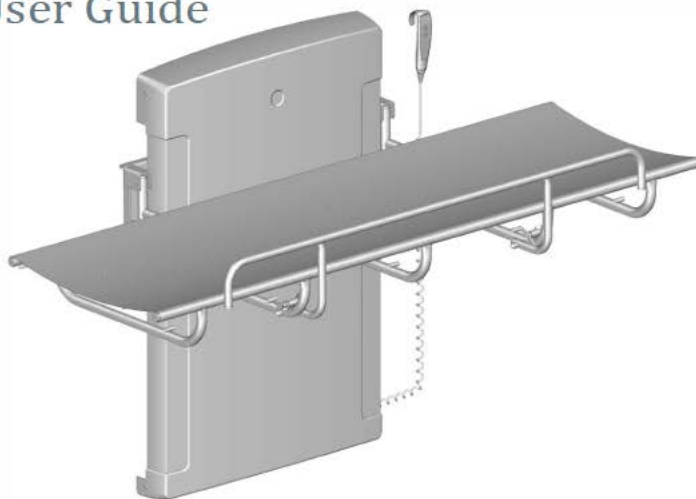




PRESSALIT®



Pressalit 1000
Adjustable Height
Changing Table
User Guide



Child Size

SKU: R8593114000

EAN: 5708590377650

Previous version: R8402

Adult Size

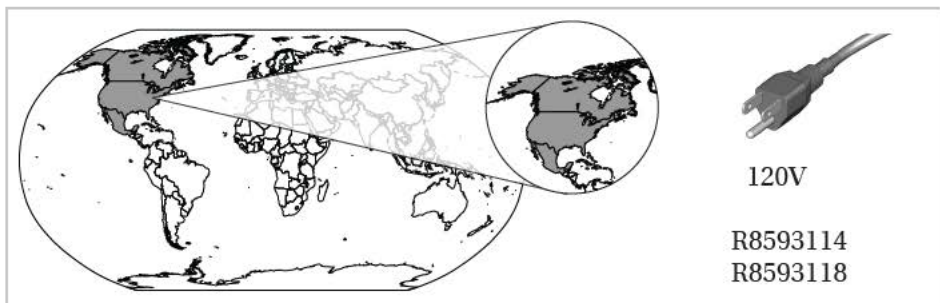
SKU: R8593118000

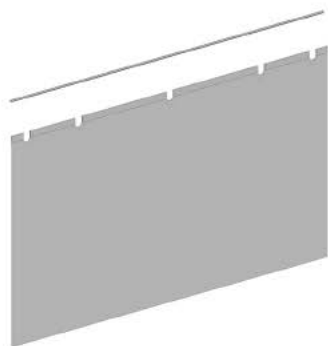
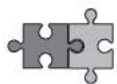
EAN: 5708590377667

Previous version: R8403

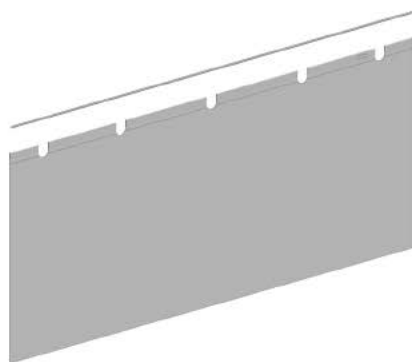


The guarantee covers faults or defects in material or manufacture within a period of 5 years. Products are subject to minor technical modifications and design deviations. E.&O.E.





R8420







R8421



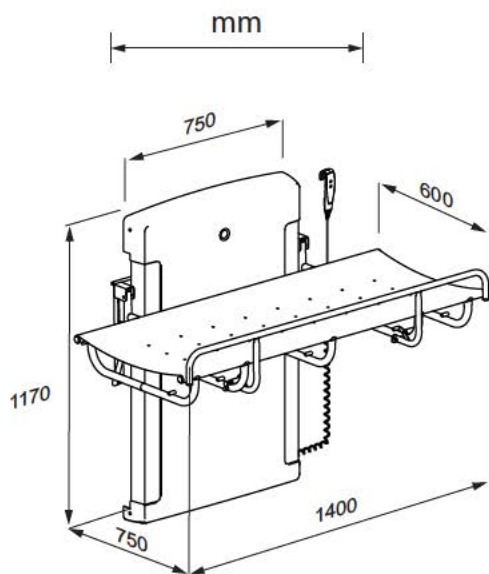
R8491



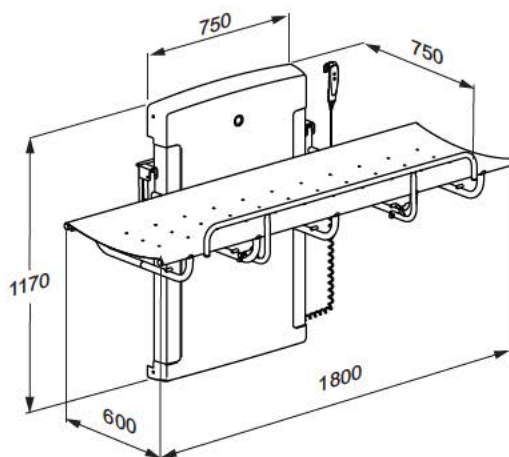
	 	 
Child Size R8573114	44.46 kg, 98.01 lbs	150 kg / 330 lbs
Adult Size R8573118	45.92 kg, 101.23 lbs	



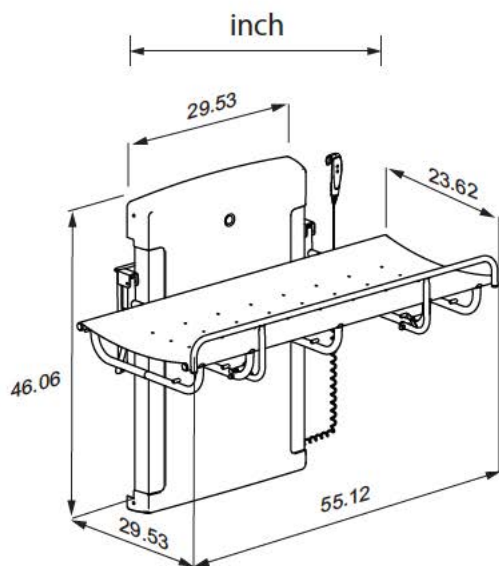
	Max P	U	Max I
R8593114 R8593118	36 W	120V	0.3A



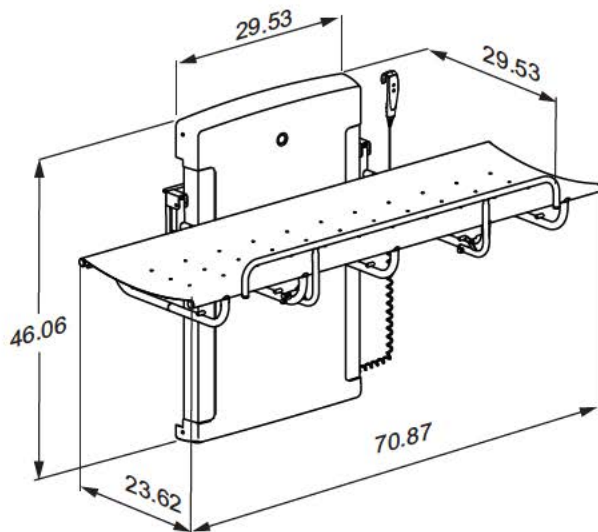
Child Size R8573114



Adult Size R8573118



Child Size R8573114



Adult Size R8573118

Content

Mounting instruction	9
Operational signage	9
Symbols used in this manual	10
General safety	11
Intended use	12
Intended operator profile	12
Intended user profile	12
Operating environment	12
Contraindications for use	12
Biocompatibility	12
Operating instructions	13
Safety rail	14
Height adjustment	15
Cleaning	16
Disinfection	16
Maintenance	17
Maintenance inspection	17
Trouble-shooting	19
Electromagnetic compatibility	19
Electromagnetic immunity	20
Electromagnetic emission	23
Product label	24
Technical data	26
Disposal and recycling	26

Symbols used in this manual

The following symbols are used in this manual as well as the associated documentation supplied with the product.



WARNING indicates a potentially hazardous situation which, if not avoided, could result in death or serious injury.



CAUTION indicates a potentially hazardous situation which, if not avoided, may result in minor or moderate injury. It may also be used to alert against unsafe practices.













IMPORTANT indicates important information about handling and use of the product.



NOTICE is used to address practices not related to personal safety.

en

			
Hand injury warning	Head injury warning	Electricity / voltage warning	Do not leave patient unattended
			
Compatible products	Power specifications	Spare parts	Article number / versions
			
Product weight	Max. user weight		

General safety

WARNING

- Read and understand the manual completely before use. Keep the manual close to the unit.
- Comply with this manual to avoid accidents involving serious personal injury.
- Never use or handle this product in other ways than are specified in this manual, as this can put your safety at risk and cause damage to the product.
- Make sure that everyone who is to install or use the product and its systems has the necessary information and access to this manual.

CAUTION

- Please comply with these instructions to avoid the product becoming damaged or destroyed.
- Do not perform repairs, disassembly, or assembly operations, extensions, re-adjustments or modifications to this product. These must be carried out by Pressalit or by persons authorized by Pressalit only.
- Never allow children to operate this product unless under supervision. The product is not intended for play.
- Never use the product if it is defective or damaged. Do not use a defective product before it has been repaired.

NOTICE

- The information in this manual is based on correct fitting of the product in accordance with our mounting instruction.
- Pressalit cannot be held liable if the product is used in any way which differs from that described in the guide.
- We reserve the right to amend this manual without prior notice.

Intended use

This product is intended for bathing a person who is unable to stand up or sit down. The person is lying horizontally on the shower table.

Intended operator profile

The product is to be used by a person trained in health care and/or trained in washing a person in their care.

Intended user profile

The product can be used by all - adults, children, young, old, whose weight does not exceed the **maximum load of 150 kg / 330 lbs.**

Operating environment

For indoor use in a wet environment, such as a bathroom or wash room. The product is intended to be used at room temperature, in private homes, nursing homes and hospitals under normal working conditions.

Contraindications for use

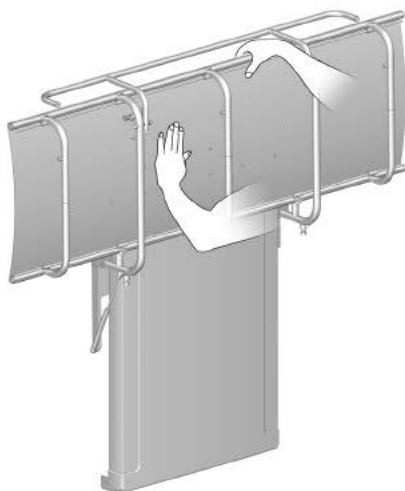
en Use of the change trolley is not recommended for patients with infusion or insulin pump, inflammatory skin diseases or patients in feverish conditions.

Patients with cardiac insufficiency, cardiovascular diseases, craniocerebral injury, open wounds, feed or drain lines (e.g. catheter, drainage tube) may use the change trolley only after consulting with the attending physician.

Biocompatibility

The materials in contact with the skin of the user during the intended use have been evaluated for their content of harmful substances according to the procedures in BS EN ISO 10993-1:2020 Biological evaluation of medical devices – Part 1 and are therefore considered suitable for this purpose.

Operating instructions



Support the shower table using your hand or body when folding it down, to avoid the risk of damage.

The built-in gas cylinder makes it easy to fold the shower table up against the wall after use.



Take care to avoid injury to hands when in the vicinity of closing mechanical parts.



CAUTION

Always be careful when moving a person to and from the shower table.



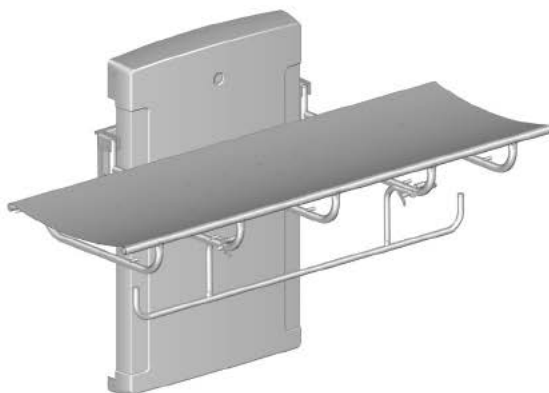
CAUTION

The surface of the product may become hot and / or cold if exposed to external sources of heat or cold (e.g. sunlight or frost).

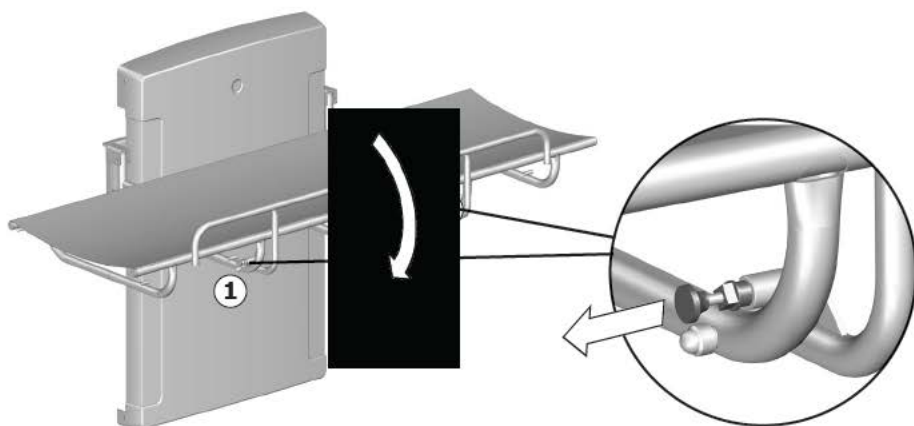
NOTICE

Any serious incident that has occurred in relation to the product should be reported to the manufacturer and the health authorities.

Safety rail



To pull the safety rail up: Swing the rail upwards from under the shower table. The safety rail will automatically lock into position.

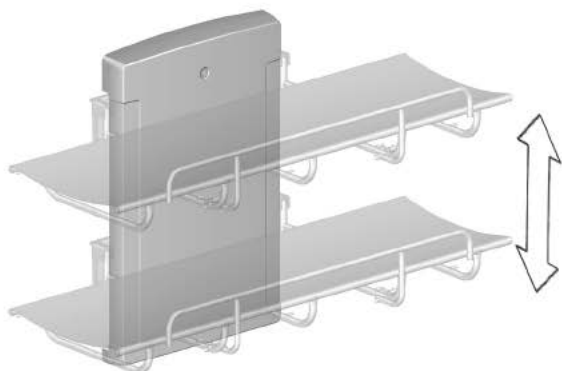


To fold the safety rail away: Release the two locks ① simultaneously and swing the safety rail down under the shower table.



Do not leave the patient unattended.

Height adjustment



When the shower table is installed at the recommended height, it can be adjusted between 480 and 880 mm (18.9" and 34.6") above the floor.

The height adjustment is controlled by the wired remote control unit.



Press and hold the up button to raise the unit. When the button is released, the motion stops.



Press and hold the down button to lower the unit. When the button is released, the motion stops.



To avoid risk of strangulation, make sure that the wired remote control is placed in its holder when not in use.



Take care to avoid injury to hands and head when in the vicinity of moving mechanical parts.

CAUTION

Never place objects underneath the shower table.

Cleaning

CAUTION

Always read the material safety data sheet (MSDS) and supplied instructions of the cleaning, disinfecting or de-scaling agent and comply with instructions for safe use, dilution, rinsing, drying, handling and storage of the agent.

IMPORTANT

- Do not use an autoclave or other type of steam cleaner.
- Avoid aggressive cleaning agents containing acids.
- Never spray the product directly with a high pressure cleaner.
- Avoid use of abrasive, corrosive or chlorine-based cleaning or disinfecting products.

en

Disinfection

When using the shower table for multiple patients, it is necessary to both clean and disinfect the shower table between uses on different patients to prevent the risk of cross infection. A list of suitable disinfectants can be found at pressalit.com.

Maintenance

Expected service life of the shower table is 10 years, provided that maintenance is carried out as described below:

It is recommended on a weekly basis to run the motors on the product to their maximum positions by raising the shower table to its full height, and then lowering it to its lowest position, so that the internal parts are lubricated.

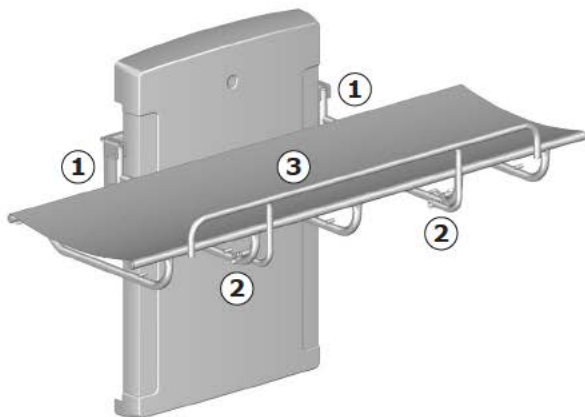
It is recommended that maintenance inspection is done once a year.

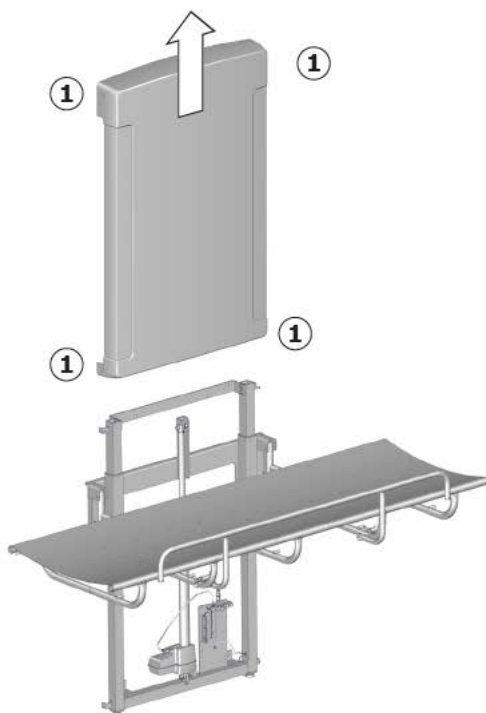


Disconnect mains before removing the covers.

Maintenance inspection

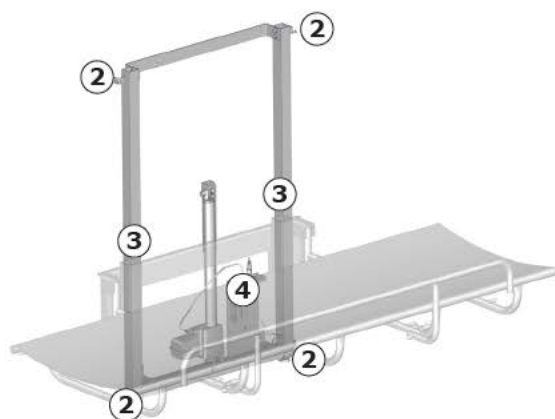
- Check the hinges ① on the shower table and the safety rail ② . Tighten if necessary.
- Check the canvas ③ for damage and replace if necessary.





- Remove the upper and lower retaining screws ① on the cover and remove it carefully.

en



- Check the wall brackets ② and tighten if necessary.
- Oil moving parts, especially the sliding brackets ③.
- Check all electrical connections to the control box ④.
- Put the unit cover back again and tighten the retaining screws.
- Reconnect mains.

Trouble-shooting

Symptom	Cause	Action
The shower table does not stay in upright position.	The gas cylinders are defective.	Contact MAX-Ability.
The product will not work, even though the remote control is used correctly.	Fault in power supply.	Check that all wires and plugs are intact and correctly connected. Contact MAX-Ability.
The shower table runs up and down unevenly.	The sliding brackets are not properly lubricated.	Oil the sliding brackets as described under "Maintenance".

Contact MAX-Ability if the problem cannot be remedied. Do not attempt to repair the product yourself, as this will invalidate the guarantee.

Electromagnetic compatibility

en

The device is suitable for use at home, at daycare centres, at day centres for persons with physical or mental disabilities or at hospitals except near active HF surgical equipment and RF shielded rooms with medical systems for magnetic resonance imaging with high intensity of electromagnetic disturbances.


The device does not have any function related to basic safety or essential performance. In case of loss or degradation of performance due to electromagnetic disturbances, the user can still get on and off the product.


Cable	Length
Power cable	3,2 m (126")
Hand control spiral cable	Approx. 5 m (197") extended

WARNING


- Use of accessories, transducers and cables other than those specified or provided by the manufacturer could result in increased electromagnetic emissions or decreased electromagnetic immunity of this equipment and result in improper function.
- Portable RF communications equipment (including peripherals such as antenna cables and external antennas) should be used no closer than 30 cm (12 inches) to any part of the unit, including its cables, to avoid any degradation of the performance of this unit.
- Use of this equipment adjacent to or stacked with other equipment should be voided because it could result in improper operation. If such use is necessary, this equipment and the other equipment should be observed to verify that they are operating normally.

Electromagnetic immunity


Electrostatic discharge	
	The product must not be affected by electrical discharge between a person and the product in such a way as to initiate actions or render components defective.
Test standard	Immunity test level
EN 61000-4-2	+/- 8 kV contact +/- 2, 4, 8, 15 kV air


Radiated RF electromagnetic field	
	The product must not be affected by radiating RF signals, for example from a mobile phone or radio, that could cause the product to take action or to make components defective.
Test standard	Immunity test level
EN 61000-4-3	15 V/m 80 MHz to 1000 MHz (only on the front) 15 V/m 1.01 GHz to 3 GHz 80 % AM 1 kHz


Immunity to proximity fields from RF wireless communication equipment

	The product must not be affected by radiating RF signals, for example from a mobile phone or radio, that could cause the product to take action or to make components defective.
Test standard	Immunity test level
EN 61000-4-3*	385 MHz, 27V/m, 18 Hz PM (50 % duty cycle square wave) 450 MHz, 28V/m, FM +/- 5 kHz deviation, 1 kHz sine 710 MHz, 9V/m, 217 Hz PM (50 % duty cycle square wave) 745 MHz, 9V/m, 217 Hz PM (50 % duty cycle square wave) 780 MHz, 9V/m, 217 Hz PM (50 % duty cycle square wave) 810 MHz, 28V/m, 18 Hz PM (50 % duty cycle square wave) 870 MHz, 28V/m, 18 Hz PM (50 % duty cycle square wave) 930 MHz, 28V/m, 18 Hz PM (50 % duty cycle square wave) 1720 MHz, 28V/m, 217 Hz PM (50 % duty cycle square wave) 1845 MHz, 28V/m, 217 Hz PM (50 % duty cycle square wave) 1970 MHz, 28V/m, 217 Hz PM (50 % duty cycle square wave) 2450 MHz, 28V/m, 217 Hz PM (50 % duty cycle square wave) 5240 MHz, 9V/m, 217 Hz PM (50 % duty cycle square wave) 5500 MHz, 9V/m, 217 Hz PM (50 % duty cycle square wave) 5785 MHz, 9V/m, 217 Hz PM (50 % duty cycle square wave)


Electrical fast transient/burst


	The product must not be affected by rapid pulse signals through the cord. This could cause the components to become defective, or the product could initiate actions.
Test standard	Immunity test level
EN 61000-4-4	+/- 1 kV , +/- 2 kV 100 kHz repetition frequency

Surge immunity	
	The product must not be affected to initiate actions or to render components defective as a result of lightning.
Test standard	Immunity test level
EN 61000-4-5	Line-to-line: +/- 0.5 kV, +/-1 kV Line-to-ground: +/- 0.5 kV, +/-1 kV, +/- 2 kV


Immunity to conducted disturbances induced by RF fields	
	The wires must not be affected by other RF fields so as to initiate actions or render components defective.
Test standard	Immunity test level
EN 61000-4-6	3 V (6 V in ISM bands and amateur radio bands) 0,15 to 80 MHz, 80 % AM at 1 kHz


en


Voltage dips	
	The product must not initiate or limit actions as a result of a dip in the power supply.
Test standard	Immunity test level
EN 61000-4-11	0 % U_T ; 0.5 cycle at 0°, 45°, 90°, 135°, 180°, 225°, 270° and 315°, 0 % U_T ; 1 cycle at 0°, 70 % U_T ; 25 cycles at 0° Single phase at 0°


Voltage interruptions	
	The product must not initiate or limit actions as a result of a short-term power supply stop.
Test standard	Immunity test level
EN 61000-4-11	0 % U_T ; 300 cycle

Electromagnetic emission

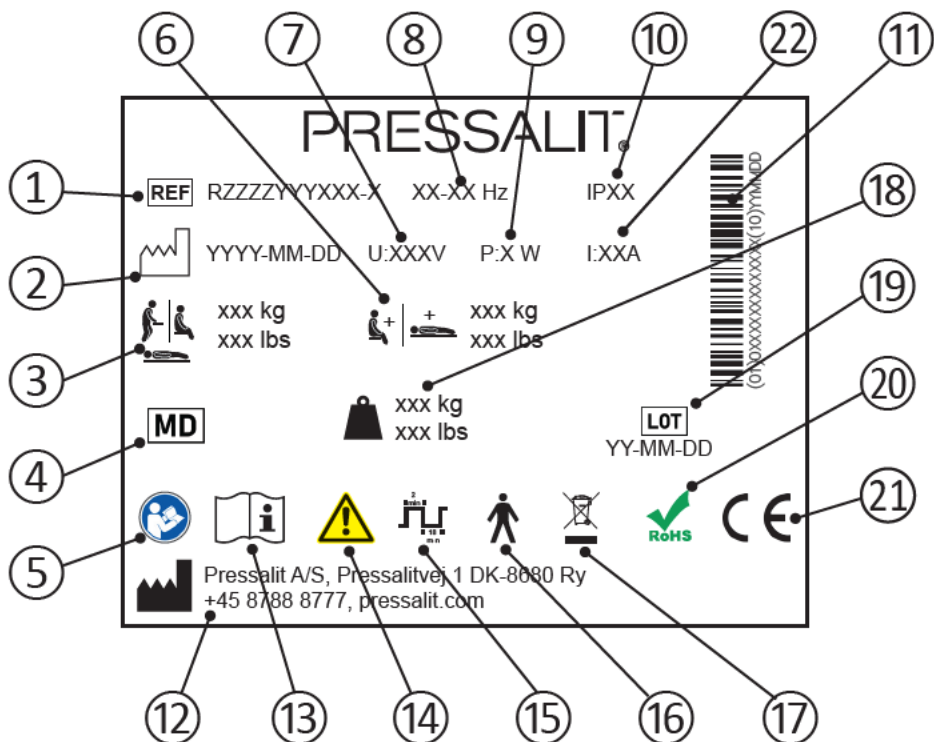
Conducted RF emission	
	The product must not send too much noise into the grid. This could lead to a disruption of other products.
Test standard	Emission test class and group
EN 55011	Class B, group 1

Radiated RF emission	
	The product must not emit RF signals in the room. This could lead to a disruption of other products.
Test standard	Emission test class and group
EN 55011	Class B, group 1

Harmonic current emissions	
	The product must not unintentionally draw power from the grid.
Test standard	Emission test class and group
IEC 61000-3-2	Class A

Voltage changes, voltage fluctuations and flicker	
	The product must not affect other products when it is connected to the grid. For example, these could be lights that could start flashing and thus bother people in the room.
Test standard	Emission test class and group
EN 61000-3-3	Tested according to the standard.

Product label



- ① Article number

- ② Production date

- ③ Maximum user weight

- ④ Medical device

- ⑤ Consult manual for use

- ⑥ Max load

- ⑦ Mains voltage

- ⑧ Frequency

- ⑨ Maximum power consumption

⑩ IP class

⑪ GS1-128 barcode

⑫ Name and address of manufacturer

⑬ Consult manual for use

⑭ Consult the manual for important cautionary information such as warnings and precautions

⑮ Duty cycle

⑯ Type B applied part Part of the product in normal use necessarily comes into physical contact with the patient to perform its function
The product complies with requirements of IEC 60601-1 to provide protection against electric shock

⑰ Do not dispose as unsorted municipal waste. The product should be collected separately and returned to the designated recycling service.

⑱ Product weight

⑲ Batch code

⑳ This product does not contain any of the hazardous substances mentioned in the Council Directive 2011/65/EC on RoHS.

These products are CE-marked in accordance with relevant requirements in:

- ㉑
- Regulation (EU) 2017/745 (5 April 2017) on medical devices.
 - Council Directive 2006/42/EC (of 17 May 2006) on machinery.
 - Council Directive 2011/65/EC (of 8 June 2011) on RoHS.

A declaration of conformity can be found at pressalit.com

㉒ Electric Current

Technical data

Materials	Powder laquered stainless steel Plastics: PVC (canvas) Polystyrene (cover)
IP class	The product has an ingress protection class rating of IPX6. The product may not be immersed in water, but is designed to withstand powerful jets (12.5 mm nozzle) of water from any direction.

Disposal and recycling

The unit contains reusable materials. There are no known hazards or risks associated with disposal of the product. All components can be discarded after having been cleaned and disinfected.

When disposing of the product, we recommend that it be disassembled and broken down into different waste groups for recycling or combustion.

en The following table provides information on the recycling and handling of the product.

Recyclable components	Material
Steel	Steel can be recycled by being re-melted and included as a secondary material in the production of new steel.
Plastics	Use plastic sorting and recycling systems where they are locally available, otherwise incinerating plastic has the added benefit of generating energy which can be used for, for example, combined heat and power production.
Electronics	The electronic components should be collected separately and returned to the designated recycling service.