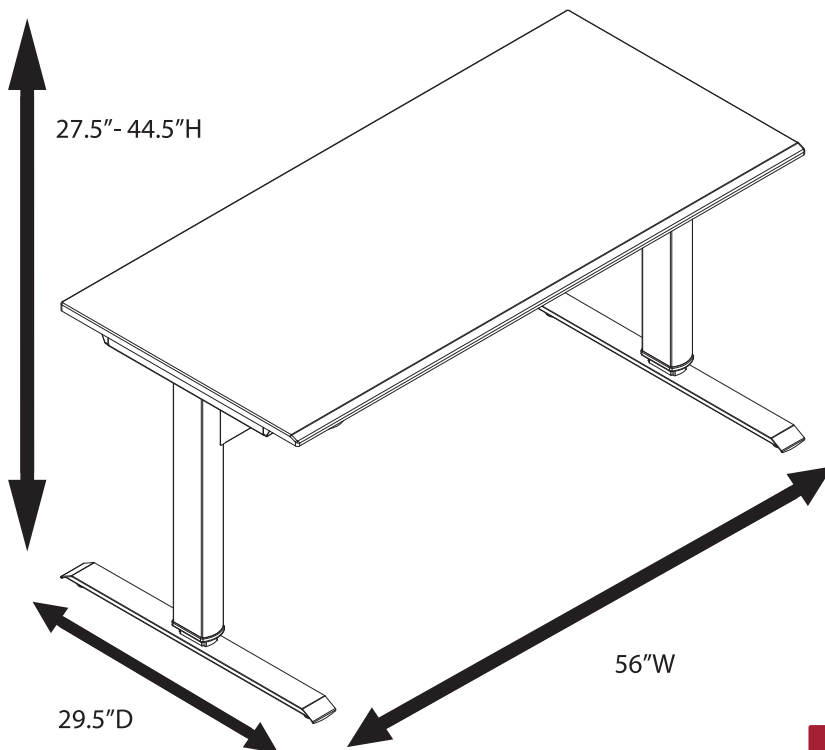


SPN56F-BK/TK - 56" PNEUMATIC ADJUSTABLE HEIGHT DESK

Product Specifications:

| | |
|-------------------------------------|--|
| Item Number | SPN56F-BK/TK |
| Dimensions | 56"W x 29.5"D x 27.5" - 44.5"H |
| Weight | 68 lbs. |
| Desktop Make | MDF w/PVC Film |
| Desktop Dimensions | 56"W x 29.5"D x 0.71"H |
| Desktop Finish | Teak |
| Frame Make & Finish | Black powder coated steel with clear anodized inner leg |
| Foot Type | Chrome glides; Quantity 4 |
| Height Adjustment Mechanism | Pneumatic Lever; Black |
| Height Adjustment Increments | Anywhere between 27.5" - 44.5"H |
| Weight Capacity | 150 lbs. |
| Meets ANSI/BIFMA | Yes |
| Shipping Method | Ground |
| Shipping Carton Dims | Carton 1: 63"W x 23"D x 7"H Carton 2: 61"W x 31"D x 3"H |
| Shipping Weight | Carton 1: 53 lbs. Carton 2: 38 lbs. |
| Assembly Required | Yes |



**To Order, Call Your
Sales Representative
or 800-323-4656**

LUXOR

INNOVATIVE WORKSPACE PRODUCT SOLUTIONS