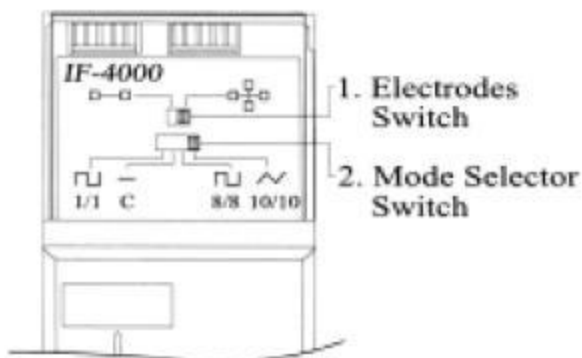
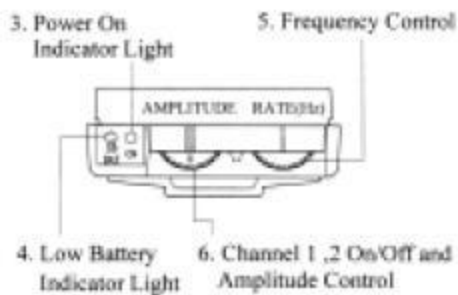


- ◆ Dual channel
- ◆ Multi-mode Selector Switch
- ◆ Electrode Switch
- ◆ Power-on Indicator Light
- ◆ Low Battery Light
- ◆ Frequency Control
- ◆ Amplitude Control
- ◆ System Includes: Stimulator, Lead Wires (New FDA compliant), 4 Self-stick Hypoallergenic Reuseable Electrodes, 9 Volt Battery, Hard Plastic Carrying case, Instruction Booklet, 120 Volt adapter:



TECHNICAL SPECIFICATION

IF-4000

Carrier Frequency:	(4000 +/- 10%) Hz, fixed.
Difference Frequency:	(1 +/- 0.5) - (150 +/- 10%) Hz, adjustable
Output Voltage:	(16 +/- 2.5) Volts. (500 ohm Loading)
Waveform:	Symmetric biphasic square.
Pulse Width:	(125 +/- 10%) microseconds for each phase.
Power Source:	9V alkaline battery or adaptor
Four Frequency Shift:	Continuous, 1/1 abrupt, 8/8 abrupt, 10/10 ramped Options.