

BESTLIFT®

PL600 | FULL BODY PATIENT LIFT

The BestLift® PL600 is one of the latest ProCare products. Ergonomically designed to reduce and eliminate back injuries among professional caregivers. Providing comfort and dignity for users.



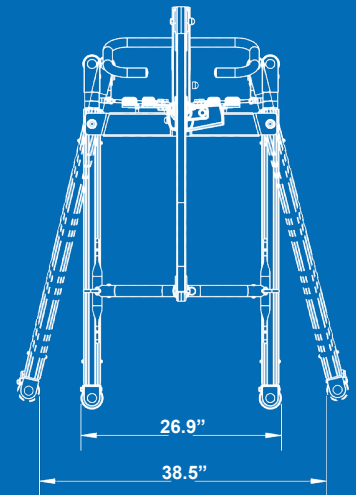
- **600lb** capacity
- Lift from floor and over high beds
- 6-point spreader bar for extra comfort
- Full electric lift with optional spare battery
- Reinforced Foot Pedal
- Optional scale.

| DIMENSIONS

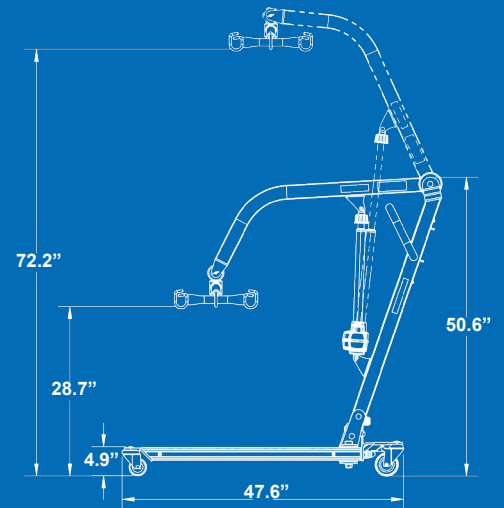
| Key dimensions of PL600 | |
|--|----------------|
| maximum capacity | 600Lb / 273 Kg |
| external base width (closed) | 26.4" |
| internal leg width (opened) | 39.2" |
| upright mast height | 51.3" |
| overall base length | 47.3" |
| base height | 4.9" |
| minimum lifting height with spreader bar | 26.3" |
| maximum lifting height with spreader bar | 68.7" |
| net weight | 123lb / 56kgs |
| shipping weight | 139lb / 63kgs |

* SPECIFICATIONS PROVIDED ARE A GENERAL GUIDELINE AND ARE SUBJECT TO CHANGE WITHOUT NOTICE

| PL600



TOP VIEW OF PL600



SIDE VIEW OF PL600