

# 400-FD-RH-3222-PW3

## L-SHAPED RIGHT HAND FOLD DOWN SHOWER SEAT W/LEG SUPPORT

# VERSABLE VERSABLE DESIGNS

### Construction

- 304-SS Frame
- Phenolic Top
- 3" Seat Slats

### Benefits

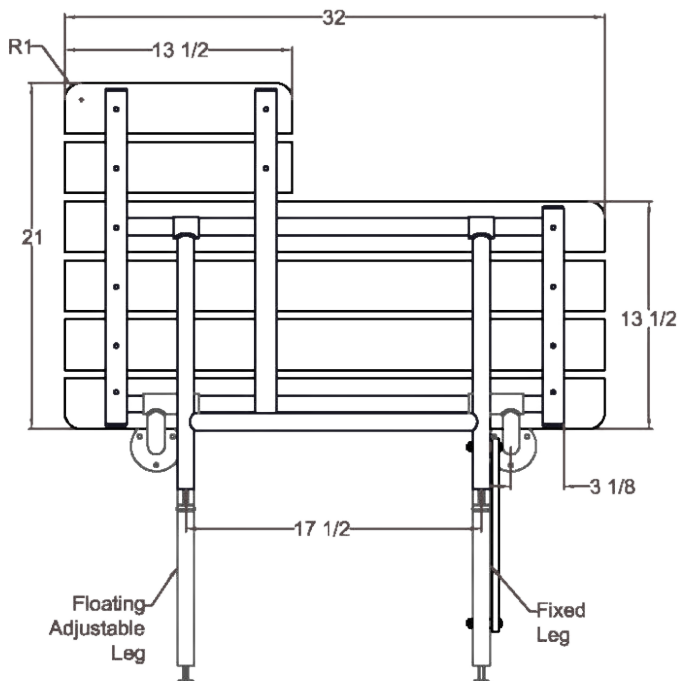
- ADA Compliant
- Supports 500 lbs with proper installation
- Adjustable feet
- Easily folds up out of the way when not in use
- No assembly required

### Installation

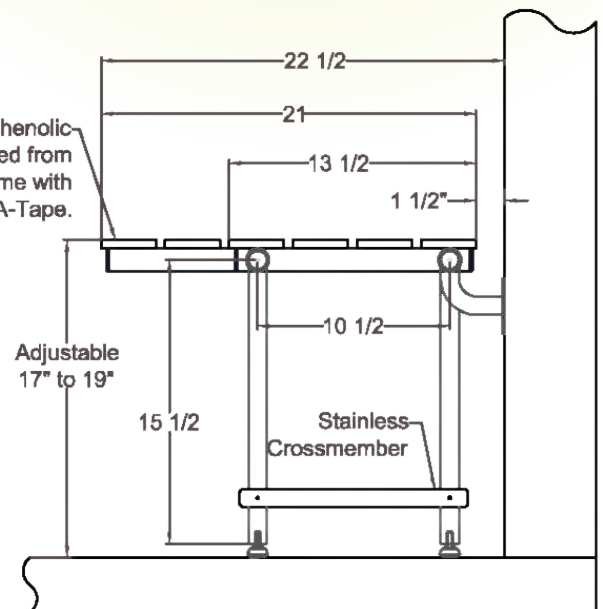
- Use frame to mark holes
- Use 304-SS screws to secure into wood blocking
- Adjust feet to proper height
- Installation hardware included



32" x 22"



1/2" Thick White Phenolic Seat Slats. Attached from underside of frame with screws and SEA-Tape.



ENABLING  
INDEPENDENCE