

400-FD-LH-2622-PW3

L-SHAPED LEFT HAND FOLD DOWN SHOWER SEAT W/LEG SUPPORT

VERSABLE VERSABLE DESIGNS

Construction

- 304-SS Frame
- Phenolic Top
- 3" Seat Slats

Benefits

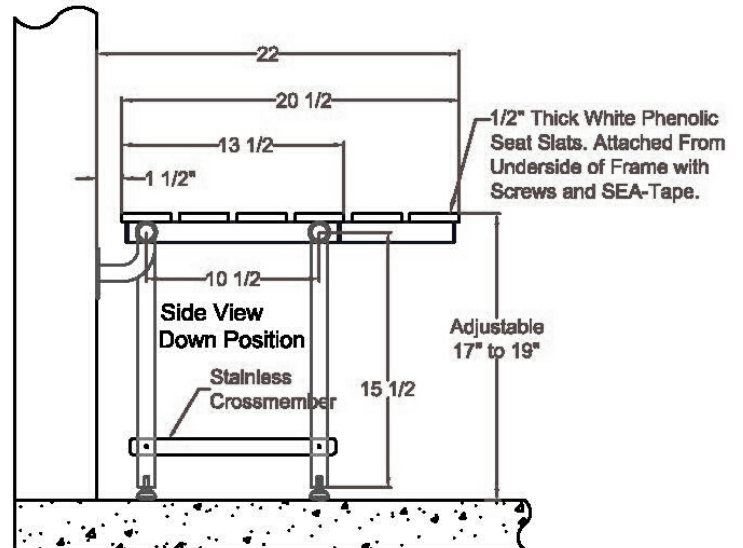
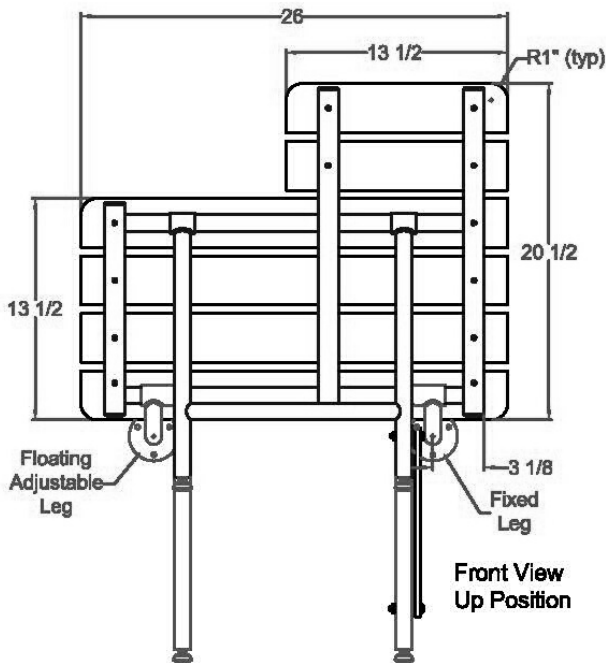
- ADA Compliant
- Supports 500 lbs with proper installation
- Adjustable feet
- Easily folds up out of the way when not in use
- No assembly required

Installation

- Use frame to mark holes
- Use 304-SS screws to secure into wood blocking
- Adjust feet to proper height
- Installation hardware included



26" x 22"



ENABLING
INDEPENDENCE