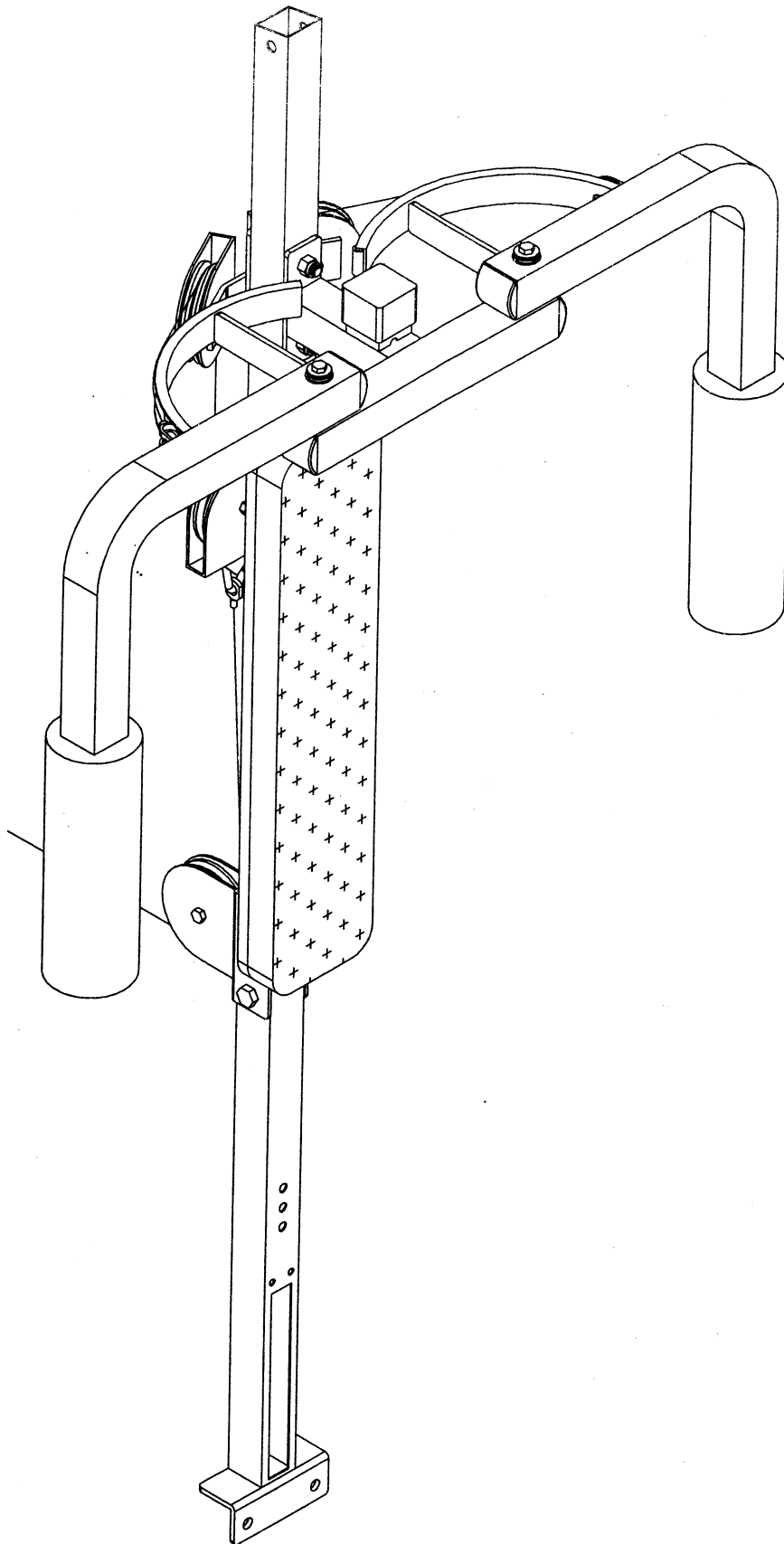


GPA-3

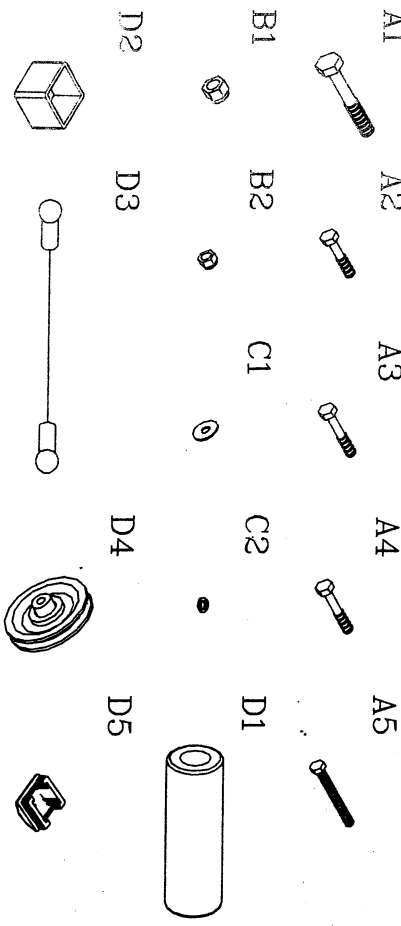


VERSION 0506

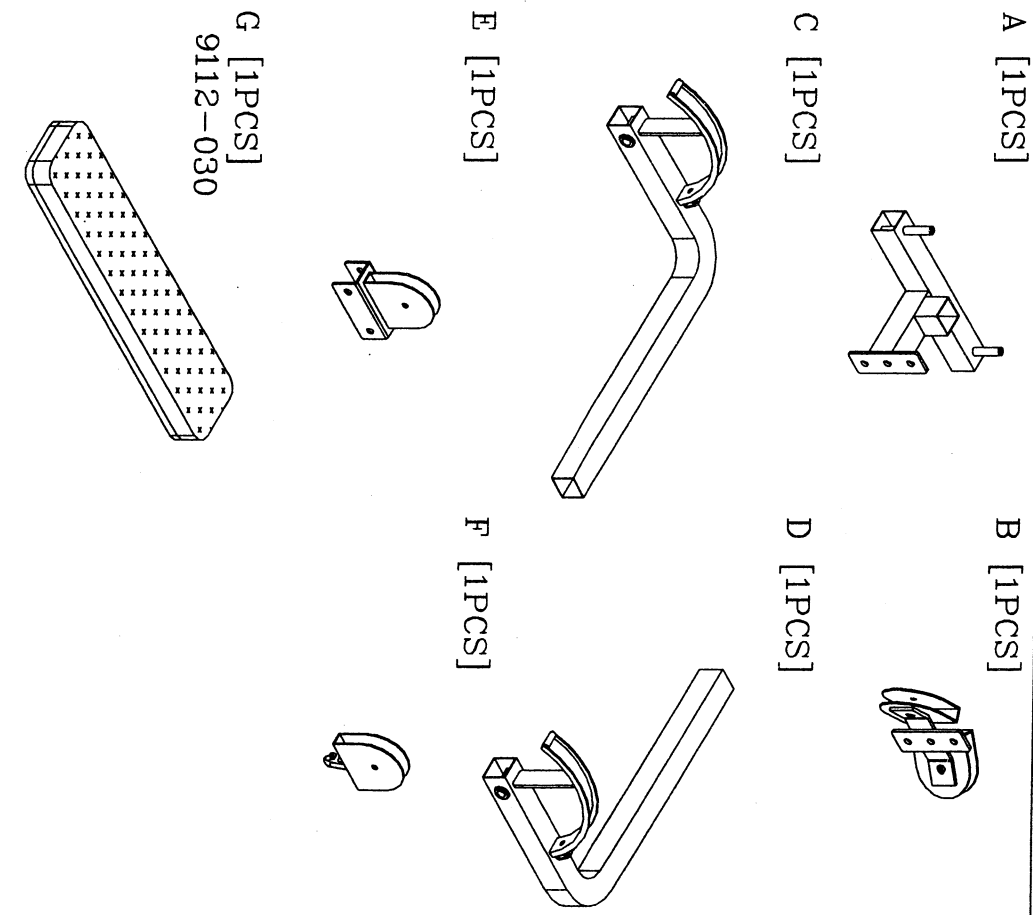
GPA-3

HARDWARE ILLUSTRATION SHEET

Part No.	Description	Qty.
A1.	M12X75 HEX HEAD BOLT	[2PCS]
A2.	M12X70 HEX HEAD BOLT	[2PCS]
A3.	M10X45 HEX HEAD BOLT	[2PCS]
A4.	M10X40 HEX HEAD BOLT	[2PCS]
A5.	5/16"X2 3/4" HEX HEAD PAD BOLT	[2PCS]
B1.	M12 NYLON LOCK NUT	[4PCS]
B2.	M10 NYLON LOCK NUT	[4PCS]
C1.	5/16" (1D) WASHER	[2PCS]
C2.	5/16" (1D) SPRING WASHER	[2PCS]
D1.	FOAM ROLLER (9161-011)	[2PCS]
D2.	2"X2" PLASTIC COVER (9310-020)	[1PCS]
D3.	1980mm STEEL CABLE	[1PCS]
D4.	PULLEY WHEEL (9213-002)	[4PCS]
D5.	2"X2" END CAP (9211-087)	[6PCS]



PARTS ILLUSTRATION SHEET



A [1PCS]

B [1PCS]

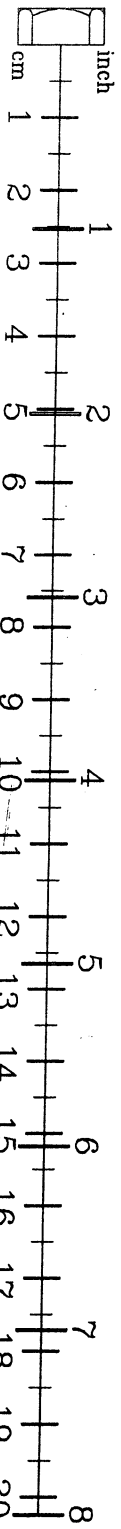
C [1PCS]

D [1PCS]

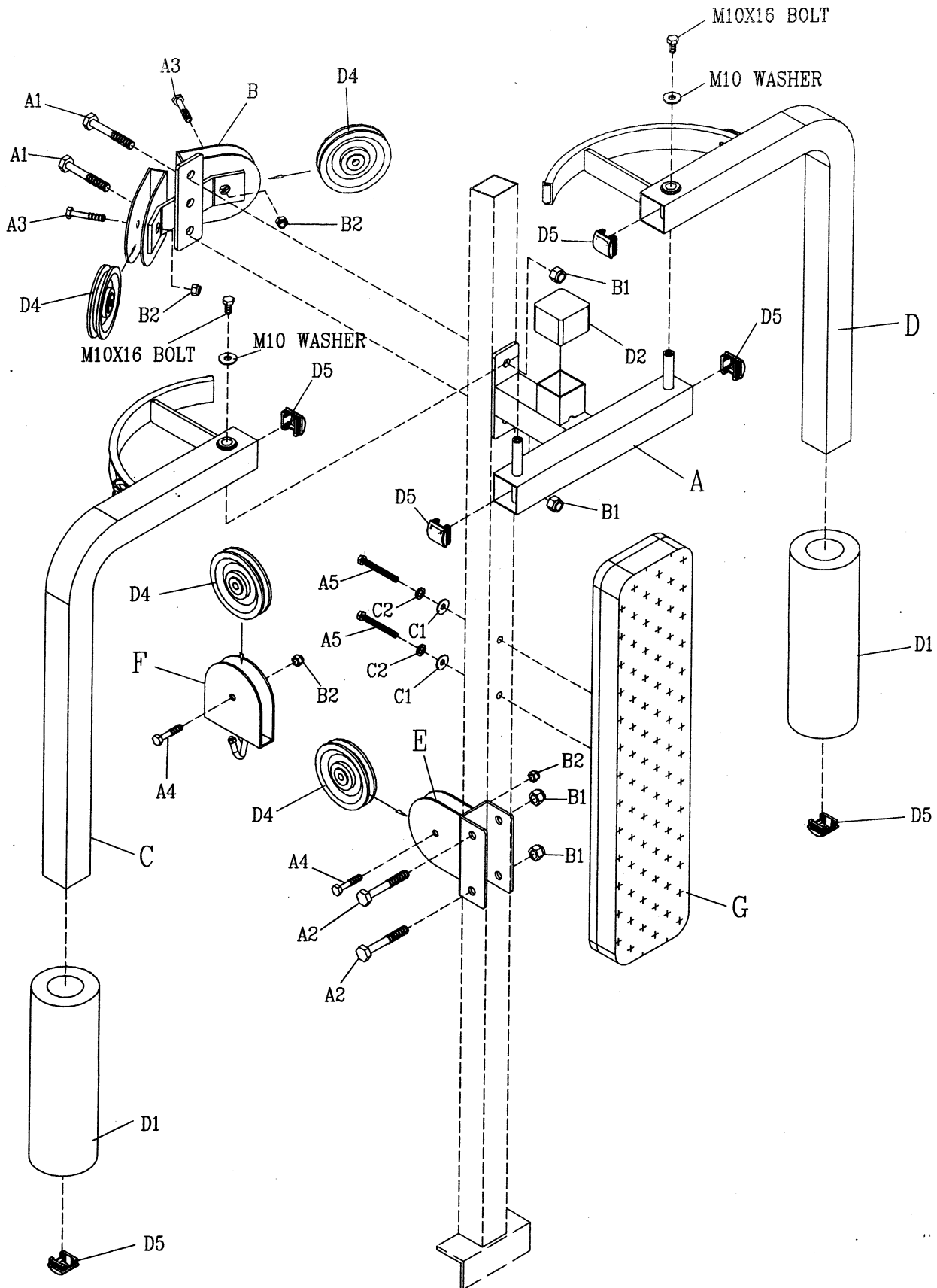
E [1PCS]

F [1PCS]

G [1PCS]
9112-030



GPA-3



GPA-3

