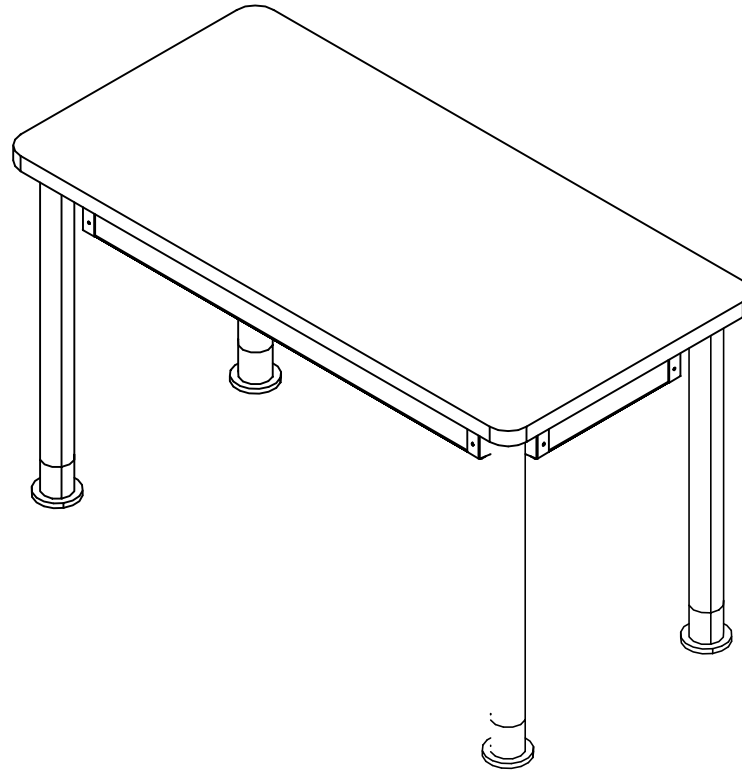


UPLIFT! HYBRID TABLE W/ ADJUSTABLE LEGS

P8 SERIES TABLES ASSEMBLY INSTRUCTIONS



NOTE:

1. MODEL VIEWS MAY NOT REPRESENT EXACT MODEL PURCHASED

| | | | | |
|---|---------|-----|-----------|---------|
| ALL DIMENSIONS ARE IN INCHES UNLESS NOTED OTHERWISE | DWN BY: | EMR | DATE DWN: | 2/10/21 |
| DECIMALS: X = ± .030 | APR BY: | | DATE APR: | |
| XX = ± .020 | APR BY: | | DATE APR: | |
| XXX = ± .010 | APR BY: | | DATE APR: | |
| ANGLES: = ± 1° | | | | |
| CABINET SQUARENESS = ± .0625 | | | | |



CONFIDENTIAL:
ALL DESIGN RIGHTS RESERVED
THE INFORMATION, DATA, DESIGN, AND DRAWINGS EMBODIED IN THIS DOCUMENT AND ALL REPRODUCTIONS THEREOF ARE THE EXCLUSIVE PROPERTY OF DIVERSIFIED WOODCRAFTS, INC.

TITLE:
**UPLIFT! HYBRID TABLE W/ ADJUSTABLE LEGS
ASSEMBLY INSTRUCTIONS**

THESE DOCUMENTS ARE SUPPLIED WITH THE UNDERSTANDING THAT THEY WILL NOT BE DISCLOSED TO THIRD PARTIES WITHOUT WRITTEN CONSENT OF DIVERSIFIED WOODCRAFTS, INC. ANY REPRODUCTION IN PART OR WHOLE WITHOUT WRITTEN CONSENT IS SUBJECT TO LEGAL ACTION.

| | | | |
|------------------|--------|--------|-----------|
| DRAWING NUMBER: | SCALE: | SHEET: | REVISION: |
| P8 SERIES TABLES | NTS | 1 OF 6 | REV A |

| REV. | DESCRIPTION | DATE | NAME | ECN NO. |
|----------------|-------------------------------|---------|------|---------|
| A | CREATED ASSEMBLY INSTRUCTIONS | 2/10/21 | EMR | - |
| REVISION LEVEL | | | | |

TOOLS REQUIRED

#3 PHILLIPS SCREW DRIVER

#3 SQUARE HEAD - OPTIONAL


ASSEMBLY COMPONENTS

| ITEMS INCLUDED | PART # | PART DESCRIPTION | QTY |
|----------------------------|--------|---|-----|
| TOP ASSEMBLY | N/A | TOP ASSEMBLY (FACTORY ASSEMBLED) | 1 |
| LEG | 100677 | KOYO ADJ. LEG SET,SILVER | 4 |
| LEG SPACER | 100678 | KOYO ADJ. LEG SPACER | 4 |
| LEG LEVELER | 100679 | KOYO ADJ. LEG LEVELER,90MM | 4 |
| SCREWS - LEGS (3/4" TOP) | 252683 | SCREW,#12.00X5/8 PHIL PAN HEAD SM | 24 |
| SCREWS - LEGS (1 1/4" TOP) | 214647 | SCREW,#12X1 1/8" PHIL PAN HEAD SMS ZINC | 24 |

NOTE:

1. COMPONENTS VARY WITH STYLE OF TABLE PURCHASED.
 - 1.1. TOP SELECTIONS:
 - 1.1.1. CHEMGUARD, PHENOLIC, OR COLORED HPL.
 - 1.2. SIZES OF TABLE:
 - 1.2.1. WIDTH = 48", 54", 60", OR 72"; DEPTH = 24" OR 30"

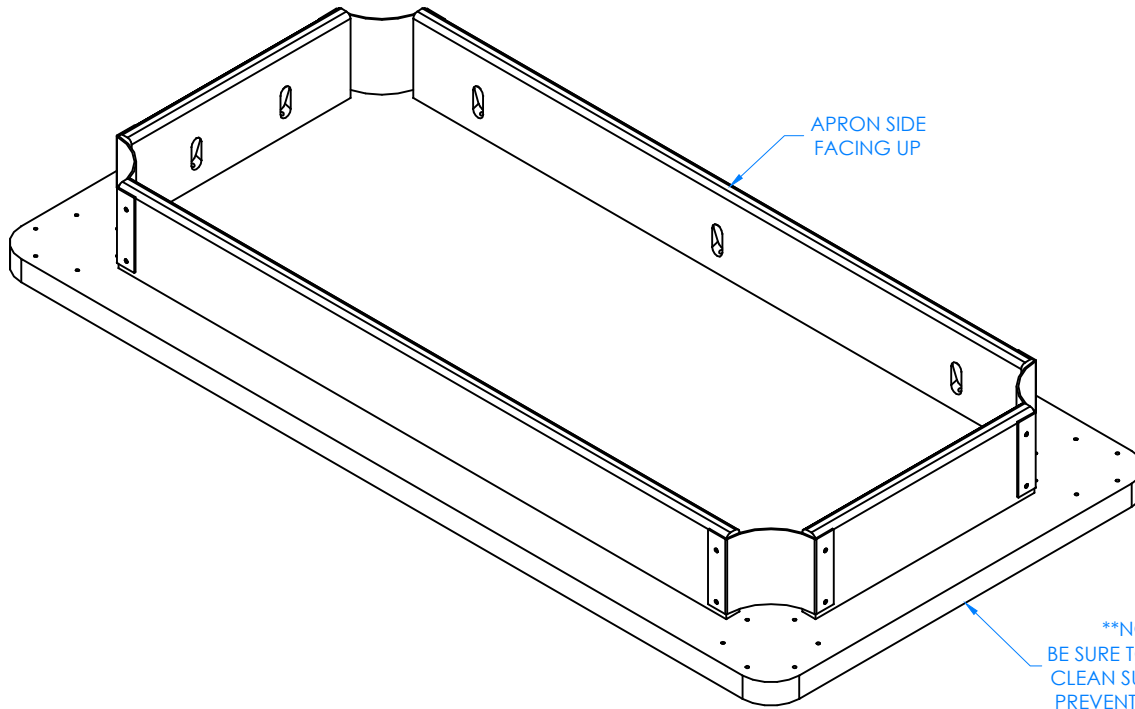
| | | | | | |
|--|--|---------|-----|-----------|---------|
| ALL DIMENSIONS ARE IN INCHES UNLESS NOTED OTHERWISE | | DWN BY: | EMR | DATE DWN: | 2/10/21 |
| DECIMALS: .X = ± .030 .XX = ± .020 .XXX = ± .010 | | APR BY: | | DATE APR: | |
| ANGLES: = ± 1° CABINET SQUARENESS = ± .0625 | | APR BY: | | DATE APR: | |
| CONFIDENTIAL: ALL DESIGN RIGHTS RESERVED THE INFORMATION, DATA, DESIGN, AND DRAWINGS EMBODIED IN THIS DOCUMENT AND ALL REPRODUCTIONS THEREOF ARE THE EXCLUSIVE PROPERTY OF DIVERSIFIED WOODCRAFTS, INC. | | | | | |
| THESE DOCUMENTS ARE SUPPLIED WITH THE UNDERSTANDING THAT THEY WILL NOT BE DISCLOSED TO THIRD PARTIES WITHOUT WRITTEN CONSENT OF DIVERSIFIED WOODCRAFTS, INC. ANY REPRODUCTION IN PART OR WHOLE WITHOUT WRITTEN CONSENT IS SUBJECT TO LEGAL ACTION. | | | | | |



TITLE:
**UPLIFT! HYBRID TABLE W/ ADJUSTABLE LEGS
 TOOLS AND ASSEMBLY COMPONENTS**

DRAWING NUMBER: **P8 SERIES TABLES** SCALE: **NTS** SHEET: **2 OF 6** REVISION: **REV A**

| A | CREATED ASSEMBLY INSTRUCTIONS | 2/10/21 | EMR | - |
|----------------|-------------------------------|---------|------|---------|
| REV. | DESCRIPTION | DATE | NAME | ECN NO. |
| REVISION LEVEL | | | | |



STEP 1:

- INSPECT ALL COMPONENTS FOR SHIPPING DAMAGE.
- LAY TOP ASSEMBLY ON FLOOR WITH APRON SIDE FACING UP.


NOTE:

1.

| | | | | |
|---|---------|-----|-----------|---------|
| ALL DIMENSIONS ARE IN INCHES UNLESS NOTED OTHERWISE | DWN BY: | EMR | DATE DWN: | 2/10/21 |
| DECIMALS: $\frac{1}{16} = \pm .030$ | APR BY: | | DATE APR: | |
| XX = $\pm .020$ | APR BY: | | DATE APR: | |
| XXX = $\pm .010$ | APR BY: | | DATE APR: | |
| ANGLES: $\pm 1^{\circ}$ | APR BY: | | DATE APR: | |
| CABINET SQUARENESS: $\pm .0625$ | APR BY: | | DATE APR: | |

CONFIDENTIAL:
 ALL DESIGN RIGHTS RESERVED
 THE INFORMATION, DATA, DESIGN, AND DRAWINGS EMBODIED IN THIS DOCUMENT AND ALL REPRODUCTIONS THEREOF ARE THE EXCLUSIVE PROPERTY OF DIVERSIFIED WOODCRAFTS, INC.

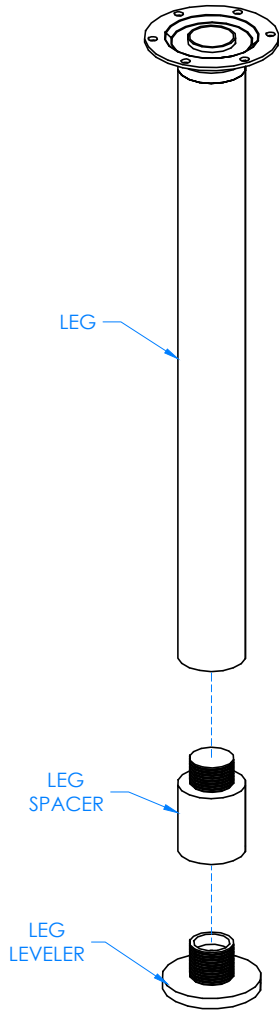
THESE DOCUMENTS ARE SUPPLIED WITH THE UNDERSTANDING THAT THEY WILL NOT BE DISCLOSED TO THIRD PARTIES WITHOUT WRITTEN CONSENT OF DIVERSIFIED WOODCRAFTS, INC. ANY REPRODUCTION IN PART OR WHOLE WITHOUT WRITTEN CONSENT IS SUBJECT TO LEGAL ACTION.



TITLE:
UPLIFT! HYBRID TABLE W/ ADJUSTABLE LEGS ASSEMBLY INSTRUCTIONS

| | | | |
|-------------------------|--------|--------|-----------|
| DRAWING NUMBER: | SCALE: | SHEET: | REVISION: |
| P8 SERIES TABLES | NTS | 3 OF 6 | REV A |

| REV. | DESCRIPTION | DATE | NAME | ECN NO. |
|----------------|-------------------------------|---------|------|---------|
| A | CREATED ASSEMBLY INSTRUCTIONS | 2/10/21 | EMR | - |
| REVISION LEVEL | | | | |



STEP 2:

- SCREW LEG SPACERS INTO BOTTOM OF ADJUSTABLE LEGS.
- SCREW LEG LEVELERS INTO BOTTOM OF LEG SPACERS.

NOTE:

1.

| | | | | |
|---|---------|-----|-----------|---------|
| ALL DIMENSIONS ARE IN INCHES UNLESS NOTED OTHERWISE | DWN BY: | EMR | DATE DWN: | 2/10/21 |
| DECIMALS: .X = ± .030 | APR BY: | | DATE APR: | |
| .XX = ± .020 | APR BY: | | DATE APR: | |
| .XXX = ± .010 | APR BY: | | DATE APR: | |
| ANGLES: = ± 1° | APR BY: | | DATE APR: | |
| CABINET SQUARENESS: = ± .0625 | APR BY: | | DATE APR: | |



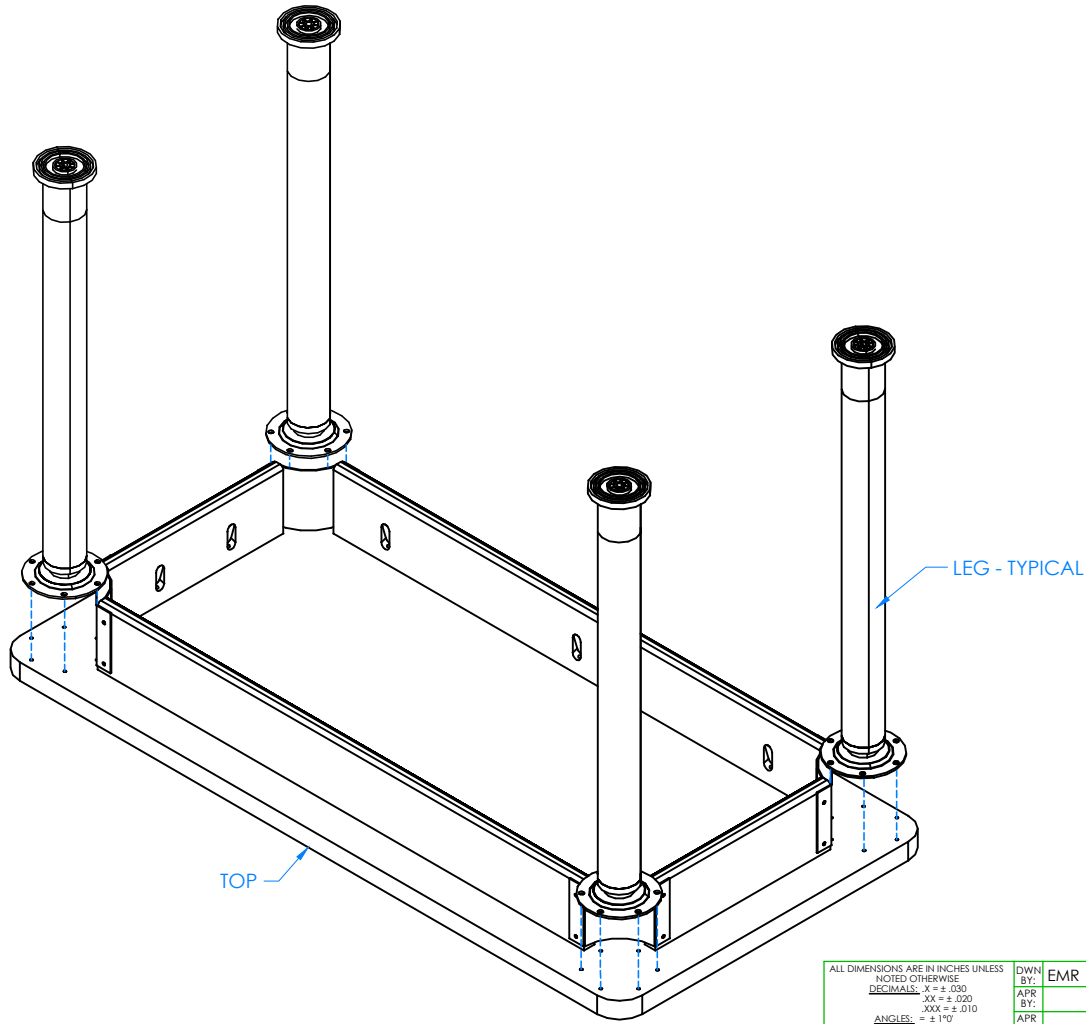
CONFIDENTIAL:
 ALL DESIGN RIGHTS RESERVED
 THE INFORMATION, DATA, DESIGN, AND DRAWINGS EMBODIED IN THIS DOCUMENT AND ALL REPRODUCTIONS THEREOF ARE THE EXCLUSIVE PROPERTY OF DIVERSIFIED WOODCRAFTS, INC.

TITLE:
UPLIFT! HYBRID TABLE W/ ADJUSTABLE LEGS ASSEMBLY INSTRUCTIONS

THESE DOCUMENTS ARE SUPPLIED WITH THE UNDERSTANDING THAT THEY WILL NOT BE DISCLOSED TO THIRD PARTIES WITHOUT WRITTEN CONSENT OF DIVERSIFIED WOODCRAFTS, INC. ANY REPRODUCTION IN PART OR WHOLE WITHOUT WRITTEN CONSENT IS SUBJECT TO LEGAL ACTION.

| | | | |
|------------------|--------|--------|-----------|
| DRAWING NUMBER: | SCALE: | SHEET: | REVISION: |
| P8 SERIES TABLES | NTS | 4 OF 6 | REV A |

| REV. | DESCRIPTION | DATE | NAME | ECN NO. |
|----------------|-------------------------------|---------|------|---------|
| A | CREATED ASSEMBLY INSTRUCTIONS | 2/10/21 | EMR | - |
| REVISION LEVEL | | | | |



STEP 3:

- SCREW LEGS TO BOTTOM OF TOP THROUGH PRE-DRILLED HOLES WITH HARDWARE PROVIDED.
- MAKE SURE EACH LEG IS SCREWED ON TIGHT USING A MAXIMUM OF 45IN - LBS OF TORQUE.

NOTE:

1.

| | | | | |
|--|---------|-----|-----------|---------|
| ALL DIMENSIONS ARE IN INCHES UNLESS NOTED OTHERWISE | DWN BY: | EMR | DATE DWN: | 2/10/21 |
| DECIMALS: .X = ± .030 .XX = ± .020 .XXX = ± .010 | APR BY: | | DATE APR: | |
| ANGLES: = ± 1° | APR BY: | | DATE APR: | |
| CABINET SQUARENESS: = ± .0625 | APR BY: | | DATE APR: | |

CONFIDENTIAL:
ALL DESIGN RIGHTS RESERVED
THE INFORMATION, DATA, DESIGN, AND DRAWINGS EMBODIED IN THIS DOCUMENT AND ALL REPRODUCTIONS THEREOF ARE THE EXCLUSIVE PROPERTY OF DIVERSIFIED WOODCRAFTS, INC.

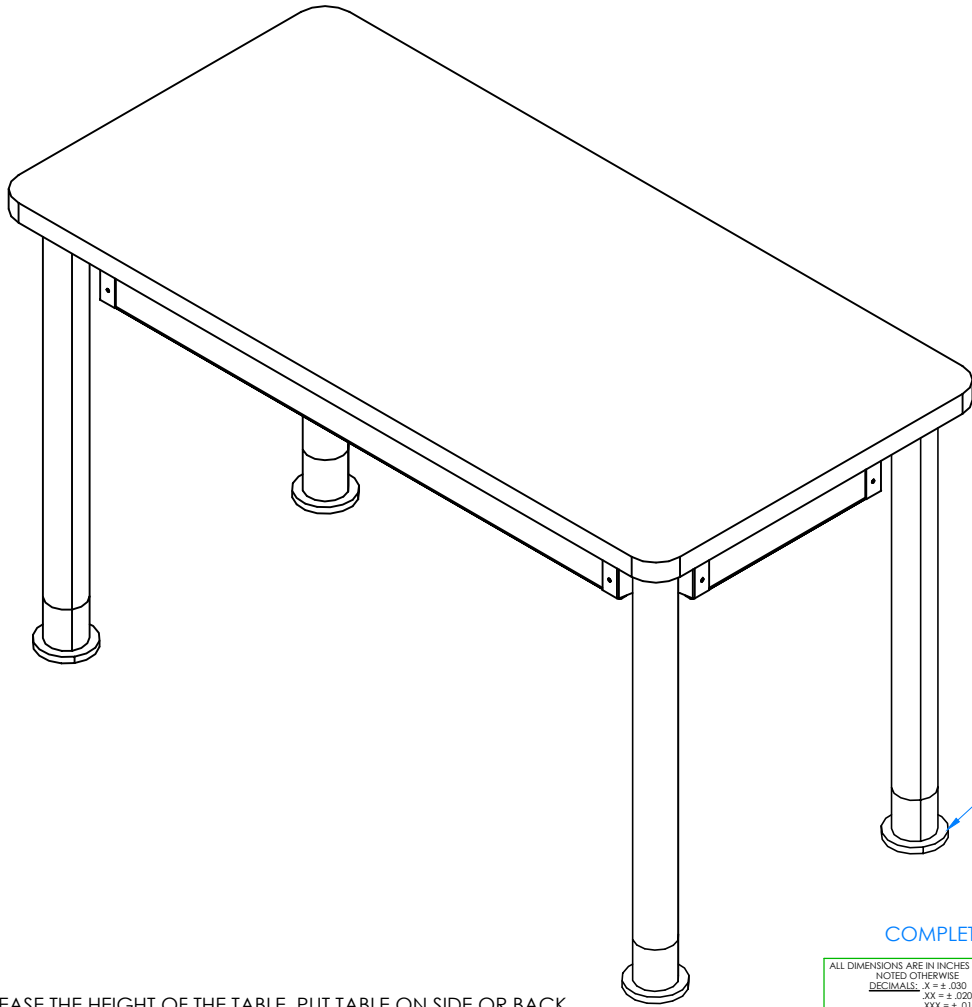
THESE DOCUMENTS ARE SUPPLIED WITH THE UNDERSTANDING THAT THEY WILL NOT BE DISCLOSED TO THIRD PARTIES WITHOUT WRITTEN CONSENT OF DIVERSIFIED WOODCRAFTS, INC. ANY REPRODUCTION IN PART OR WHOLE WITHOUT WRITTEN CONSENT IS SUBJECT TO LEGAL ACTION.



TITLE:
UPLIFT! HYBRID TABLE W/ ADJUSTABLE LEGS
ASSEMBLY INSTRUCTIONS

| REV. | DESCRIPTION | DATE | NAME | ECN NO. |
|----------------|-------------------------------|---------|------|---------|
| A | CREATED ASSEMBLY INSTRUCTIONS | 2/10/21 | EMR | - |
| REVISION LEVEL | | | | |

| | | | |
|------------------|--------|--------|-----------|
| DRAWING NUMBER: | SCALE: | SHEET: | REVISION: |
| P8 SERIES TABLES | NTS | 5 OF 6 | REV A |



STEP 4:

- SET TABLE IN PLACE.
- ADJUST LEGS TO DESIRED HEIGHT - SEE NOTE ON HOW TO ADJUST HEIGHT OF TABLE.

****NOTE****
WHEN MOVING TABLE, CARRY IT. DO NOT DRAG OR PUSH THE TABLE ACROSS THE FLOOR ON LEG LEVELERS.

NOTE:

1. TO INCREASE THE HEIGHT OF THE TABLE, PUT TABLE ON SIDE OR BACK AND SIMPLY PULL ON THE BOTTOM OF EACH LEG.
2. TO DECREASE THE HEIGHT OF THE TABLE, PUT TABLE ON SIDE OR BACK AND MOVE THE ADJUSTABLE LEG TO THE HIGHEST SETTING. IT WILL START TO RELEASE. PUSH THE LEG BACK TO A LOWER SETTING.

COMPLETE UNIT SHOWN

| | | | | |
|---|---------|-----|-----------|---------|
| ALL DIMENSIONS ARE IN INCHES UNLESS NOTED OTHERWISE | DWN BY: | EMR | DATE DWN: | 2/10/21 |
| DECIMALS: X = ± .030 | APR BY: | | DATE APR: | |
| XX = ± .020 | APR BY: | | DATE APR: | |
| XXX = ± .010 | APR BY: | | DATE APR: | |
| ANGLES: = ± 1° | | | | |
| CABINET SQUARENESS: = ± .0625 | | | | |

CONFIDENTIAL:
ALL DESIGN RIGHTS RESERVED
THE INFORMATION, DATA, DESIGN, AND DRAWINGS EMBODIED IN THIS DOCUMENT AND ALL REPRODUCTIONS THEREOF ARE THE EXCLUSIVE PROPERTY OF DIVERSIFIED WOODCRAFTS, INC.

THESE DOCUMENTS ARE SUPPLIED WITH THE UNDERSTANDING THAT THEY WILL NOT BE DISCLOSED TO THIRD PARTIES WITHOUT WRITTEN CONSENT OF DIVERSIFIED WOODCRAFTS, INC. ANY REPRODUCTION IN PART OR WHOLE WITHOUT WRITTEN CONSENT IS SUBJECT TO LEGAL ACTION.



TITLE:
UPLIFT! HYBRID TABLE W/ ADJUSTABLE LEGS
ASSEMBLY INSTRUCTIONS

| REV. | DESCRIPTION | DATE | NAME | ECN NO. |
|------|-------------------------------|---------|------|---------|
| A | CREATED ASSEMBLY INSTRUCTIONS | 2/10/21 | EMR | - |

REVISION LEVEL

DRAWING NUMBER:

P8 SERIES TABLES

SCALE:

NTS

SHEET:

6 OF 6

REVISION:

REV A