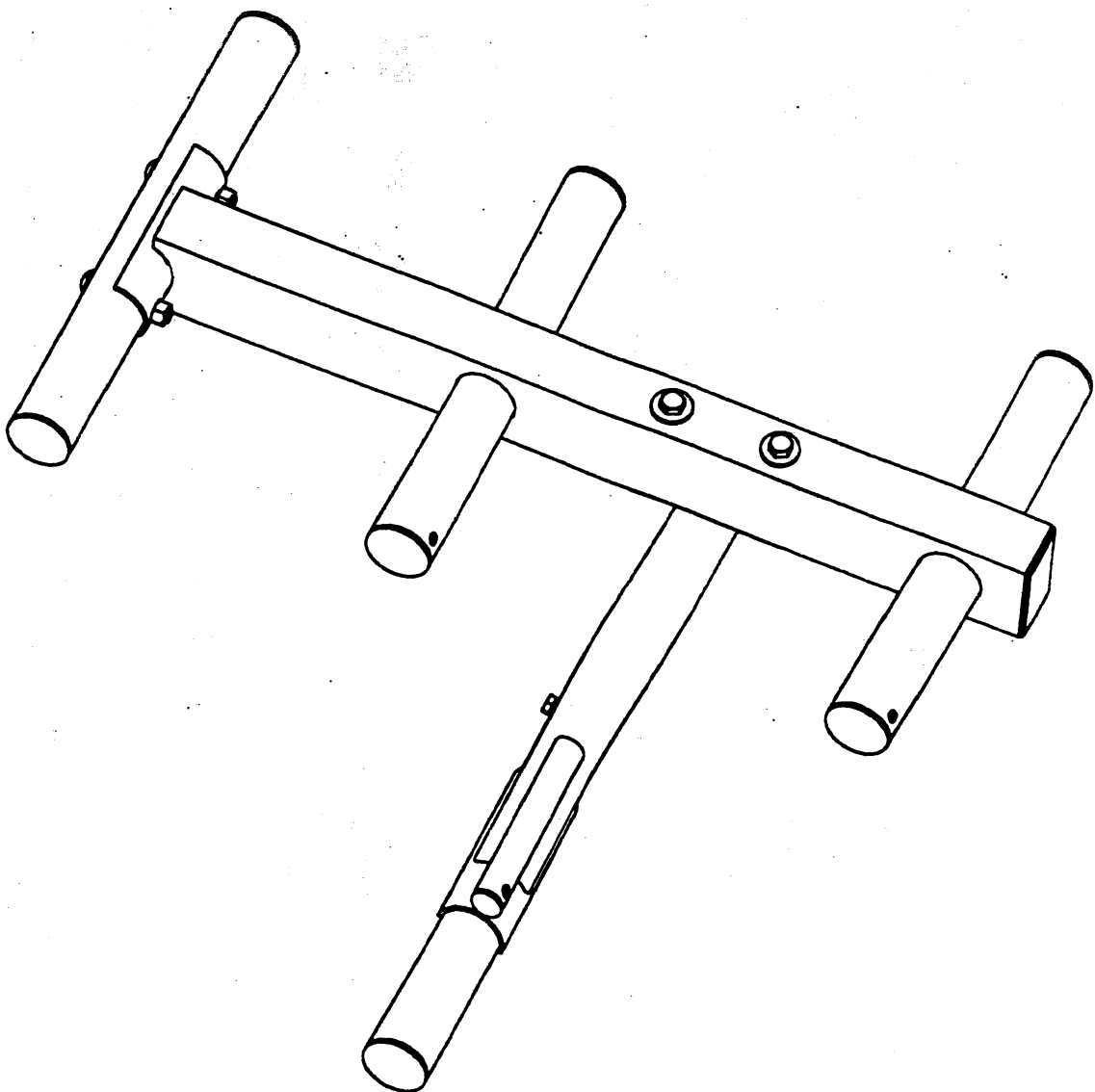


OWT-24



VERSION 0105

HARDWARE ILLUSTRATION SHEET

PARTS ILLUSTRATION SHEET

|  | Qty.   |
|--|--------|
| A1. M10X65L CARRIAGE BOLT-----         | [4PCS] |
| A2. M10X90L HEX HEAD BOLT -----        | [2PCS] |
| B1. M10 LOCK NUT-----                  | [6PCS] |
| C1. M10 (I.D) WASHER -----             | [2PCS] |
| D1. Ø1" ROUND END CAP (9211-016) ----- | [2PCS] |
| D2. Ø50 ROUND END CAP(9211-020)-----   | [8PCS] |
| D3. 50X75 END CAP (9211-012)-----      | [1PCS] |

