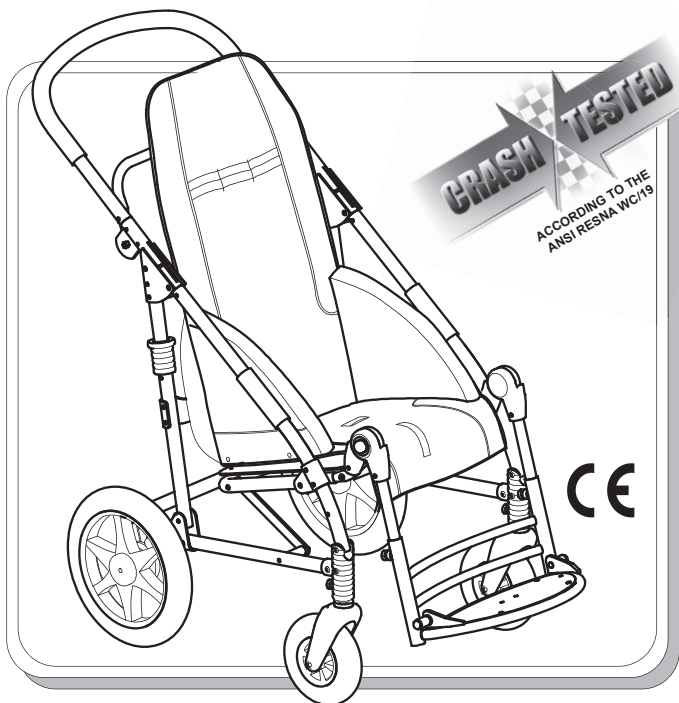


NOVUS

PUSHCHAIR



USE AND MAINTENANCE HANDBOOK

ORMESA®

Thank you for choosing **NOVUS**, from ORMESA s.r.l, which is a **postural stroller for children and teens** where style and ergonomics combine without compromising on safety.

ORMESA s.r.l. recommends that you read this manual very carefully to fully understand its contents. In addition to help you becoming familiar with the stroller quickly, it also contains practical tips for making the best use of it safely and keeping it in good working order.

If, after reading it, you still have questions, contact your retailer, who will be happy to help you, or call **INNOVATION IN MOTION** directly at 1.260.665.2769, send a fax to 1.260.665.3047 or send an e-mail to iim@mobility-usa.com.

Luigi Menichini
Managing Director



TABLE OF CONTENTS

WARNINGS	4
GUARANTEE	6
HOW TO STORE AND TRANSPORT THE MEDICAL DEVICE	6
SOME EXAMPLES OF WHAT NOT TO DO WITH THIS MEDICAL DEVICE	7
HOW TO TILT THE NOVUS AND CLIMB UP PAVEMENTS	8
HOW TO USE THE NOVUS STROLLER FOR TRANSPORT ON A MOVING VEHICLE (private cars, buses, etc.)	9
LABELS AND PLATES	14
CONFORMITY DECLARATION CE	15
TECHNICAL SPECIFICATIONS	16
INITIAL PREPARATION	18
HOW TO ASSEMBLE Novus	19
OPEN AND BLOCK THE PUSHCHAIR	19
FIX THE UPHOLSTERY TO THE SEAT	20
FIX THE WHEELS	21
HOW NOVUS WORKS AND HOW TO USE IT	22
BRAKING the STROLLER	22
ADJUSTMENT of the BACKREST	22
ADJUSTMENT of the SEAT WIDTH	23
ADJUSTMENT of the SEAT DEPTH	23
ADJUSTMENT of the BACKREST HEIGHT	24
REMOVING the WHEELS	24
ADJUSTMENT of the LEGREST	25
ADJUSTMENT of the FOOTREST	25
FOLDING the STROLLER	26
FIXING THE ACCESSORIES	27
WHEEL DIRECTION LOCKS 812	27
INGUINAL STRAPS 817	27
THERMAL COVER 818	28
CANOPY 819	29
CHEST BELT 828	29
RAIN COVER 825	30

TRAY 824	31
FRONT HANDLE 839.....	32
FOOTSTRAPS 827.....	33
ABDUCTION BLOCK 834	33
ADJUSTABLE ABDUCTION BLOCK 834R	34
SIDE PROTECTING COVERS 844.....	38
MESH BASKET 858.....	38
VEST HARNESS 853.....	39
HEADREST with PARIETAL SUPPORTS 852	40
HEADREST with OCCIPITAL PARIETAL SUPPORTS 863.....	42
SIDE WRAPPABLE and.....	44
FLEXIBLE SUPPORTS for the TRUNK 868	44
891 SET OF 4 TIEDOWN HOOKS (4 RINGS).....	45
45° BELT FOR THE PELVIS.....	46
FIVE POINT VEST HARNESS 903	47
HAND BRAKE 905.....	48
FIVE POINT HARNESS 906	53
PARASOL.....	55
FOOT PLATE PADDED COVERING.....	58
VENT TRAY.....	59
BOTTLE HOLDER	61
MAINTENANCE, CLEANING AND DISINFECTION OF NOVUS.....	62
CUSTOMER SERVICE AND SPARE PARTS.....	63
CONDITIONS FOR DURABILITY, REUSE AND REASSIGNMENT TO A NEW USER.....	64



WARNINGS

- **CAREFULLY READ AND UNDERSTAND THE INSTRUCTIONS IN THIS MANUAL BEFORE USING THE DEVICE** because they have been written with the user's safety in mind and they will help the carer to use the product safely and keep it in good working order. The Use and Maintenance Manual is an integral part of the product and must be carefully preserved for future reference.
- **THE MANUAL IS INTENDED FOR TECHNICALLY QUALIFIED RETAILERS AND USERS AND THEIR ASSISTANTS**; it provides instructions for its correct use and must be supplemented by adequate knowledge of the rehabilitation program for which it has been prescribed.
- **THE MANUAL REFLECTS THE TECHNICAL STATE OF THE PRODUCT AT THE TIME IT WAS SOLD.** ORMESA s.r.l. reserves the right to make any changes to the product or manual suggested by experience, technical considerations or regulatory developments without any obligation to update its previous production and relevant manual.
- **THE PRESCRIBER MUST CHECK** that the use of the stroller conforms to current laws, regulations and standards. The carer must check the lap strap and harness are correctly adjusted before every use. The lap strap should be adjusted so that there is no possibility of the user sliding forward. The straps and harness fitted on our products are not to be used as restraints in moving vehicle.
- **THE STROLLER IS INTENDED FOR USE BY PEOPLE WHOSE SIZE AND WEIGHT** fall within the range of the "Technical Specifications" on pages 16-17 and **was exclusively designed for the transport and placement of children and teens.**
- **NOVUS is available in three sizes:** change to a larger stroller as the child grows
- **The 812 direction locks on the front wheels were exclusively designed for using the stroller on rough terrain:** in all other cases, they must be disengaged to avoid difficulty in manoeuvring the device
- **THE NOVUS STROLLER MUST BE MANOEUVRED BY PEOPLE WITH THE HEIGHT AND STRENGTH TO CONTROL ITS MOVEMENTS**
- **NOVUS CAN BE ONLY USED BY THOSE PEOPLE WHO HAVE PREVIOUSLY EXAMINED THE RULES AND INSTRUCTIONS IN THIS HANDBOOK**
- **BEFORE EACH USE ALWAYS CHECK** that the brakes are working, the wheels are not excessively worn and that the frame, backrest and footrest are locked
- **MAKE SURE THAT ALL ADJUSTABLE PARTS** are locked before each use
- **WHEN PAUSING, ALWAYS APPLY BOTH BRAKES,** even on level ground
- Always lock the brakes before making any type of adjustment
- **GO ON A PAVEMENT MOVING FORTH AND GO DOWN IT MOVING BACKWARDS** (see p. 8)
- **THE PADDED UPHOLSTERY IS FIRE-RETARDANT:** it conforms to class 1 IM of the Italian UNI 9177 standard. **Keep THE ACCESSORIES away from sources of ignition because THEY ARE NOT FIRE-RESISTANT**
- **THE FABRIC FIRE-RESISTANT PROPERTIES ARE INHERENT TO THE FIBRE AND NOT DUE TO TREATMENT WITH ADDITIVES**



NOVUS STROLLER **conforms to the ANSI/RESNA WC/Vol.1 - Section 19, which defines the SAFETY REQUIREMENTS FOR TRANSPORT, facing in the direction of travel, on MOVING VEHICLES (private cars, buses, etc.)**



FOR THE ASSEMBLY OF THE 891 ACCESSORY AND ANCHORING THE STROLLER TO THE VEHICLE, CAREFULLY READ THE INSTRUCTIONS AND NOTICES ON PAGES 9, 10, 11, 12, 13 OF THIS MANUAL

NOVUS IS A MECHANICAL MEDICAL DEVICE:



Perform REGULAR MAINTENANCE and CLEANING following the instructions shown in the "Maintenance" chapter on page 62-63 and HAVE THE DEVICE INSPECTED AT THE INTERVALS INDICATED to VERIFY that it is WORKING PROPERLY and in GOOD CONDITION, otherwise warranty will fail and CE marking will lapse



PRODUCT REPAIRS other than the regular maintenance shown on page 62-63 of the manual must be ONLY MADE by a SPECIALIZED SERVICE CENTER in the maintenance of mechanical aids for disables, otherwise warranty and CE marking will be voided



Any CHANGES in the product ARE NOT AUTHORIZED. REFER ONLY TO ORMESA, otherwise warranty and CE marking will be voided



the REPLACEMENT WITHOUT ORIGINAL PARTS OR COMPONENTS ARE NOT AUTHORIZED. REFER ONLY TO ORMESA, otherwise warranty and CE marking will be voided



In case of DOUBT about the SAFETY of the product or DAMAGE to parts or components, you are urged to IMMEDIATELY DISCONTINUE USE and CONTACT a SPECIALIZED SERVICE CENTER in the maintenance of mechanical aids for disables, or directly ORMESA.



GUARANTEE

ORMESA and INNOVATION IN MOTION warrant the product for 2 years; in case of problems, contact the retailer where you purchased it.

ORMESA will not be liable for damage in the following cases:

- use by an unsuitable person;
- incorrect assembly of parts or accessories;
- unauthorized modifications or service;
- use of other than original replacement parts and parts subject to wear (upholstery, wheels, etc);
- improper use (such as, transporting objects or loads larger or heavier than those shown in the instruction manual);
- damage caused by incorrect use and lack of regular maintenance, as shown in the instruction manual;
- exceptional events;
- failure to follow the instructions in this manual.

THE GUARANTEE DOES NOT COVER WEAR PARTS, which are subject to wear and tear, such as the upholsteries and the wheels.



HOW TO STORE AND TRANSPORT THE MEDICAL DEVICE

THE DEVICE MUST BE STORED AND PACKED using the Ormesa original packaging materials, unless the guarantee will be voided

- **Once unpacked, THE TRANSPORT OF THE DEVICE must be done by ANCHORING ADEQUATELY it to the vehicle**
- **When travelling by plane, or in the car, DO NOT SUBJECT THE FOLDED FRAME TO LOADS THAT, especially with road bumps, COULD DAMAGE ITS STRUCTURE**

THE DEVICE MUST BE PARKED / STORED IN CLOSED AND DRY PLACES

- **THE OPERATING ENVIRONMENT HAS NO PARTICULAR INFLUENCE ON THE DEVICE UNLESS IT IS USED INCORRECTLY, such as by leaving it parked for a long time in direct sunlight or exposed to bad weather such as rain, or in MARINE ENVIRONMENTS, where the salt air could corrode the paint and sliding parts. IN THIS CASE, WE RECOMMEND CAREFULLY CLEANING AND DRYING THE FRAME FOLLOWING THE INSTRUCTIONS SHOWN IN THE “MAINTENANCE, CLEANING AND DISINFECTION” CHAPTER ON PAGES 62-63 AND THE WARNINGS ⚠ ON PAGE 63**



SOME EXAMPLES OF WHAT NOT TO DO WITH THIS MEDICAL DEVICE

- DO NOT CARRY THE CHILD OVER ROUGH OR STEEP SURFACES OR STAIRS

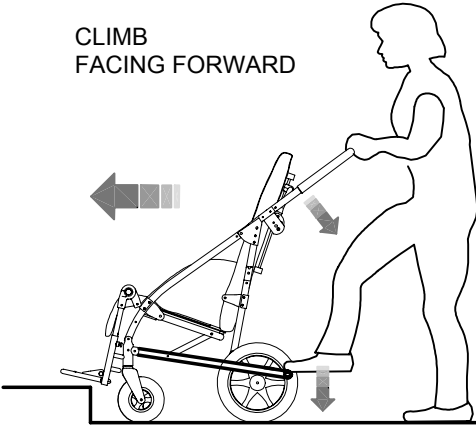
- DO NOT ALLOW CHILDREN TO USE THE PRODUCT, NOT EVEN FOR PLAYING
- DO NOT PLACE HOT CONTAINERS OR OBJECTS ON THE TRAY SURFACE BECAUSE THEY COULD TIP OVER AND BECAUSE THE COVERING COULD BE SEVERELY DAMAGED
- DO NOT ATTACH WEIGHTS TO THE PUSH HANDLE OF THE PUSHCHAIR SO AS NOT TO PUT AT RISK ITS STABILITY DURING USE
- NEVER LEAVE THE CHILD ALONE IN THE DEVICE
- NEVER LEAVE THE PRODUCT PARKED ON A SLOPING SURFACE

- TO AVOID THE RISK OF TIPPING FROM LOSS OF STABILITY DO NOT ALLOW THE STROLLER TO BE USED WITH FLAT TYRES - TYRE PRESSURE 2.5 Atm, see the "MAINTENANCE" chapter on pages 62-63

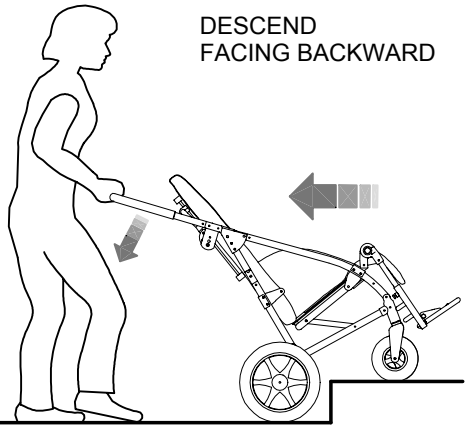
- DO NOT LET ANYONE CLIMB ONTO THE FOOTREST OR RIDE ON THE BACK OF THE DEVICE
- DO NOT LIFT THE PRODUCT BY THE LEG SUPPORT FRAME OR FOOTREST (i.e. TO CLIMB OVER OBSTACLE)
- DO NOT USE THE PRODUCT TO CLIMB OR DESCEND STAIRS: ITS STRUCTURE WAS NOT DESIGNED FOR THIS PURPOSE
- NEVER LEAVE THE STROLLER PARKED FOR A LONG TIME IN DIRECT SUNLIGHT OR NEAR SOURCES OF HEAT: THIS WILL AVOID OVERHEATING THE DEVICE AND DISCOLOURING THE UPHOLSTERY
- DO NOT USE THE PRODUCT IF PARTS ARE MISSING OR DAMAGED. INSIST THAT ONLY ORIGINAL REPLACEMENT PARTS ARE USED BECAUSE ANY OTHER TYPE WILL VOID THE WARRANTY AND CE MARKING
- DO NOT CLIMB PAVEMENTS OR STEPS WITH JUST THE STROLLER'S SIDE WHEELS (FRONT AND BACK) (SEE FIG. ON PAGE 8), BECAUSE IT COULD TIP OVER
- WHEN THE BACKREST IS COMPLETELY RECLINED, DO NOT CLIMB OVER OBSTACLES OR STEEP SLOPES THAT, SINCE THEY COULD EXCEED 15°, COULD CAUSE THE STROLLER TO TIP OVER (SEE FIG. PAGE 8)

HOW TO TILT THE NOVUS AND CLIMB UP PAVEMENTS

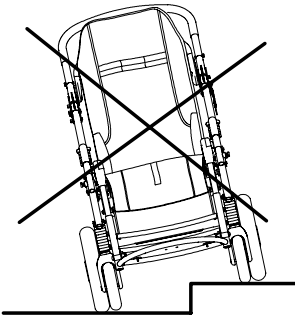
**CLIMB
FACING FORWARD**



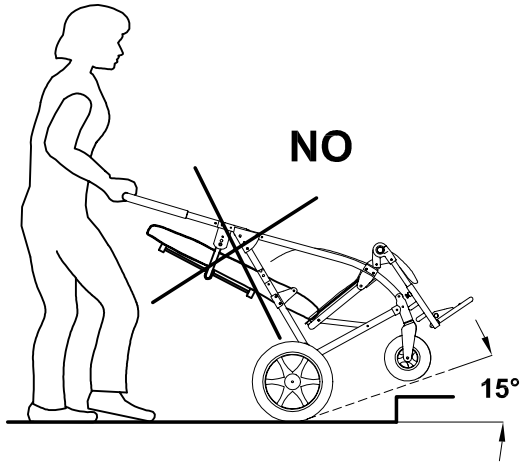
**DESCEND
FACING BACKWARD**



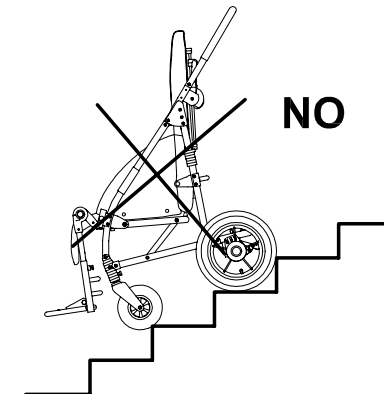
NO



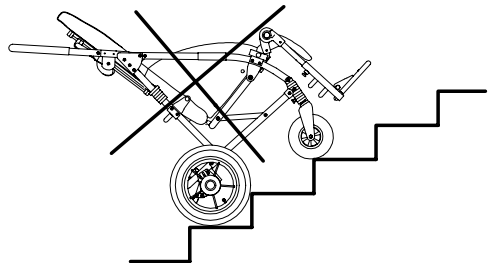
NO



NO



NO





HOW TO USE THE NOVUS STROLLER FOR TRANSPORT ON A MOVING VEHICLE (private cars, buses, etc.)

THE NOVUS STROLLER conforms to ANSI/RESNA WC/Vol.1 - Section 19 standard, which defines the safety requirements for transport, facing in the direction of travel, on moving vehicles (private cars, buses, etc.) In order to use it safely, carefully read the warnings and follow the instructions given on pages from 9 to 13

- **THE STROLLER-SEATED OCCUPANT MUST FACE THE FRONT OF THE VEHICLE** (see fig. 4, page 12). According to the ISO 7176-19 point 6.3.4, compliance with ISO 7176-19 does not preclude using the pushchair facing rearward in large accessible vehicles equipped and approved with rear-facing wheelchair passenger stations
- **The child should weigh at least 22 kg (48.5 lbs)** because the CRASH TEST provided by the ANSI/RESNA standards only refers to wheelchairs/pushchairs for users whose weight is 22 kilos or more
- **THE VEHICLE MUST BE SUITABLE FOR TRANSPORTING ORTHOPAEDIC WHEELCHAIRS/STROLLERS IN CONFORMITY WITH STANDARD ANSI/RESNA WC/Vol.1 Section 19** (see fig. 4, page 12)
- **THE CHILD MUST WEAR BOTH A LAP BELT AND A DIAGONAL SHOULDER BELT** either SAE J2249 or ISO 10542-2 APPROVED (i.e., belts with a label of conformity to these standards). **THE USE OF A LAP BELT BY ITSELF IS NOT RECOMMENDED.** Postural belts, such as models 817, 868, 828, 853, 894, 903 and 906 are not type-approved for use as restraint systems and can only be used in addition
- **THE STROLLER MUST BE ANCHORED TO THE MOTOR VEHICLE WITH THE BACKREST AND THE LEGREST IN THE UPRIGHT POSITION** by: 1) a four-point strap-type tiedown system that complies with either SAE J2249 or ISO 10542-2, supplied by the vehicle and 2) our accessory 891 - set of 4 tie-down hooks (see fig. 1 and 2, page 10; fig. 3, page 11 and fig. 4, page 12)



ATTENTION!

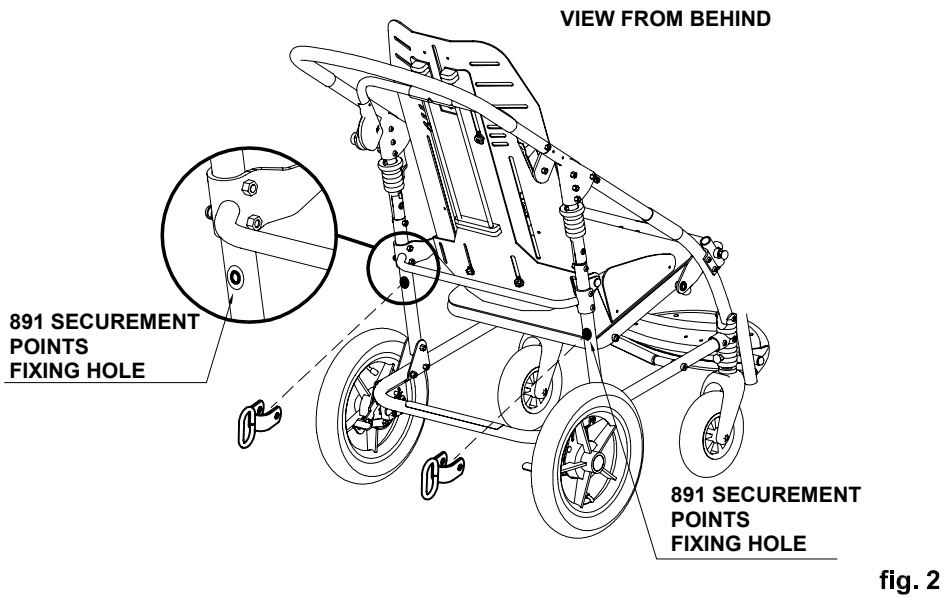
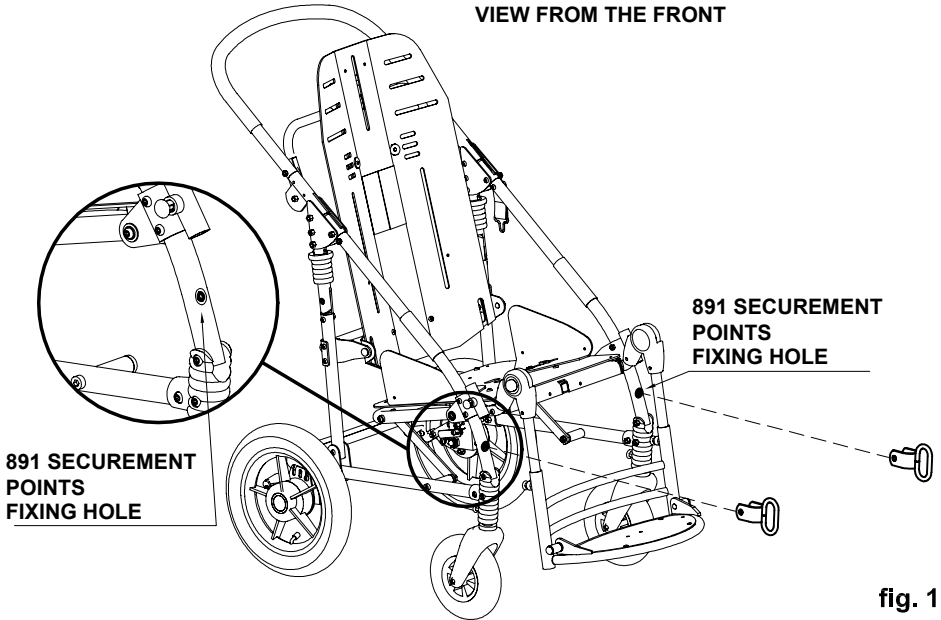
ORMESA RECOMMENDS THE USE OF A COMPLETE ISO 10542-2-COMPLIANT "WTORS" SYSTEM, which consists of restraint systems for both the wheelchair and its occupant

- **whenever the child is transferred on a seat of the vehicle, the unoccupied stroller should be stored in a cargo area or secured in the vehicle during travel**
- in order to preserve their effectiveness, **belt restraints should not be held away from the body by wheelchair components or parts**, such as the wheelchair armrests or wheels (see fig 5 and 6, page13)
- **shoulder-belt restraints should fit over the shoulders** (see fig. 5, page 13)
- **belt restraints should be adjusted as tightly as possible**, consistent with user comfort, and belt webbing should not be twisted when in use
- in order to reduce the potential of injury to vehicle occupants, during the transport **the tray and all accessories should be removed and secured separately in the vehicle**

THE STROLLER MUST BE INSPECTED BY THE MANUFACTURER OR ITS AUTHORIZED RETAILER OR DISTRIBUTOR BEFORE REUSE FOLLOWING INVOLVEMENT IN ANY TYPE OF VEHICLE COLLISION

ANY ALTERATION OR SUBSTITUTION OF THE 891 TIEDOWN HOOKS OR STROLLER PARTS OR COMPONENTS, WITHOUT THE WRITTEN AUTHORIZATION OF ORMESA SRL, IS FORBIDDEN AND WILL VOID THE CE MARK AND THE WARRANTY

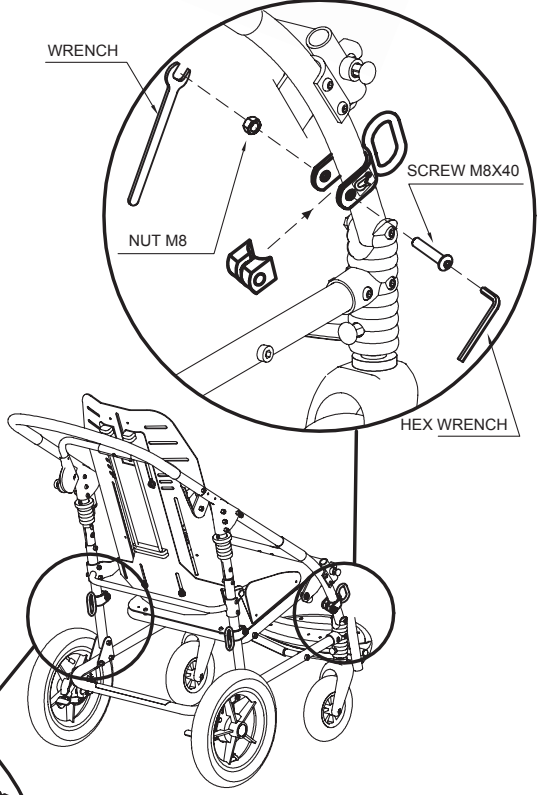
1) POSITION THE 891 TIEDOWN HOOKS (4 RINGS) ON THE POINTS (NOTCHES) INDICATED ON THE FRAME AND FIX THEM FOLLOWING THE INSTRUCTIONS ON PAGE 11



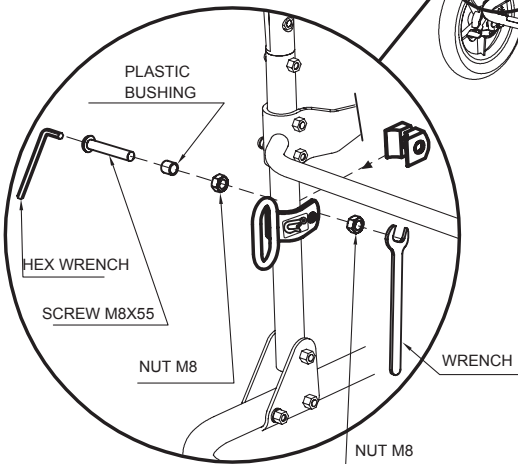
2) HOW TO FIX THE 891 TIEDOWN (4 RINGS) ON THE FRAME

ATTENTION:

- suitable for ISO 10542- and SAE J2249 approved four-point straps provided in the vehicle. **To anchor the stroller to the transport vehicle, see the instructions on page 12**
- **the child must wear both a lap belt and a diagonal shoulder belt ANSI/RESNA WC/19- or ISO 10542- approved (i.e., belts with a label of conformity to these standards).** Postural belts, such as models 817, 868, 828, 853, 894, 903 and 906 are not approved for use as restraint systems and can only be used in addition
- **the vehicle must be suitable for transporting orthopaedic strollers in conformity with current law**
- **read the notices and instructions provided on page 9** of this use and maintenance manual. **The 891 tie down hooks are safety devices and, as such, they must be fixed to the frame by skilled personnel, such as the manufacturer or reseller that supplied the stroller**



VIEW FROM BEHIND



3) HOW THE STROLLER IS TO BE SECURED IN A VEHICLE (private car, bus, etc)

HOOK THE APPROVED 4-POINT BELTS OF THE VEHICLE TO THE 4 TIEDOWN HOOKS (4 RINGS) AS SHOWN IN THE FIGURE AND IN THE DIRECTION OF TRAVEL OF THE VEHICLE

4-POINT STRAP-TYPE TIEDOWN STROLLER RESTRAINT

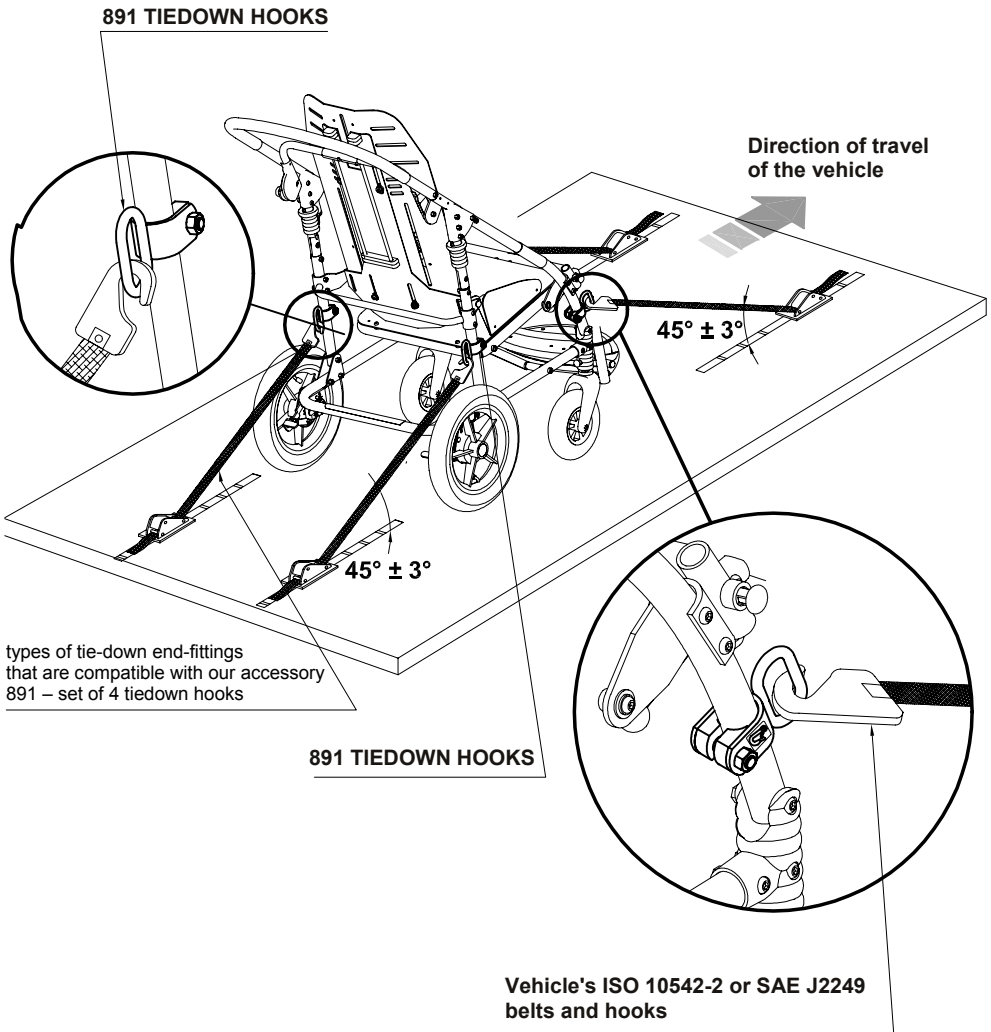


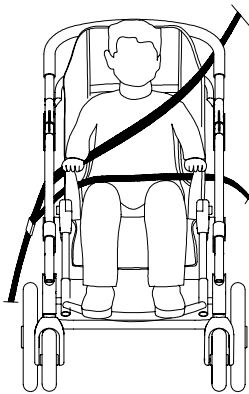
Fig. 4

4) THE CORRECT POSITIONING OF OCCUPANT BELT RESTRAINTS ON THE USER

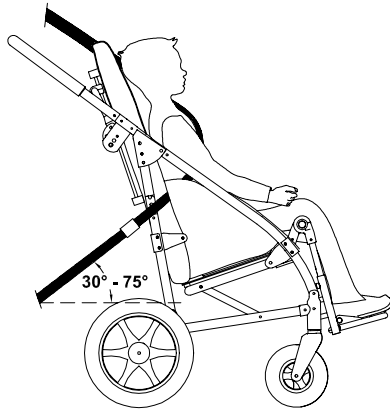
ATTENTION! the pelvic-belt restraint should be worn low across the front of the pelvis, so that the angle of the pelvic-belt restraint is within the preferred zone from 30° to 75° to the horizontal, similar to that shown in Figure 5. A steeper (greater) angle within the preferred zone is desirable,

ATTENTION! Our postural belts 817, 868, 828, 853, 894, 903 and 906 are not intended to be as an occupant restraint in a moving, but they can be used in addition

YES
beneath
the armrest
and the frame



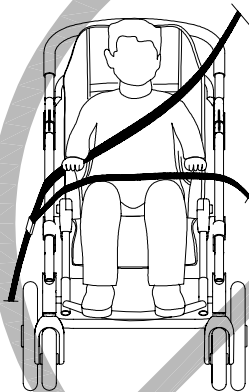
FRONT VIEW



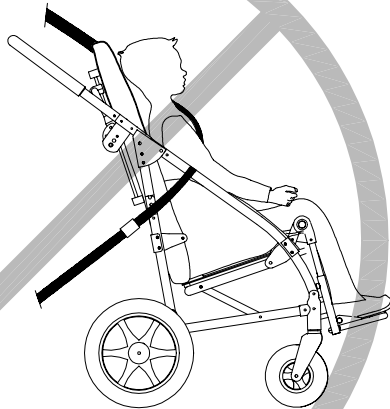
SIDE VIEW

fig. 5

NO
above
the armrest
and the frame



VISTA FRONTALE

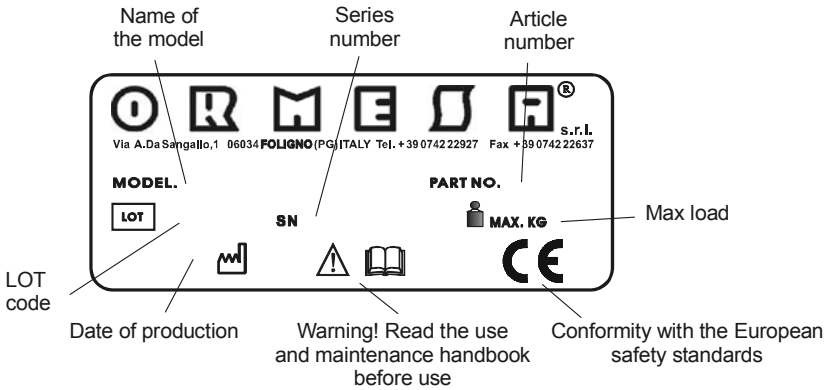


VISTA LATERALE

THE INCORRECT PLACEMENT OF BELT RESTRAINTS

fig. 6

LABELS AND PLATES



THE CE MARK CERTIFIES THAT THE NOVUS STROLLER CONFORMS TO THE SAFETY REQUIREMENTS OF THE EUROPEAN UNION AND, IN PARTICULAR, DIRECTIVE 93/42/EEC ON "MEDICAL DEVICES" AND SUBSEQUENT MODIFICATIONS AND SUPPLEMENTS



SECUREMENT POINTS FOR THE ANCHORAGE OF THE ISO 10542-2 APPROVED 4-POINT STRAP-TYPE TIEDOWNS SUPPLIED BY THOSE VEHICLES WHICH ARE SUITABLE FOR TRANSPORTING ORTHOPEDIC STROLLER IN COMPLIANCE WITH THE ISO 7176-19 STANDARD

IT **ATTENZIONE**
LEGGERE E COMPRENDERE
LE ISTRUZIONI PER L'USO E LA MANUTENZIONE

EN **WARNING! READ AND UNDERSTAND THE USE AND MAINTENANCE INSTRUCTIONS**

FR **ATTENTION! LIRE ET COMPRENDRE LES INSTRUCTIONS POUR L'UTILISATION ET L'ENTRETIEN**

DE **SORGFÄLTIG! BITTE LESEN SIE DIE GEBRAUCHSANWEISUNG SORGFÄLTIG DURCH UND BEACHTEN SIE DIE ENTSPRECHENDEN HINWEISE**

ES **ATENCIÓN! LEER Y COMPRENDER LAS INSTRUCCIONES DE USO Y MANTENIMIENTO**

CONFORMITY DECLARATION CE

ORMESA S.R.L. GUARANTEES AND DECLARES, UNDER ITS OWN EXCLUSIVE RESPONSIBILITY, THAT THE FOLLOWING MEDICAL DEVICE, TECHNICAL AID FOR REHABILITATION:

NOVUS PUSHCHAIR

WHICH THIS DECLARATION REFERS TO, CONFORMS WITH THE GENERAL REQUIREMENTS PROVIDED IN THE MEDICAL DEVICES **DIRECTIVE 93/42/EEC** AND SUBSEQUENT AMENDMENTS AND ADDITIONS, ACCORDING TO WHICH THIS DEVICE IS CLASS I AND HAS BEEN DESIGNED IN OBSERVANCE OF THE FOLLOWING STANDARDS:

CEI EN ISO 14971:2012	MEDICAL DEVICES - APPLICATION OF RISK MANAGEMENT TO MEDICAL DEVICES
EN 12182:2012	TECHNICAL AIDS FOR DISABLED PERSONS - GENERAL REQUIREMENTS AND TEST METHODS
EN 980:2009	GRAPHICAL SYMBOLS FOR USE IN THE LABELLING OF MEDICAL DEVICES
EN 1041:2000	INFORMATION SUPPLIED BY THE MANUFACTURE WITH MEDICAL DEVICES
ISO 9999:2009	TECHNICAL AIDS FOR PERSONS WITH DISABILITIES - CLASSIFICATION AND TERMINOLOGY
ISO 7176-1:1999	WHEELCHAIRS - PART 1: DETERMINATION OF STATIC STABILITY
ISO 7176-3:2012	WHEELCHAIRS - PART 3: DETERMINATION OF EFFECTIVENESS OF BRAKES
ISO 7176-5:2008	WHEELCHAIRS - PART 5: DETERMINATION OF OVERALL DIMENSIONS, MASS AND TURNING SPACE
ISO 7176-7:1998	WHEELCHAIRS - PART 7: MEASUREMENT OF SEATING AND WHEEL DIMENSIONS
ISO 7176-8:1998	WHEELCHAIRS - PART 8: REQUIREMENTS AND TEST METHODS FOR STATIC, IMPACT AND FATIGUE STRENGTHS
ISO 7176-11:2012	WHEELCHAIRS - PART 11: TEST DUMMIES
ISO 7176-15:1996	WHEELCHAIRS - PART 15: REQUIREMENTS FOR INFORMATION DISCLOSURE, DOCUMENTATION AND LABELLING
ISO 7176-19: 2008	WHEELCHAIRS - PART 19: WHEELED MOBILITY DEVICES FOR USE IN MOTOR VEHICLES
ISO 7176-22:2000	WHEELCHAIRS - PART 22: SET-UP PROCEDURES

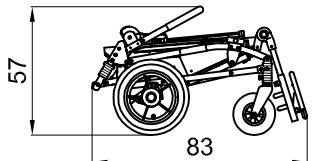
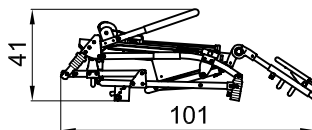
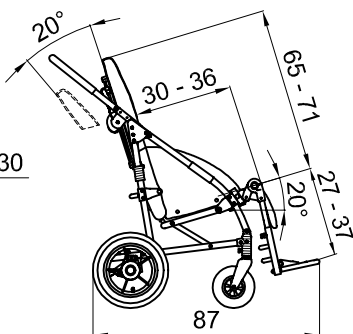
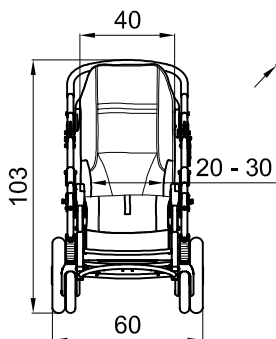
FOLIGNO
JUNE 21ST, 2018

the Legal Representative
Luigi Menichini

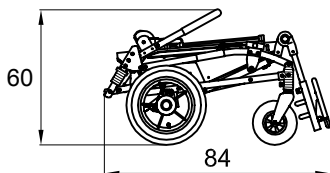
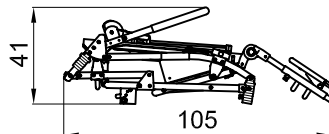
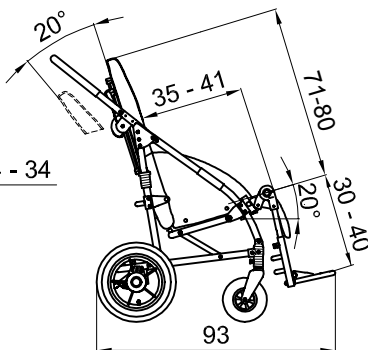
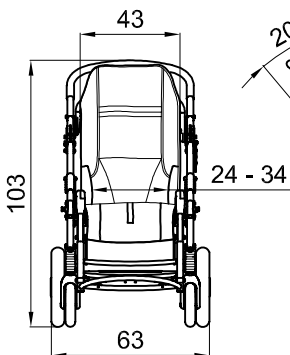
TECHNICAL SPECIFICATIONS

- Folding aluminium **frame**. It is varnished with non-toxic epoxy varnish
- Padded, breathable, ergonomic **upholstery**, removable for machine washing.
Fabric characteristics:
 - **Fireproof**: The fire retardant properties are inherent to the yarn and they do not come from additional treatments
 - **Recyclable**: production cycle with low environmental impact
 - **Maximum resistance to rubbing**
Oeko-Tex Classe 1 Certificate the highest reachable class for textile products intended **for infants and children**; for all fabrics that are **in direct contact with the skin**, to guarantee **quality and safety for health**.
 - **Colours durable and highly resistant**: to sweat, light, dry cleaning and washing machine
- **Rigid backrest** . It is adjustable in height and it can be reclined in 4 positions.
- **Seat** adjustable in width and depth
- Padded **protecting covers** for the knees
- Tip-up **footrest**. It is adjustable in height;
- **legrest** adjustable in tilt
- Detachable **wheels**. They can be detached from the frame thanks to a release mechanism.: front puncture proof wheels, cm. 17,5 (7") on ball bearings and back pneumatic wheels cm. 30 (12") on ball bearings
- **Independent drum brakes**

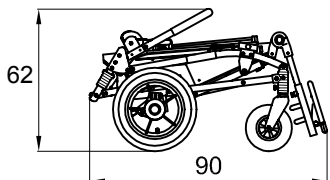
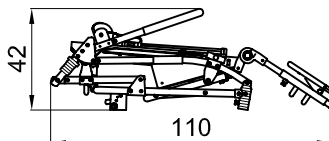
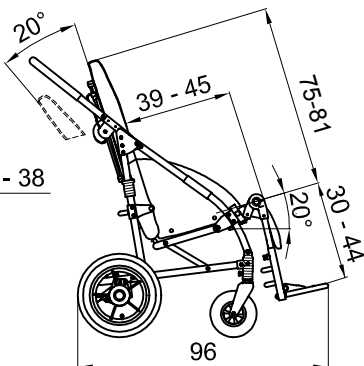
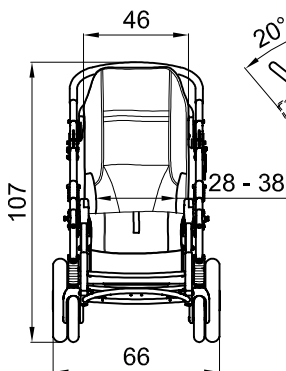
Measures in cm and kilos



NOVUS 2 TOTAL WEIGHT kg 19.5 WEIGHT WITHOUT WHEELS kg 15.9 MAX LOAD kg 45

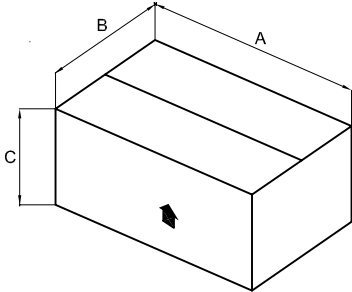


NOVUS 3 TOTAL WEIGHT kg 20.9 WEIGHT WITHOUT WHEELS kg 17.3 MAX LOAD kg 55



NOVUS 4 TOTAL WEIGHT kg 22.1 WEIGHT WITHOUT WHEELS kg 18.5 MAX LOAD kg 65


INITIAL PREPARATION

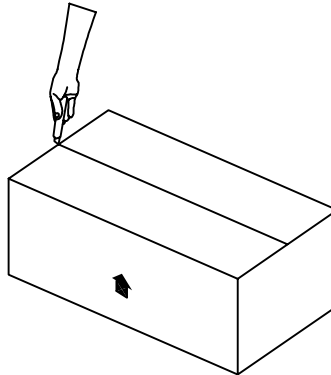


INFORMATION ABOUT THE PACKAGING

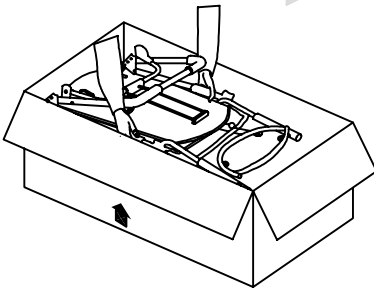
PUSHCHAIR	A cm	B cm	C cm	VOLUME m ³	WEIGHT kg
NOVUS 2	103	63	40	0.259	24
NOVUS 3	105	60	42	0.264	26
NOVUS 4	118	63	40	0.297	28

REMOVING NOVUS FROM THE PACKAGING

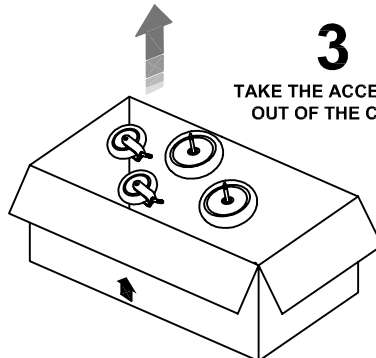
1
 **BEWARE!**
 PLEASE TAKE CARE NOT TO APPLY TOO MUCH PRESSURE IF CUTTING THE BOX OPEN. YOU MAY DAMAGE THE CHAIR



2
 TAKE IT OUT OF THE CARTON

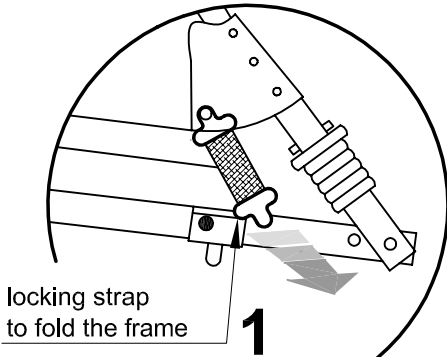


3
 TAKE THE ACCESSORIES
 OUT OF THE CARTON

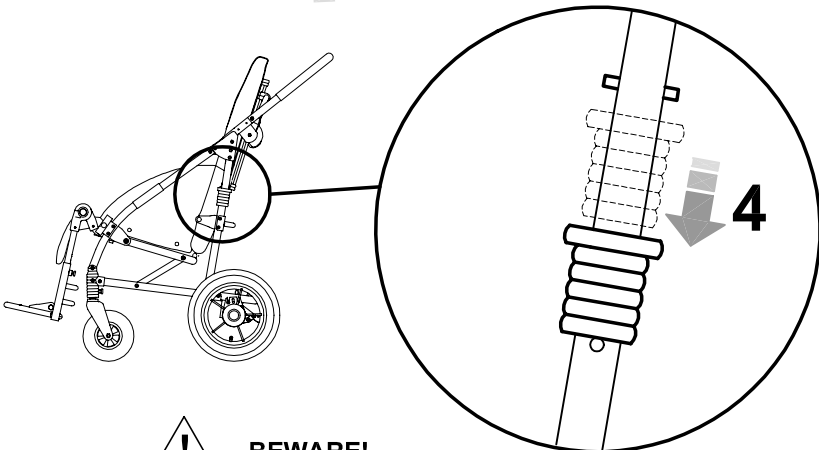
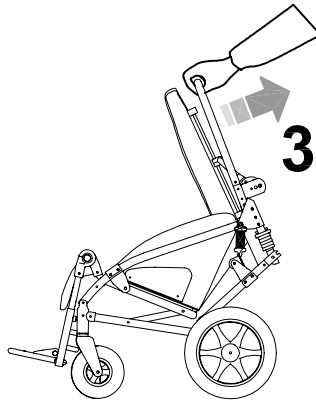
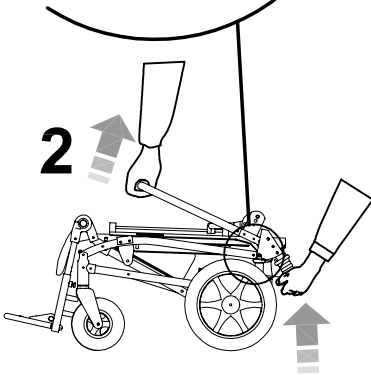


HOW TO ASSEMBLE Novus

OPEN AND BLOCK THE PUSHCHAIR



- 1 UNLOCK THE LOCKING STRAP TO FOLD THE FRAME**
- 2-3 PULL THE PUSH-HANDLE TILL THE PUSHCHAIR IS COMPLETELY OPENED. A CLICK WILL MEAN THAT THE FRAME IS WELL LOCKED.**
- 4 FINALLY,PUSH THE BLACK LOCKING MECHANISMS DOWN**



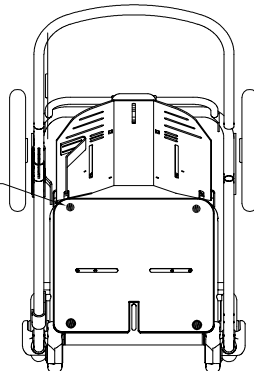
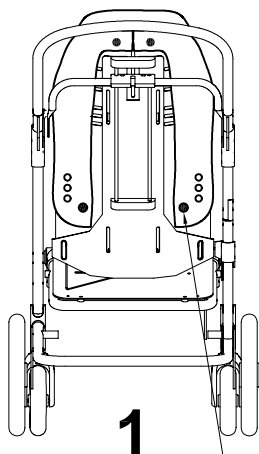
BEWARE!

BEFORE USING THE PUSHCHAIR MAKE SURE THAT THE BLACK SAFETY LOCKING MECHANISMS ARE PUSHED DOWN

FIX THE UPHOLSTERY TO THE SEAT

VIEW FROM THE BACK

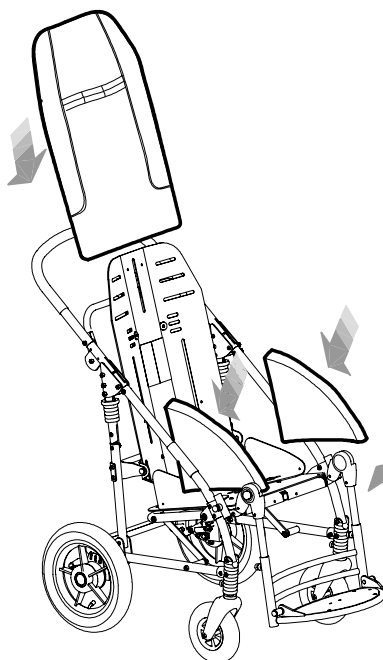
VIEW FROM THE TOP



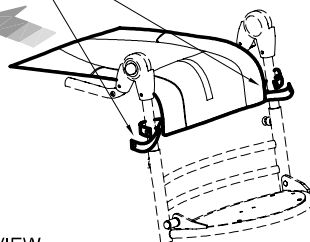
2

FIX IT TO THE SEAT OF THE FRAME THANKS TO THE FOUR STUDS

1
FIX IT TO THE BACK OF THE FRAME THANKS TO THE FOUR STUDS



STRAPS WITH BUTTONS FOR ATTACHING CUSHION

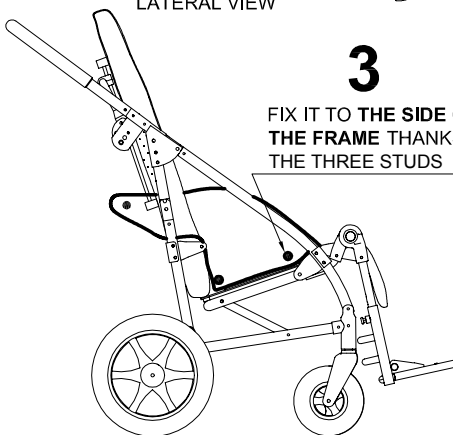
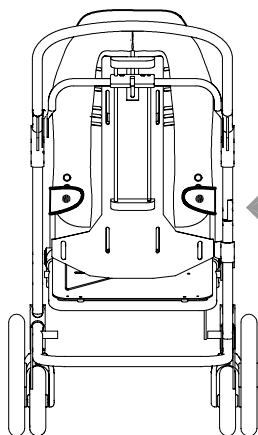


VIEW FROM THE BACK

LATERAL VIEW

3

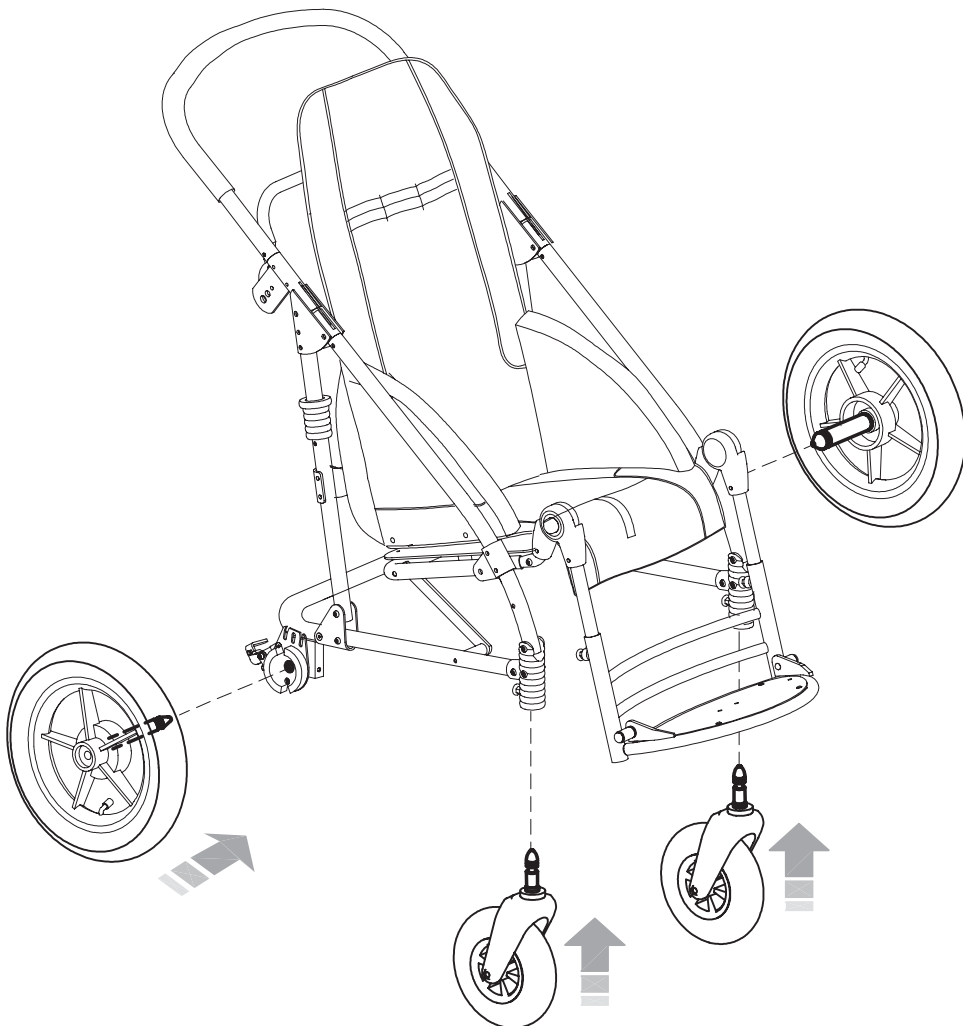
FIX IT TO THE SIDE OF THE FRAME THANKS TO THE THREE STUDS



FIX THE WHEELS

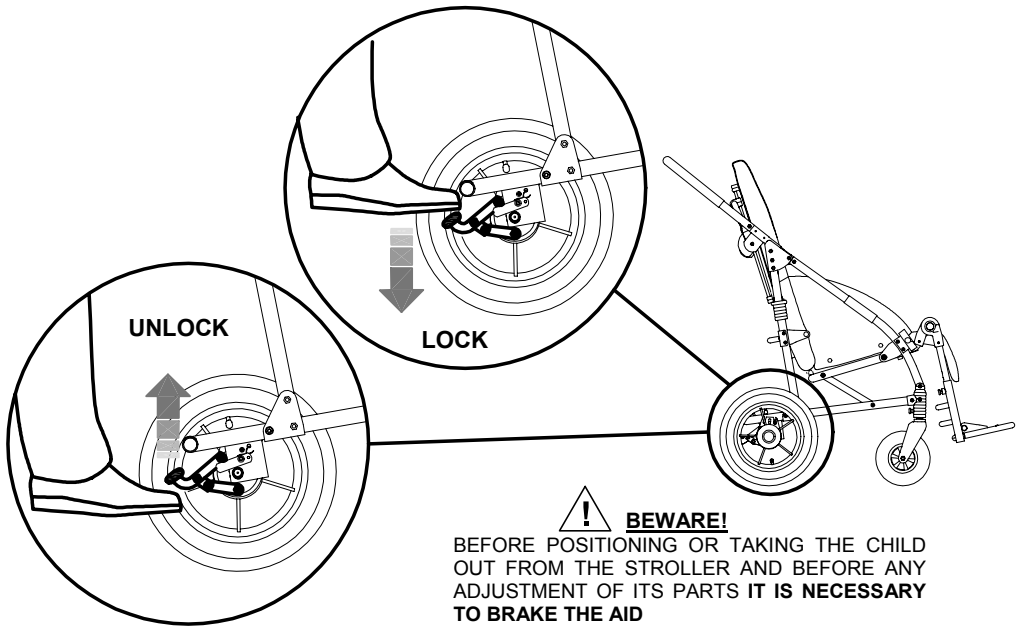
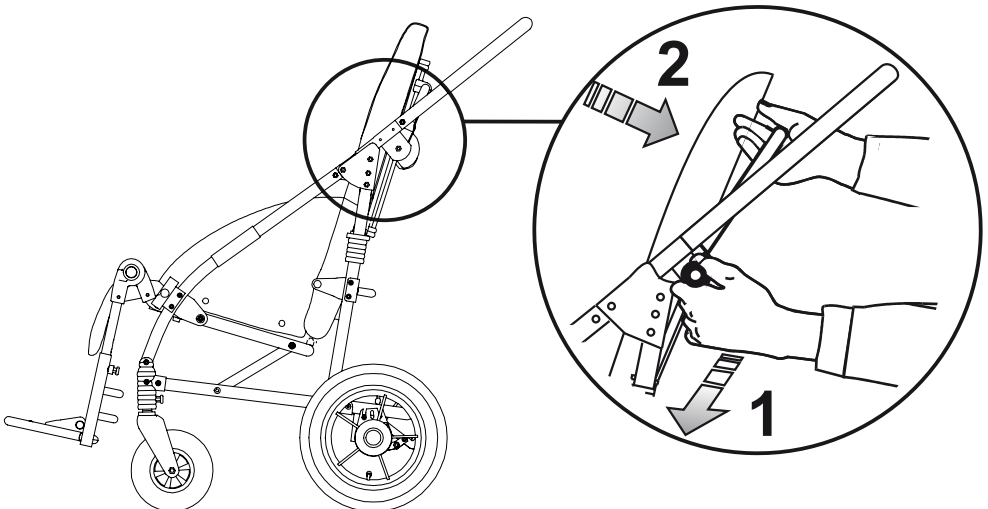
FIX THE WHEELS AS IT IS SHOWN IN THE PICTURE.

A **CLICK** MEANS THAT THE WHEELS HAVE BEEN WELL LOCKED

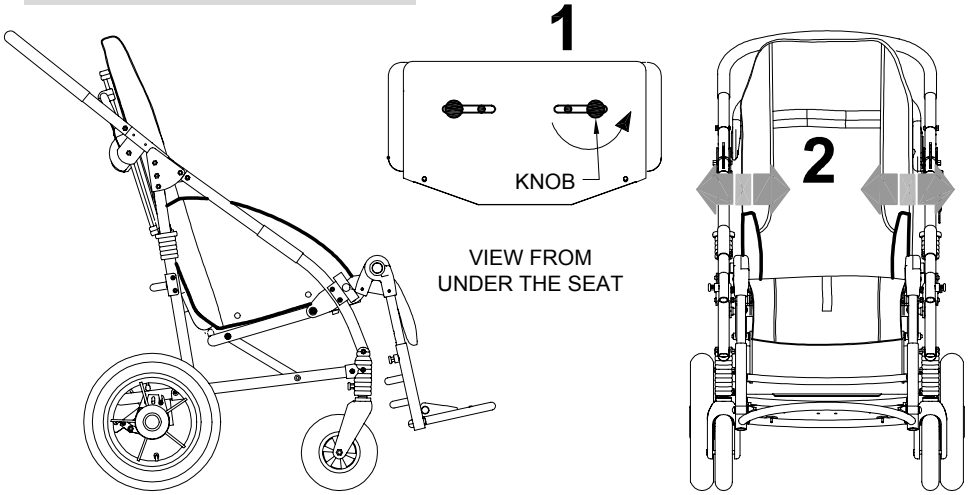


BEWARE!

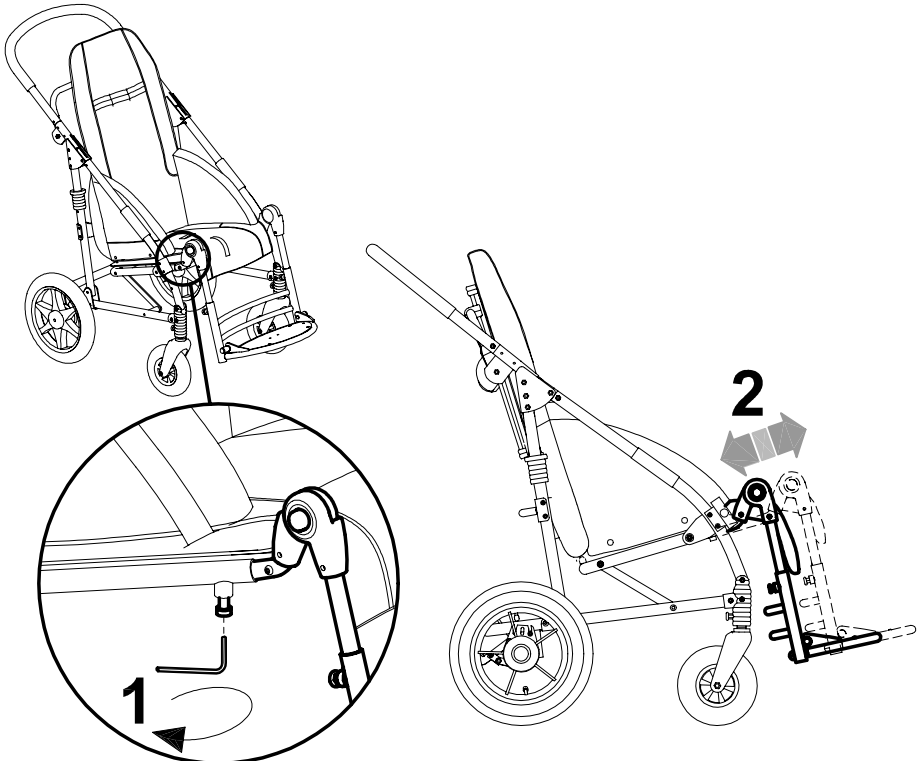
**BEFORE USING THE PUSHCHAIR,
MAKE SURE THAT THE WHEELS
ARE WELL LOCKED**

HOW NOVUS WORKS AND HOW TO USE IT**BRAKING the STROLLER****ADJUSTMENT of the BACKREST**

ADJUSTMENT of the SEAT WIDTH



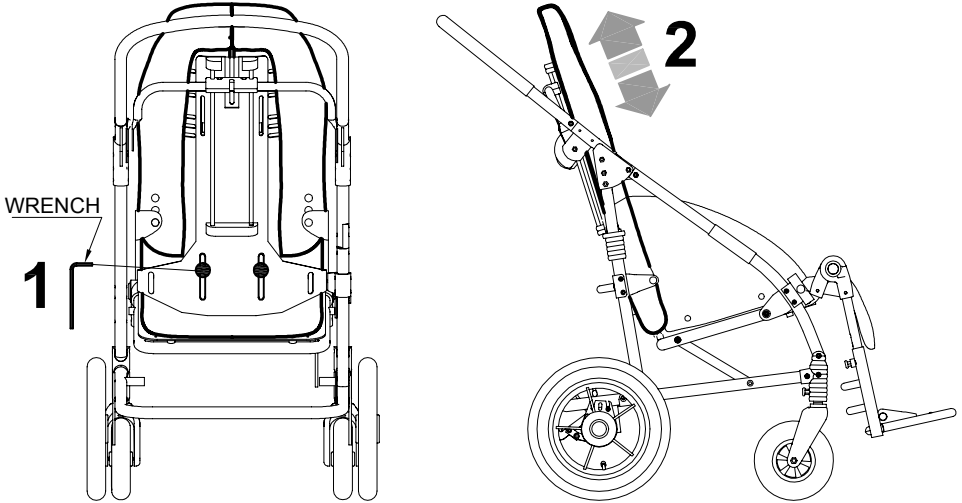
ADJUSTMENT of the SEAT DEPTH



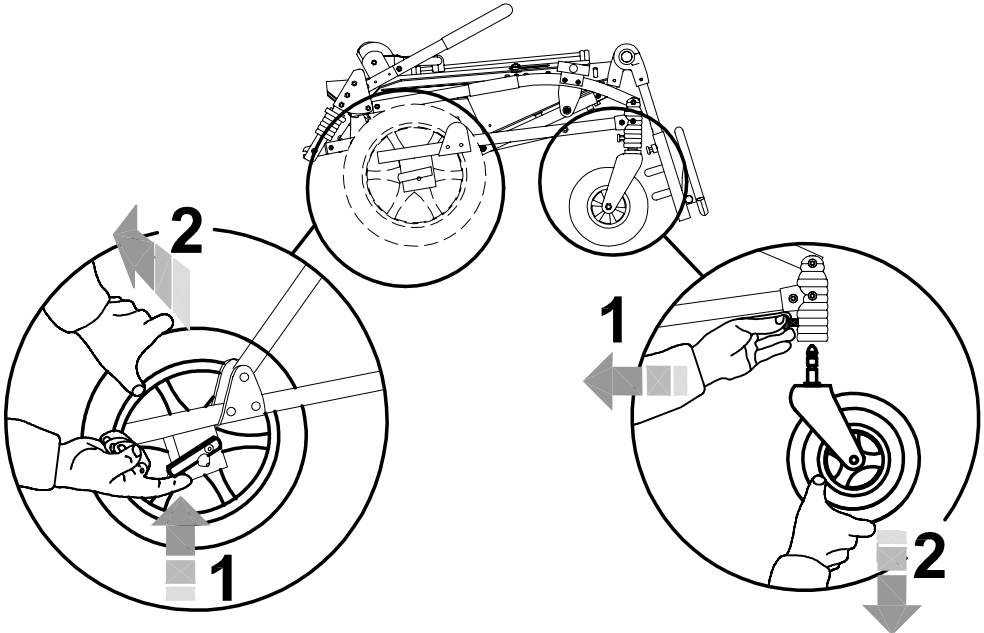
ADJUSTMENT of the BACKREST HEIGHT

- LOOSEN THE TWO SCREWS ON THE BACK OF THE BACKREST USING THE SUPPLIED ALLEN KEY
- SET THE BACKREST HEIGHT TO THE REQUIRED POSITION
- TIGHTEN THE SCREWS

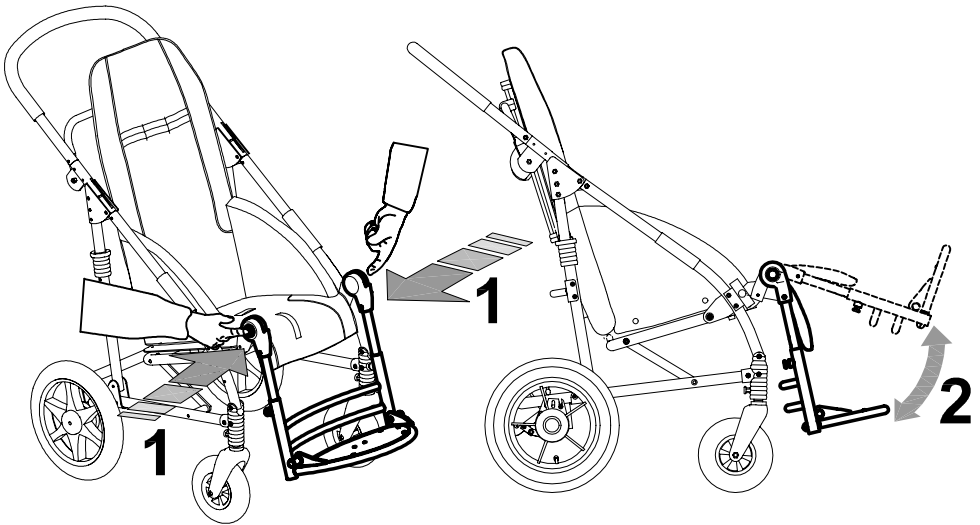
VIEW FROM THE BACK



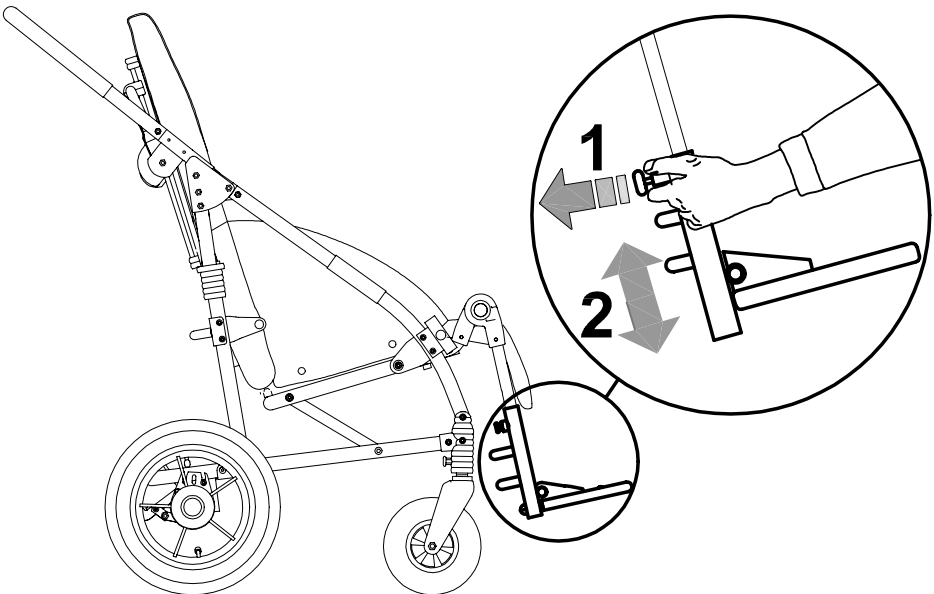
REMOVING the WHEELS



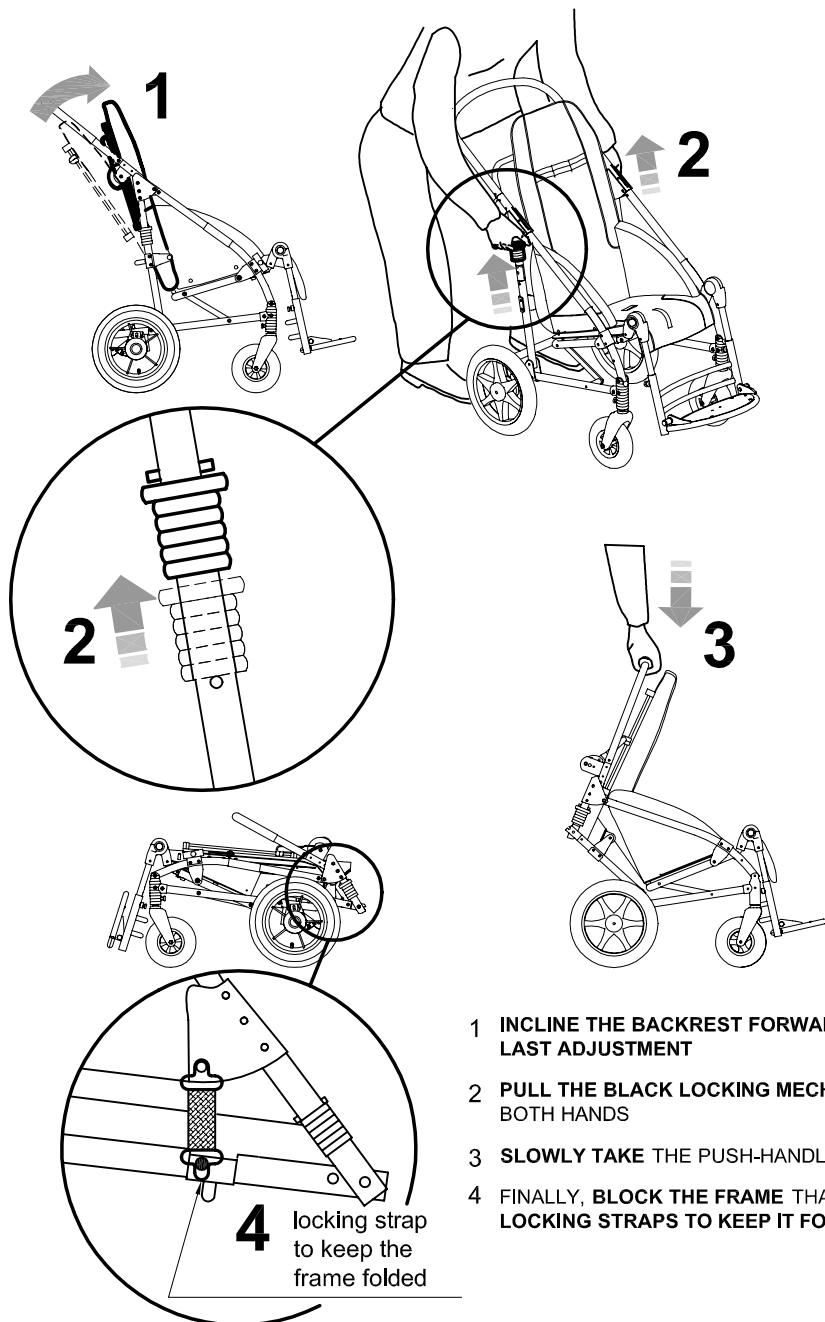
ADJUSTMENT of the LEGREST



ADJUSTMENT of the FOOTREST



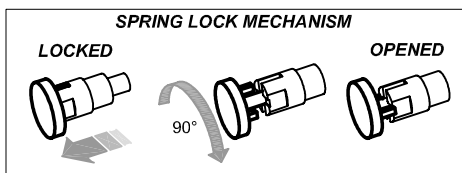
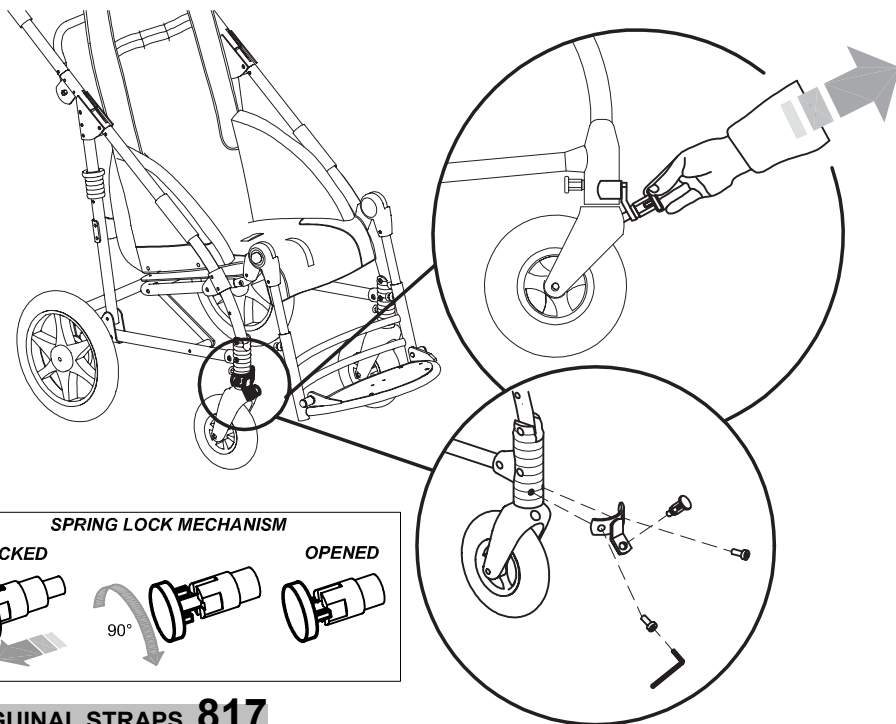
FOLDING the STROLLER



- 1 INCLINE THE BACKREST FORWARDS TILL ITS LAST ADJUSTMENT**
- 2 PULL THE BLACK LOCKING MECHANISMS WITH BOTH HANDS**
- 3 SLOWLY TAKE THE PUSH-HANDLE DOWN**
- 4 FINALLY, BLOCK THE FRAME THANKS TO ITS LOCKING STRAPS TO KEEP IT FOLDED**

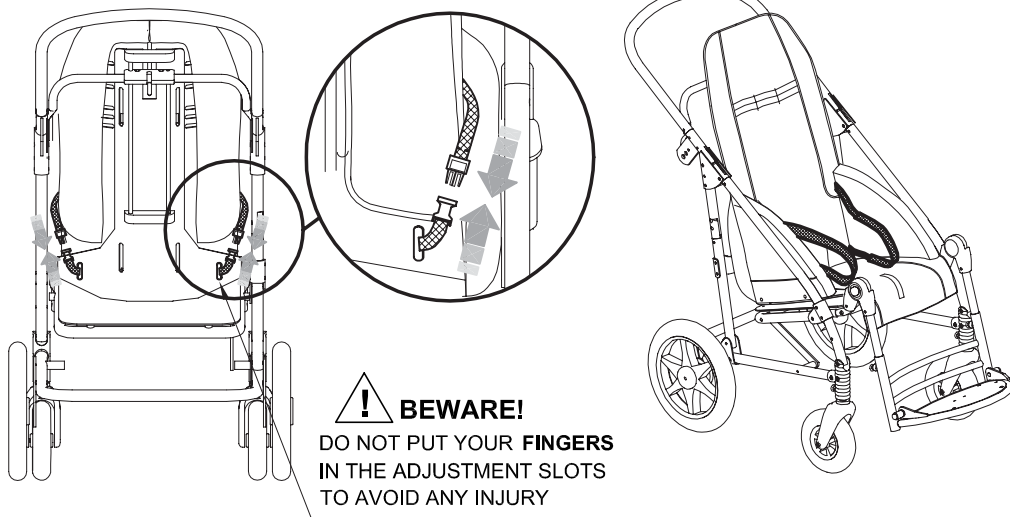
FIXING THE ACCESSORIES

WHEEL DIRECTION LOCKS 812

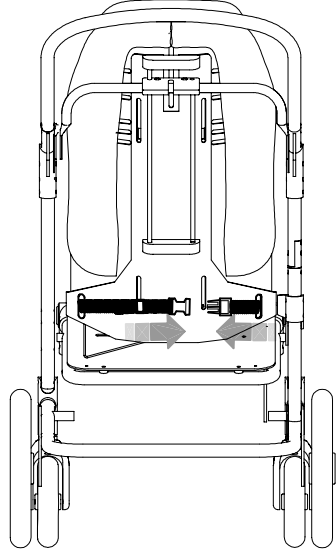
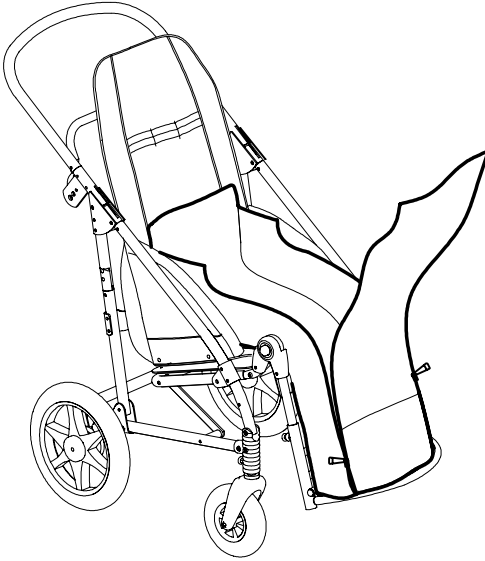


INGUINAL STRAPS 817

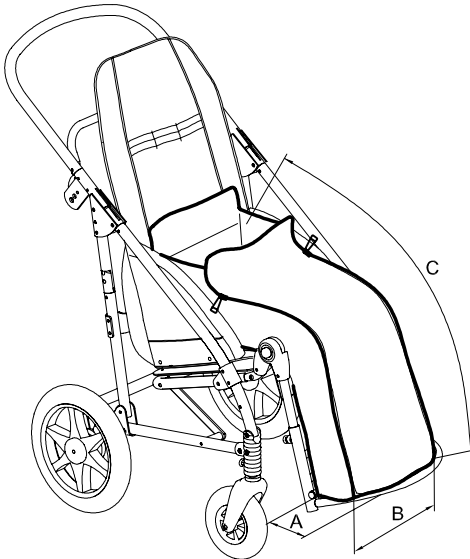
VIEW FROM THE BACK



THERMAL COVER 818

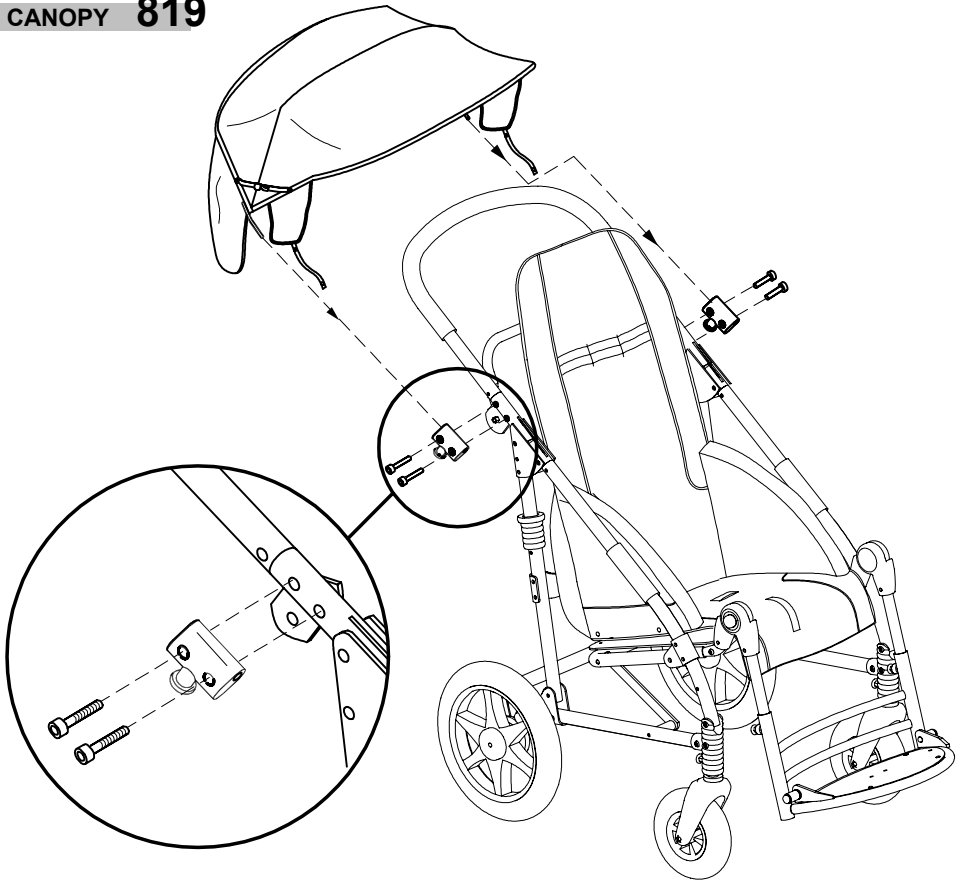


REAR VIEW

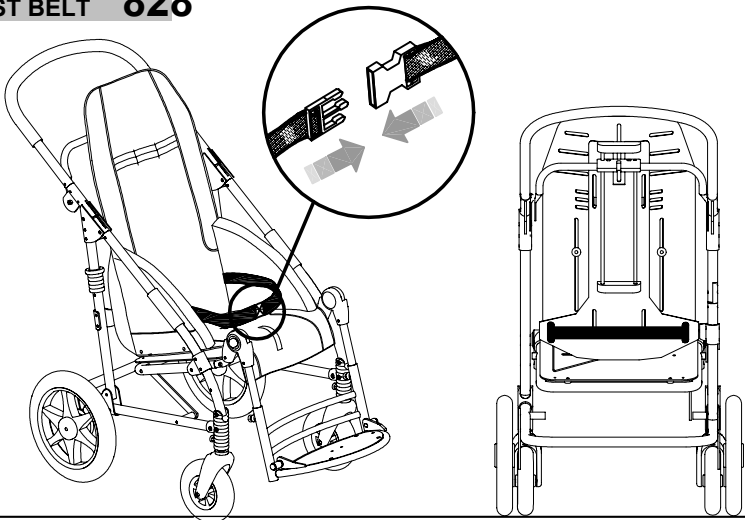


NOVUS SIZE	A (cm)	B (cm)	C (cm)
2	20	29	70
3	25	35	80
4	29	35	90

CANOPY 819

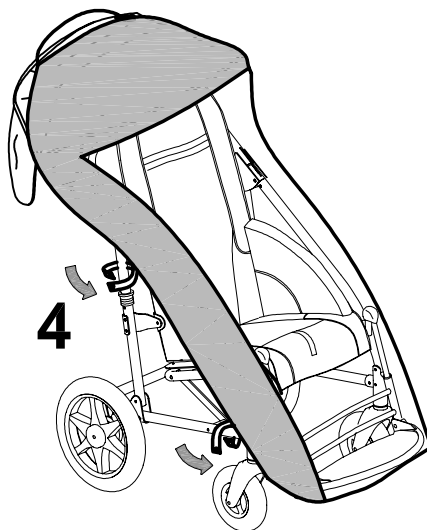
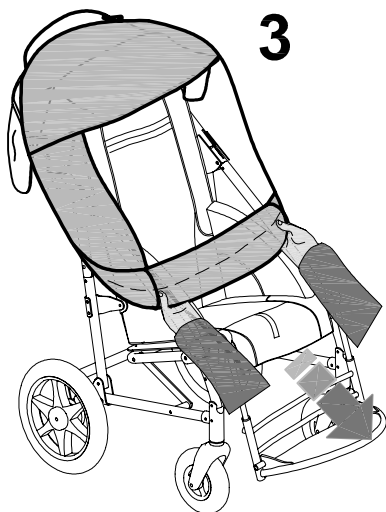
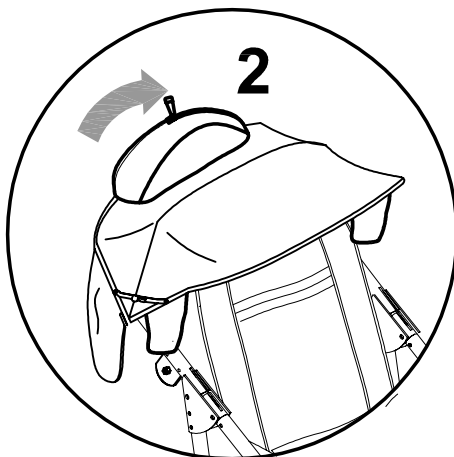
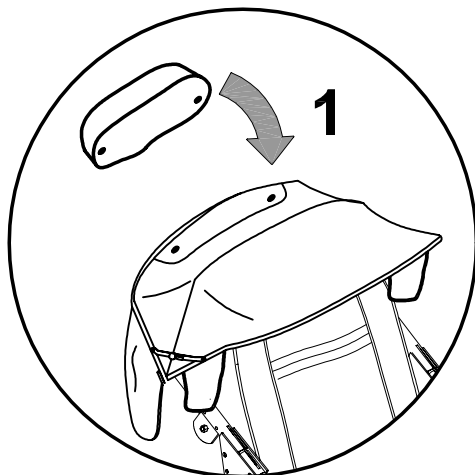


CHEST BELT 828



RAIN COVER 825

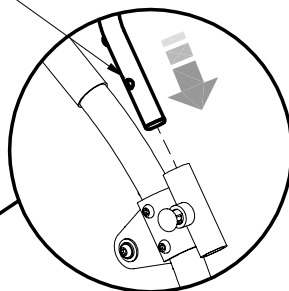
BEWARE!
 THE RAINCOVER CAN BE FIXED **ONLY AFTER**
ASSEMBLING THE CANOPY 819



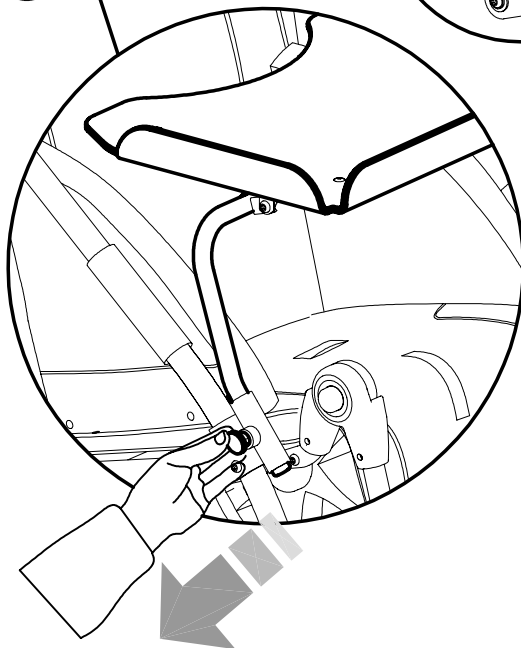
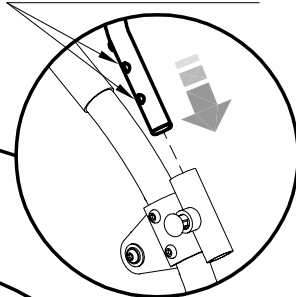
- 1 **FIX THE SMALL BAG** CONTAINING THE RAINCOVER THANKS TO THE TWO BUTTONS
- 2 **OPEN** THE ZIPPER OF THE SMALL BAG
- 3 **TAKE THE RAINCOVER OUT OF THE SMALL BAG**, UNROLL AND FIX IT IN SUCH A WAY TO COVER THE PUSH-CHAIR
- 4 **FIX THE RAINCOVER TO THE FRAME** THANKS TO THE SMALL STRAPS WITH BUTTONS
- 5 AFTER USING THE RAINCOVER **ROLL IT AGAIN CAREFULLY** TO MAKE IT EASIER TO PUT IT BACK INTO THE SMALL BAG

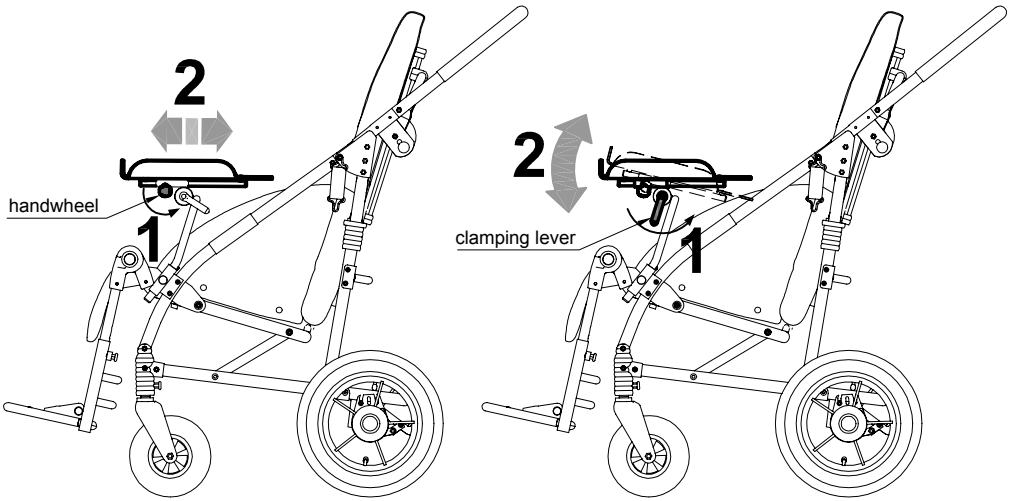
TRAY 824

Sizes 2 and 3
(one adjustment position)



Size 4
(two adjustment position)

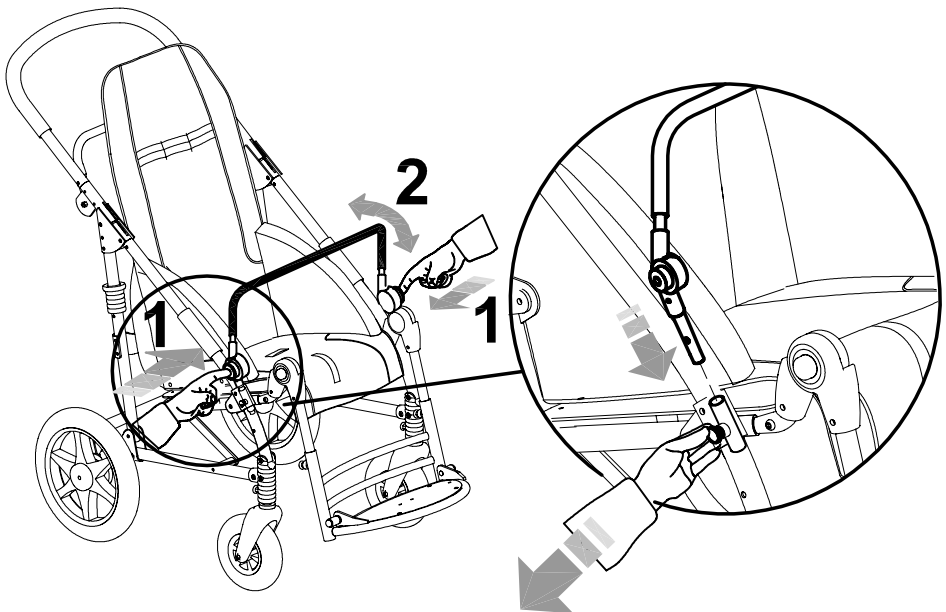




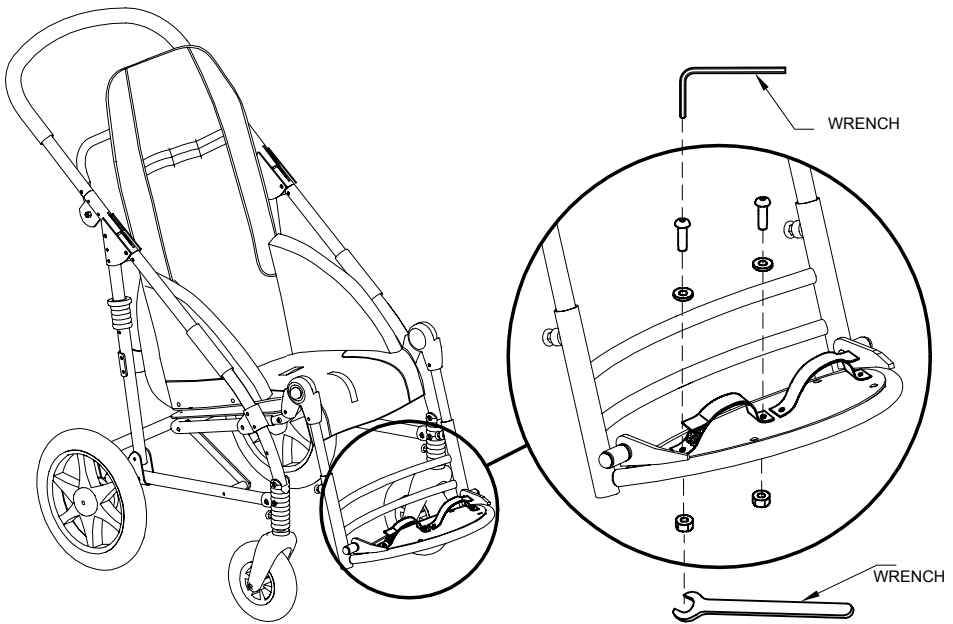
! ATTENTION! TIGHTEN THE KNOB

FRONT HANDLE 839

PRESS BOTH PUSH-BUTTONS AT THE SAME TIME TO ADJUST THE INCLINATION OF THE FRONT HANDLE

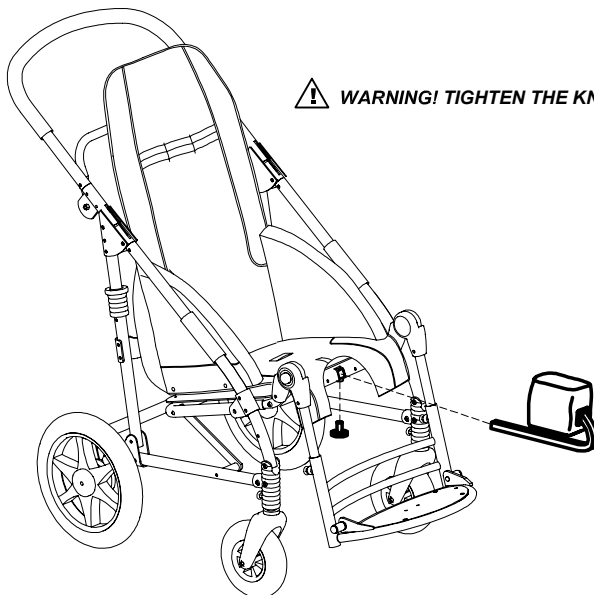


FOOTSTRAPS 827



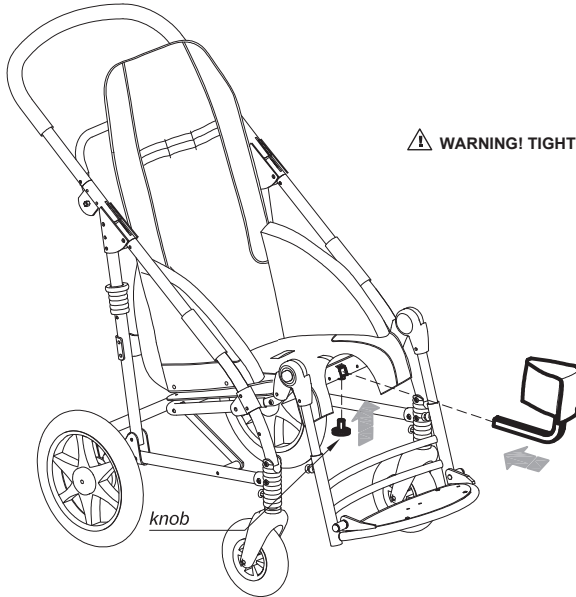
ABDUCTION BLOCK 834

 **WARNING! TIGHTEN THE KNOB**



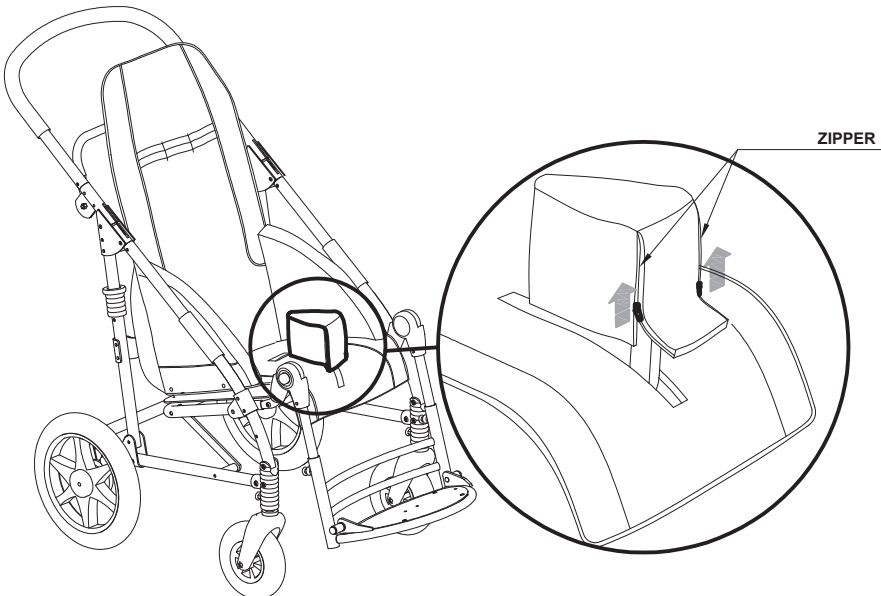
ADJUSTABLE ABDUCTION BLOCK 834R

A INSERT THE ABDUCTION BLOCK AND TIGHTEN THE KNOB

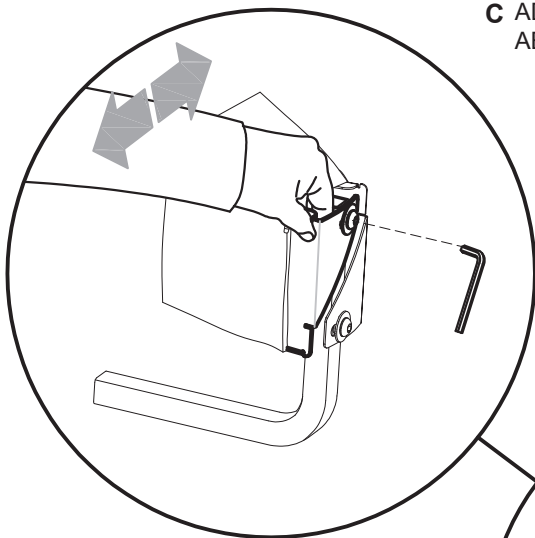


⚠ WARNING! TIGHTEN THE KNOB WELL

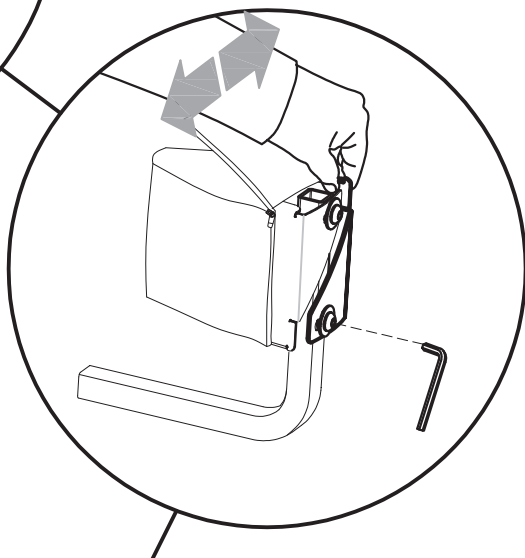
B OPEN THE EDGE COVER USING THE TWO ZIPPERS



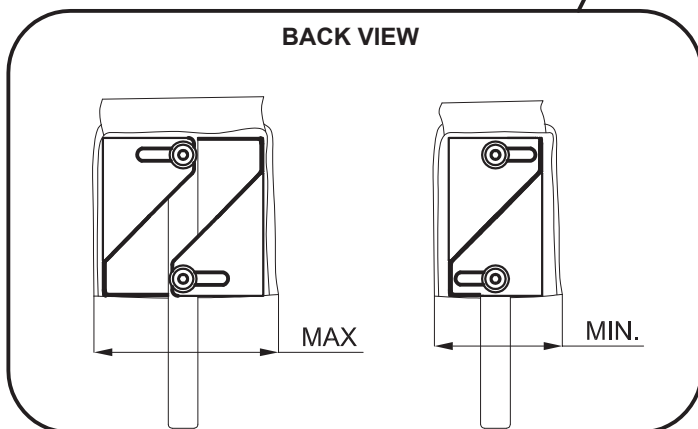
C ADJUST THE LEFT PART OF THE ABDUCTION BLOCK SHEET IN WIDTH.



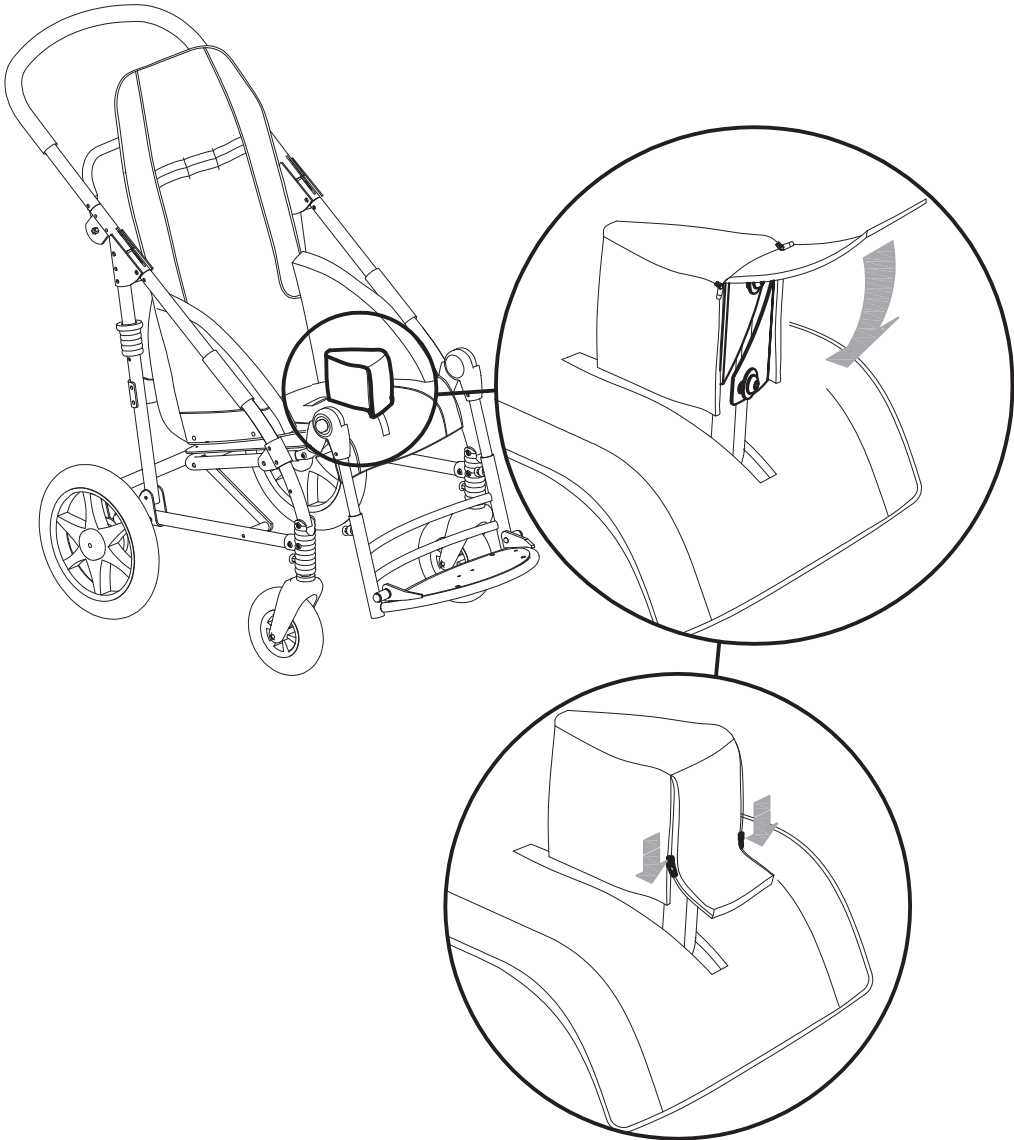
D ADJUST THE RIGHT PART OF THE ABDUCTION BLOCK SHEET IN WIDTH



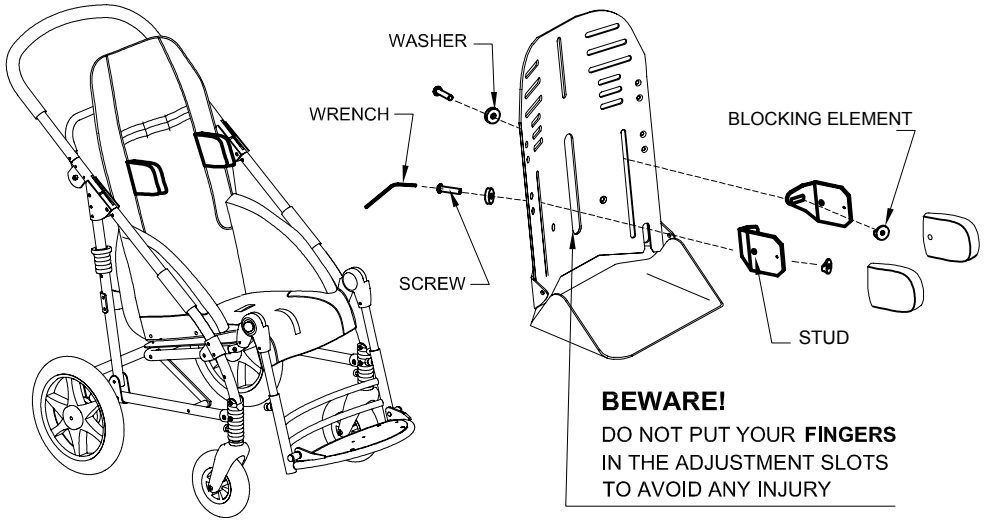
BACK VIEW



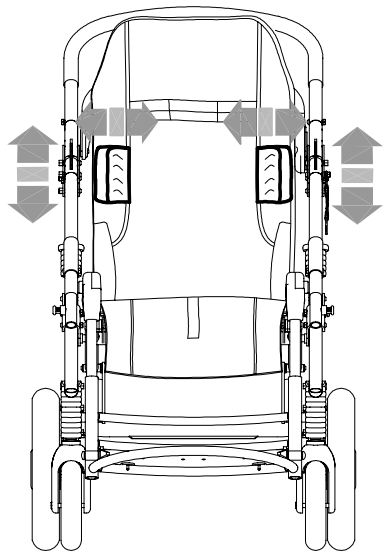
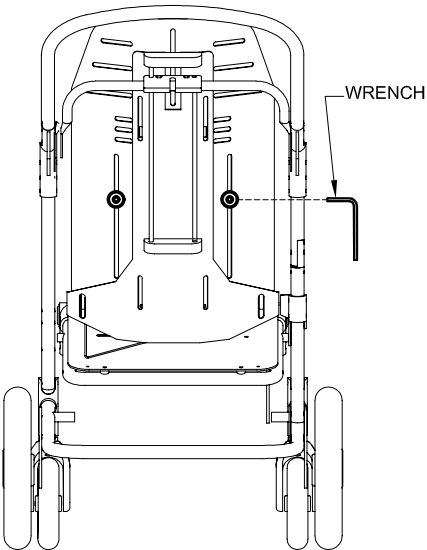
E CLOSE THE EDGE COVER USING THE TWO ZIPPERS



PADDED SIDE SUPPORTS 838

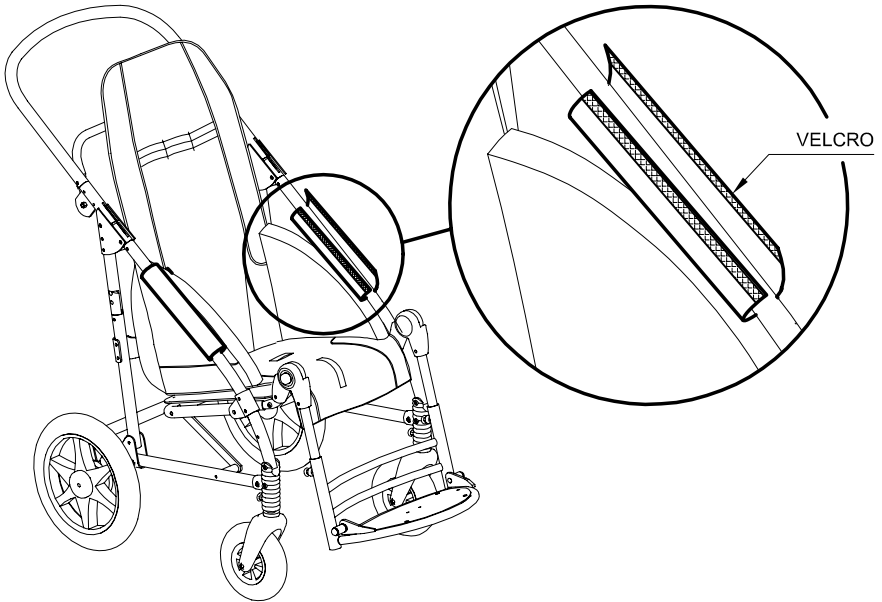


VIEW FROM THE BACK

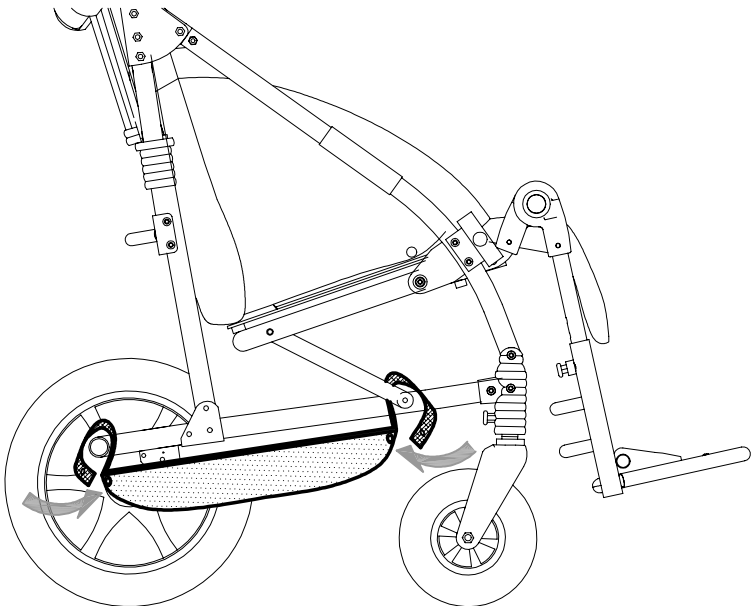


**LOOSEN THE SCREWS ON THE BACK OF THE SEAT
USING THE SUPPLIED WRENCH
TO ADJUST THE
POSITION OF THE SIDE SUPPORTS**

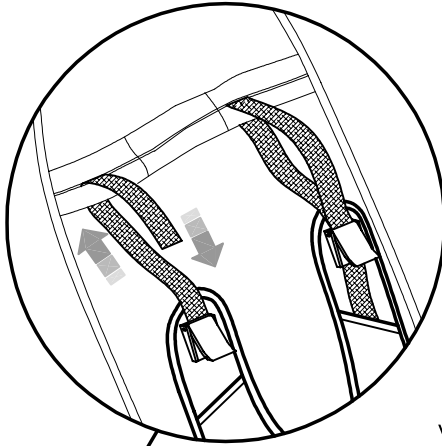
SIDE PROTECTING COVERS 844



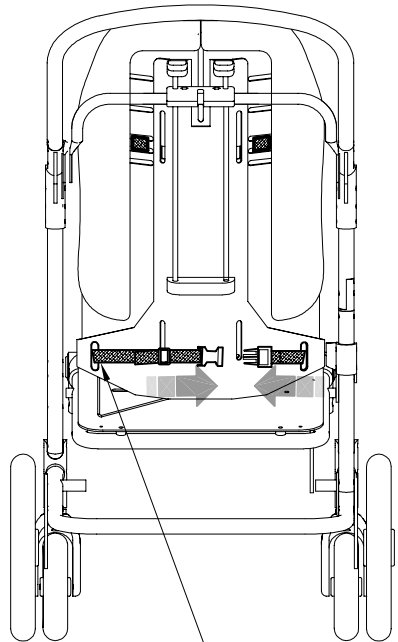
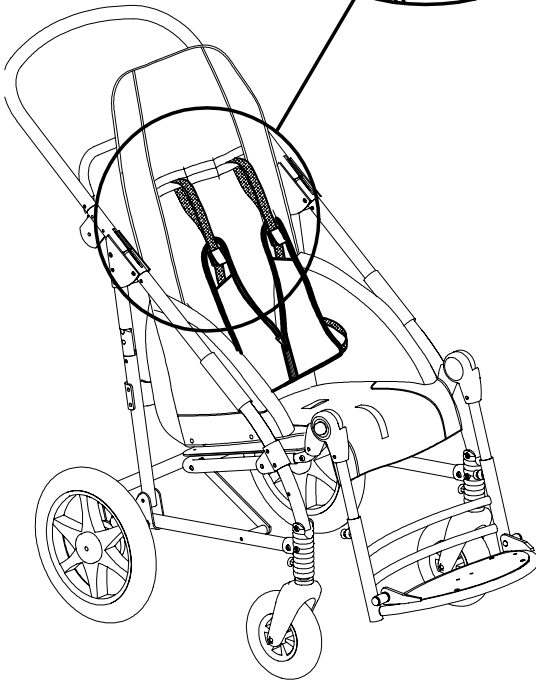
MESH BASKET 858



VEST HARNESS 853



VIEW FROM THE BACK



BEWARE!

DO NOT PUT YOUR **FINGERS** IN THE
ADJUSTMENT SLOTS TO AVOID ANY INJURY

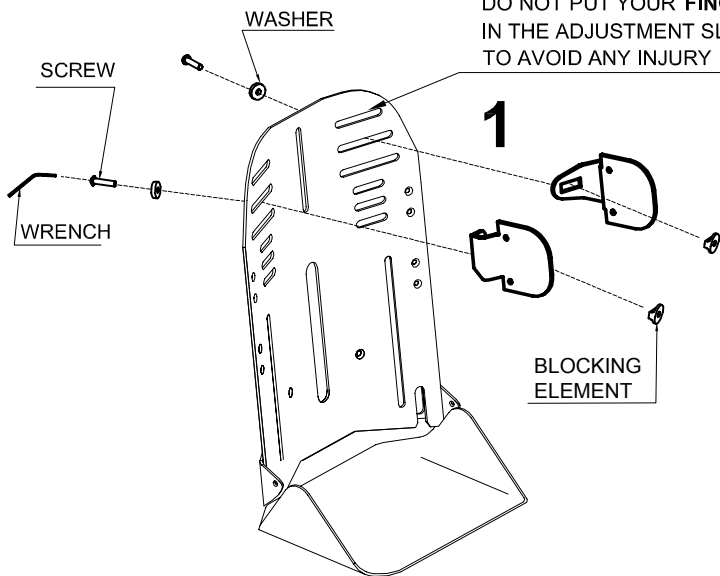
HEADREST with PARIETAL SUPPORTS 852

It is adjustable in height and width

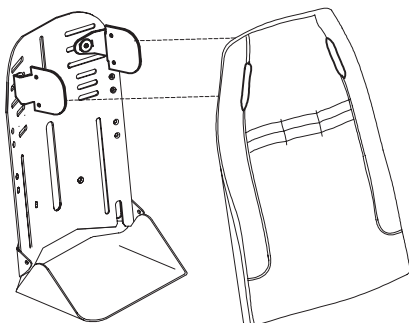


BEWARE!

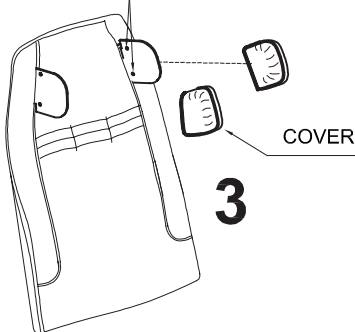
DO NOT PUT YOUR **FINGERS** IN THE ADJUSTMENT SLOTS TO AVOID ANY INJURY



2



BUTTONS TO FIX THE COVER



1 FIXING THE METAL PARTS OF THE HEADREST

2 FIXING THE UPHOLSTERY

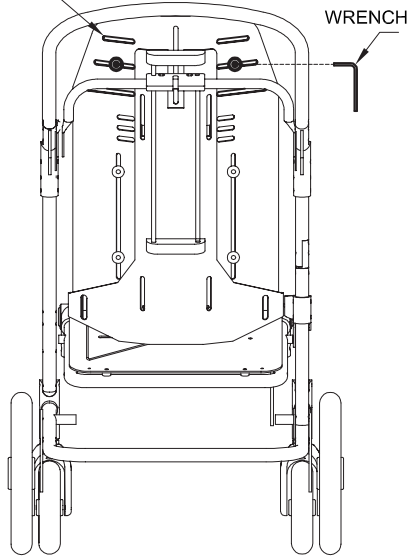
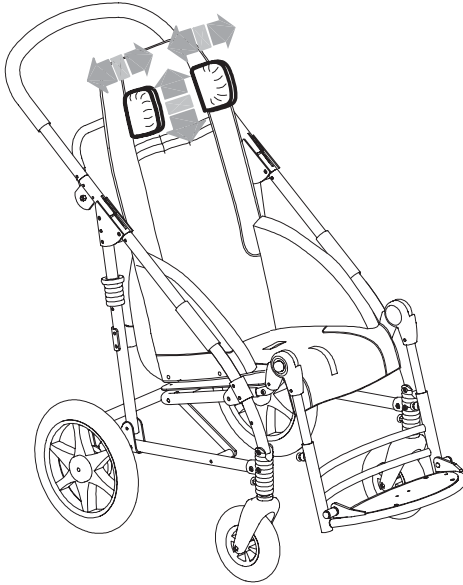
3 FIXING THE COVER



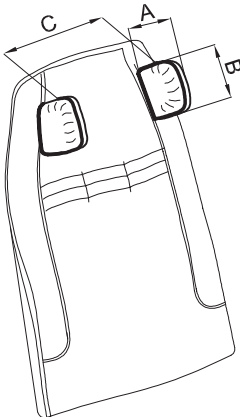
BEWARE!

**DO NOT PUT YOUR FINGERS
IN THE ADJUSTMENT SLOTS
TO AVOID ANY INJURY**

VIEW FROM THE BACK



**SLIGHTLY LOOSEN THE SCREWS ON THE BACK
OF THE BACKREST USING THE SUPPLIED WRENCH TO ADJUST THE
POSITION OF THE HEADREST**



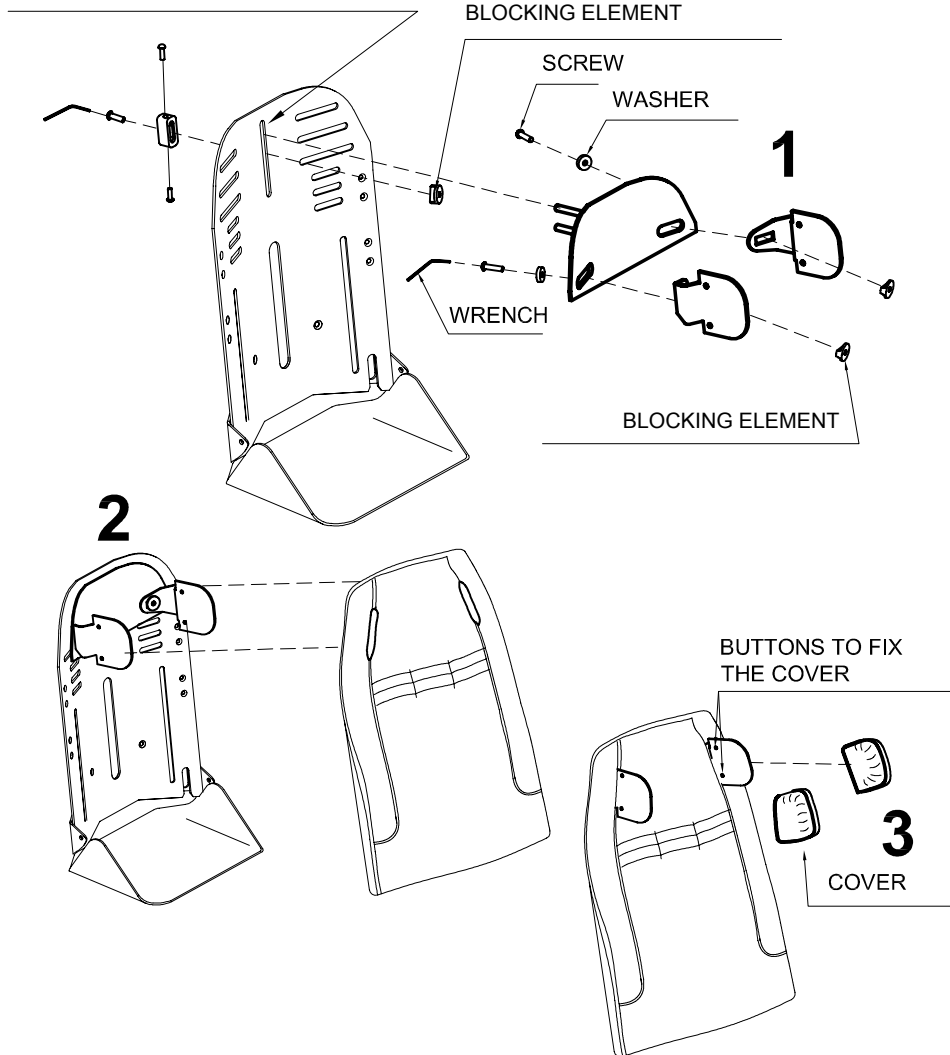
NOVUS SIZE	A (cm)	B (cm)	C (cm)
2	11	11.5	11 - 20
3	11	11.5	13 - 23
4	14	11.5	16 - 29

HEADREST with OCCIPITAL PARIETAL SUPPORTS 863

It is adjustable in height, width, tilt, forwards and backwards

BEWARE!

DO NOT PUT YOUR **FINGERS**
IN THE ADJUSTMENT SLOTS
TO AVOID ANY INJURY



- 1 FIXING THE **METAL PARTS OF THE HEADREST**
- 2 FIXING THE **UPHOLSTERY**
- 3 FIXING THE **COVER**

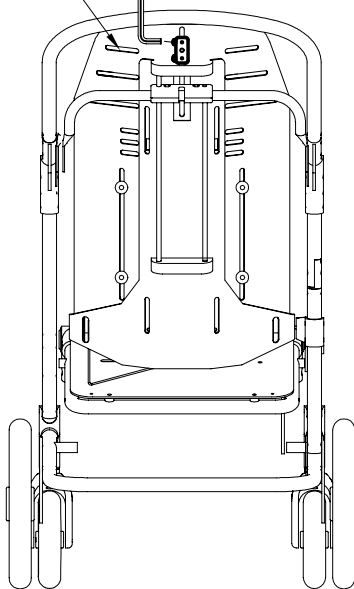
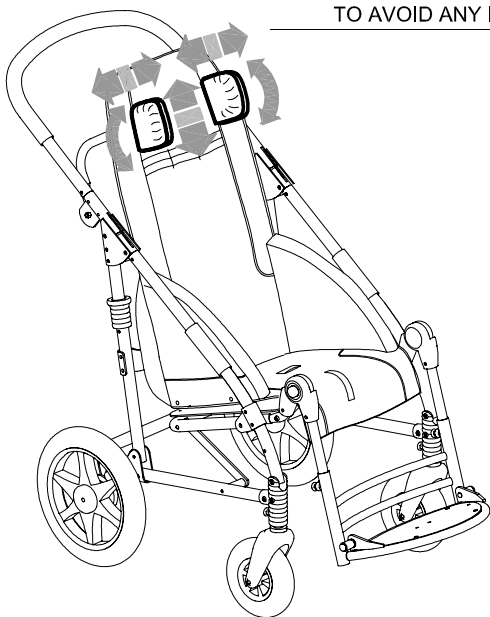


BEWARE!

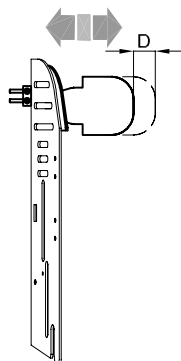
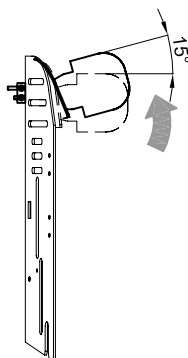
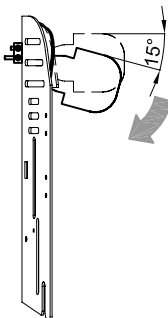
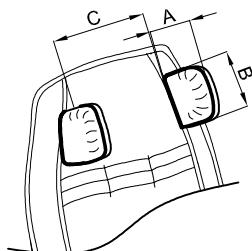
DO NOT PUT YOUR **FINGERS**
IN THE ADJUSTMENT SLOTS
TO AVOID ANY INJURY

VIEW FROM THE BACK

WRENCH



**SLIGHTLY LOOSEN THE SCREWS ON THE BACK
OF THE BACKREST USING THE SUPPLIED WRENCH TO ADJUST THE
POSITION OF THE HEADREST**



NOVUS SIZE	A (cm)	B (cm)	C (cm)	D (cm)
2	11	11.5	15 - 24	0 - 2
3	11	11.5	15 - 24	0 - 2
4	14	11.5	15 - 24	0 - 2

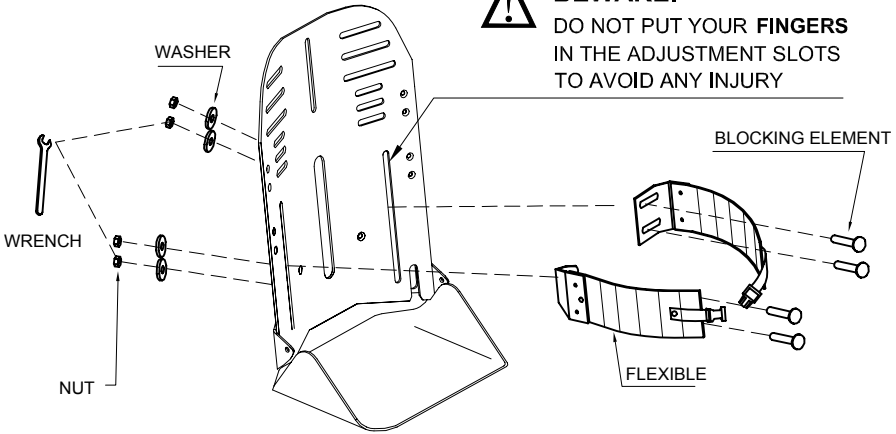
SIDE WRAPPABLE and FLEXIBLE SUPPORTS for the TRUNK 868

They are wrappable for the trunk, and adjustable in height and width

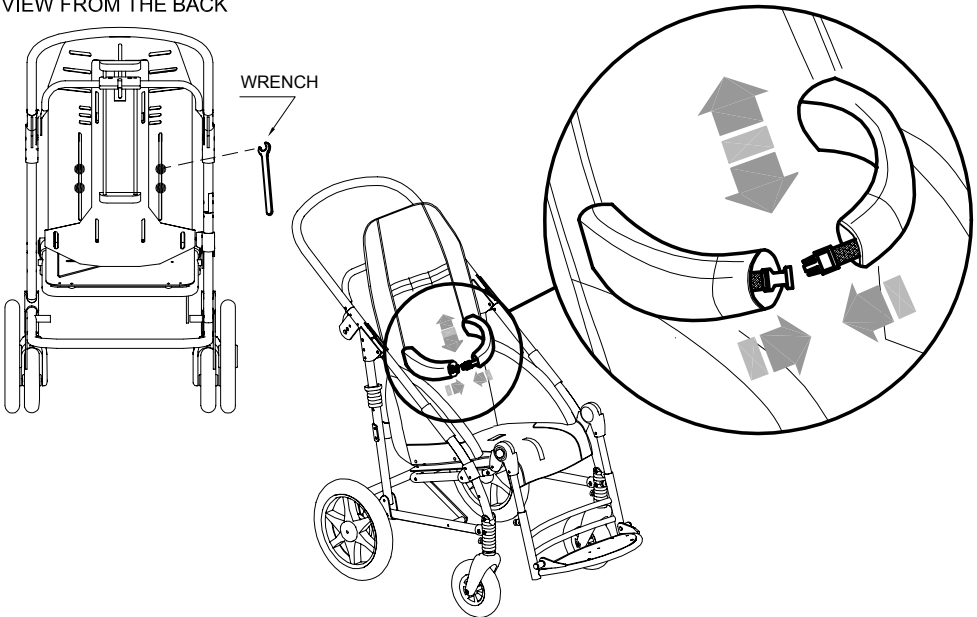


BEWARE!

DO NOT PUT YOUR **FINGERS** IN THE ADJUSTMENT SLOTS TO AVOID ANY INJURY



VIEW FROM THE BACK



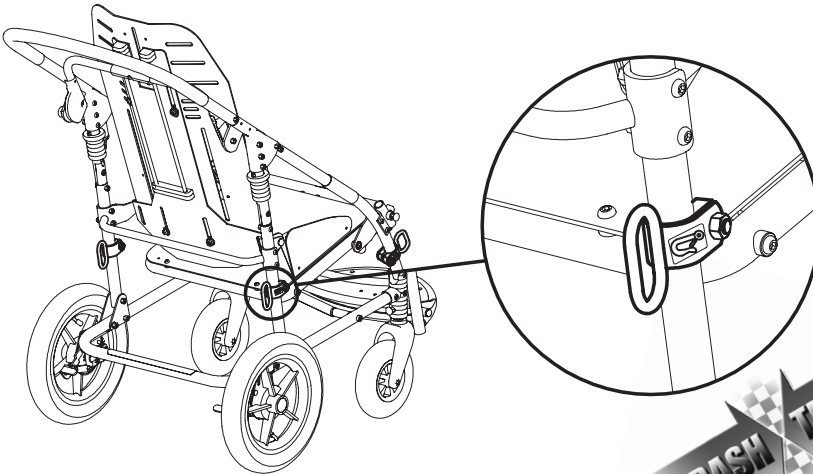
LOOSEN THE SCREWS ON THE BACKREST
USING THE SUPPLIED WRENCH TO ADJUST THE
 POSITION OF THE WRAPPABLE SUPPORTS

891 SET OF 4 TIEDOWN HOOKS (4 RINGS) 891

THE NOVUS STROLLER conforms to the ISO 7176-19 standard, which defines the safety requirements for transport, facing in the direction of travel, on moving vehicles (private cars, buses, etc.)

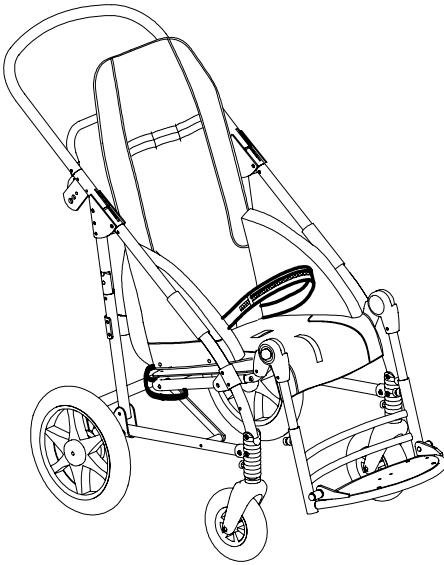
ATTENTION!
FOR THE ASSEMBLY OF THE 891
ACCESSORY AND ANCHORING THE STROLLER
TO THE VEHICLE, CAREFULLY READ THE
INSTRUCTIONS AND NOTICES ON PAGES 9, 10,
11, 12 AND 13 OF THIS MANUAL

VIEW FROM BEHIND

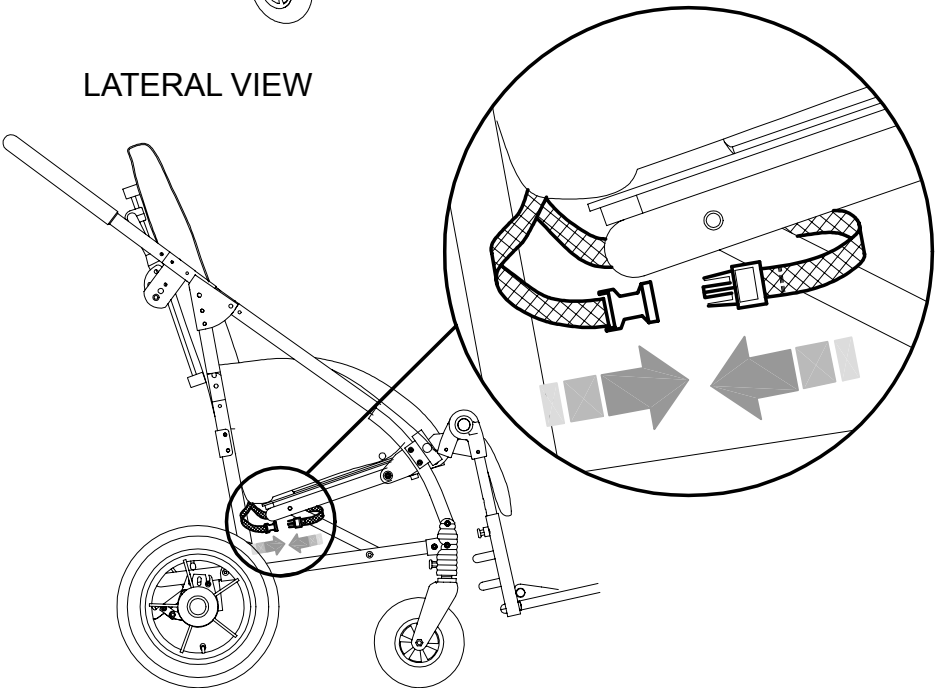


CRASH TESTED
According to the
ANSI RESNA WC19

45° BELT FOR THE PELVIS 894

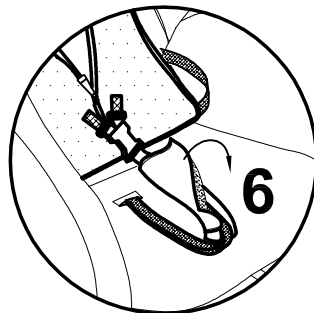
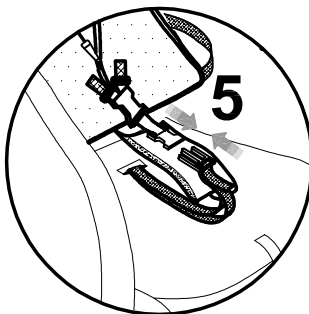
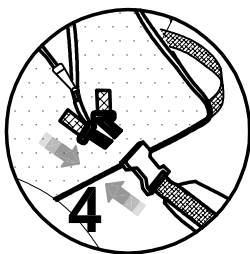
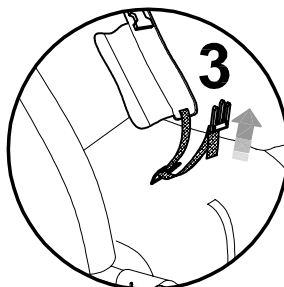
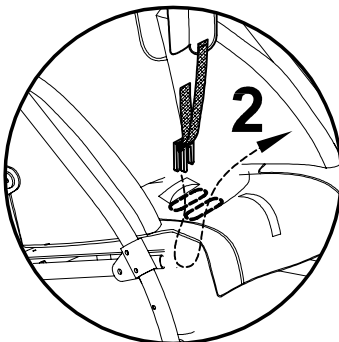
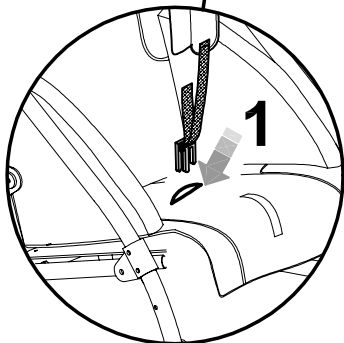
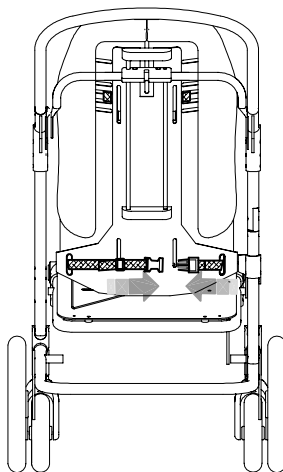
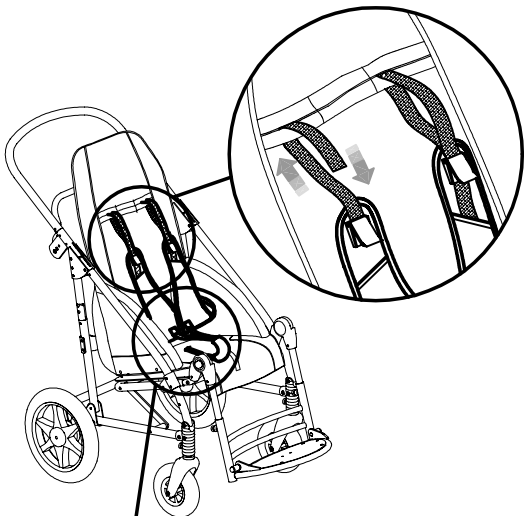


LATERAL VIEW



FIVE POINT VEST HARNESS 903

VIEW FROM THE BACK



BEWARE!

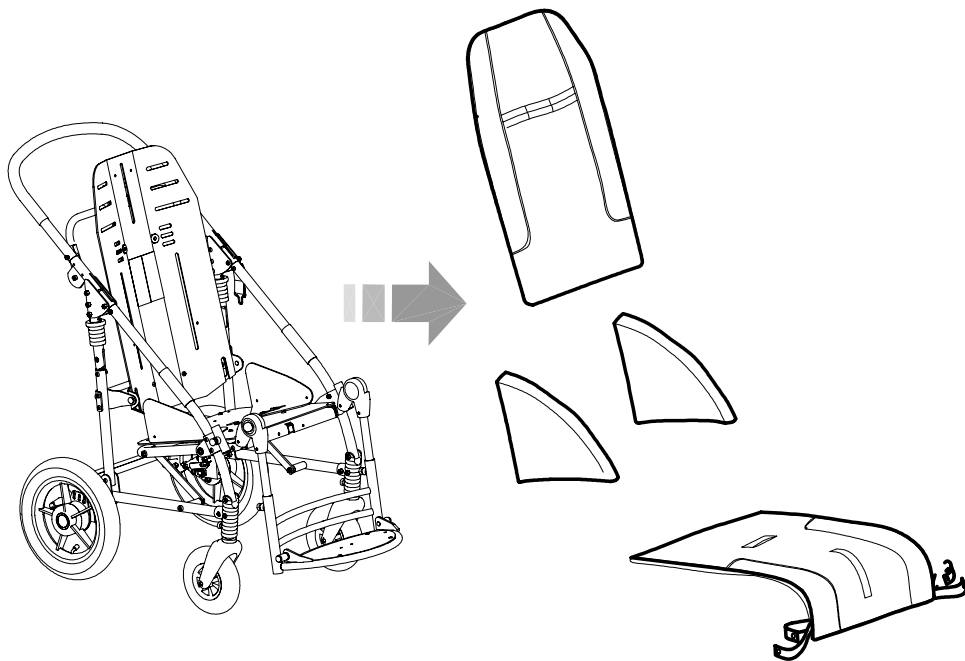
DO NOT PUT YOUR FINGERS
IN THE ADJUSTMENT SLOTS
TO AVOID ANY INJURY

HAND BRAKE 905

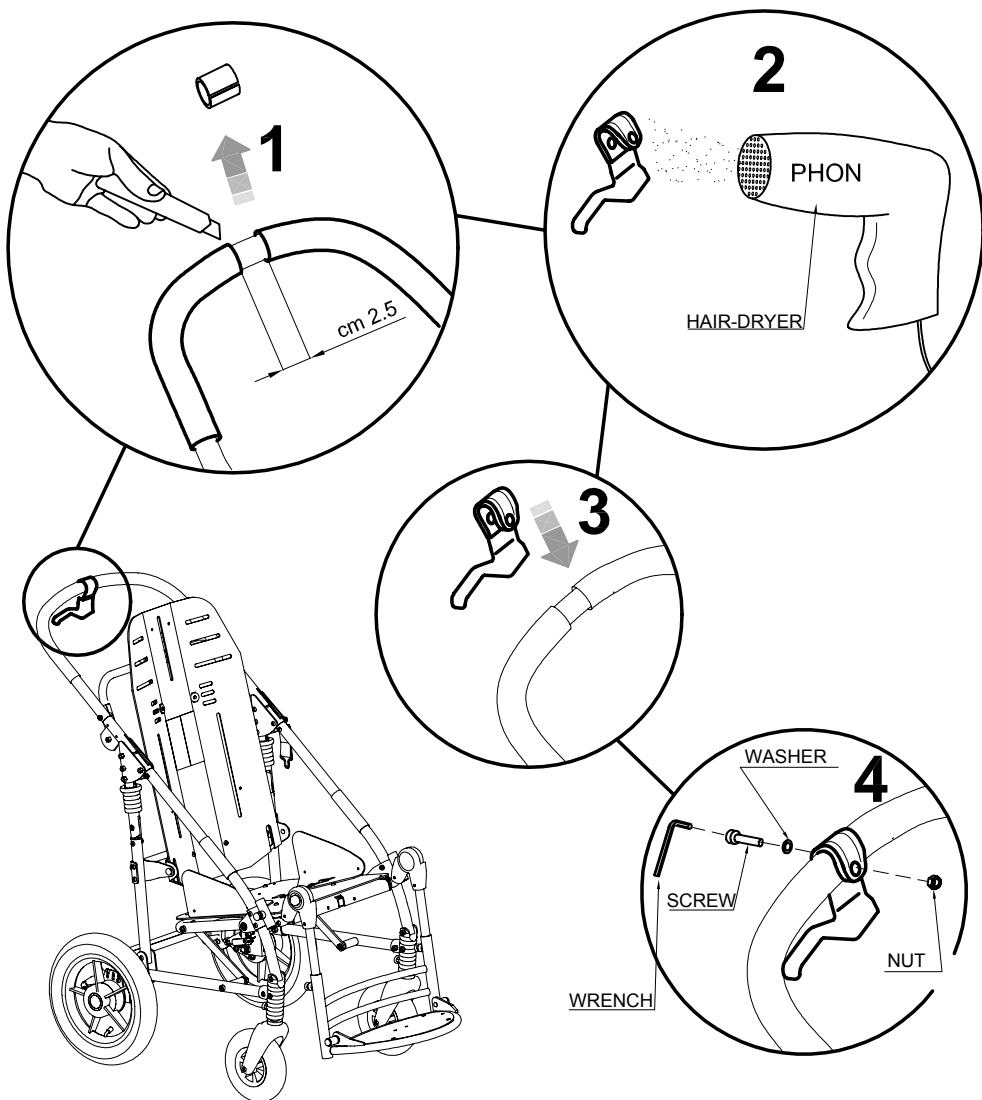
A- REMOVE THE UPHOLSTERY (SEE PAGE 20)

**BEWARE !**

The hand brake must be installed by qualified personnel, such as the manufacturer or the dealer who sold the product or a specialized mechanical company



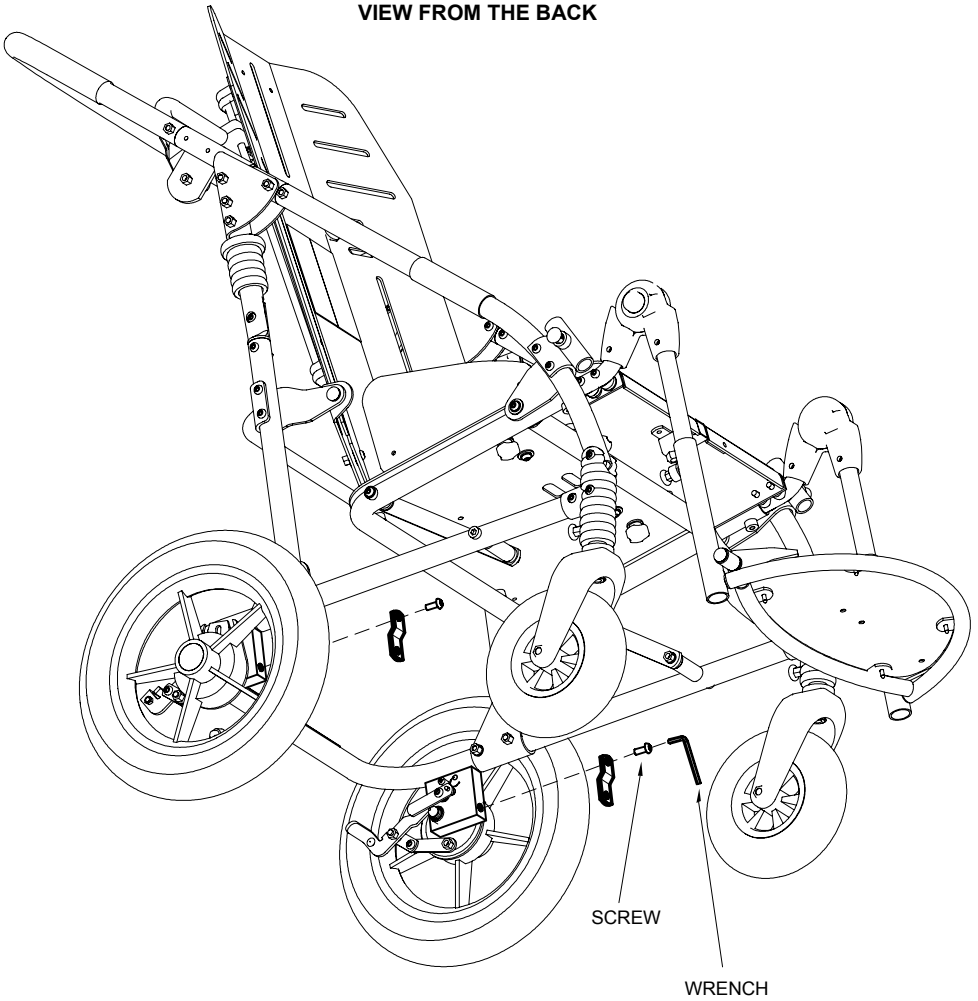
B- FIXING THE LEVER OF THE HAND BRAKE



- 1- CUT AND TAKE 2,5 cm OF THE RUBBER TUBE OUT FROM THE MIDDLE OF THE PUSH HANDLE
- 2- GET THE PLASTIC PART OF THE BRAKE LEVER WARM BY USING A DRYER
- 3- PUT THE BRAKE LEVER ON THE PUSH HANDLE
- 4- FIX AND TIGHTEN THE SCREW, WAASHER AND NUT

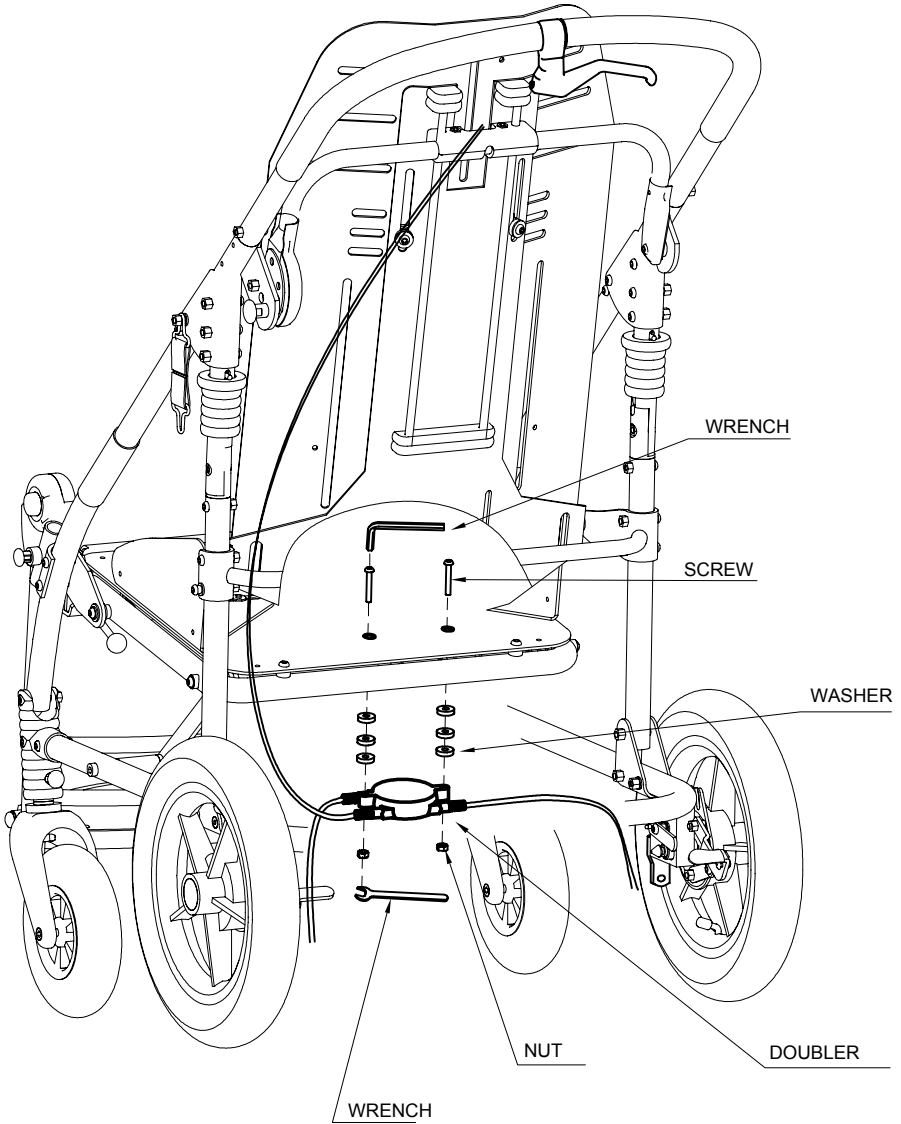
C- ASSEMBLING THE TWO PLATES

VIEW FROM THE BACK



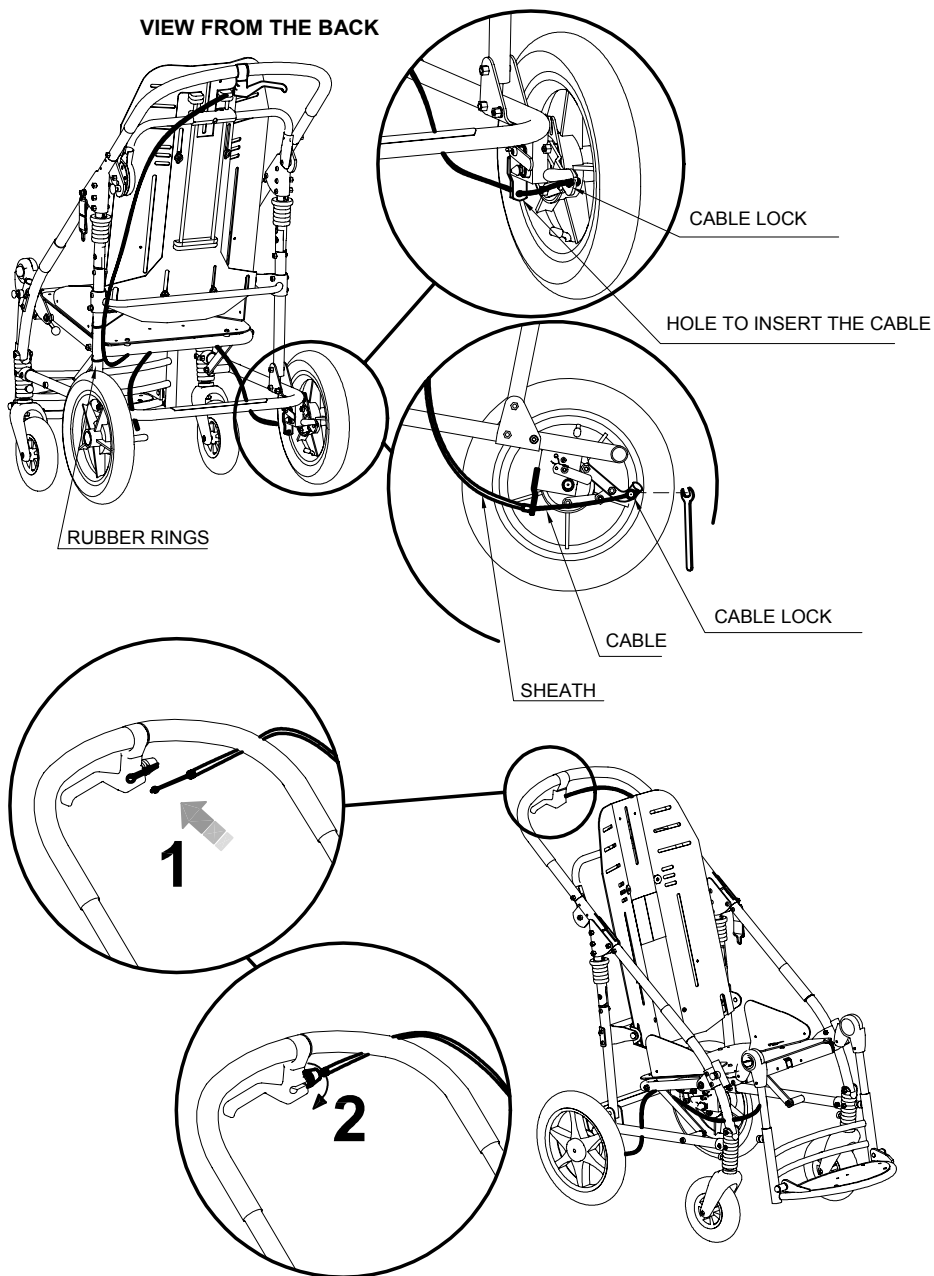
D- FIXING THE DOUBLER OF THE BRAKE

VIEW FROM THE BACK



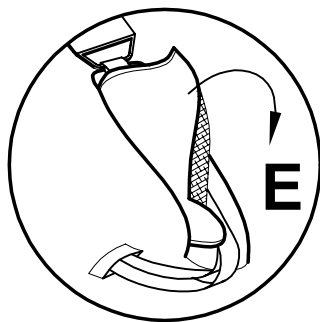
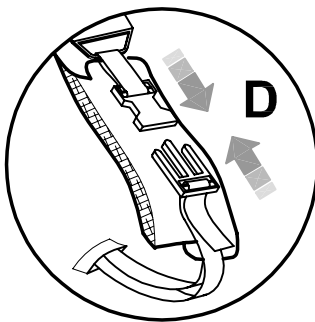
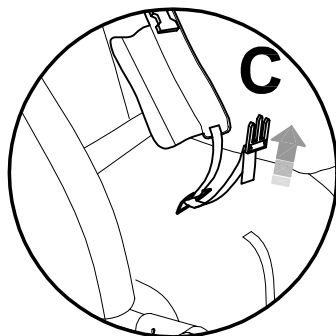
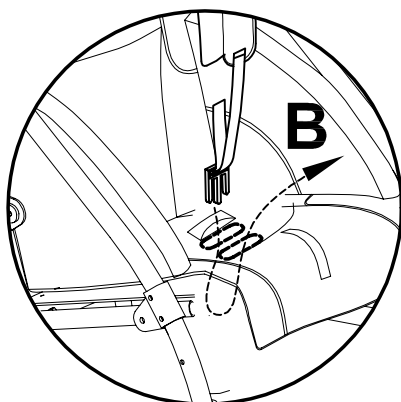
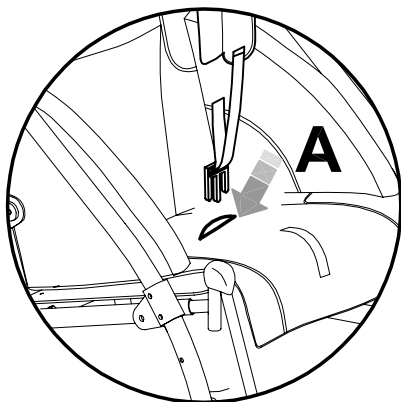
E- FIXING THE CABLES

VIEW FROM THE BACK



FIVE POINT HARNESS 906

1 FIXING THE STRAP ON THE SEAT

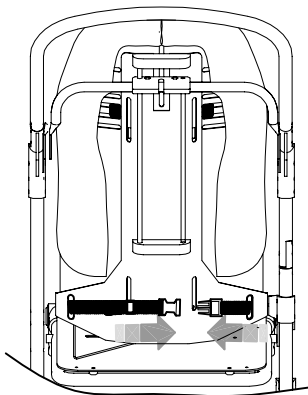


2 FIXING THE STRAPS ON THE UPPER PART OF THE BACKREST

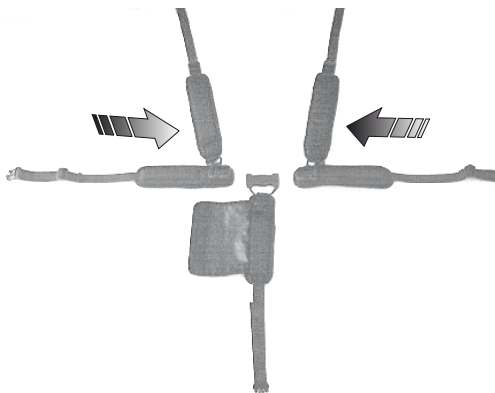


3 FIXING THE BACK BUCKLES

VIEW FROM THE BACK



4 FIXING THE FRONT BUCKLES

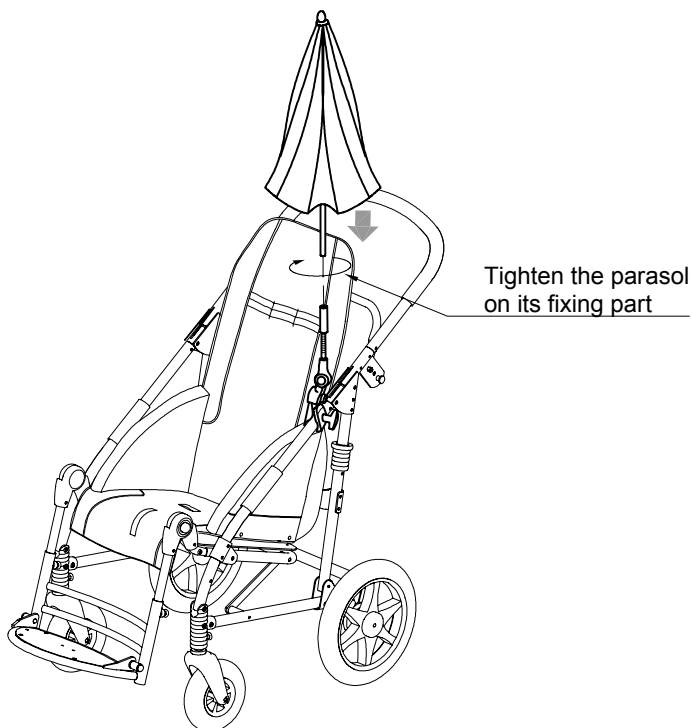
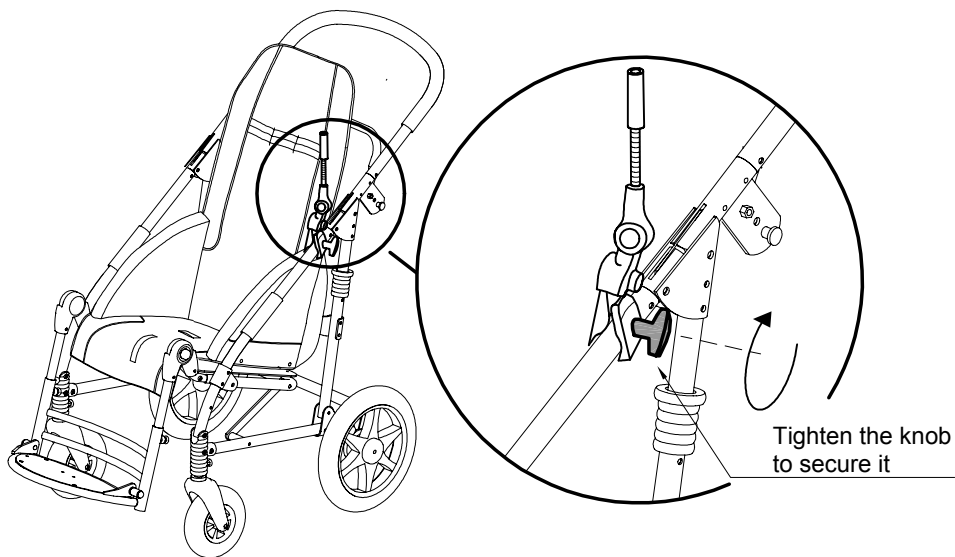


5 ASSEMBLED HARNESS

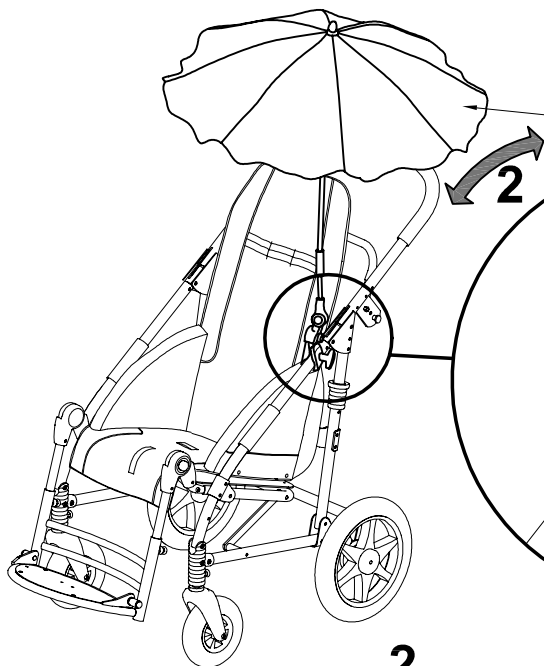


SIZE	CIRCUMFERENCE min. - max (cm)
2-3	66 - 86
4	78 - 108

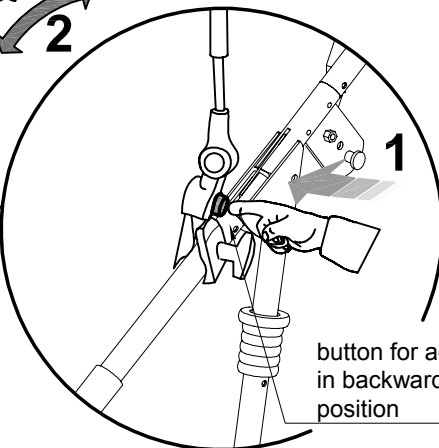
A - PLACEMENT and MOUNTING



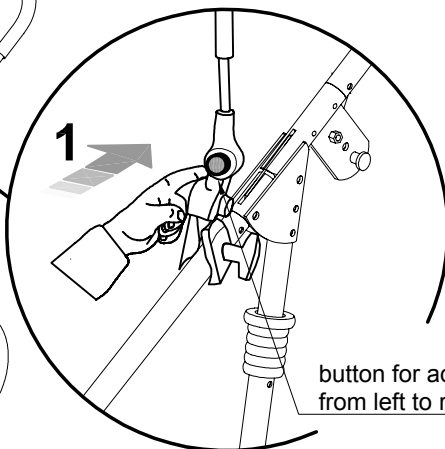
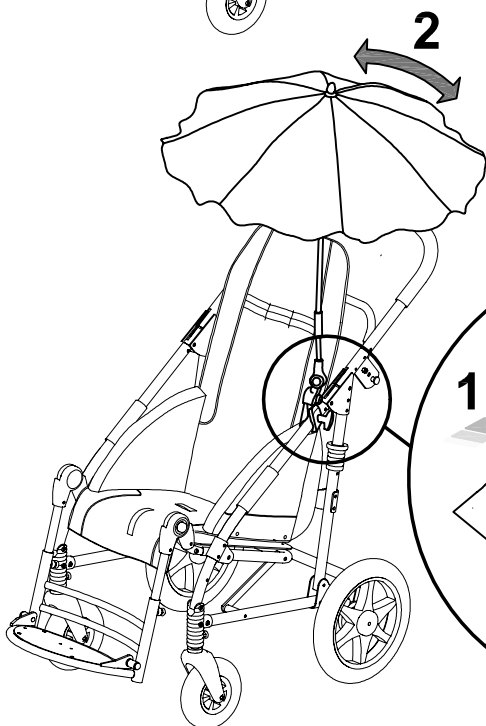
B – ADJUSTMENT WITH BUTTONS



The opening and closing of the “parasol” are like a conventional parasol

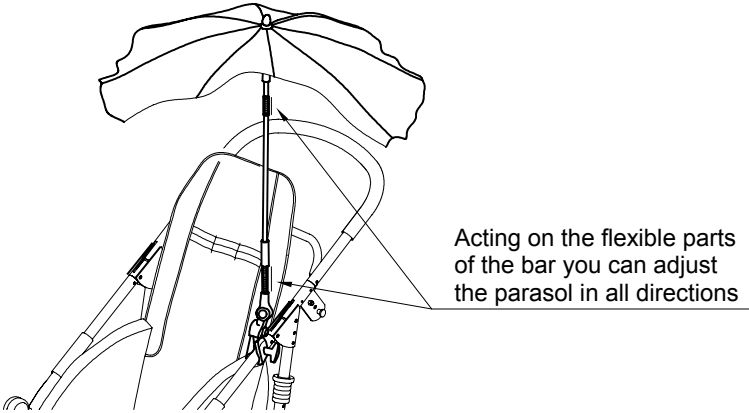


button for adjusting in backward-forward position



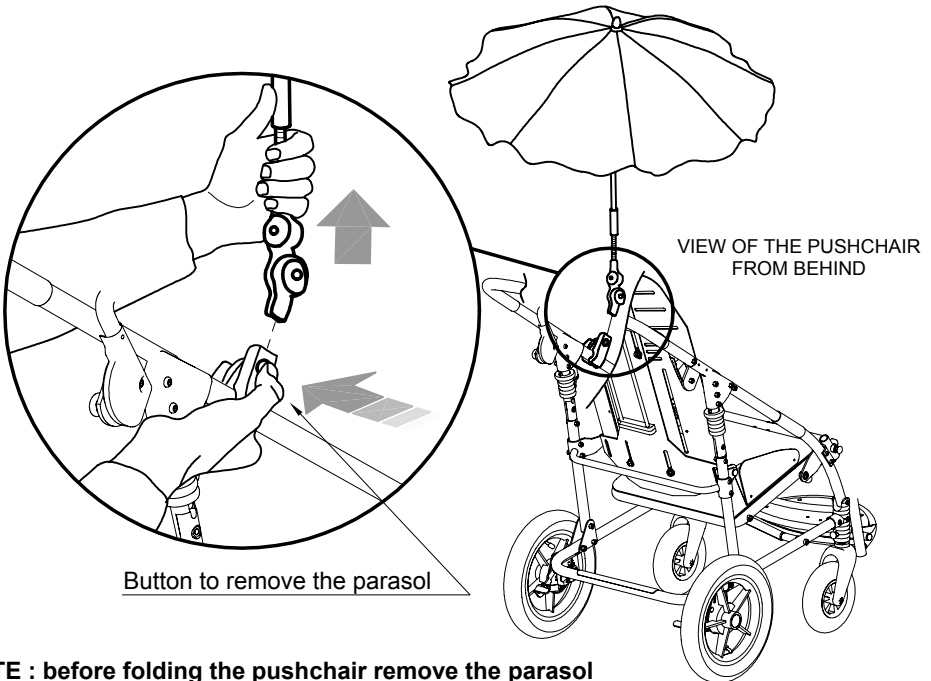
button for adjusting from left to right

C – ADJUSTMENT WITH THE FLEXIBLE PARTS

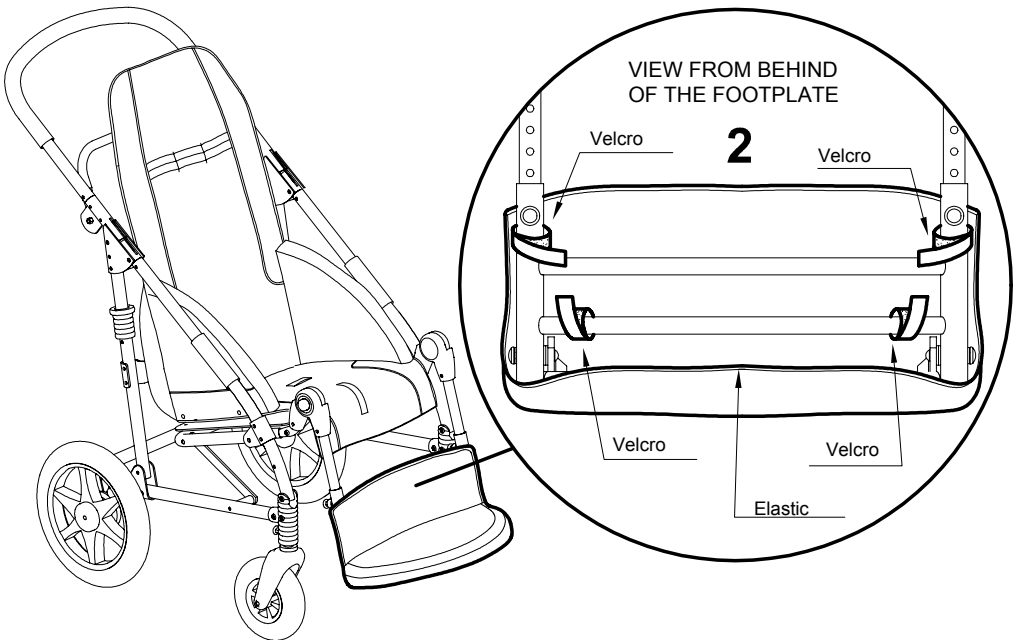
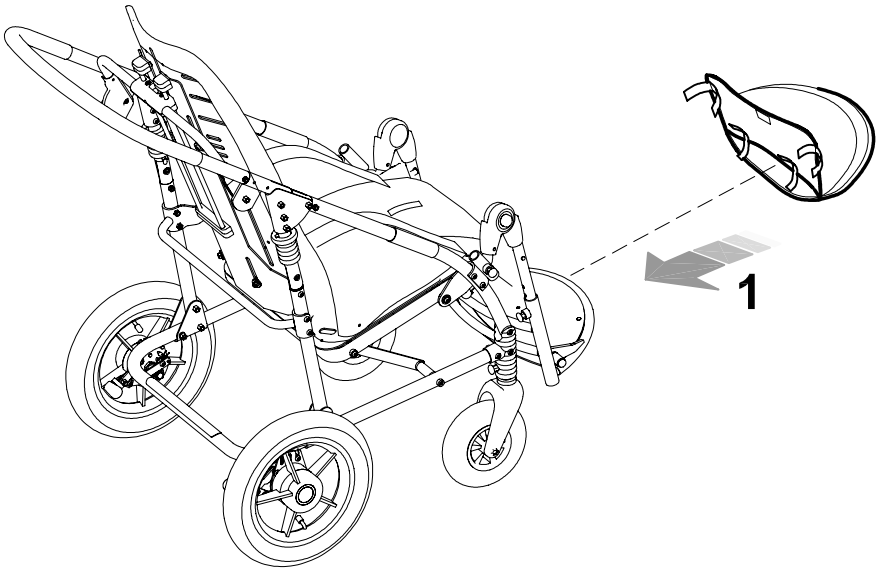


D – REMOVING THE PARASOL

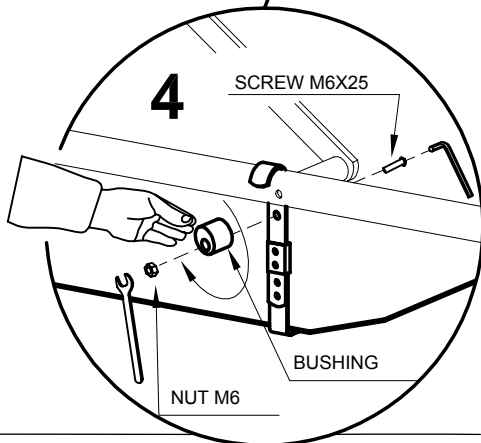
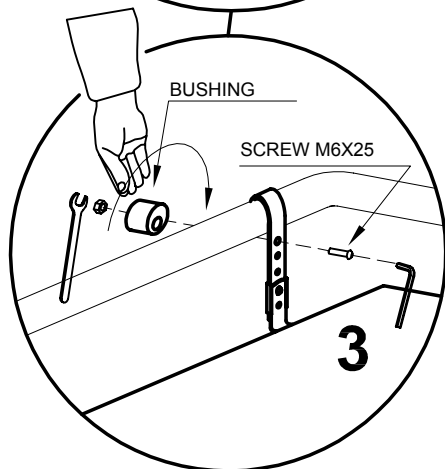
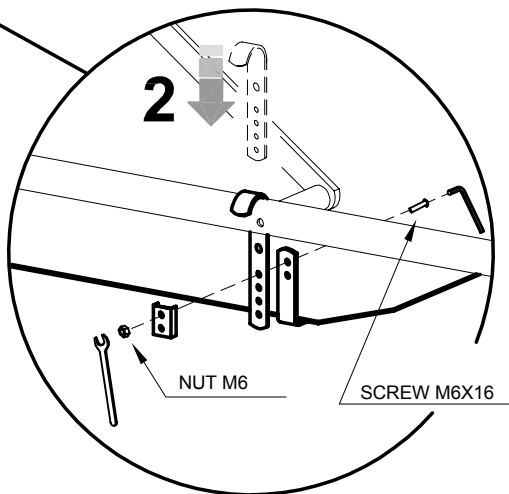
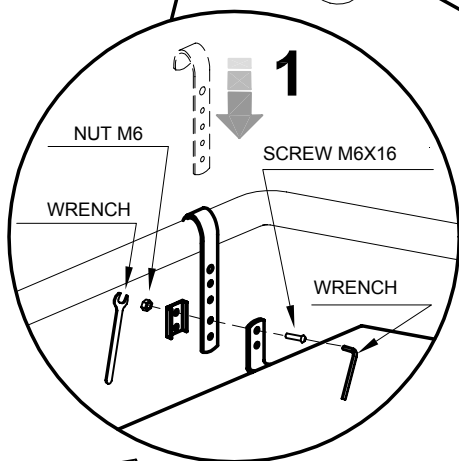
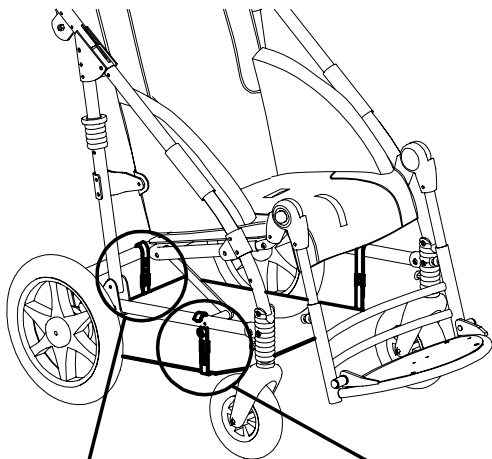
To remove it **PRESS** the button and **SIMULTANEOUSLY PULL** the Parasol
 To reinsert the parasol it is not necessary to press the button

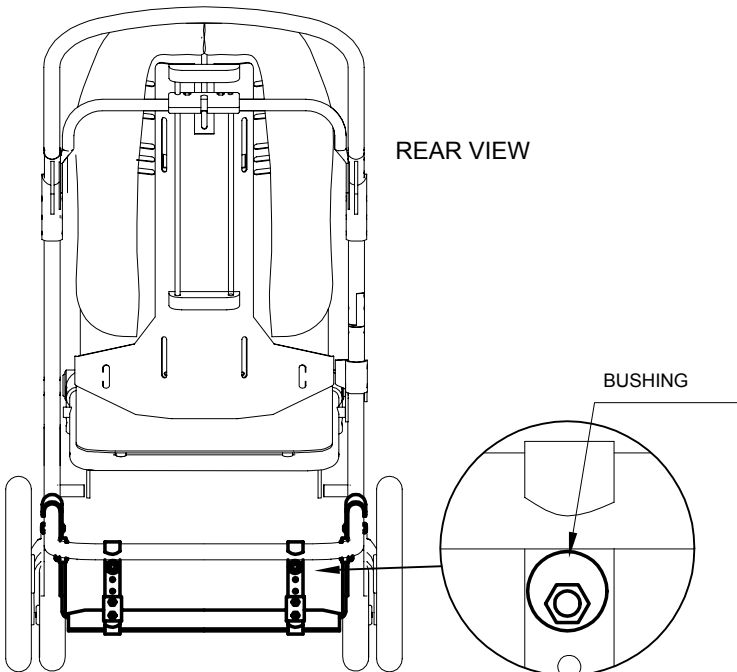
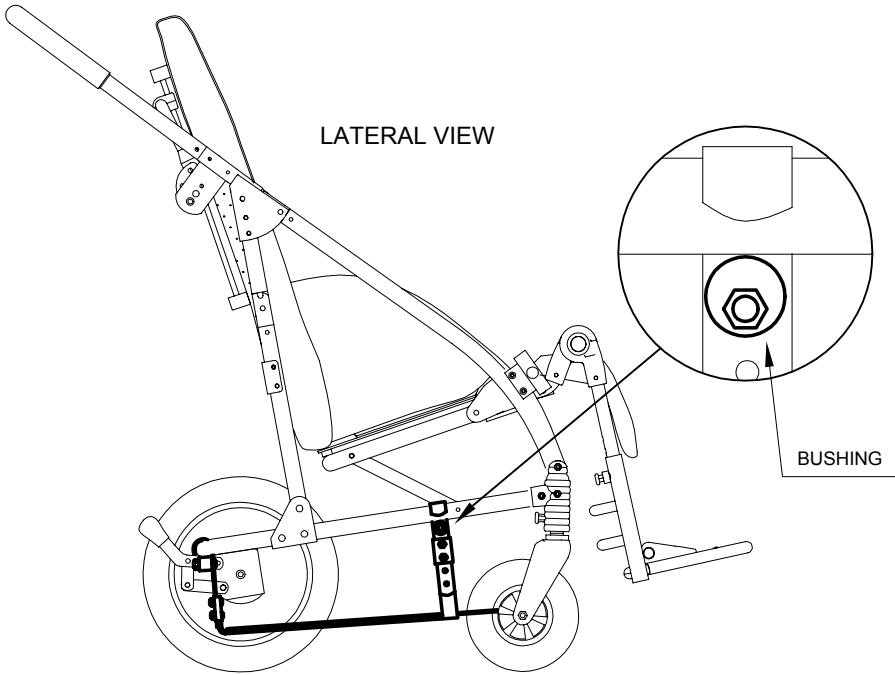


NOTE : before folding the pushchair remove the parasol

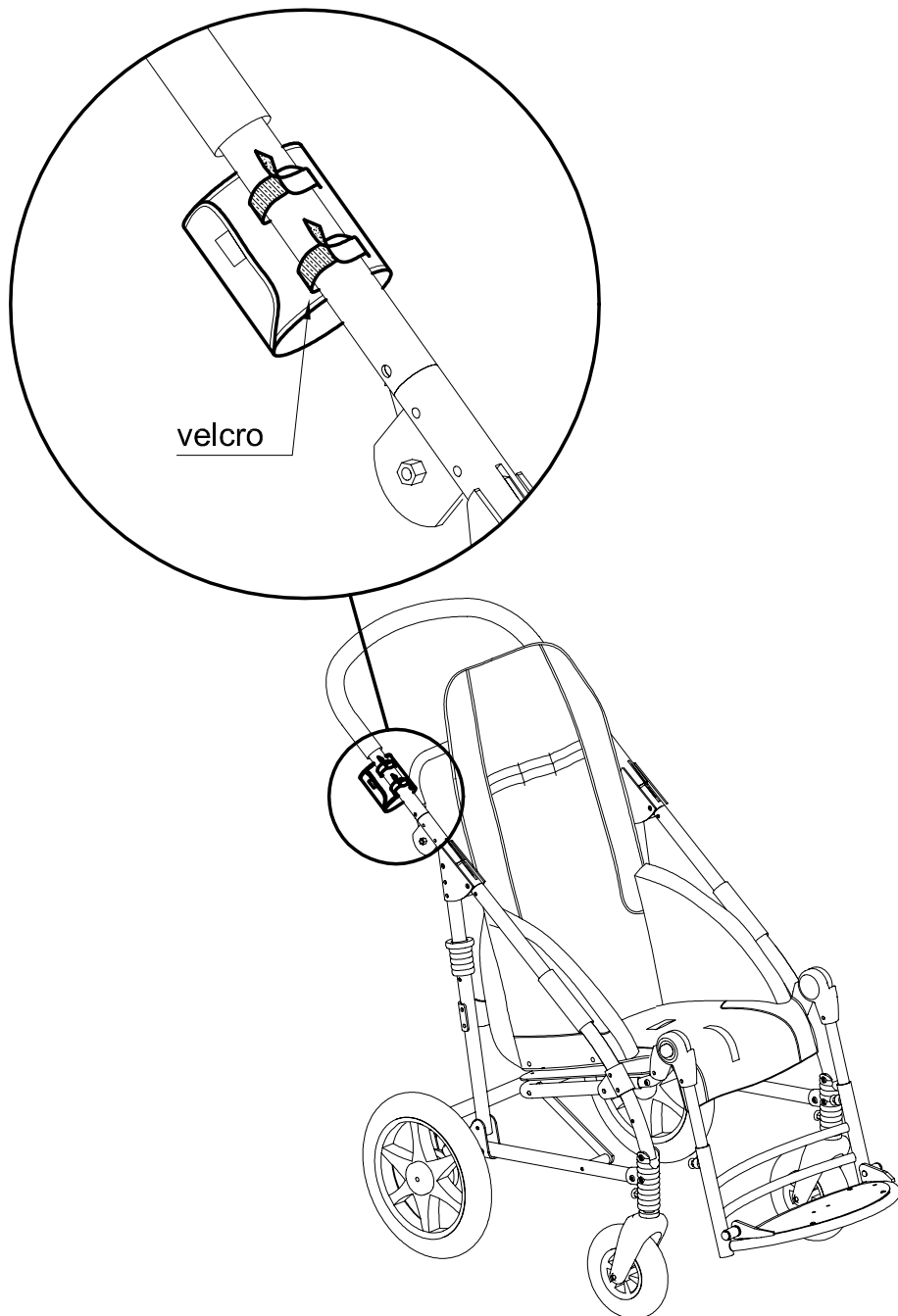


VENT TRAY 911





BOTTLE HOLDER 922



MAINTENANCE, CLEANING AND DISINFECTION OF NOVUS

ORDINARY MAINTENANCE (or preventive)

THE ORDINARY MAINTENANCE OF THE AID HAS TO BE DONE AT LEAST EVERY MONTH.

ALL THE PERIODIC WORKS OF MAINTENANCE ARE NECESSARY TO ASSURE THE RIGHT USE OF THE PUSHCHAIR AND ITS SAFETY. IT IS ALSO THE MAIN REQUIREMENT TO KEEP THE CE MARKING.

ONLY WHEN THESE INTERVENTIONS ARE COMPLETED IN THE TIME AND WAY HEREIN SPECIFIED, THE RESPONSIBILITY OF KEEPING THE MAIN REQUIREMENTS OF THE PUSHCHAIR (ENCL.1, EEA/93/42 STANDARD) IS UP TO THE MANUFACTURER. THE MANUFACTURER ALSO RECOMMENDS HAVING THE FUNCTION / SAFETY OF YOUR DEVICE THOROUGHLY CHECKED BY THE SUPPLIER AT THE FOLLOWING INTERVALS:

- 1. within 3 months of purchase;**
- 2. within six months of purchase;**
- 3. once a year thereafter.**

Clean and disinfect the device and its accessories regularly, following the instructions provided below.

CLEANING AND DISINFECTING THE VARNISHED AND CHROMIUM-PLATED FRAME







Clean and disinfect the varnished chromium-plated parts of the stroller with a soft cloth dipped in diluted wethylated spirit.

CLEANING AND DISINFECTING THE UPHOLSTERY

Clean the 819 canopy, the 825 rain cover and the 834 abduction block with a soft cloth dipped and diluted in water.

In order to wash the upholstery of the **Novus** scrupulously follow the instructions herein specified:

- Detach the four parts of upholstery from the backrest and seat; the protecting covers and the padded parts of the accessories;
- Remove the foam from the side padded supports using the zipper;
- Wash with mild detergent and respect the words of the symbols :

					
Wash by hand with mild detergent	Do not bleach	Dry clean with percloroethylene	Do not iron	Do not tumble dry	Let the upholstery dry in a flat position (lying)

- Once the upholstery is dried, fix it to the frame thanks to buttons.

CLEANING THE TRAY

Clean tray 824 with a sponge wet with detergent and water. After rinsing, dry it well with a soft cloth.

LUBRICATION

The product does not need any special lubrication. **DO NOT GREASE THE REAR WHEELS** because this could make the **BRAKES INEFFICIENT**.

MAINTAINING THE WHEELS

At least once a month, clean the wheels of residues (threads, hair, etc.) that can build up on rotating parts. Maintain a constant pressure in the tires of 2.5 atm



If you verify an **INEFFICIENCY**, even if just partial, of the **BRAKES**, **contact the Dealer who sold you the product immediately**. He will evaluate their **possible repair/change** in order to avoid **dangerous situations** that could cause accidents



Maintenance and replacement of parts or accessories must never be done while the pushchair is being used.



Intensify all checks in marine environments, clean more often, anoint the parts exposed to salt corrosion (such as chrome, bolts and screws)

EXTRAORDINARY MAINTENANCE (or corrective)

EXTRAORDINARY MAINTENANCE MEANS ALL THOSE WORKS ON THE PUSH-CHAIR WHICH ARE DIFFERENT FROM THE ABOVE MENTIONED ONES. WE ASK THE USER, DEALER AND ALL PUBLIC HEALTH SERVICES TO LET THE MANUFACTURER OR OTHER OFFICIALLY AUTHORIZED COMPANIES INTERVENE WITH EXTRAORDINARY MAINTENANCE WORKS. ANY OTHER DIFFERENT ACTION MEANS THAT THE USER AND THE THIRD MAINTENANCE SERVICE ASSUME THEIR RESPONSIBILITY FOR THEIR DONE WORKS ON THE PUSHCHAIR. THE MANUFACTURER WILL BE ONLY RESPONSIBLE FOR ANY POSSIBLE ORIGINAL DEFECT OF THE PRODUCT THAT MAY BE DECLARED TO THE MANUFACTURER.



If the stroller must be scrapped, dispose of the parts according to the legal requirements in force in the country where it is in use

CUSTOMER SERVICE AND SPARE PARTS

Only contact the retailer where you purchased the product for service and replacement with original spare parts.

CONDITIONS FOR DURABILITY, REUSE AND REASSIGNMENT TO A NEW USER

Granted that Ormesa products should be selected, evaluated and ordered for the needs of an individual user, reuse is however possible with the respect the following conditions.

Based on the experience of other similar sold models, on technological progress, on the guarantees of the Quality Management System certificated in 1998 according to ISO 9001, there is adequate confidence that **the average lifespan of the NOVUS is about 5 years, on condition that it is used according to the directions given in the user manual.**

Only when the conditions for storage and transport of chapter HOW TO STORE AND TRANSPORT THE MEDICAL DEVICE” are followed, the periods in which the product is stored at the dealer should not be considered in that time period

Factors unrelated to the product such as the development of the user, its diseases, the use and the surrounding environment can make significantly lower the duration of life of the product; on the contrary, if the indications on the use and maintenance are properly observed, the reliability of the product can extend well beyond the lifetime average above.

Prior to recycling or reassignment an already used Ormesa product, it is required that:

1. a doctor or therapist verifies that the aid is appropriate and adequate to meet the dimensional, functional and postural needs of the new user, and if all its components are suitable / appropriate for him. You should also consider that the C€ marking and the manufacturer's responsibility for safety requirements for the product remain only if the original product still has not changed and only original accessories or spare parts have been applied
2. qualified technical personnel of a company specialized in the maintenance of technical aids for disabled people performs a detailed technical inspection to verify its condition and wear, the absence of any damage and failure of all components / adjustments, the presence of the user's manual, of the label with the date and serial number. A copy of the manual and maintenance may be always requested to the retailer that supplied the product or directly to Ormesa
3. The product has been thoroughly cleaned and disinfected following the directions given in the “MAINTENANCE, CLEANING AND DISINFECTION” Chapter

We recommend you keep written records on all inspections performed on the product before any assignment to the new user.

In case of doubt about the safety of the product or damage to parts or components, you are urged to immediately discontinue use and contact a specialized service center in the maintenance of mechanical aids for disable, or directly ORMESA





Via A. Da Sangallo, 1 Paciana 06034 FOLIGNO PG ITALY

P.I. IT 00574020541 CCIAA Perugia 119215 Iscr. Trib. Perugia 11907 Tel. +39 0742 22927 (r.a.) Fax +39 0742 22637

[http:// www.ormesa.com](http://www.ormesa.com)

E-mail: info@ormesa.com



**COMPANY WITH QUALITY
MANAGEMENT SYSTEM
CERTIFIED BY
= ISO 9001 =**



PRODUCT CERTIFIED BY
CERAH FRANCE

PRODUCT TESTED
BY **TÜV** HANNOVER

CRASH TESTED
ACCORDING TO THE ANSI RESNA WC/19

FDA REGISTERED - USA

DISTRIBUTOR FOR USA
INNOVATION IN MOTION
201 Growth Parkway
ANGOLA, IN 46703

P 1.260.665.2769
F 1.260.665.3047
Toll free number 800-327-0681

E-mail: iim@mobility-usa.com

Authorized Dealer

The technical Data and information given in this handbook are not binding. ORMESA reserves the right to carry out any necessary change without prior notice or replacements