

**ADJUSTABLE**

**Trolli**

**seating system for TEENS and ADULTS**

**with adjustable headrest included**

USA Ccd. 22786 09-03-23



**ORMESA** thanks you for choosing **TROLLI** a medical device designed and manufactured by ORMESA srl – an italian company certified **ISO 13485**.

**TROLLI** is a folding seating system for easy and quick transfers for teenagers and adults with disabilities, that combines functionality with comfort and safety.

**ORMESA s.r.l. recommends that you read this manual very carefully to understand its contents fully.** In addition to help you become familiar with **TROLLI** quickly, it also contains practical tips for making the best use of it safely and keeping it in good working order.

If, after reading it, you still have questions, contact your retailer, who will be happy to help you

Ormesa Team



# TABLE OF CONTENTS

<b>GENERAL INFORMATIONS</b> .....	<b>4</b>
<b>NORMATIVE REFERENCES AND SAFETY WARNINGS</b> .....	<b>4</b>
<b>INTENDED USE, PURPOSE AND FUNCTIONS</b> .....	<b>4</b>
<b>WARNINGS</b> .....	<b>5</b>
<b>WHAT YOU SHOULD NOT DO WITH TROLLI</b> .....	<b>6</b>
<b>BRAKING the DEVICE</b> .....	<b>8</b>
<b>HOW TO TILT TROLLI TO OVERCOME OBSTACLES</b> .....	<b>9</b>
<b>LABELS AND PLATES</b> .....	<b>10</b>
<b>WARRANTY</b> .....	<b>11</b>
<b>HOW TO STORE AND TRANSPORT THE MEDICAL DEVICE</b> .....	<b>11</b>
<b>HOW TO USE TROLLI FOR TRANSPORT ON A MOVING VEHICLE (cars, buses, etc.)</b> .....	<b>12</b>
<b>INITIAL PREPARATION</b> .....	<b>16</b>
<b>DESCRIPTION OF THE MEDICAL DEVICE</b> .....	<b>17</b>
<b>WHAT IT IS COMPOSED OF - TECHNICAL FEATURES</b> .....	<b>17</b>
<b>DIMENSIONAL FEATURES</b> .....	<b>18</b>
<b>HOW TROLLI WORKS AND HOW TO USE IT</b> .....	<b>19</b>
OPENING THE DEVICE .....	19
OPENING THE FOOTRESTS and INSERTING of the LEGREST BAND .....	21
CLOSING THE FOOTRESTS .....	22
INVERSION OF THE FOOTRESTS .....	23
CLOSING THE DEVICE .....	24
ADJUSTING THE FOOTRESTS IN HEIGHT .....	26
ADJUSTING THE DEPTH OF THE SEAT .....	27
ADJUSTING THE RECLINING OF THE BACKREST .....	28
ADJUSTING THE HEADREST .....	29
ADJUSTING THE HEIGHT OF THE BACKREST .....	31
<b>ASSEMBLING THE ADDITIONAL COMPONENTS</b> .....	<b>32</b>
PADDED PELVIC SIDE SUPPORTS 958 .....	32
TRUNK SIDE SUPPORTS 838 .....	33
WRAPPABLE AND FLEXIBLE TRUNK SIDE SUPPORTS 868 .....	35
FRONT HANDLEBAR 839 .....	37

ABDUCTION BLOCK 834 .....	38
POINT PELVIC BELT 920 .....	38
PELVIC BELT WITH VARIABLE ANGLE (from 45° to 90°) 947 .....	39
VEST HARNESS 853 .....	40
4 POINT SHAPED HARNESS 853 SLIM .....	40
SHOPPING BASKET 858 .....	40
891 TIEDOWN HOOKS (4 RINGS).....	41
HEEL RESTS 960.....	42
FRONT WHEEL DIRECTION LOCKS 812 .....	43
FOOTRESTS ADJUSTABLE IN TILT 956 .....	44
ADJUSTABLE PUSH HANDLES 951 .....	45
PADDED SIDE PROTECTION COVERS 844 .....	46
<b>CLEANING, DISINFECTION, SANITIZATION .....</b>	<b>47</b>
INFORMATION .....	47
WARNINGS .....	47
PROCEDURE .....	48
<b>MAINTENANCE.....</b>	<b>50</b>
ORDINARY MAINTENANCE (monthly) .....	50
PREVENTIVE MAINTENANCE (biennial).....	51
EXTRAORDINARY MAINTENANCE (or corrective) .....	52
<b>DISPOSAL .....</b>	<b>52</b>
<b>ASSISTANCE AND SPARE PARTS .....</b>	<b>52</b>
<b>CONDITIONS FOR DURABILITY, REUSE AND REASSIGNMENT TO A NEW USER .....</b>	<b>53</b>

## GENERAL INFORMATIONS. NORMATIVE REFERENCES AND SAFETY WARNINGS

### INTENDED USE, PURPOSE AND FUNCTIONS

Adjustable TROLLI is a seating system designed for easy and quick transfers for users affected by diseases, which prevent and limit the walking and for users who need to be easily moved from one place to another thanks to the caregiver.

It allows the positioning of the user with disabilities of varying complexity, in the most appropriate and functional posture in the different everyday environments.

The postural components (supports and belts) allow to give stability to the pelvis, lower limbs, trunk, and head and to get different positions thanks to the reclining backrest.

It can be used even in medium severity circumstances, in outdoor and indoor environments, for the transport of those subjects, who are not able to independently maintain the seating posture due to severe disorders of the nervous and muscle system or of the rational sphere.

The posture is comfortable and containing:

- The seat is slightly inclined to prevent the user from sliding forward;
- The STRUCTURE of the DOUBLE CRUISE FRAME is solid, and it does not yield when the user is seated
- The SUPPORTING BREATHABLE UPHOLSTERY is very RESISTANT, and it is made of technological and innovative materials. When the user is in the device, the upholstery makes the seat stretched and the backrest wrapping, allowing a maintenance of a good sitting posture.

**When folded, it is lightweight and compact**, and it can be lifted and hold with just one hand without opening. Otherwise, it can be easily pushed like a trolley since it moves on its own rear wheels.

**When opened, it is sliding, and it is easily maneuverable** even in tight spaces because its footrests tip-up and turn sideways, aligning themselves to the frame, so that they do not stick out and do not restrict the maneuvering when you want to enter the car, the w.c. or the sidewalks.

The device must be prescribed by a specialistic doctor who evaluates the residual capacities of the user, and must be configured and adjusted by a **rehabilitation professional** according to the laws in the user's place of residence.

The handling of the device during the daily activities is easy and it allows a very simple and safe use even by other unqualified caregivers

**CONTRAINDICATIONS:** it is generally not intended for subjects with severe structured musculoskeletal deformities, who need postural units or for users with no head control skills, for whom it is necessary a postural system for the head in order to allow a containment and high support.



## WARNINGS

- **Carefully read the instructions in this manual before using the product;** they will help you use the product safely and keep it in good working order. It is an integral part of the product and should be kept for future reference.
- **The manual is intended for technically qualified retailers and for users and their assistants;** it provides instructions for its correct use.
- The manual reflects the technical state of the product at the time it was sold. **Ormesa s.r.l. reserves the right to make any changes to the product or manual** suggested by experience, technical considerations or regulatory developments without any obligation to update its previous production and relevant manuals.
- Trolli should **only be used by those who read the instructions** in this handbook.
- **The use of the device and its additional components must be checked by a specialized doctor,** in conformity with the laws and standards in force.
- **Adjustments must be made only by qualified personnel.**
- **The use of the product is limited to people whose BODILY MEASUREMENTS AND WEIGHT** conform to the specifications in the section “**technical characteristics,**” on pages 13.
- The product must be **manoeuvred by people with the height and strength** to control its movements.
- **Always check before each use, the EFFICIENCY of the BRAKES, the WEAR of the WHEELS, the LOCKING of the HEADREST, the BACKREST and the FOOTREST.**
- **WHEN PAUSING, ALWAYS LOCK BOTH BRAKES,** even on level ground.
- **Always LOCK THE BRAKES before positioning or removing the user from the device and before making any adjustment!**
- **Climb up and down curbs** facing forward and tilting the device on its rear wheels (see page 11).
- The upholstery is **flame retardant (FR)** according to EN 1021-1: 1: 2014 - and EN 1021-2: 2014.



## **WHAT YOU SHOULD NOT DO WITH TROLLI**

- **DO NOT USE THE PRODUCT WITH PEOPLE LARGER OR SMALLER THAN THE DIMENSIONS SHOWN ON PAGE 13**
- **DO NOT ALLOW CHILDREN TO USE THE AID OR EVEN PLAY WITH IT**
- **DO NOT ALLOW ANYONE TO STAND ON THE FOOTRESTS OR THE BACK**
- **DO NOT LIFT THE PRODUCT BY THE ARMRESTS, FRAME, LEG SUPPORT OR FOOTRESTS TO OVERCOME OBSTACLES**
- **NOT HANG BAGS ON THE REAR HANDLES, they may unbalance the STROLLER. Use the 858 net basket and the rear pockets positioned on the backrest for small objects**
- **NEVER LEAVE THE USER UNATTENDED, ESPECIALLY ON THE BEACH OR NEAR A RAVINE, SWIMMING POOL, SLOPE, OPEN FLAME OR STAIRS**
- **NEVER LEAVE THE DEVICE PARKED FOR A LONG TIME IN DIRECT SUNLIGHT OR NEAR SOURCES OF HEAT: THIS WILL AVOID OVERHEATING THE DEVICE AND DISCOLOURING THE UPHOLSTERY**
- **DO NOT CARRY THE USER OVER ROUGH OR STEEP SURFACES OR STAIRS**
- **NEVER STOP TROLLI ON SLOPING GROUND**
- **DO NOT CLIMB OR DESCEND STAIRS WITH THE AID CARRYING THE USER SINCE ITS STRUCTURE IS NOT DESIGNED FOR THIS PURPOSE(v. fig. pag. 11)**
- **DO NOT CLIMB CURBS OR STEPS WITH JUST THE SIDE WHEELS (front or back) because it could tip over (see fig. on page 11)**
- **DO NOT USE THE PRODUCT IF PARTS ARE MISSING OR DAMAGED. INSIST THAT ONLY ORIGINAL REPLACEMENT PARTS ARE USED BECAUSE ANY OTHER TYPE WILL VOID THE WARRANTY.**

## **TROLLI IS A MECHANICAL MEDICAL DEVICE:**



Perform **REGULAR MAINTENANCE** and **CLEANING** following the instructions shown in the "Maintenance" chapter on page 47-48-49-50-51-52 and **HAVE THE DEVICE INSPECTED AT THE INTERVALS INDICATED** to **VERIFY** that it is **WORKING PROPERLY** and in **GOOD CONDITION**, otherwise warranty will fail and **CE** marking will lapse



**PRODUCT REPAIRS** other than the regular maintenance shown on page 47-48-49-50-51-52 of the manual must be **ONLY MADE** by a **SPECIALIZED SERVICE CENTER** in the maintenance of mechanical aids for disables, otherwise warranty and **CE** marking will be voided



Any **CHANGES** in the product and the **REPLACEMENT WITHOUT ORIGINAL PARTS OR COMPONENTS ARE NOT AUTHORIZED.** REFER ONLY TO ORMESA, otherwise warranty and **CE** marking will be voided

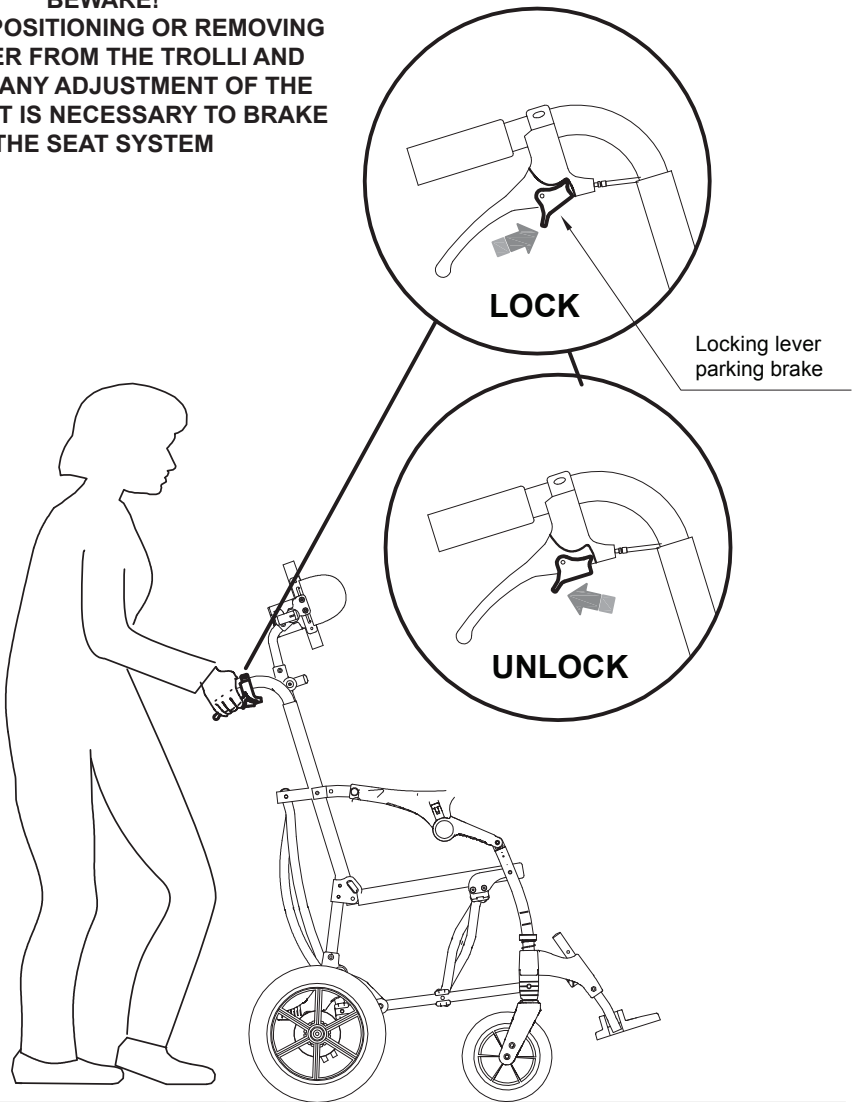


In case of **DOUBT** about the **SAFETY** of the product or **DAMAGE** to parts or components, you are urged to **IMMEDIATELY DISCONTINUE USE** and **CONTACT** a **SPECIALIZED SERVICE CENTER** in the maintenance of mechanical aids for disables, or directly ORMESA.



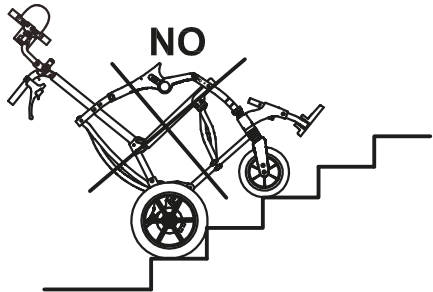
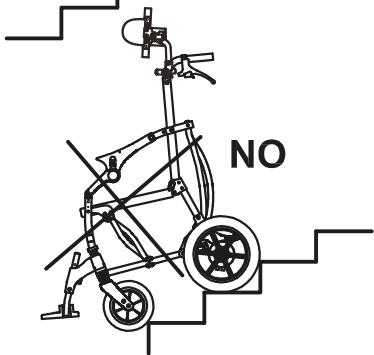
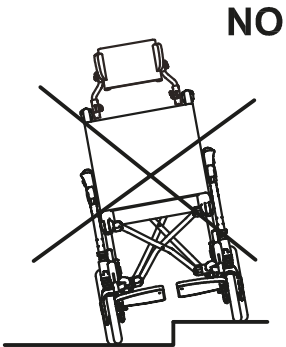
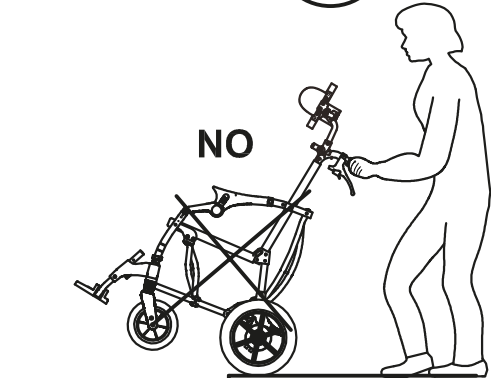
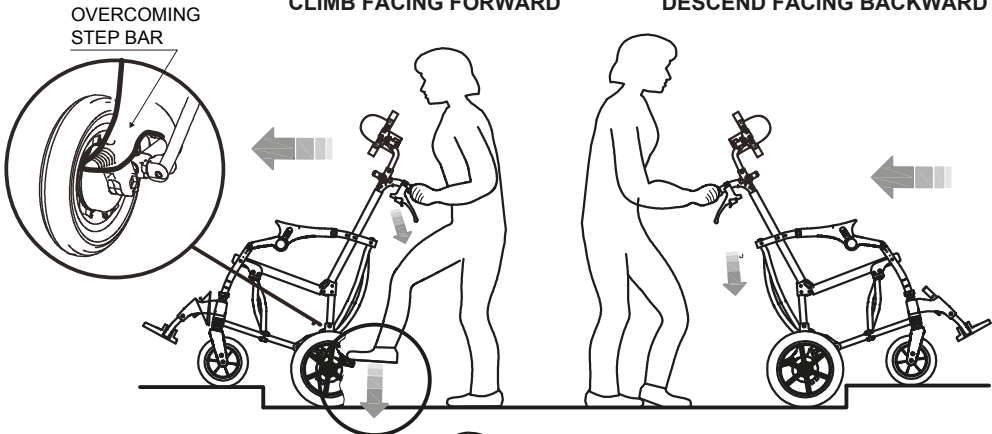
## BRAKING THE DEVICE

**BEWARE!  
BEFORE POSITIONING OR REMOVING  
THE USER FROM THE TROLLI AND  
BEFORE ANY ADJUSTMENT OF THE  
DETAILS, IT IS NECESSARY TO BRAKE  
THE SEAT SYSTEM**

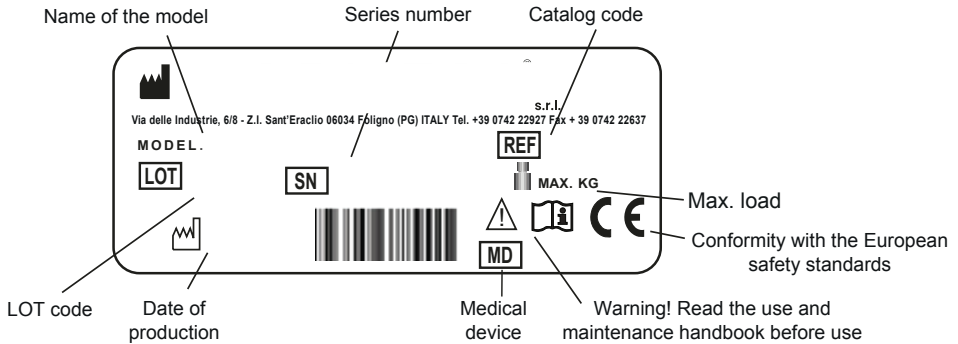


# HOW TO TILT TROLLI TO OVERCOME OBSTACLES

the two **OVERCOMING STEP BAR**, behind the rear wheels, greatly facilitate this operation



## LABELS AND PLATES



**THE CE MARKING CERTIFIES THAT TROLLI CONFORMS TO THE SAFETY REQUIREMENTS defined with the REGULATION (EU) 2017/745 OF THE EUROPEAN PARLIAMENT AND OF THE COUNCIL of 5 April 2017 applicable for MEDICAL DEVICE**



**SECUREMENT POINT TO FOR THE ANCHORAGE OF THE ISO 10542-2 APPROVED 4-POINT STRAP-TYPE TIEDOWNS SUPPLIED BY THOSE VEHICLES WHICH ARE SUITABLE FOR TRANSPORTING ORTHOPEDIC STROLLERS IN COMPLIANCE WITH THE ISO 7176-19 STANDARD FOR APPROVED MODELS BY SN 02294 AND PROGRESSIVE NUMBERS**



## WARRANTY

ORMESA and INNOVATION IN MOTION warrant the product for 2 years; in case of problems, contact the retailer where you purchased it. Always ask for original spare parts, otherwise the guarantee will decline

**ORMESA will not be liable for damage in the following cases:**

- *use by an unsuitable person;*
- *incorrect assembly of parts or accessories;*
- *unauthorized modifications or service;*
- *use of other than original replacement parts and parts subject to wear (upholstery, wheels, etc);*
- *improper use (such as, transporting objects or loads larger or heavier than those shown in the instruction handbook t);*
- *damage caused by incorrect use and lack of regular maintenance, as shown in the instruction handbook ;*
- *exceptional events;*
- *failure to follow the instructions in this manual.*

**THE GUARANTEE DOES NOT COVER WEAR PARTS, which are subject to wear and tear, such as the upholsteries and the wheels.**




## HOW TO STORE AND TRANSPORT THE MEDICAL DEVICE

***THE DEVICE MUST BE STORED AND PACKED using Ormesa original packaging materials, unless the guarantee will be voided***

- **Once unpacked, THE TRANSPORT OF THE DEVICE must be done by ANCHORING ADEQUATELY it to the vehicle**
- **When travelling by plane, or in the car, DO NOT SUBJECT THE FOLDED FRAME TO LOADS THAT, especially with road bumps, COULD DAMAGE ITS STRUCTURE**

**THE DEVICE MUST BE PARKED / STORED IN CLOSED AND DRY PLACES**

- **THE OPERATING ENVIRONMENT HAS NO PARTICULAR INFLUENCE ON THE DEVICE UNLESS IT IS USED INCORRECTLY, such as by leaving it parked for a long time in direct sunlight or exposed to bad weather such as rain, or in marine environments, where salt could corrode the paint and sliding parts. IN THIS CASE, WE RECOMMEND CAREFUL CLEANING AND DRYING THE FRAME FOLLOWING THE INSTRUCTIONS SHOWN IN THE “MAINTENANCE, CLEANING AND DISINFECTION” CHAPTER ON PAGES 47-48-49-50-51-52 AND THE WARNINGS  ON PAGE 47**



## HOW TO USE TROLLI FOR TRANSPORT ON A MOVING VEHICLE (cars, buses, etc.)

TROLLI conforms to the ISO 7176-19 and ANSI RESNA WC/19 standard, which defines the safety requirements for transport, facing in the direction of travel, on moving approved vehicles (cars, buses, etc.) with the following **WARNINGS:**

Approved models:

From SN 22 02294  
and progressive numbers  
FOR A USER WITH  
MAXIMUM WEIGHT OF 75  
KG (165 LB)

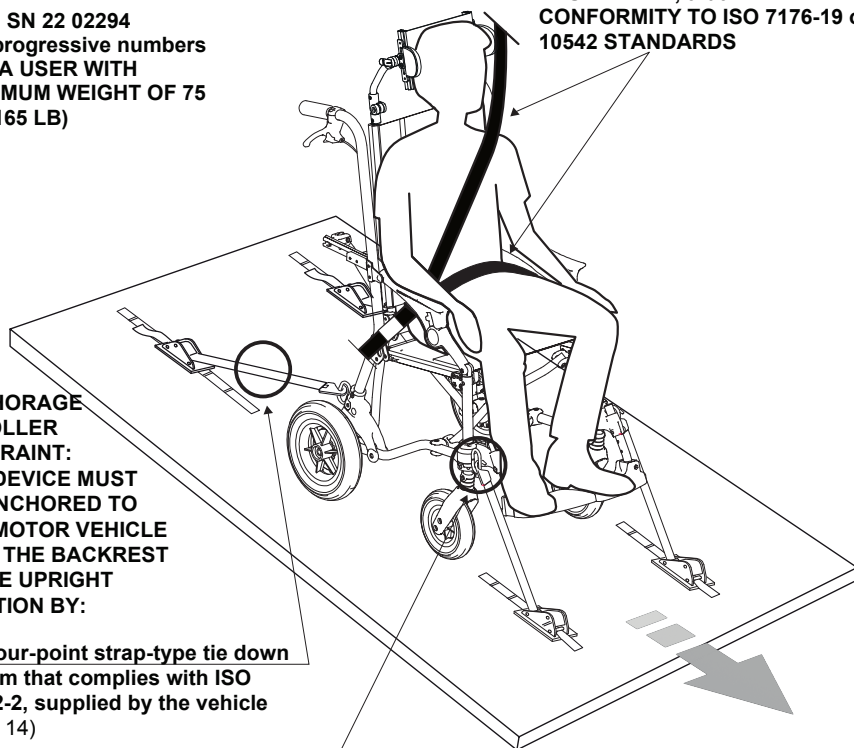
### ANCHORAGE OCCUPANT

**RESTRAINT:** the User has to wear both a **PELVIC BELT** and a **DIAGONAL TRUNK BELT**, that LABELLED with **CONFORMITY TO ISO 7176-19 or ISO 10542 STANDARDS**

**ANCHORAGE STROLLER RESTRAINT:**  
THE DEVICE MUST BE ANCHORED TO THE MOTOR VEHICLE WITH THE BACKREST IN THE UPRIGHT POSITION BY:

1) a four-point strap-type tie down system that complies with ISO 10542-2, supplied by the vehicle ( pag. 14)

2) component 891 – set of 4 tie-down hooks (pag.38)



### **ATTENTION!**

ORMESA RECOMMENDS THE USE OF A COMPLETE ISO 10542-2-COMPLIANT “WTORS” SYSTEM, which consists of restraint systems for both the wheelchair and its occupant

- **THE VEHICLE MUST BE APPROVED FOR TRANSPORTING ORTHOPAEDIC WHEELCHAIRS/STROLLERS IN CONFORMITY WITH STANDARD ISO 7176-19**
- **THE STROLLER-SEATED OCCUPANT MUST FACE THE FRONT OF THE VEHICLE. According to paragraph 6.3.4 of ISO 7176-19, compliance with ISO 7176-19 does not preclude using the STROLLER facing rearward in accessible vehicles equipped and approved with spaces dedicated to this specific use**
- **The ANCHORAGE OCCUPANT RESTRAINT (approved belts) HAVE TO FIT THE USER BODY and so they have to be adjusted as tightly as possible, compatibly with the comfort of the child. Be careful that the belts do not twist and that components or parts of the STROLLER, such as wheels or pelvic supports, do not push them away (pag. 15)**
- **the diagonal trunk belt must be above the shoulders (pag. 15)**
- **the “ADDITIONAL COMPONENT” belts shown in this manual ARE NOT APPROVED for use as restraint systems**
- **The stroller must be stored in the boot or secured to the vehicle during the drive whenever it is not in use with the User**

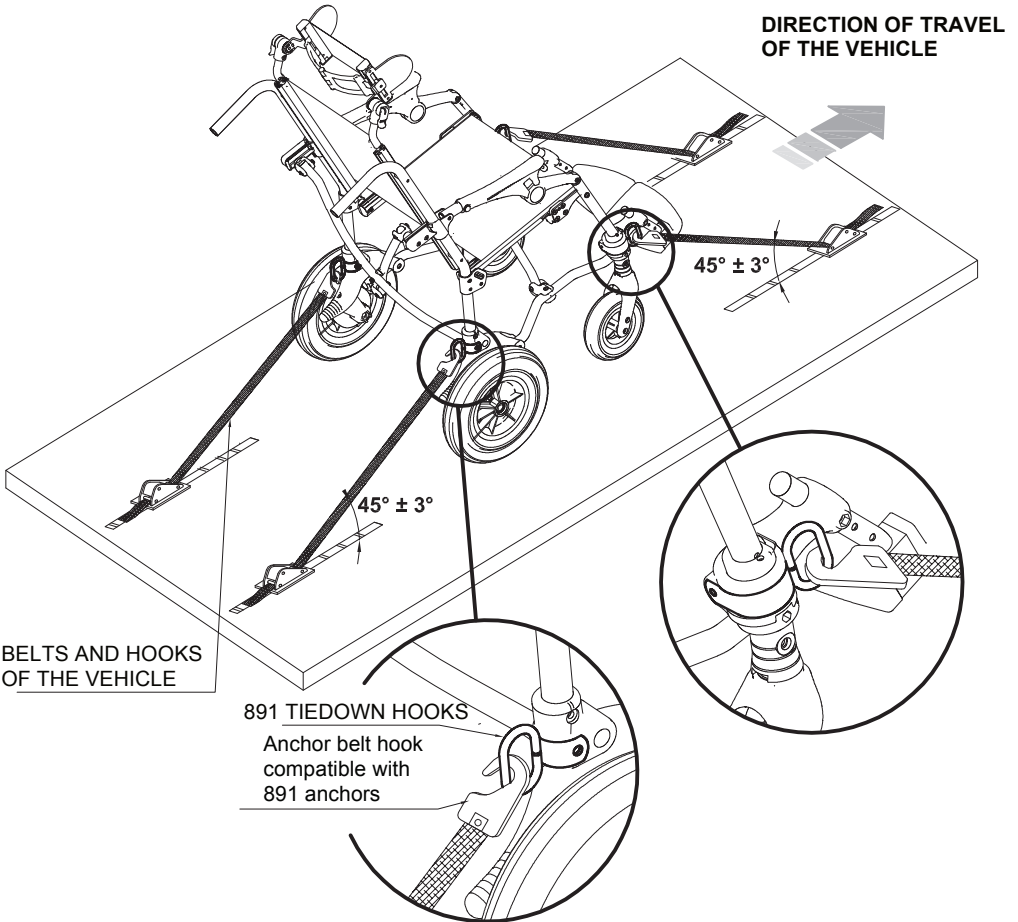
**THE STROLLER MUST BE INSPECTED BY THE MANUFACTURER OR ITS AUTHORIZED RETAILER OR DISTRIBUTOR BEFORE REUSE FOLLOWING INVOLVEMENT IN ANY TYPE OF VEHICLE COLLISION**

**ANY ALTERATION OR SUBSTITUTION OF PARTS OR COMPONENTS OF THE STROLLER, WITHOUT THE WRITTEN AUTHORIZATION OF ORMESA SRL, IS FORBIDDEN AND WILL VOID THE MARK AND THE WARRANTY**

**TROLLO SEATING SYSTEM IS APPROVED FOR CARRIAGE IN A MOVING VEHICLE FOR A USER WITH MAXIMUM WEIGHT OF 75 KG (165 LB)**

**1) HOW TO ANCHOR THE STROLLER TO THE MOVING VEHICLE (car, bus, etc.)**

**HOOK THE APPROVED 4-POINT BELTS OF THE VEHICLE TO THE 891-4 TIEDOWN HOOKS (4 RINGS) AS SHOWN IN THE FIGURE AND IN THE DIRECTION OF TRAVEL OF THE VEHICLE**



**SEE PAGE 37 FOR ASSEMBLY INSTRUCTIONS FOR ADDITIONAL COMPONENT 891**

**TROLI SEATING SYSTEM IS APPROVED FOR CARRIAGE IN A MOVING VEHICLE FOR A USER WITH MAXIMUM WIGHT OF 75 KG.**

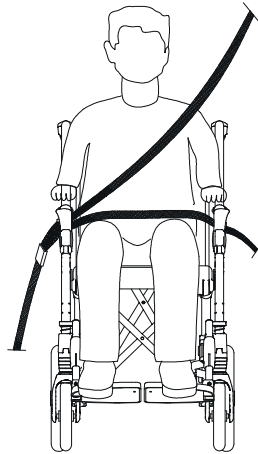
## 2) THE CORRECT POSITIONING OF OCCUPANT BELT RESTRAINTS ON THE USER



**ATTENTION!** the pelvic-belt restraint should be worn low across the front of the pelvis, so that the angle of the pelvic-belt restraint is within the preferred zone of 30° to 75° to the horizontal, similar to that shown in Figure 1. A steeper (greater) angle within the preferred zone is desirable

**ATTENTION!** TROLLI postural belts are not approved for use as restraint systems.

**YES**  
beneath  
the armrest  
and the frame



FRONT VIEW

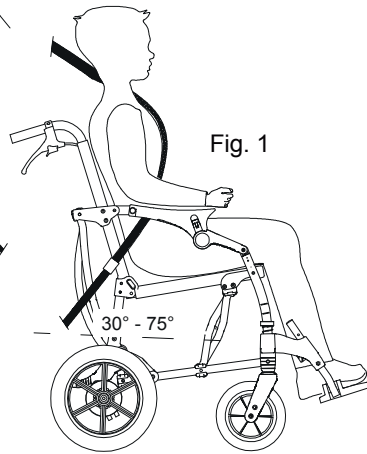
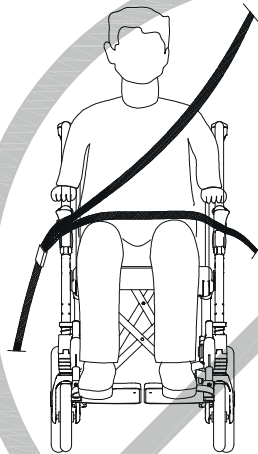


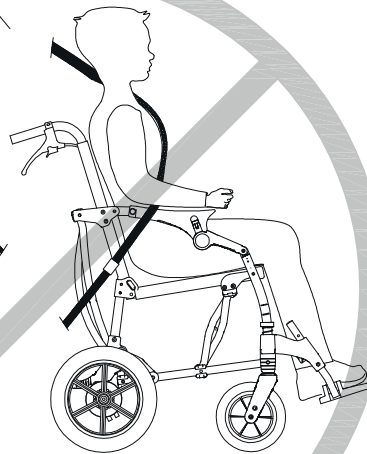
Fig. 1

SIDE VIEW

**NO**  
above  
the armrest  
and the frame



FRONT VIEW

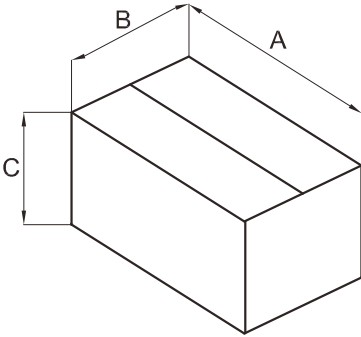


SIDE VIEW

**THE INCORRECT PLACEMENT OF BELT RESTRAINTS**



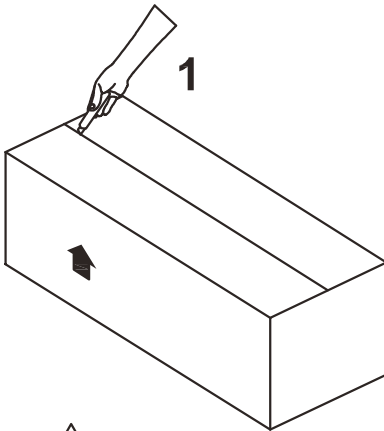
## INITIAL PREPARATION



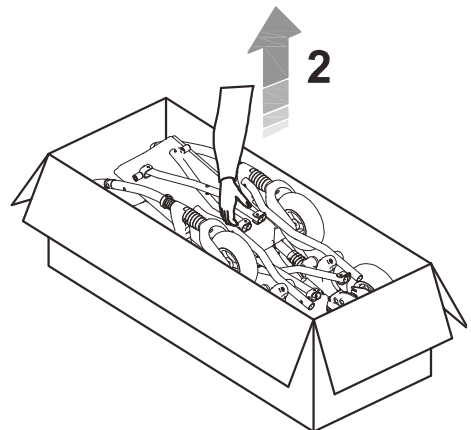
## PACKAGING INFORMATION

size	A cm	B cm	C cm	volume m <sup>3</sup>	weight kg
36	103	67	49	0,33	19,5
40	103	67	49	0,33	20
43	103	67	49	0,33	20,5

size	A In	B In	C In	volume In <sup>3</sup>	weight lb
36	40,5	26,3	19,2	20137	42,9
40	40,5	26,3	19,2	20137	44
43	40,5	26,3	19,2	20137	45,1



## HOW TO REMOVE TROLLI FROM THE BOX



### CAUTION!

CUT WITHOUT PRESSING TOO HARD  
WITH THE BLADE SO AS NOT TO DAMAGE THE  
CONTENTS OF THE BOX

REMOVE FROM THE  
BOX

## DESCRIPTION OF THE MEDICAL DEVICE

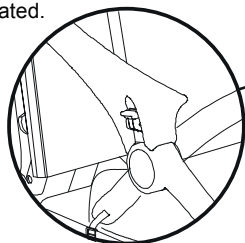
### WHAT IT IS COMPOSED OF - TECHNICAL FEATURES

Lightweight umbrella folding FRAME, in aluminum painted with non-toxic epoxy powders.

PUSH HANDLES with manual and parking brakes. Height adjustable with 951 additional component.

Manual BAG and key on the back of the backrest.

CLOSING LEVER equipped with a safety device that prevents the stroller from closing when the user is seated.



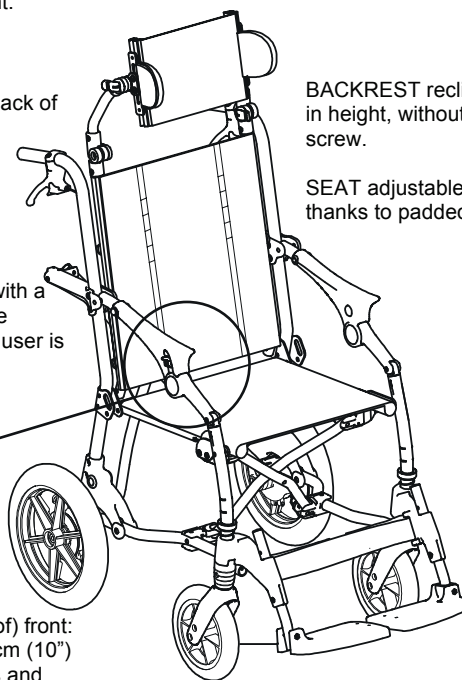
Solid WHEELS (puncture-proof) front: swiveling 17 cm (7") back 25 cm (10") with independent drum brakes and OVERCOMING STEP BARS on both wheels.

SUPPORTING UPHOLSTERY extremely breathable, fireproof according to EN 1021-1: 2014 and EN 1021-2: 2014 standards, resistant and easily washable (although not removable)

HEADREST, adjustable in height, tilt and backward-forwards. It closed with the stroller, there is no need to remove it.

BACKREST reclining and adjustable in height, without risk of losing the screw.

SEAT adjustable in depth and width thanks to padded side supports 958.



Height adjustable LEGREST.

Folding and swiveling FOOTREST without encumbrance.

**Compact:** unlike other umbrella folding strollers when closed does not extend, taking up the minimum space

**Lightweight:** without additional components less than 15 kg! (size 36)

**Resistant:** stability and resistance guaranteed by double crossbar, under the seat and behind the backrest

**Comfortable:** the slightly inclined, ergonomic seat and the particular type of upholstery, breathable and robust does flex with the weight of the user.

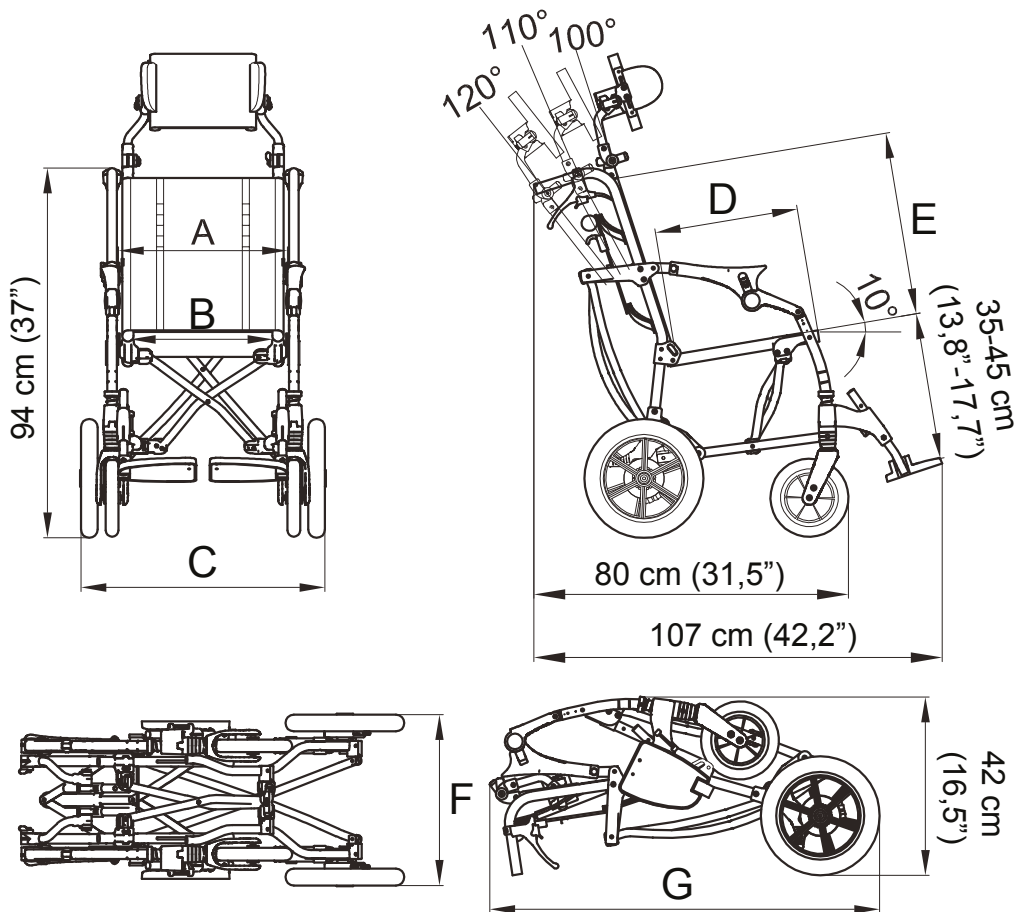
Grows with the child: ergonomic and comfortable seat adjustable in depth and in width.

**Wide range of components** to meet different needs; easy and quick to manage

## MEASURES

• Height of the user 130-175 cm (51,2"-68,9")

Measures in cm and inches  
weight in kg and pounds



	A	B	C	D	E	F	G	WEIGHT OF THE AID	MAX LOAD
<b>36</b>	39 cm (15,4")	36-32-28* cm (14,2"-12,6"-11")*	59 cm (23,2")	36-46 cm (14,2"-18,8")	46-56 cm (18,1"-22")	42 cm (16,5")	94 cm (37")	14,8 kg (32,6 lb)	90 kg (198 lb)
<b>40</b>	43 cm (16,9")	40-36-32* cm (15,7"-14,2"-12,6")*	63 cm (24,8")	36-46 cm (14,2"-18,8")	46-56 cm (18,1"-22")	46 cm (18,1")	94 cm (37")	15,8 kg (34,8 lb)	90 kg (198 lb)
<b>43</b>	46 cm (18,1")	43-39-35* cm (16,9"-15,4"-13,8")*	66 cm (26")	36-46 cm (14,2"-18,8")	46-56 cm (18,1"-22")	46 cm (18,1")	97 cm (38,1")	16,8 kg (37 lb)	90 kg (198 lb)

\* With the padded pelvic sidesupports 958 the width is reduced by 4 cm (1,6") or 8 cm (3,2") removing the internal padding. 36-40-43 cm (14,2"-15,7"-16,9") width without padded pelvic side supports.

*The numbers divided by the dash specify a minimum and a maximum adjustment*

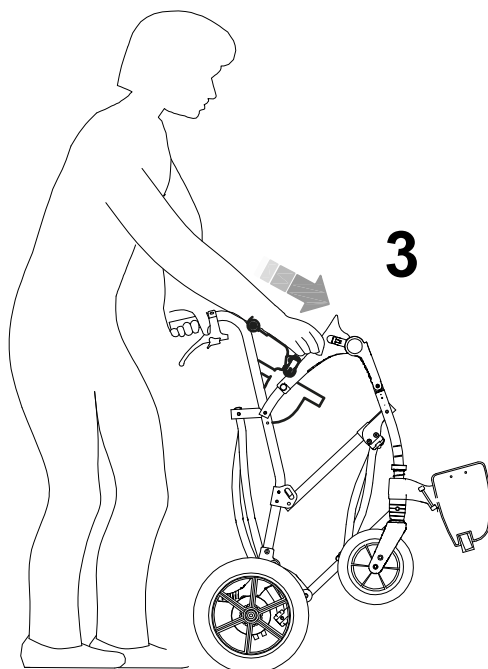
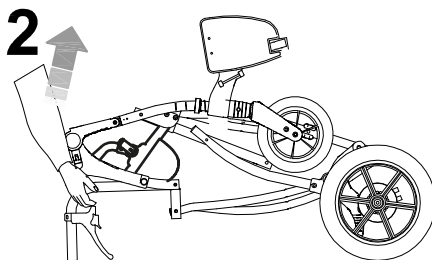
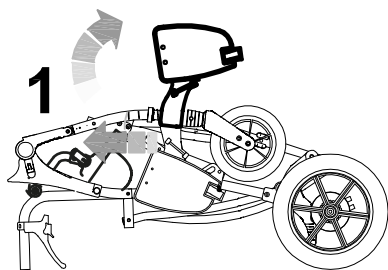
---

## HOW TROLLI WORKS AND HOW TO USE IT

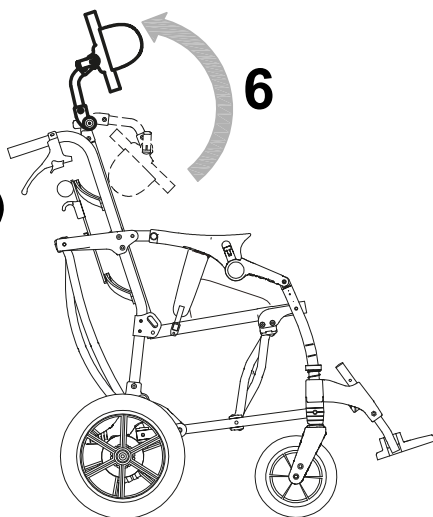
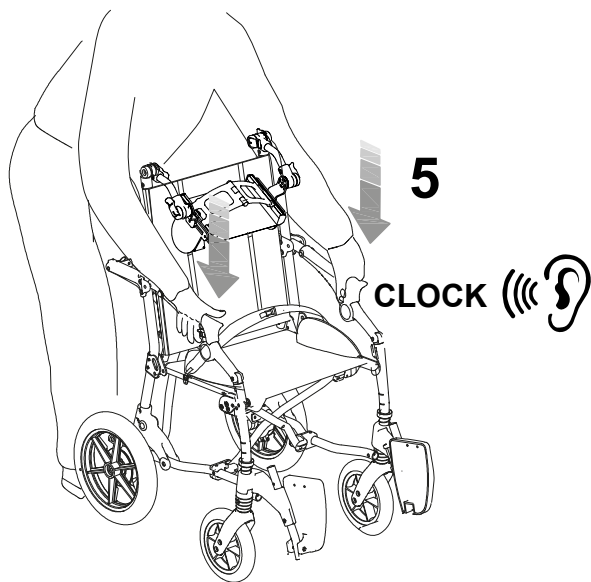
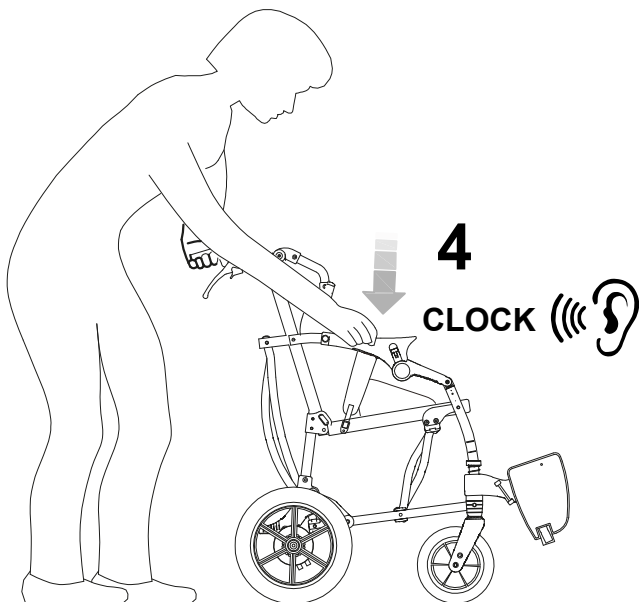
(video at the product page of the website [www.ormesa.com](http://www.ormesa.com))

### OPENING THE DEVICE

1. PULL FORWARD THE LEGREST AND CONTEMPORARELY TURN IT UPWARDS
2. RAISE THE DEVICE TO A VERTICAL POSITION
3. OPEN THE DEVICE BY PUSHING WITH ONE HAND ON THE HANDLE AND OTHER ON THE ARM



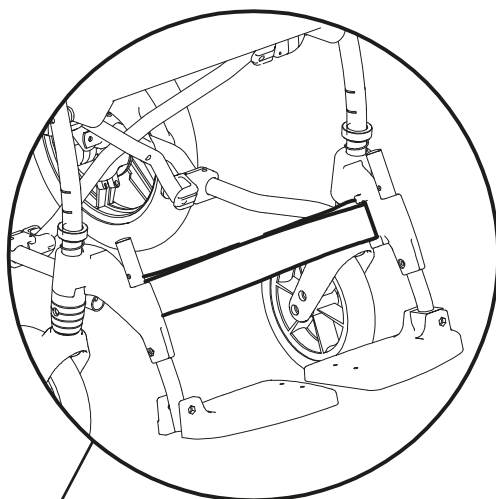
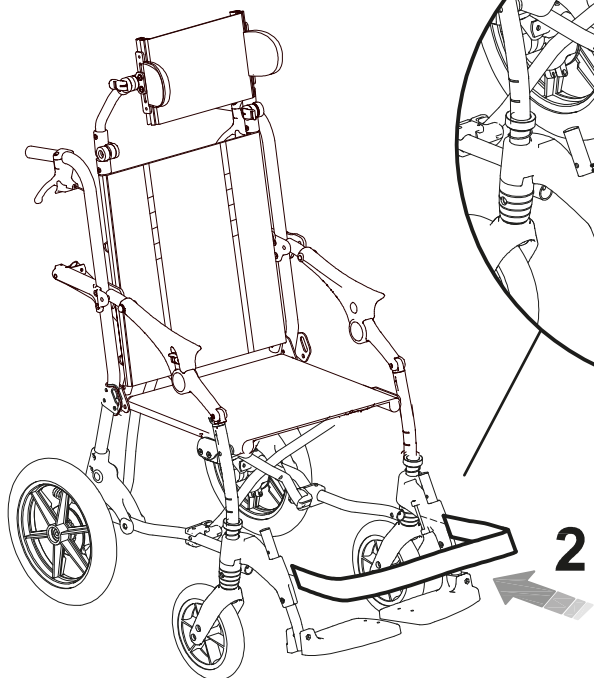
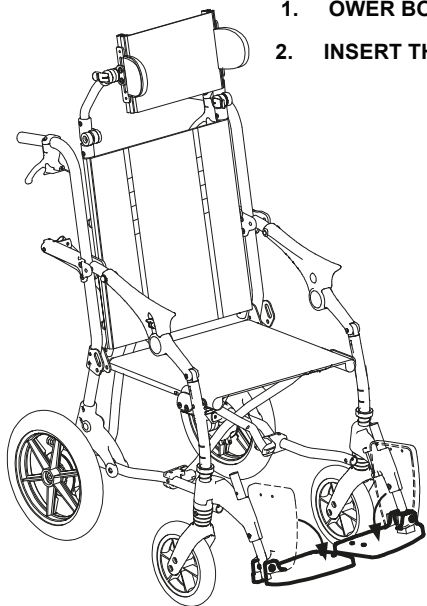
- 4. 5. PUSH BOTH ARMS DOWN. WHEN IT CLICKS, THE FRAME IS LOCKED
- 6. OPEN THE HEADREST



**BEWARE! BE SURE THAT THE FRAME IS WELL LOCKED**

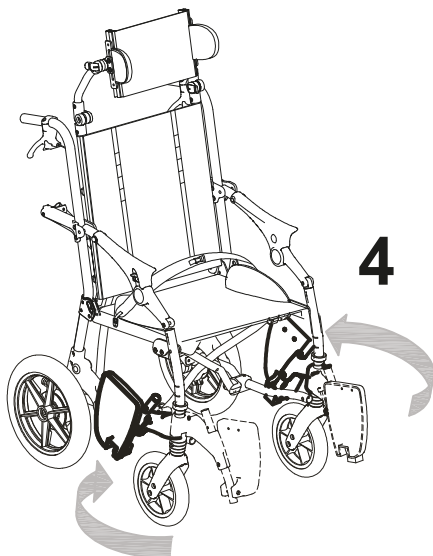
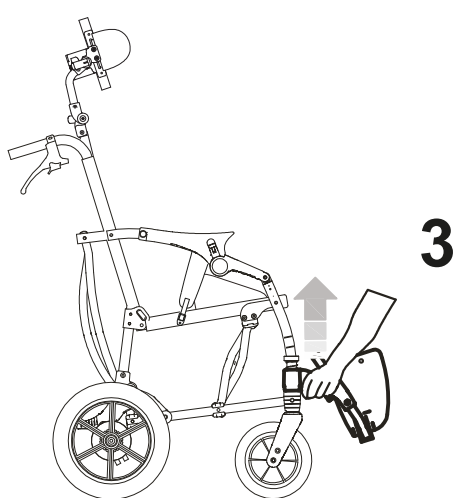
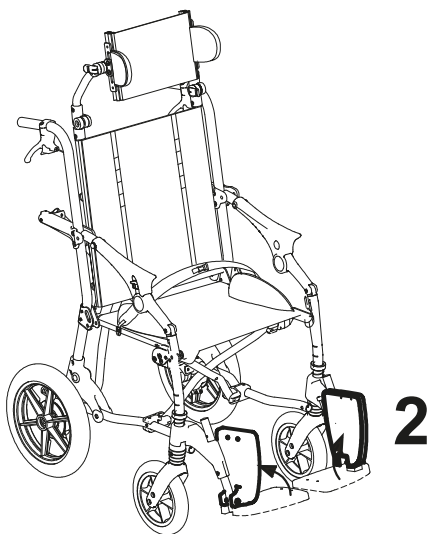
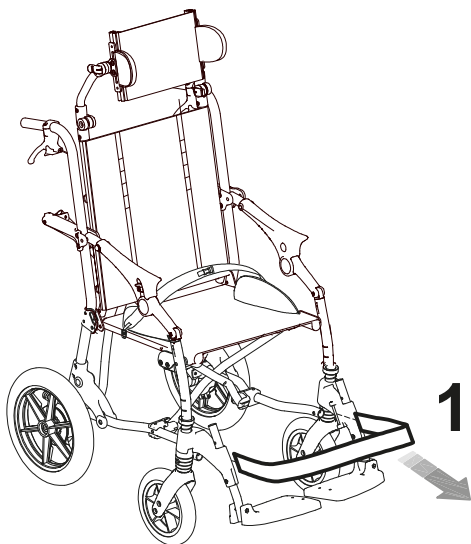
## OPENING THE FOOTRESTS and INSERTING of the LEGREST BAND

1. LOWER BOTH FOOTRESTS
2. INSERT THE LEGREST BAND IN THE PROPER LOOPS



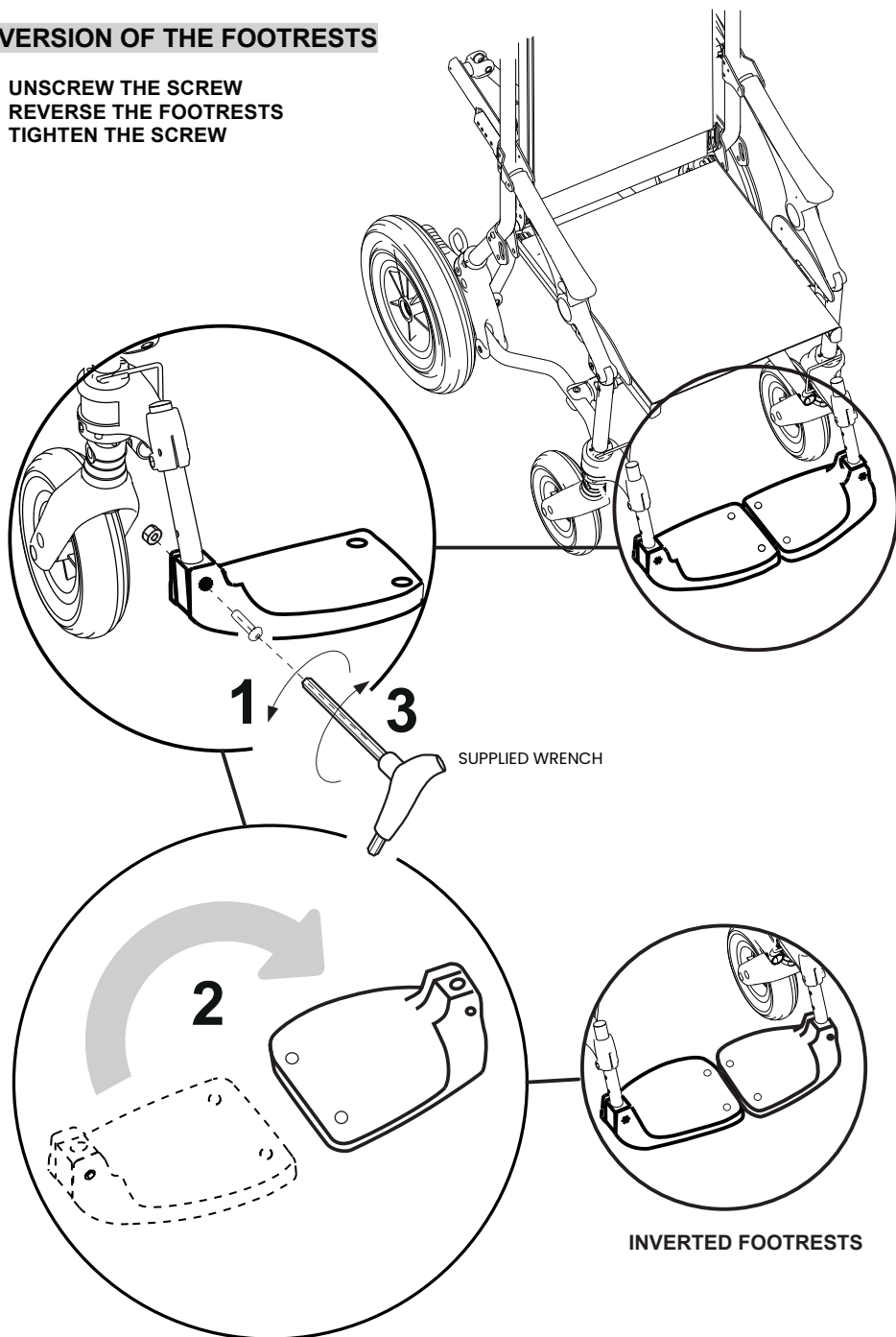
## **CLOSING THE FOOTRESTS**

- 1. REMOVE THE LEG SUPPORT BAND**
- 2. TIP BOTH FOOTRESTS UP**
- 3. PULL UP ON THE LEG SUPPORT**
- 4. AND, AT THE SAME TIME TURN THE LEG SUPPORT TOWARDS THE BACK**



## INVERSION OF THE FOOTRESTS

1. UNSCREW THE SCREW
2. REVERSE THE FOOTRESTS
3. TIGHTEN THE SCREW



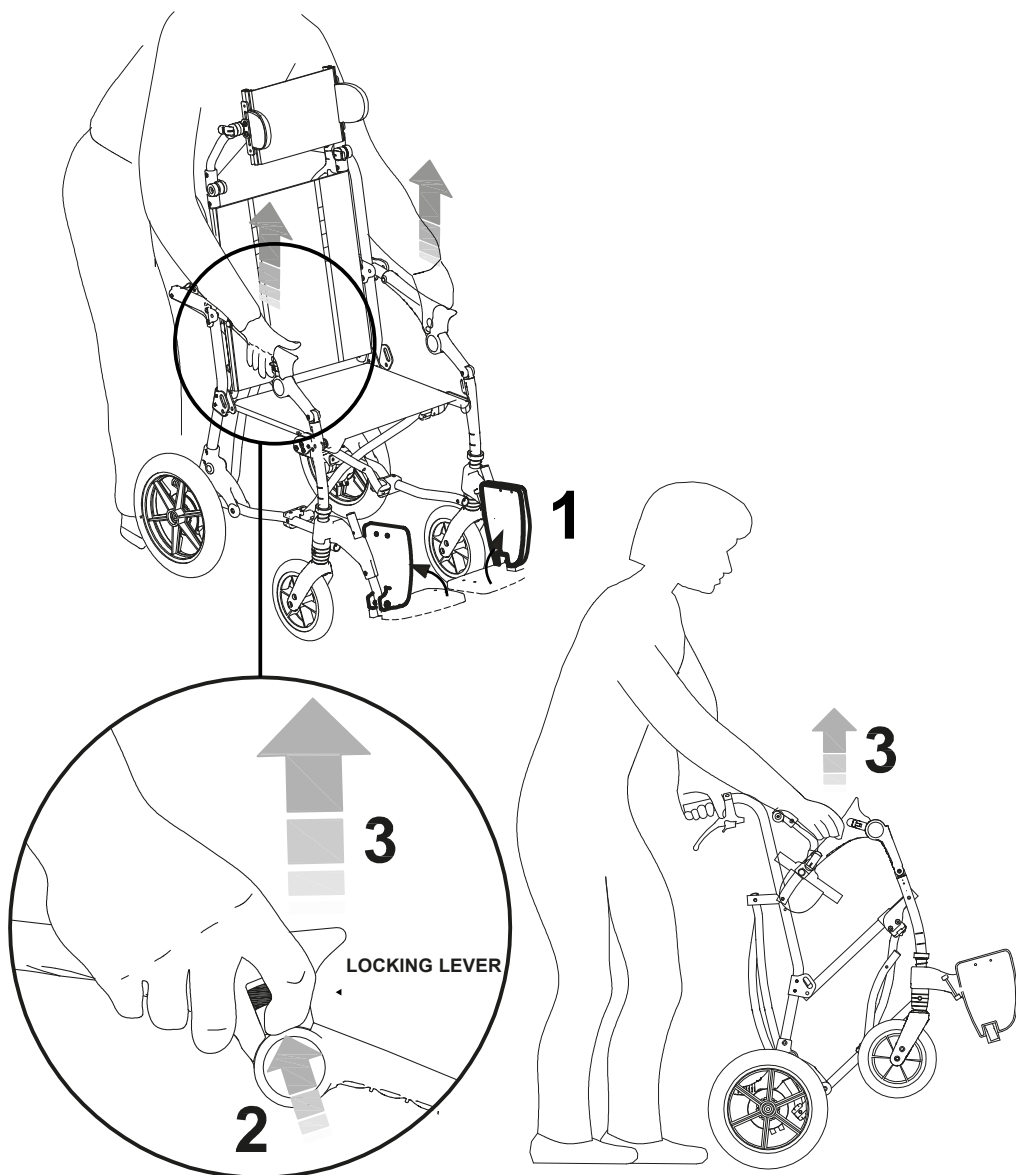


## CLOSING THE DEVICE

(video at the product page of the website [www.ormesa.com](http://www.ormesa.com))

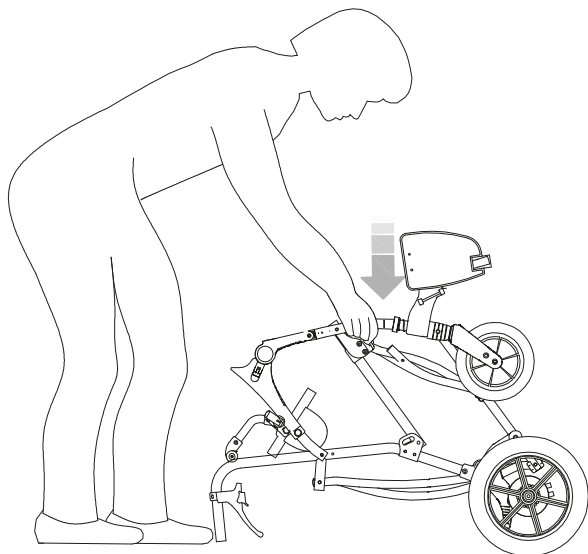
### BRAKING THE STROLLER (PAG. 8) AND FOLD THE HEADREST (PAG. 28)

1. TIP BOTH FOOTREST UP
2. . 3. PULL UP THE LOCKING LEVER WITH BOTH HANDS, AT THE SAME TIME PULL UP THE ARMREST

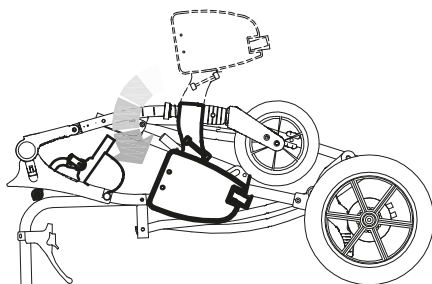


4. PLACE THE STROLLER IN HORIZONTAL POSITION AND PUSH ON THE FRAME UNTIL COMPLETELY CLOSED
5. TIP UP BOTH FOOTRESTS

4

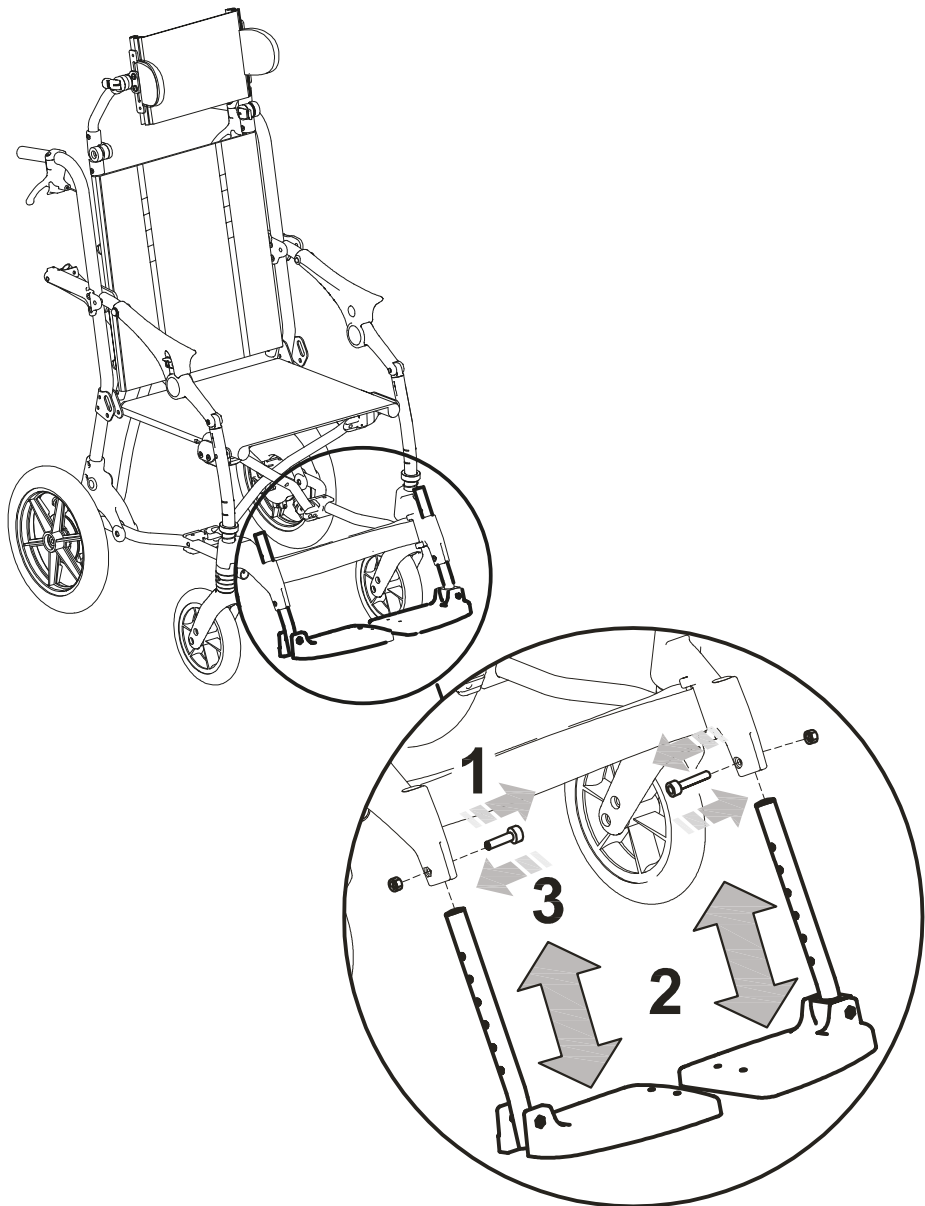


5



## ADJUSTING THE FOOTRESTS IN HEIGHT

1. UNSCREW NUTS AND REMOVE SCREWS
2. PLACE THE FOOTREST AT THE DESIRED HEIGHT
3. INSERT SCREWS AND TIGHTEN NUTS

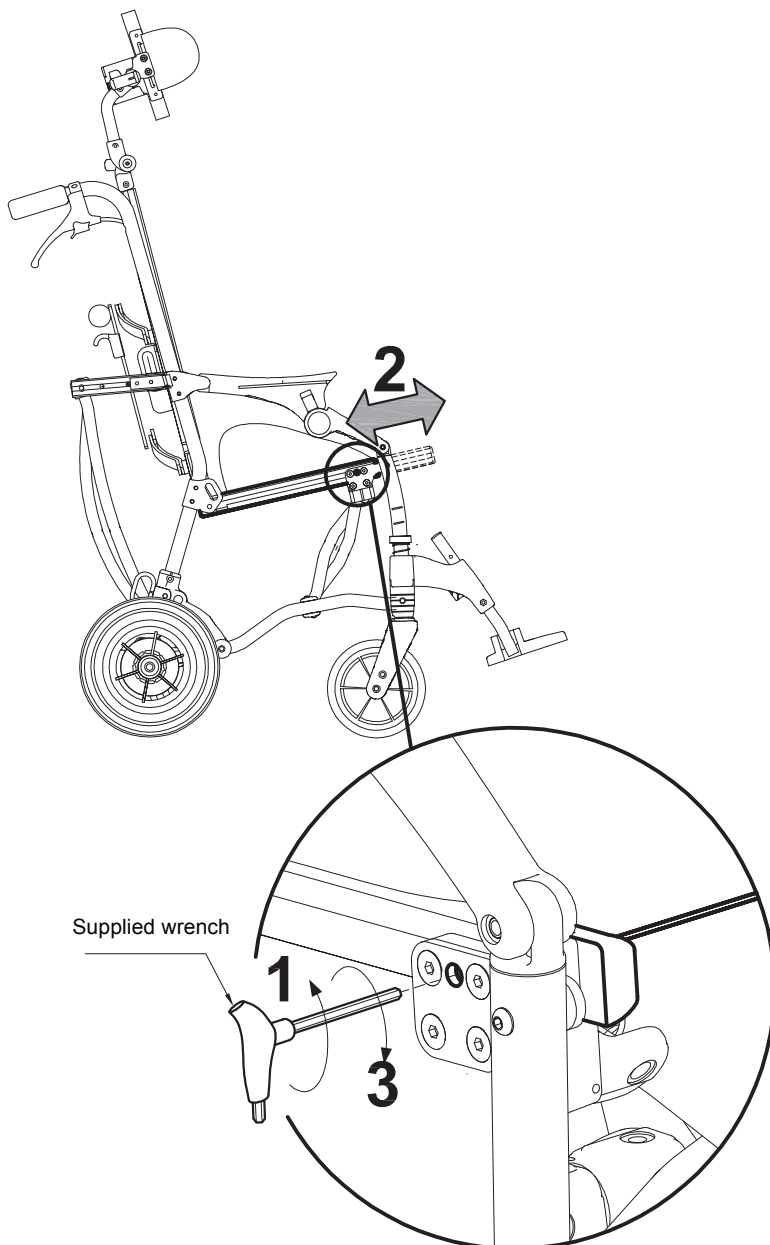


## ADJUSTING THE DEPTH OF THE SEAT

1 LOOSEN THE INDICATED SCREW (on both sides)

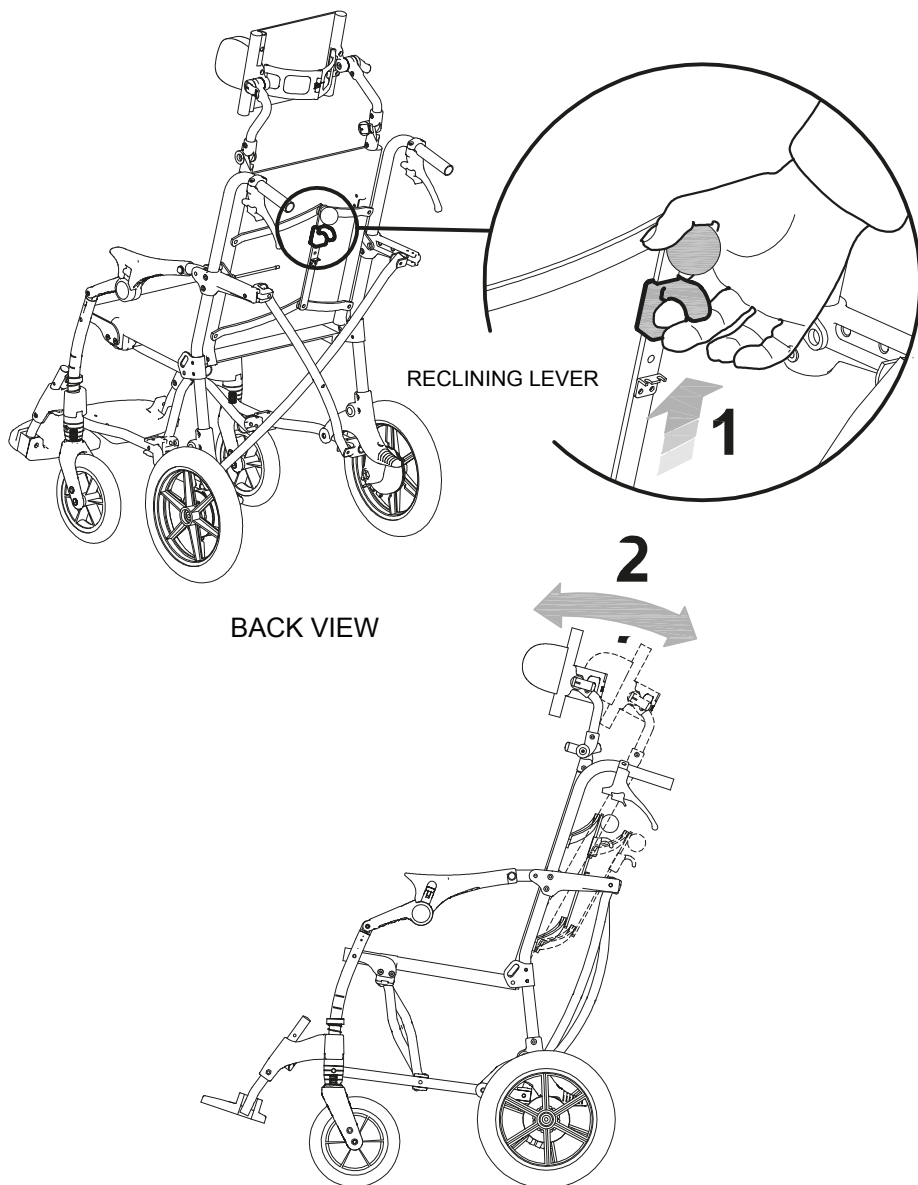
2 ADJUST THE HEIGHT OF THE BACKREST

3 TIGHTEN THE SCREW INDICATED (in both sides)



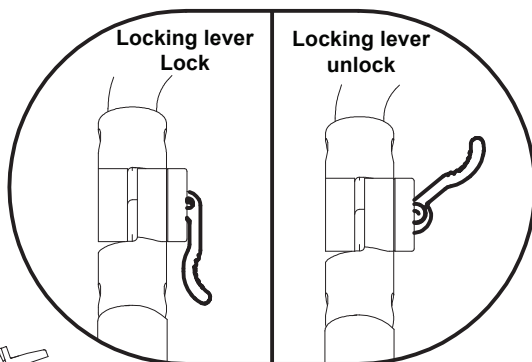
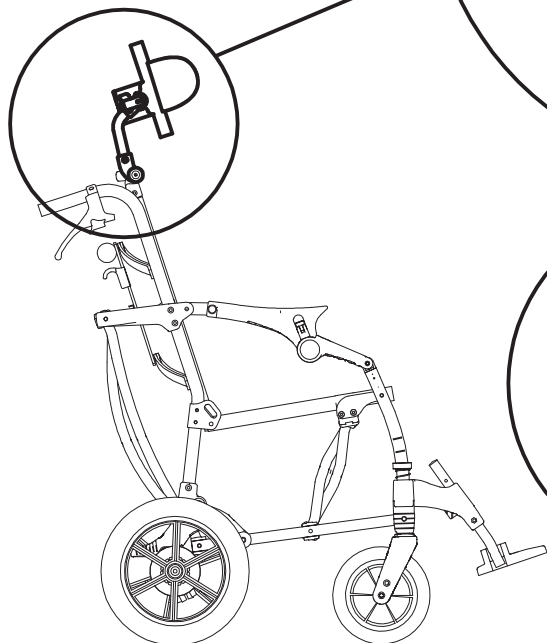
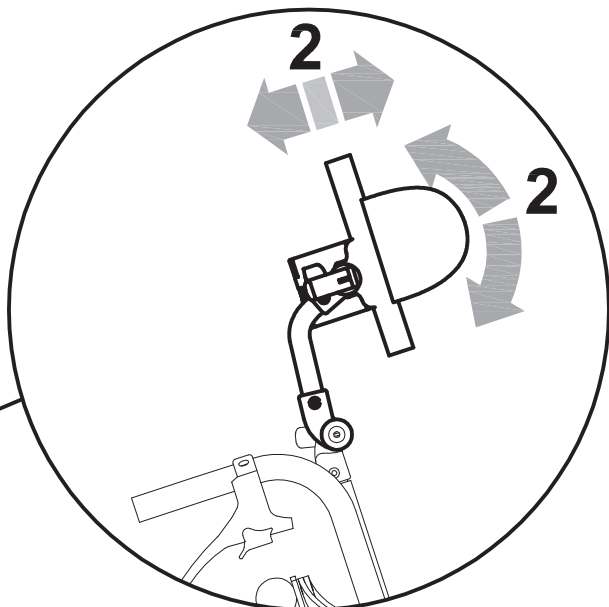
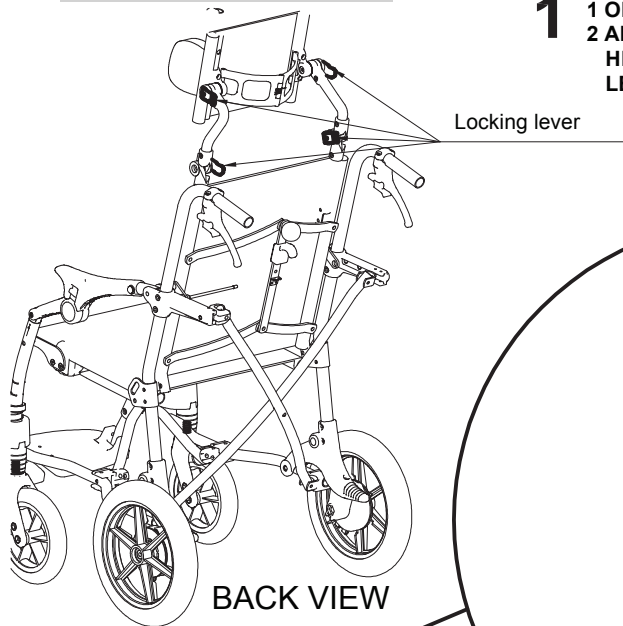
## ADJUSTING THE RECLINING OF THE BACKREST

- 1- PULL THE RECLINING LEVER UP
- 2- RECLINE THE BACKREST  
(A CLICK SIGNALS THE NEXT POSITION)

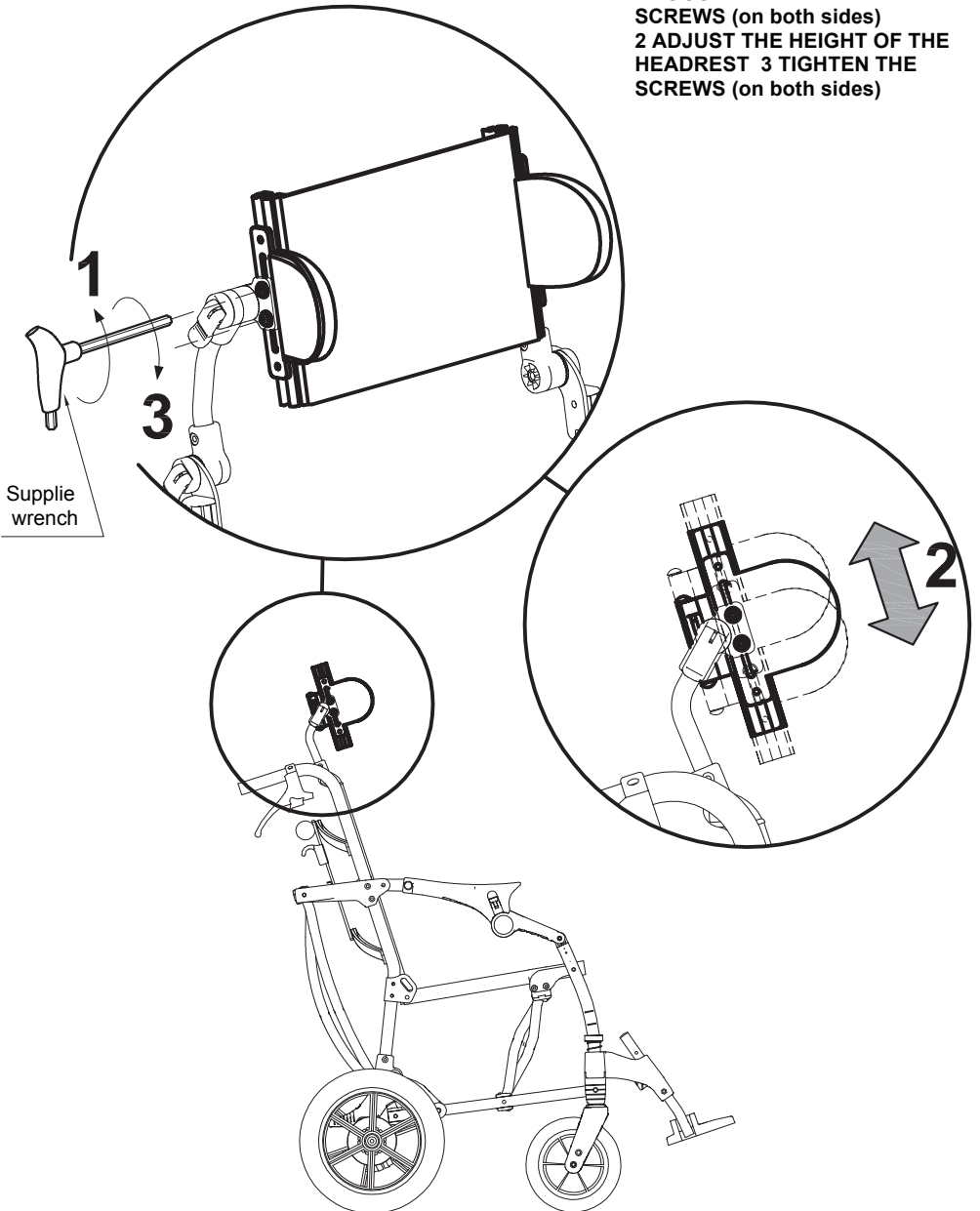


## ADJUSTING THE HEADREST

- 1 OPEN THE 4 LOCKING LEVERS
- 2 ADJUSTING THE TILT AND DEPTH OF THE HEADREST AND CLOSED THE 4 LOCKING LEVERS



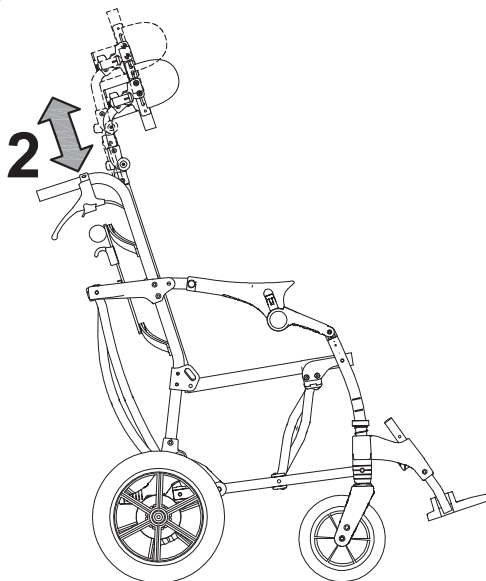
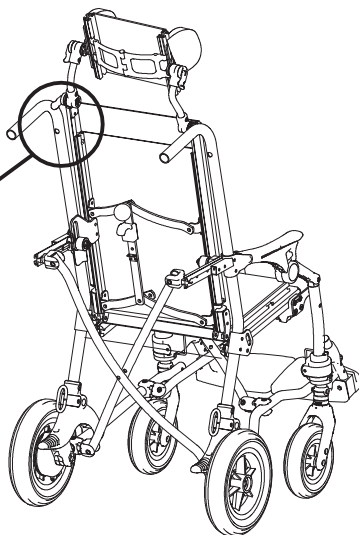
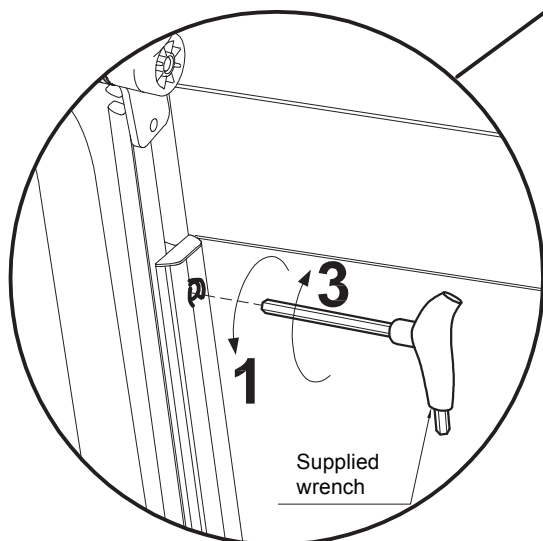
**1 LOOSEN THE INDICATED  
SCREWS (on both sides)  
2 ADJUST THE HEIGHT OF THE  
HEADREST 3 TIGHTEN THE  
SCREWS (on both sides)**



## ADJUSTING THE HEIGHT OF THE BACKREST

- 1 LOOSEN THE INDICATED SCREW (on both sides)
- 2 ADJUST THE HEIGHT OF THE BACKREST
- 3 TIGHTEN THE SCREW INDICATED (in both sides)

BACK VIEW  
OF THE BACKREST





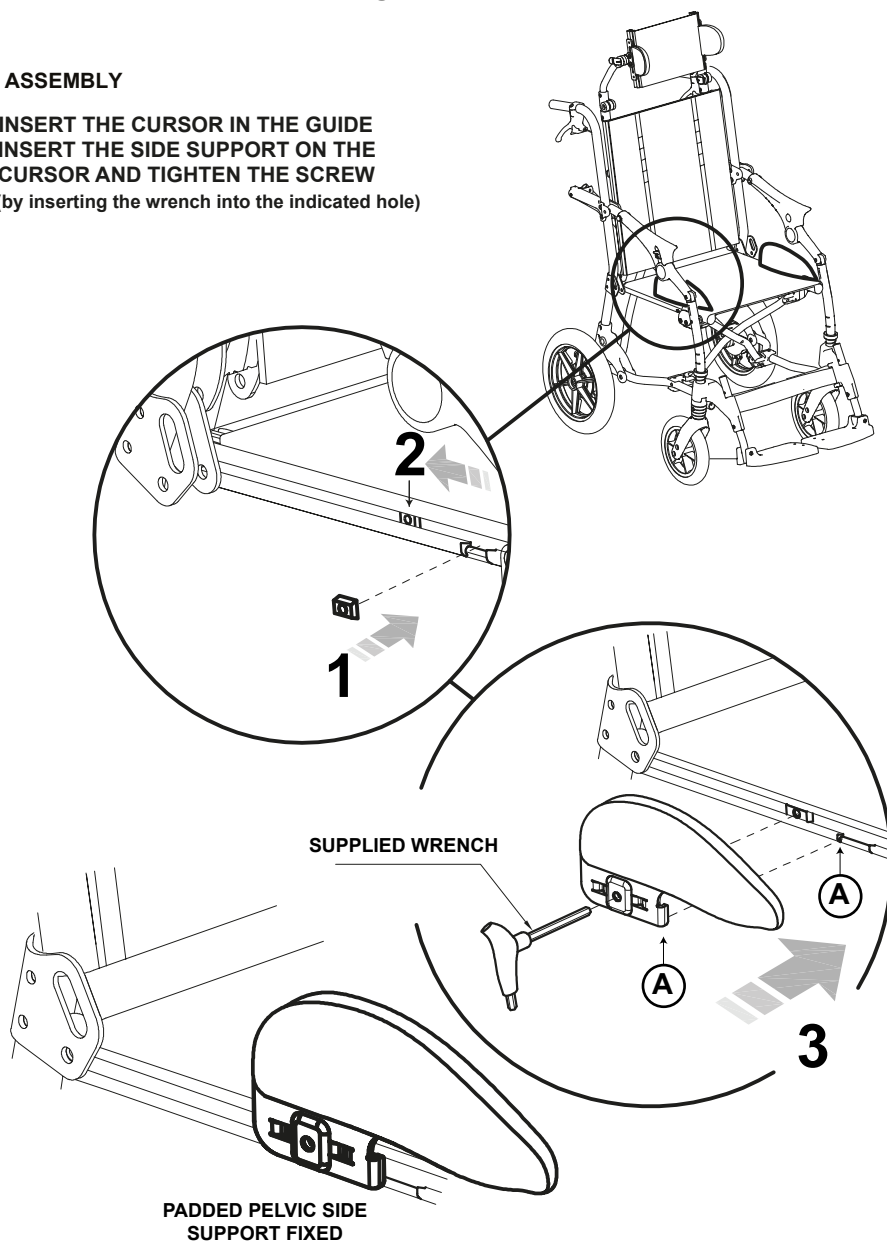
## ASSEMBLING THE ADDITIONAL COMPONENTS

### PADDED PELVIC SIDE SUPPORTS 958

(video at the product page of the website [www.ormesa.com](http://www.ormesa.com))

#### A. ASSEMBLY

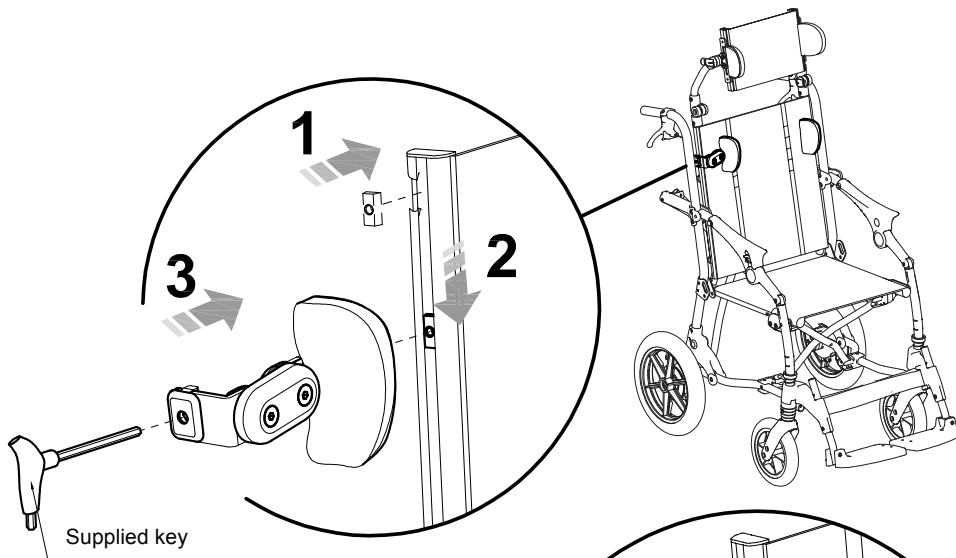
1. 2. INSERT THE CURSOR IN THE GUIDE
3. INSERT THE SIDE SUPPORT ON THE CURSOR AND TIGHTEN THE SCREW  
(by inserting the wrench into the indicated hole)



(video at the product page of the website [www.ormesa.com](http://www.ormesa.com))

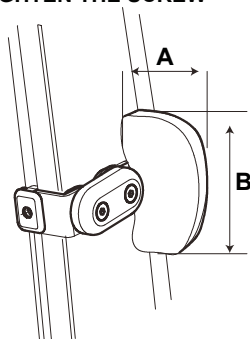
## A-INSERTION

- 1 INSERT THE CURSOR IN THE GUIDE
- 2 INSERT THE SIDE SUPPORT AND TIGHTEN THE SCREW  
(by inserting the wrench into the indicated hole)



## B-HEIGHT ADJUSTMENT

- 1 LOOSEN THE SCREW INDICATED  
(by inserting the wrench into the indicated hole)
- 2 ADJUST THE SIDE SUPPORT IN HEIGHT
- 3 TIGHTEN THE SCREW



Size mini-Small

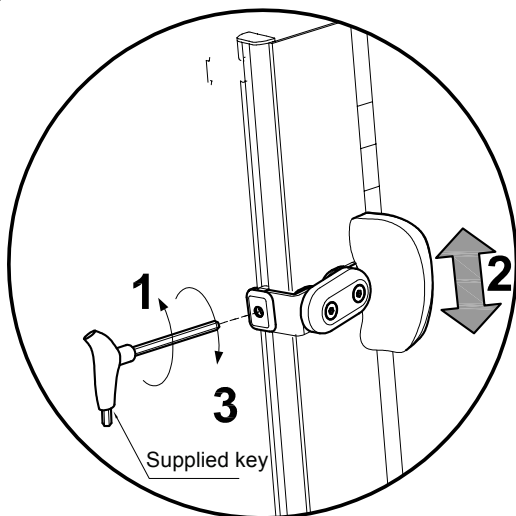
A: 9 cm (3,5")

B: 12 cm (4,7")

Size Medium-Large

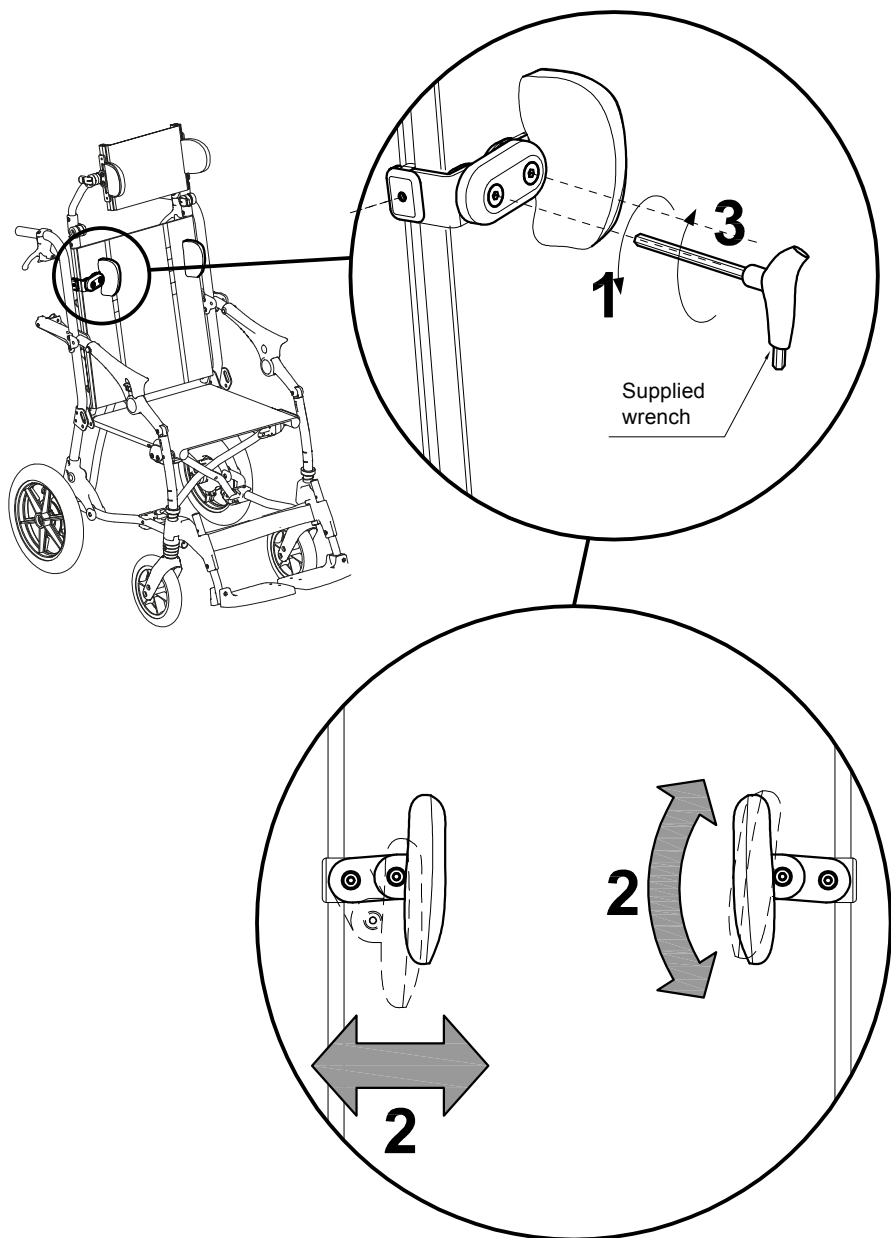
A: 10 cm (3,9")

B: 14 cm (5,5")



## C-WIDTH AND ROTATION ADJUSTMENT

- 1 LOOSEN THE INDICATED SCREWS
- 2 ADJUST THE SIDE SUPPORT IN WIDTH AND TILT
- 3 TIGHTEN THE SCREWS

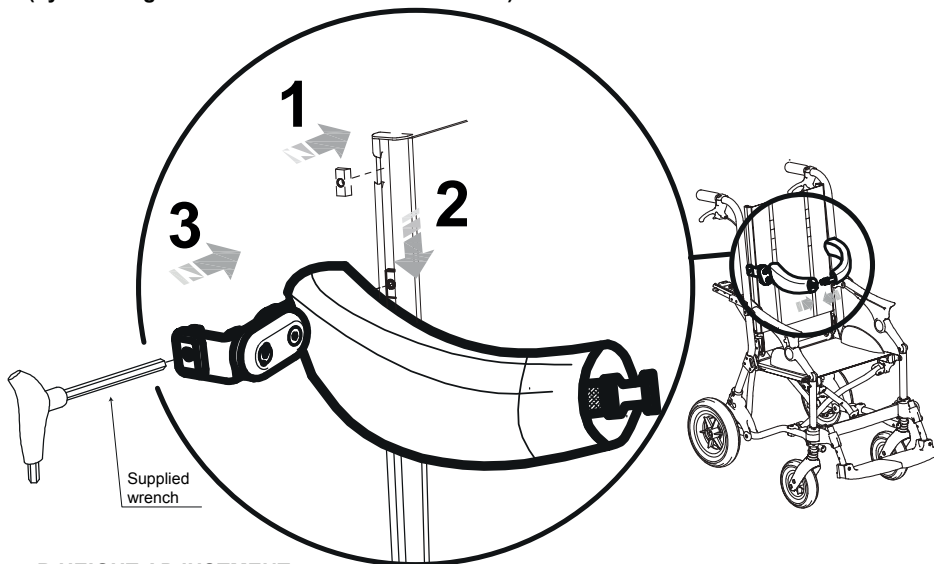


## WRAPPABLE AND FLEXIBLE TRUNK SUPPORT 868

Multiadjustable in height, width and inclination

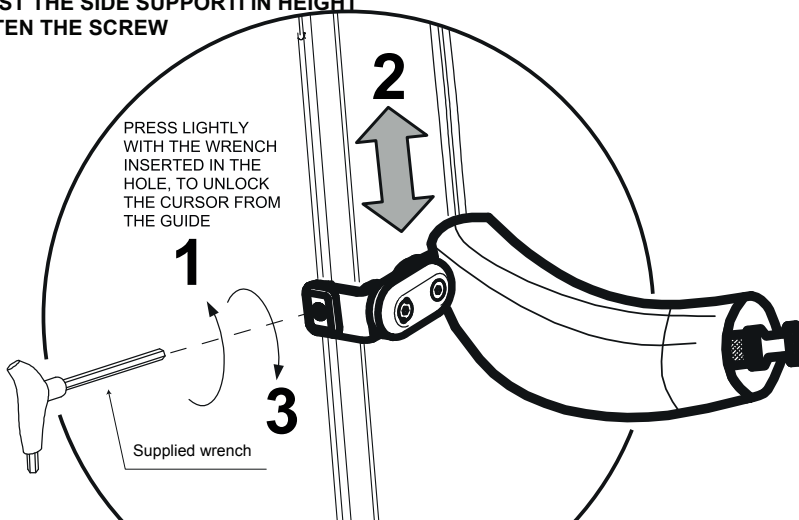
### A ASSEMBLY

1. 2. INSERT THE CURSOR IN THE GUIDE
3. INSERT THE SIDE SUPPORT ON THE CURSOR AND TIGHTEN THE SCREW (by inserting the wrench into the indicated hole)



### B HEIGHT ADJUSTMENT

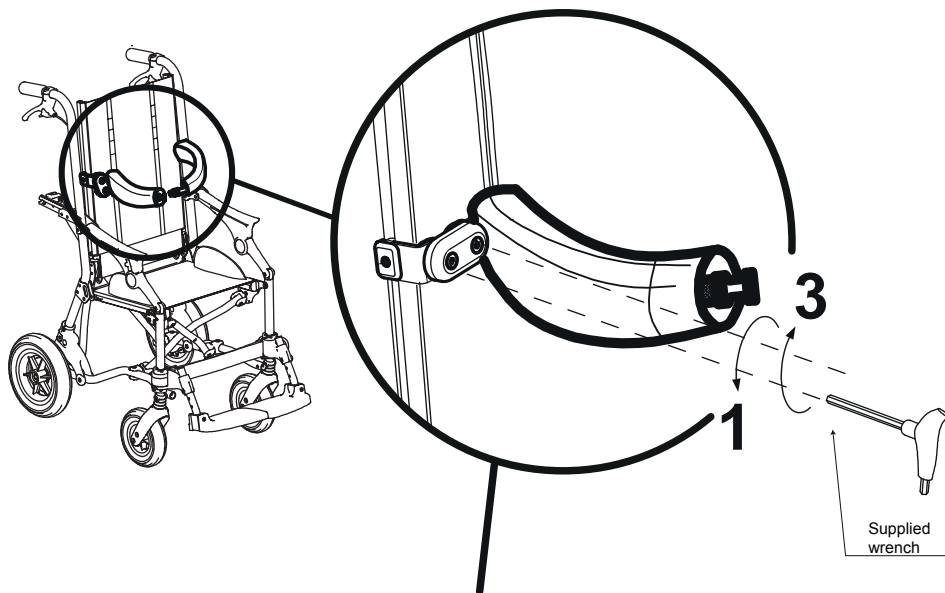
1. LOOSEN THE INDICATED SCREW (by inserting the wrench into the indicated hole)
2. ADJUST THE SIDE SUPPORT IN HEIGHT
3. TIGHTEN THE SCREW



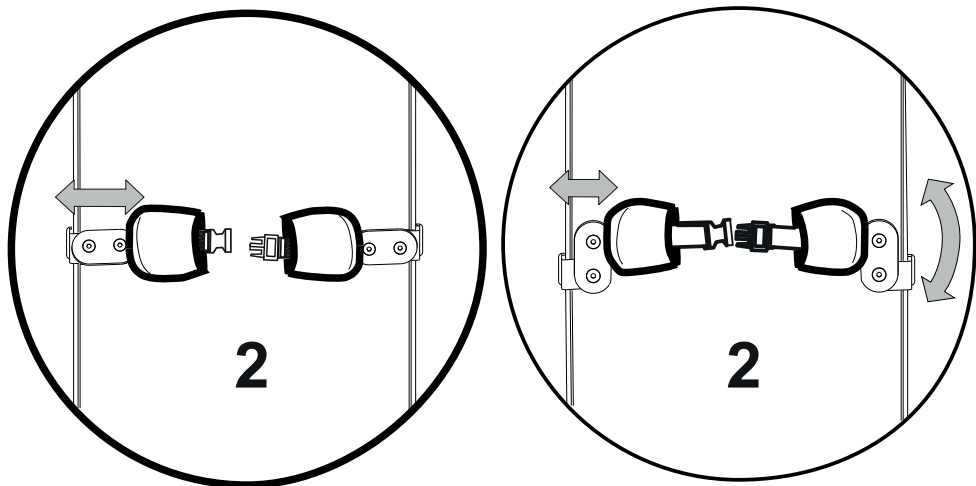
## B. WIDTH AND TILT ADJUSTMENT

1. LOOSEN THE INDICATED SCREWS
2. ADJUST THE SIDE SUPPORT IN WIDTH AND TILT
3. TIGHTEN THE SCREWS

SUPPLIED WRENCH



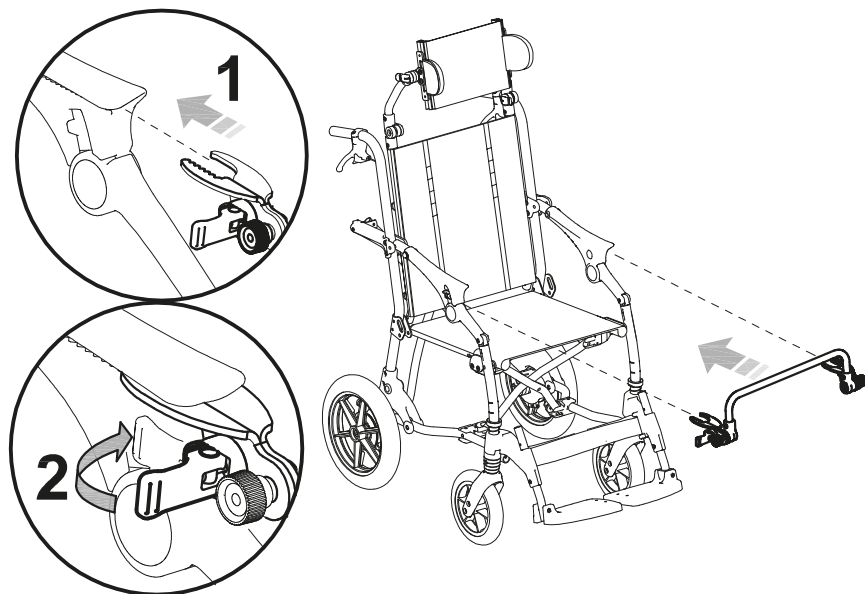
BACKREST FRONT VIEW



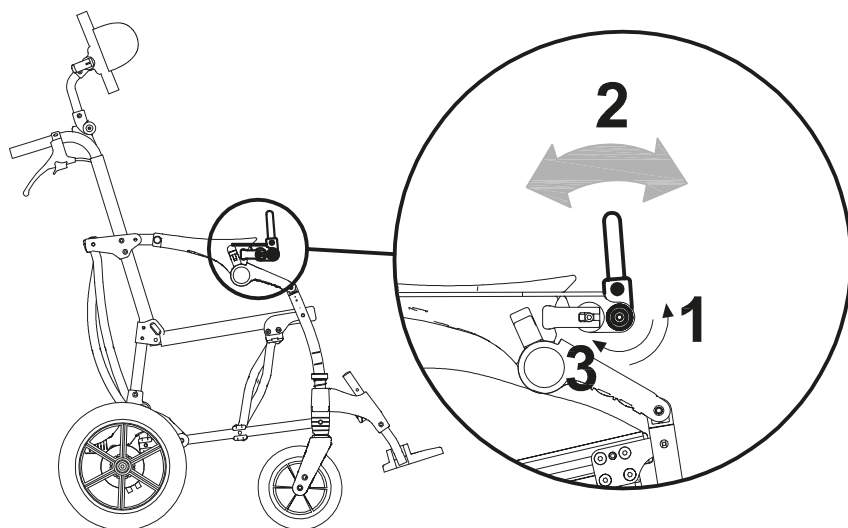
## FRONT HANDLEBAR 839

Tilt adjustment

### A. ASSEMBLY



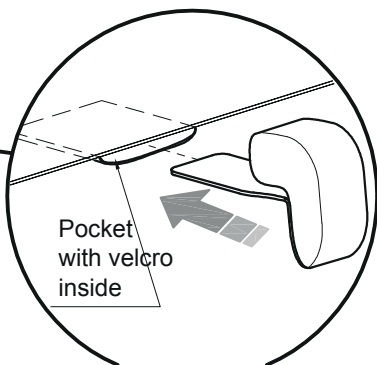
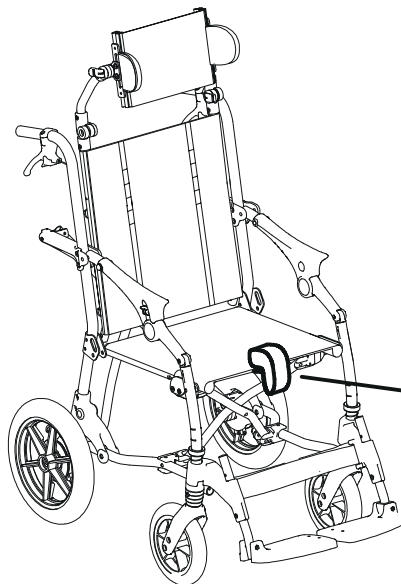
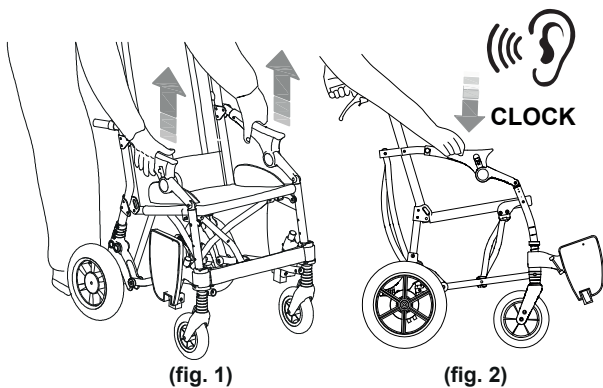
### B. TILT ADJUSTMENT



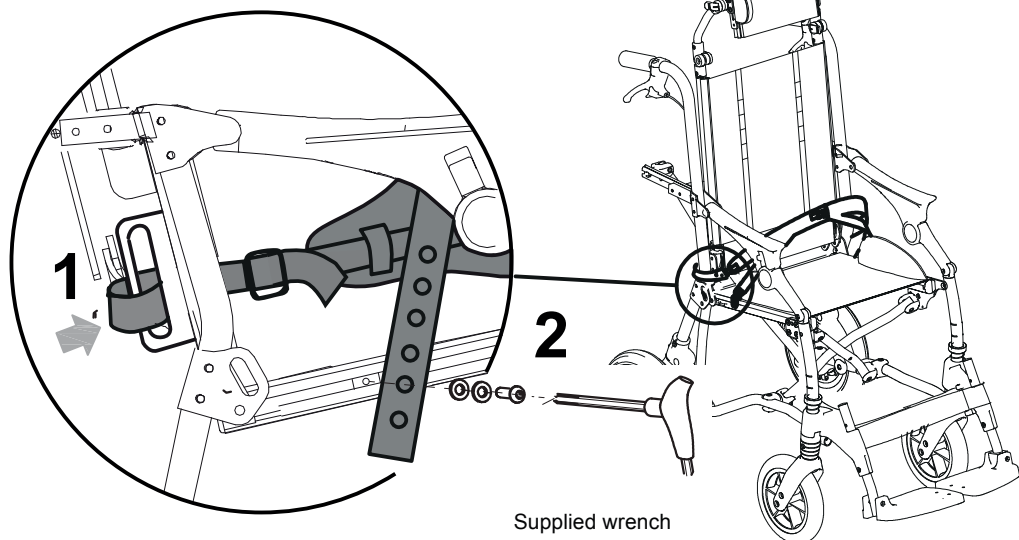
## ABDUCTION BLOCK 834

Before inserting the Abduction block it is advisable to close the device slightly (fig. 1)

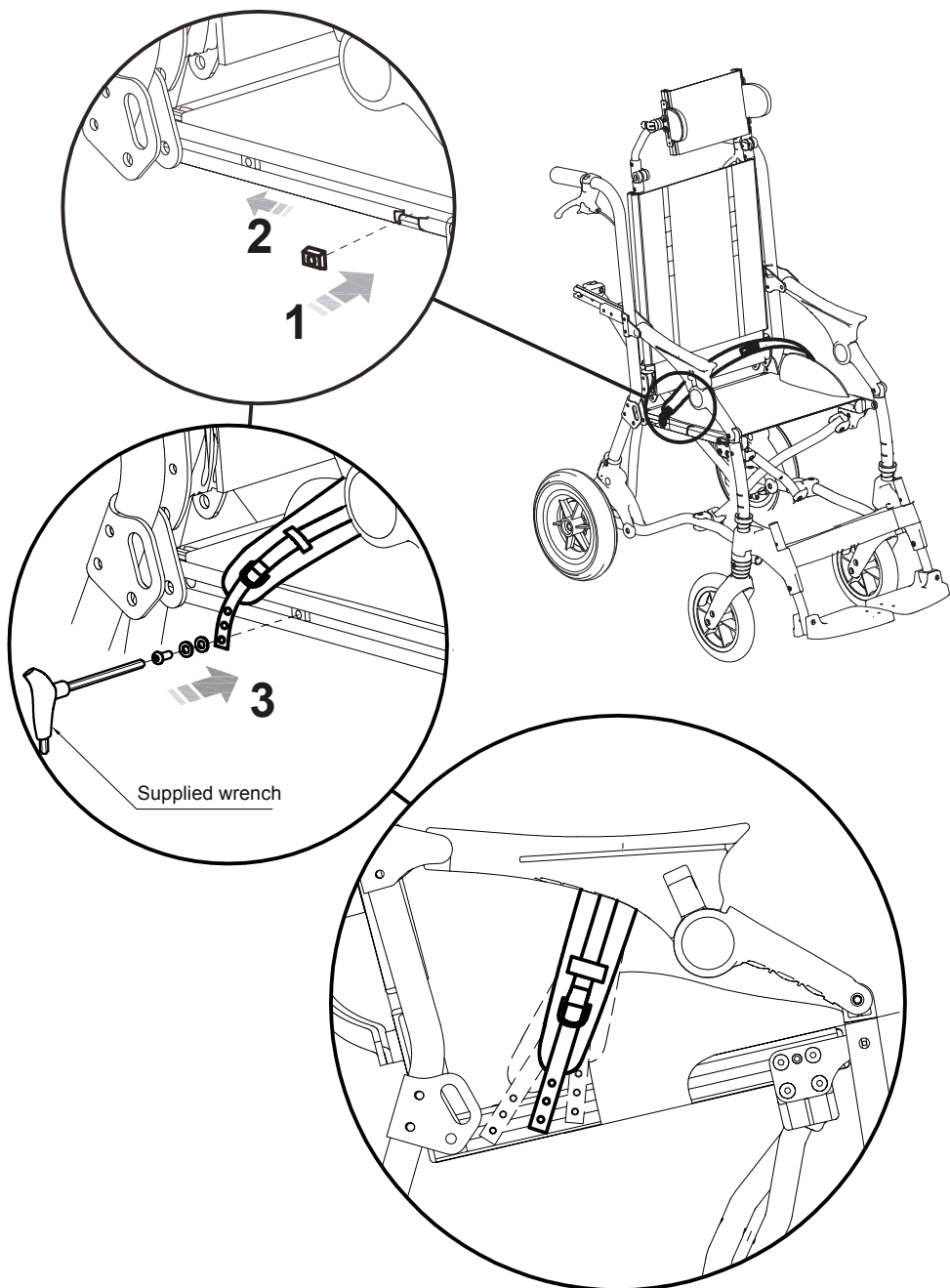
Remember to lock the armrests again before using the device (fig. 2)



## 4-POINT PELVIC BELT 920

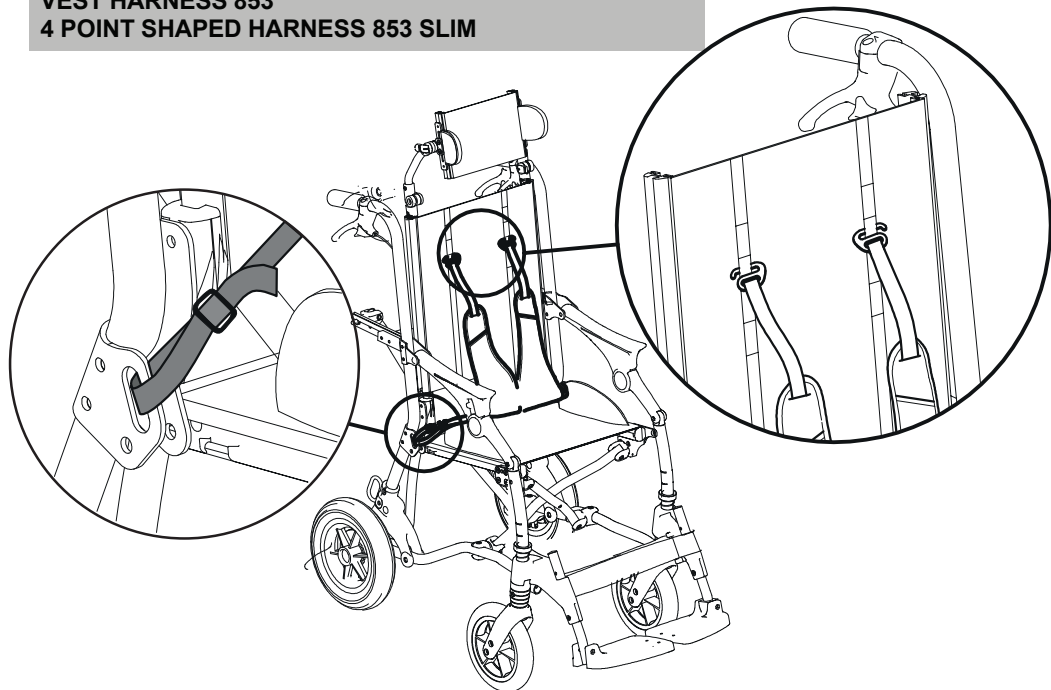


**PELVIC BELT WITH VARIABLE ANGLE (from 45° to 90°) 947**

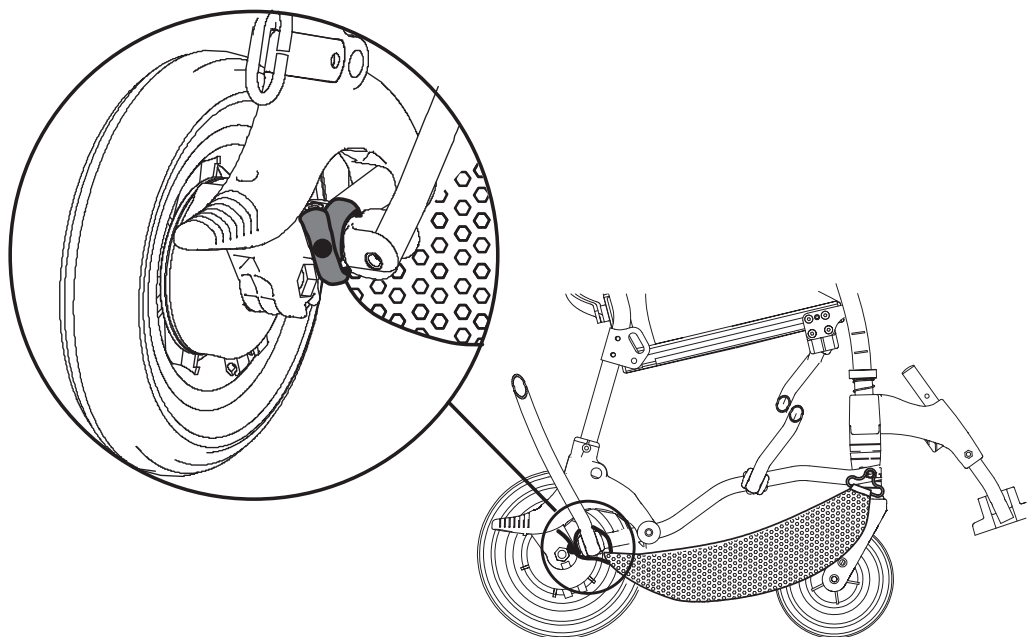




**VEST HARNESS 853**  
**4 POINT SHAPED HARNESS 853 SLIM**



**SHOPPING BASKET 858**



## 891 TIEDOWN HOOKS (4 RINGS)



**ATTENTION:** The 891 tiedown hooks are safety devices and, as such, they must be fixed to the frame by skilled personnel, such as the manufacturer or reseller that supplied the STROLLER

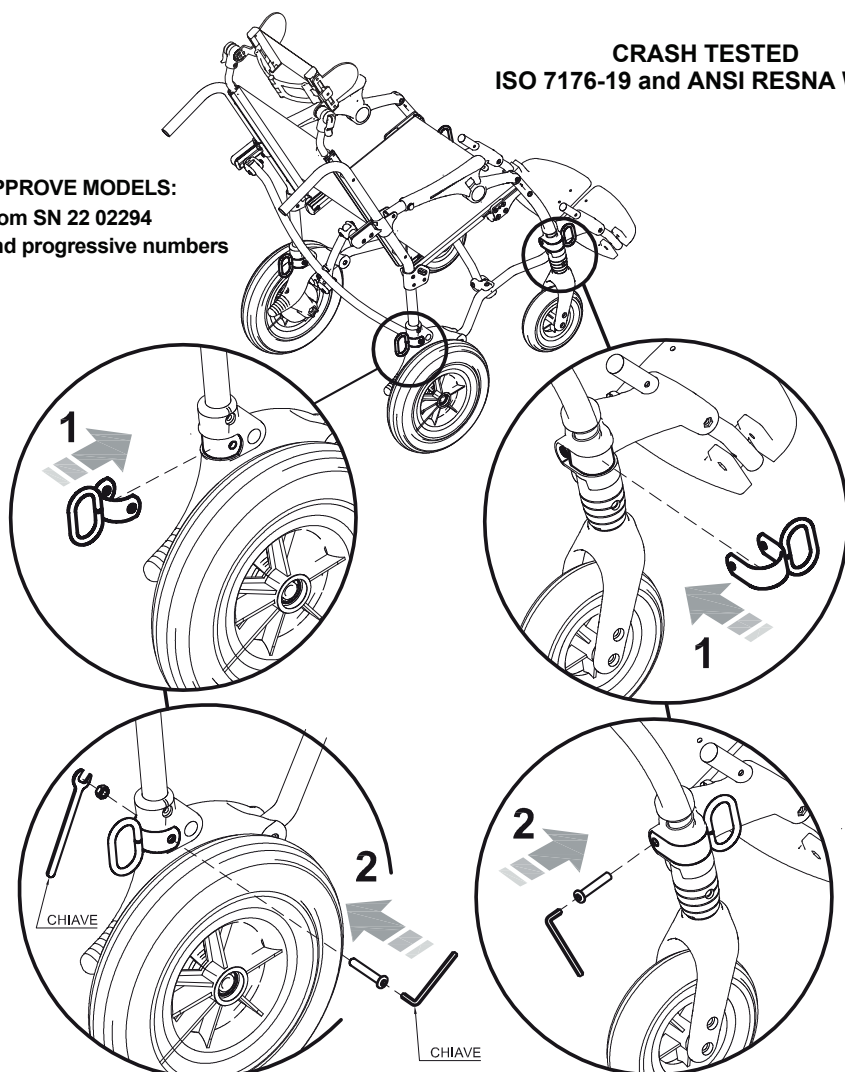
- suitable for ISO 10542-approved four-point straps provided in the vehicle. To anchor TROLLI to the transport vehicle, see the instructions on page 14
- the child must wear both a lap belt and a diagonal shoulder belt ISO 7176-19- or ISO 10542-approved (i.e., belts with a label of conformity to these ISO standards). Postural belts are not approved for use as restraint systems
- the vehicle must be suitable for transporting orthopaedic STROLLER in conformity with current law
- read the warnings and instructions provided on page 5 of this use and maintenance manual.

**CRASH TESTED**  
ISO 7176-19 and ANSI RESNA WC/19

### APPROVE MODELS:

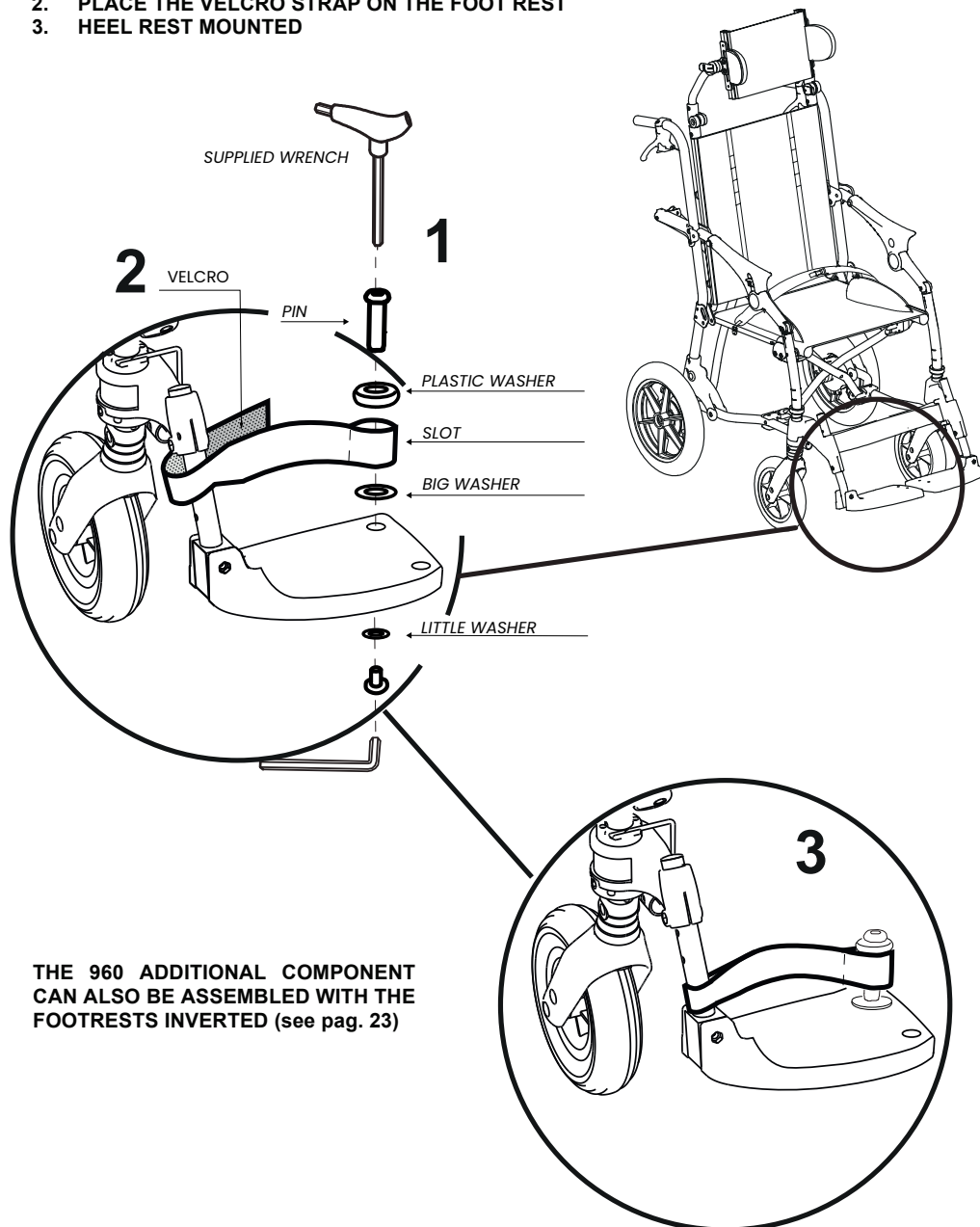
From SN 22 02294

And progressive numbers



## HEEL RESTS 960

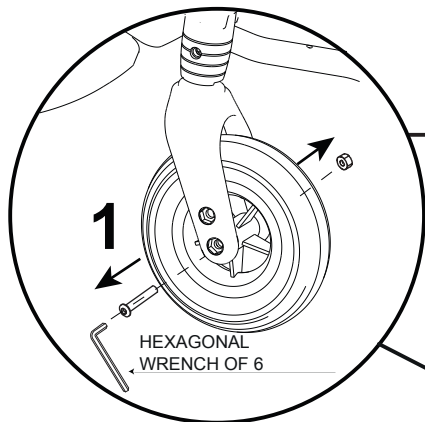
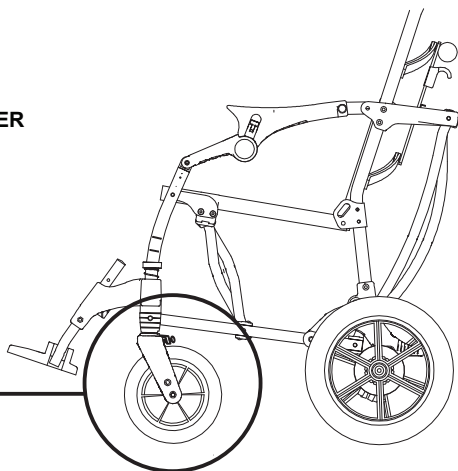
1. SCREW THE PIN ON THE FOOT REST BY INSERTING THE SLOT BETWEEN THE TWO WASHERS
2. PLACE THE VELCRO STRAP ON THE FOOT REST
3. HEEL REST MOUNTED



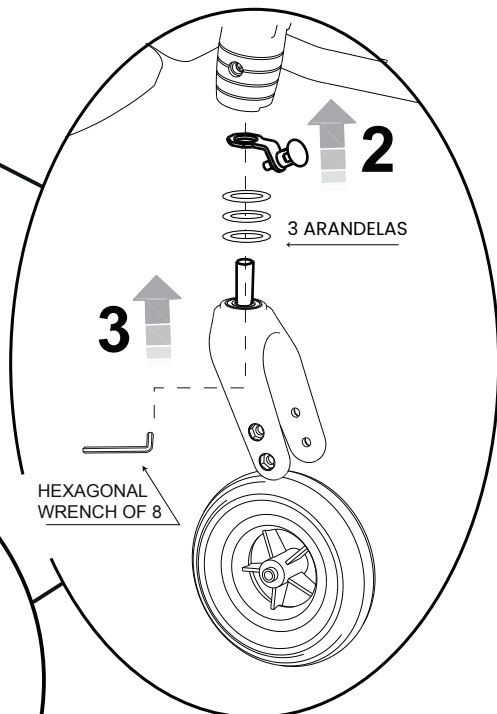
THE 960 ADDITIONAL COMPONENT CAN ALSO BE ASSEMBLED WITH THE FOOTRESTS INVERTED (see pag. 23)

## FRONT WHEEL DIRECTION LOCKS 812

1. REMOVE THE FRONT WHEEL
2. INSERT THE WHEEL DIRECTION LOCKER IN THE WHEEL CARRIER SEAT
3. TIGHTEN THE FORK
4. REASSEMBLE THE WHEEL

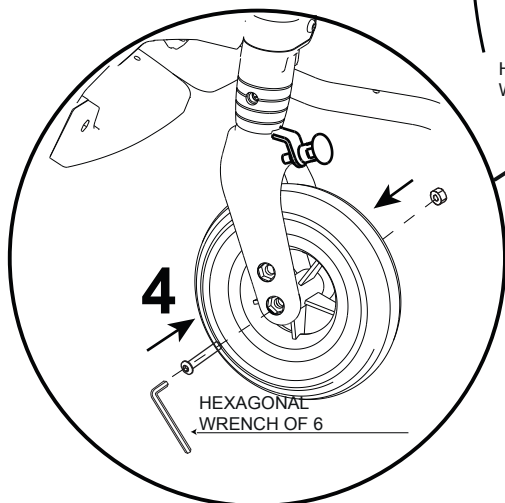


HEXAGONAL  
WRENCH OF 6



3 ARANDELAS

HEXAGONAL  
WRENCH OF 8

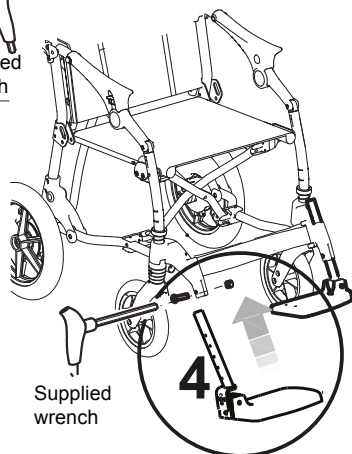
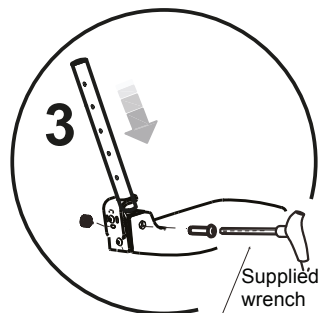
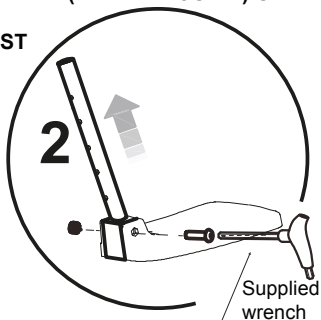
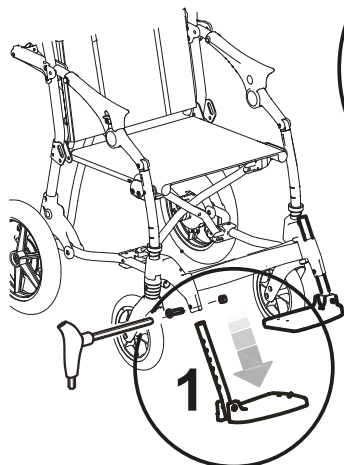


HEXAGONAL  
WRENCH OF 6

## FOOTRESTS ADJUSTABLE IN TILT 956

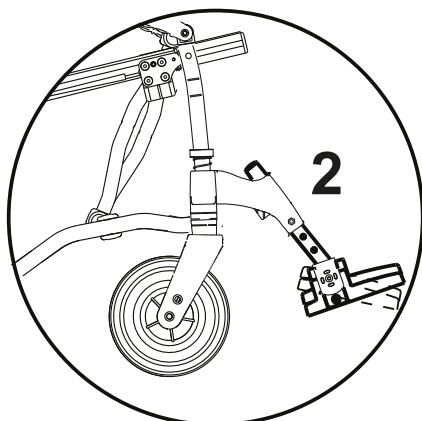
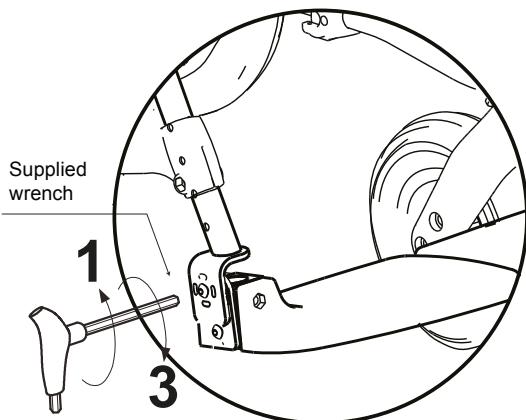
### A. ASSEMBLY

1. UNSCREW THE SCREW AND REMOVE BOTH SUPPLIED FOOTRESTS
2. REMOVE THE FOOTREST FROM THE INDICATED BAR
3. ASSEMBLE THE 956 COMPONENT (BAR AND JOINT) ON THE FOOTREST
4. REASSEMBLY THE FOOTREST ON THE AID



### B. ADJUSTMENT

1. UNSCREW THE SCREW WITH THE SUPPLIED WRENCH
2. TILT THE FOOTREST
3. TIGHTEN THE SCREW

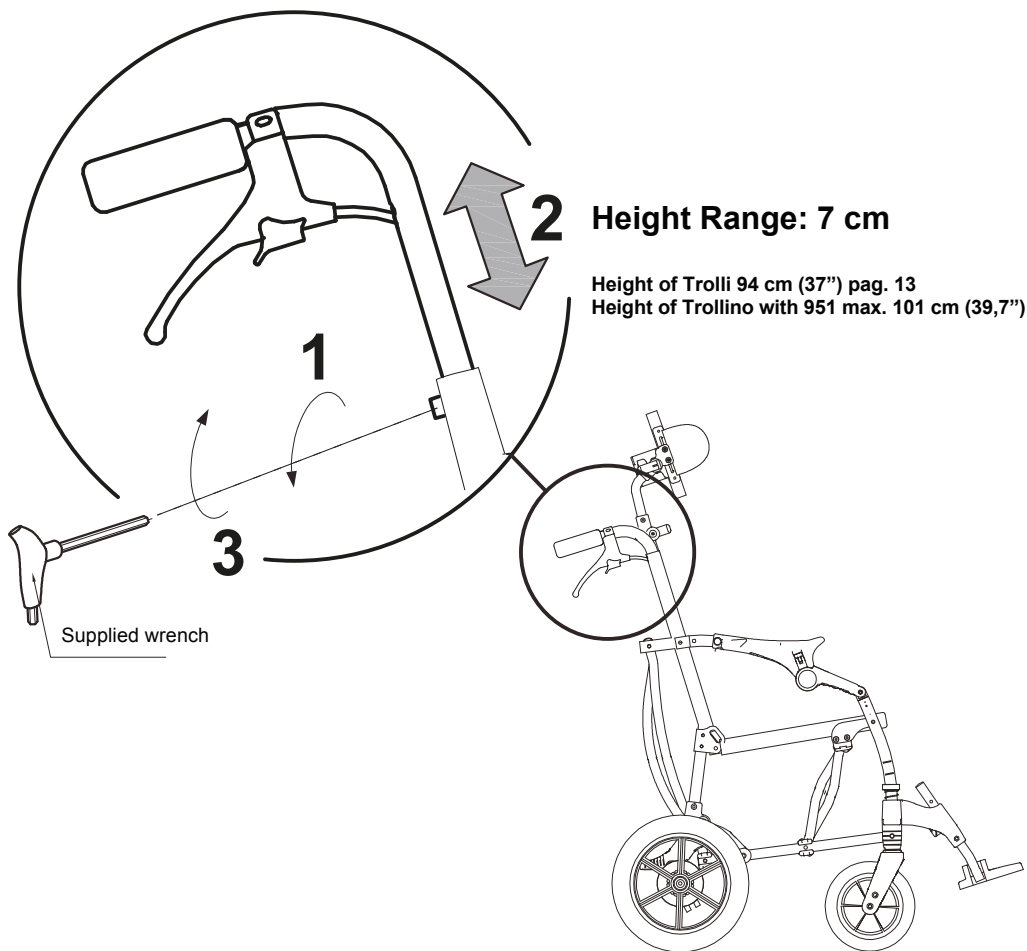


## ADJUSTABLE PUSH HANDLES 951

TO BE ORDERED WITH THE PRODUCT

### HEIGHT ADJUSTMENT

- 1) LOOSEN THE SCREWS
- 2) POSITION BOTH HANDLES AT THE DESIRED HEIGHT
- 3) TIGHTEN THE SCREWS



## **PADDED SIDE PROTECTION COVERS 844**

**Closable with zip around the frame and can be attached on the backrest with buttons**



# CLEANING, DISINFECTION, SANITIZATION

## INFORMATION

**SANIFICATION** is the complex of cleaning and / or disinfection procedures and operations

The **CLEANING** is a physical and mechanical process (i.e., rubbing) with which a large part of potential pathogenic microorganisms (bacteria, fungus, or virus), further to the visible dirt, is removed from the surface.

The combination of mechanical action with other factors such as the use of detergents (chemical action), temperature and duration can efficiently and sufficiently reduce the microbial load of the product.

**DISINFECTION**, after cleaning and cleansing, further reduces the number of microorganisms on a surface and it eliminates pathogenic microorganisms, ie bacteria causing disease and viruses.

Products that on the label bear the authorization / registration Number of the Ministry of Health or other competent authority of an EU member State. are "disinfectants". Each disinfection action must always be preceded by a cleaning and cleansing operation, since dirt reduces the activity of the disinfectant. **DRYING** is essential because microbial growth can occur in the residual aqueous film.

**CHEMICAL PRODUCTS WITH VIRUCIDAL-GERMICIDAL-FUNGICIDAL EFFICACY** are available on the market for hospital equipment. These products are effective in cold conditions, able to perform cleaning (elimination of dirt) and disinfection (elimination of pathogenic microorganisms, i.e. bacteria causing disease) in a single operation. and viruses).

Removable **UPHOLSTERIES** of additional components are washable respecting the symbols on the label. Washing is an extraordinary sanitation measure Replace them when worn / difficult to sanitize.

The **SUPPORTING UPHOLSTERY is not removable and it can be washed following the instructions in Section 4.1**

- Avoid prolonged contact with acidic or basic solvents and detergents;
- Do not use washing processes or abrasive products that may damage the product;

## WARNINGS

**Read the TECHNICAL SHEET of the chemical product** to verify that **it is suited** to be used on chrome plated/varnished surfaces and on plastic components in PVC, PA, PP and to test on a small surface to ensure that it does not damage the medical device.

For an effective operation, it is important to **RESPECT THE POSOLOGY and TIMES OFACTION** indicated on the product **LABEL**.

**Use the PPE** (gloves, FFP mask, visor, etc...) required on the product **LABELP**








**The operations of sanitization must be performed without the user inside the device. Do not use compressed air**, which can cause aerosol and contamination of possible virus and bacteria in the environment and on his own person.



During the Covid-19 epidemic, the contaminated PPE (gloves, gowns, glasses, masks, caps, etc...) must be **thrown away in the general waste bin**, unless otherwise indications by the belonging municipality



## PROCEDURE

Activities	Cadence	Description
<p><b>4.1 CLEANING and CLEANSING</b></p>	<p><b>daily or weekly</b> based on intensity of use and biological risk (patient with particular sweating, salivation; pandemic or endemic emergency period eg Covid-19)</p> <p><b>Before disinfection</b></p>	<p>Soak a sponge or a clean disposable cloth (colorless and non-abrasive) with neutral detergent previously diluted in warm water (max. 40°). It is advisable to let the detergent act for a few minutes. Rub upholstery, frame, additional components and finally wheels. If necessary rub the surface with brushes having only soft bristles. Remove any traces of product by wiping with a clean damp sponge or cloth. Dry with a clean soft cloth. Proceed with any disinfection</p>
<p><b>4.2 DISINFECTION</b></p>	<p><b>Before Re-using the product with a new user</b></p>	<p>Spray a virucidal / germicidal / fungicidal chemical product for hospital equipment that is effective cold on a clean disposable cloth. Rub the upholstery, the frame and the clean accessories (4.2) finally the wheels, until complete evaporation.</p>
<p><b>4.3 WASHING</b></p>	<p><b>Based on use</b></p>	<p>Respecting the following indications and the washing labels to wash the removable <b>UPHOLSTERY of the additional components</b></p> <p> Machine wash with neutral soap temperature. 40°. Delicate cycle</p> <p> Do not bleach</p> <p> Do not iron</p> <p> Do not tumble dry</p> <p> Dry horizontally. PADDED UPHOLSTERIES require EFFICIENT DRYING IN A VENTILATED or HEATED ENVIRONMENT for a 6-10 hours</p> <p>For an ANTIVIRAL DISINFECTANT action, a SPECIFIC CHEMICAL PRODUCT can be added to the normal washing cycle; washing at a high temperature (60 ° C) is possible as long as occasionally, as the upholstery may wear out.</p>

<p><b>4.4 SANITIZATION WITH PERCARBONATE</b></p>	<p><b>Based on use</b></p>	<p><i>The percarbonate is a natural product of mineral origin that is commercially available; when dissolved in water, it releases active oxygen already at 30 ° with disinfectant, antibiotic and antibacterial action.</i></p> <p><b>For a sanitizing action during the cleaning of the frame and the washing of the harness and removable upholsteries, you can add 1 teaspoon of percarbonate &gt; 30% to the detergent:</b></p> <ul style="list-style-type: none"> <li>- In the washing machine: add 1 teaspoon of percarbonate in the drum together with the detergent.</li> <li>- By hand/ for the frame cleaning: dissolve 1 teaspoon of percarbonate in the bowl together with the detergent, proceed with the washing, and cleansing.</li> </ul> <p><b><u>WARNING!</u></b>  <b><u>When washing / cleaning the fabric it is recommended not to mix sodium percarbonate with acids (for example: Vinegar, Lemon), as it could create chemical reactions that could damage it.</u></b></p>
--	----------------------------	---

# MAINTENANCE

The execution of all maintenance operations is necessary to maintain the correct functionality and safety of the medical device.

## ORDINARY MAINTENANCE (monthly)

Carry out the checks and periodic maintenance operations as indicated below.



Maintenance and replacement of parts or additional components must be carried out without the user sitting in the stroller



Intensify all checks in marine environments, clean more often, anoint the parts exposed to salt corrosion (such as chrome, bolts and screws).

PART	DESCRIPTION/INTERVENTION	MODE
WHEELS	<ul style="list-style-type: none"> <li>▪ Remove any dust and dirt from the wheels to maintain smoothness and braking efficiency.</li> <li>▪ Check that the wheels turn freely.</li> </ul> <p>▪ check that there are no deformations and/or splits. If unsuccessful, contact your dealer or distributor for replacement with an original component.</p>	functional/visual test
BRAKES	<ul style="list-style-type: none"> <li>▪ Check the efficiency of the braking system and the operation of the relative mechanisms as reported in the user manual.</li> </ul> <p>If unsuccessful, contact your dealer or distributor for replacement with an original component.</p>	functional test
BOLTS / SCREWS	<ul style="list-style-type: none"> <li>▪ Check the tightness of the bolts and screws; if loose, tighten them with the supplied wrench</li> </ul>	Visual/ tools
LOCKING OF THE FRAME	<ul style="list-style-type: none"> <li>▪ Open the stroller by pushing both armrests fully down and check for the presence of the “CLOCK signal”.</li> <li>▪ <u>Once the stroller has been opened, push down with one hand on the seat and with the other hand check that each armrest remains locked</u> (i.e. that both CLOSING LEVERS remain in position).</li> </ul> <p>If unsuccessful, discontinue use and contact your dealer or distributor for replacement with an original component.</p>	functional test
BACKREST/SEAT	<ul style="list-style-type: none"> <li>▪ Check for any visible damage or deterioration of the SUPPORTING UPHOLSTERY.</li> </ul> <p>If unsuccessful, discontinue use and contact your dealer or distributor for replacement with an original component.</p>	visual

<b>ADJUSTMENT AND OPENING/CLOSING MECHANISMS</b>	<ul style="list-style-type: none"> <li>▪ check the smooth operation of the <b>MOVING PARTS</b> and keep them clean from dust and dirt in order to avoid friction that could compromise correct functioning.</li> </ul> <p>If unsuccessful, lubricate them with commercial silicone dry oil following the instructions on the container label. After lubrication, fully dry the treated parts using a soft cloth to remove any residual grease</p> <ul style="list-style-type: none"> <li>▪ Check the tightness of the adjustment mechanisms.</li> </ul> <p>If unsuccessful, contact your dealer or distributor for replacement with an original component.</p>	functional/visual test
<b>PRODUCT INTEGRITY</b>	<ul style="list-style-type: none"> <li>▪ Check the presence of all parts and components described in the manual.</li> <li>▪ Check the frame and ensure the absence of oxidised parts as well as the uniformity of the paint work on the support or tightening elements.</li> </ul> <p>If unsuccessful, contact your dealer or distributor for replacement with an original component.</p>	Visual/ tools

## **PREVENTIVE MAINTENANCE (biennial)**

The Manufacturer recommends a **COMPLETE REVIEW** of the product, in order to verify it according to the specific use and to maintain the initial performances for all its lifetime.

This activity can be carried out by the Dealer who supplied the product or by an **SERVICE CENTER**, specialized in the maintenance of mechanical aids for people with disabilities and includes:

- 1) The general verification of the product, the integrity of the components and the locking of the mechanical parts, the smoothness of the moving parts
- 2) Performance verifications
- 3) The possible interventions aimed to restore the correct functionality
- 4) Mechanical control (in case of mechanical repairs)
- 5) Sanitization

The person who performed the maintenance is required to issue **A REPORT WITH THE EVIDENCE OF THE INTERVENTIONS (VERIFICATIONS, REPAIRS, CONTROLS, SANITIZATIONS)**

## **EXTRAORDINARY MAINTENANCE (or corrective)**

**EXTRAORDINARY MAINTENANCE** are all operations done on the product other than regular or preventive maintenance (mentioned above).

Extraordinary maintenance must be carried out by the Dealer who supplied the product or by another subject indicated by the Manufacturer or the Distributor of the ORMESA products in the country of destination.

The interventions must be performed with **ORIGINAL REPLACEMENTS PARTS** of the manufacturer

Modifications of the product **ARE NOT ALLOWED**, except for those of possible configurations provided on the brochure

For each maintenance work, the following must be performed:

1. The general verification of the product, the integrity of the components and the locking of the mechanical parts, the smoothness of the moving parts
2. Performance verifications
3. Mechanical control (in case of mechanical repairs)
4. Sanitization

**THE MANUFACTURER or the AUTHORIZED PARTY must issue A REPORT WITH EVIDENCE OF THE INTERVENTIONS (CHECKS, REPAIRS, TESTS, SANITATION) CARRIED OUT.**

---

## **DISPOSAL**



Comply with current local rules and do not dispose of old products in normal household waste but separately at appropriate collection points.

The correct disposal of the product helps to avoid possible negative consequences for the health of the environment and human being. A benefit to the environment for the benefit of the entire community.

---

## **ASSISTANCE AND SPARE PARTS**

For service and replacement parts, only contact the retailer where you purchased the product.

## **CONDITIONS FOR DURABILITY, REUSE AND REASSIGNMENT TO A NEW USER**

**Granted that Ormesa products should be selected, evaluated and ordered for the needs of an individual user, reuse is however possible with the respect of the following conditions.**

Based on the experience of other similar sold models, on technological progress, on the guarantees of the Quality Management System certificated in 1998 according to ISO 13485, there is adequate confidence that **the average lifespan of TROLLI is about 5 years, on condition that it is used according to the directions given in the user manual.**

Only when the conditions for storage and transport of chapter **HOW TO STORE AND TRANSPORT THE MEDICAL DEVICE**” are followed, the periods in which the product is stored at the dealer should not be considered in that time period

**Factors unrelated to the product such as the development of the user, its diseases, the use and the surrounding environment can make significantly lower the duration of life of the product; on the contrary, if the indications on the use and maintenance are properly observed, the reliability of the product can extend well beyond the lifetime average above.**

**Prior to recycling or reassignment an already used Ormesa product, it is required that:**

- 1. a doctor or therapist verifies that the aid is appropriate and adequate to meet the dimensional, functional and postural needs of the new user, and if all its components are suitable / appropriate for him. You should also consider that the CE-marking and the manufacturer's responsibility for safety requirements for the product remain only if the original product still has not changed and only original accessories or spare parts have been applied**
- 2. qualified technical personnel of a company specialized in the maintenance of technical aids for disabled people performs a detailed technical inspection to verify its condition and wear, the absence of any damage and failure of all components / adjustments, the presence of the user's manual, of the label with the date and serial number. A copy of the manual and maintenance may be always requested to the retailer that supplied the product or directly to Ormesa**
- 3. The product has been thoroughly cleaned and disinfected following the directions given in the “MAINTENANCE, CLEANING AND DISINFECTION” Chapter**

We recommend keeping written records on all inspections performed on the product before any assignment to the new user.



**In case of doubt about the safety of the product or damage to parts or components, you are urged to immediately discontinue use and contact the Dealer who supplied you with the product; the Distributor or the Manufacturer are at your disposal for any further doubt or assistance.**