

3-Section Hi-Lo Table Electric

CAUTION: THE MOBILE OPTION IS ONLY FOR MOVING THE UNWEIGHTED TABLE SHORT DISTANCES ON A SMOOTH FLOOR. AVOID UNEVEN SURFACES SUCH AS TRANSITIONS BETWEEN ROOMS AND ELEVATORS.

How to Care for your Table

Here are some steps to protect the table's upholstery and ensure a long life for the product.

- Unplug the power cord before cleaning the motor or frame.
- Clean the table's upholstery with a mild detergent. A common practice is to use a spray bottle filled with a mixture of anti-bacterial dish soap and water on the upholstery, followed by a wipe down with a clean, soft towel. Rubbing alcohol will dry out the upholstery and cause it to crack.
- Clean metal surfaces and hand controls with a damp cloth and mild detergent.
- Make sure that all surfaces are dry before connecting to power and using the table.
- Protect the table from general abrasions, cuts and punctures.
- Do not store the table in extremely cold temperatures - excessive cold will cause the upholstery to crack. Keeping the table in an unheated area during the winter is not recommended.
- Do not store the table in extremely warm temperatures since excessive heat will cause the upholstery to stretch and pucker.
- Do not place the table in direct sunlight. This will prematurely fade and dry out the upholstery and will void the upholstery warranty.

Maintenance

- Unplug the power cord before maintenance.
- If you find any defects, stop using the equipment.
- Check the power control, its wiring and functions once a week.
- Should any problems occur with this unit, please contact North Coast Medical, Inc. Customer Service

Part #	Description
NC94710-01	Caster, 3"
NC94710-02	Foot Section Slide Bar
NC94710-03	Head Section Slide Bar
NC94710-04	Slide Bar Holder
NC94710-05	Slide Bar Holder Spring
NC94710-06	Control Box
NC94710-07	Hand Controller
NC94710-08	Motor
NC94710-SEC1	Head Section, Polyurethane upholstery, with face plug
NC94710-SEC2	Center Section, Polyurethane upholstery
NC94710-SEC3	Leg Section, Polyurethane upholstery

Troubleshooting

Problem	Solution
Hand controller doesn't work	Make sure the hand controller plug is fully plugged into the control box socket below the table.
Electric motor doesn't work	Make sure the electric motor power plug is fully plugged into the control box below the table. Also check that the cord is fully plugged into the wall socket.
Table is unstable or wobbly while casters are raised	Not all floors are even. Use the Adjustable Foot Pad (included) to adjust one foot and stabilize the table.

Warranty

Table comes with a lifetime warranty on steel structures and welds, and a three-year warranty on the motor, movable parts, hardware, and accessories. Table upholstery has a three-year warranty for manufacturer-related defects but does not cover damage from improper cleaning, cuts, abrasions, scratches, or normal wear and tear. All warranties exclude damage caused to the table by improper set-up, accident, abuse, or use other than the table's intended purpose.

No registration is necessary. An original sales receipt, order number, or other proof of purchase is required in order to redeem the warranty.

3-Section Hi-Lo Table Electric

Instruction Manual



Intended Use: Adjustable articulated table for lifting / lowering and positioning person(s) of various sizes.



Specifications:

- 30" (76 cm) Wide; 76" (193 cm) Length
- Height range 19" to 37" (48 cm to 94 cm)
- Lifting capacity 550 lbs / 250 kgs
- Static Weight capacity 850 lbs / 385 kgs
- Head Section angle ranges from -90° to 45°
- Lower Extremity ranges from 0° to 80°
- 110 volt, 50-60Hz motor



NC94710

3-Section Hi-Lo Table, Electric

Warnings

- Improperly setup, operated or poorly maintained equipment may cause injury.
- Equipment is not intended for use by children.
- Do not use equipment if there are signs of damage.
- Use caution when limbs/fingers are near moving parts as injury may occur.
- Do not stand or jump on table as injury may occur.
- Do not use as a step ladder as injury may occur.
- Use caution when weight is unevenly distributed as table may tip over and result in injury.
- Do not use on a sloped surface as it may cause table to tip over and result in injury.
- Use caution when weight is near lift capacity (550 lbs/ 250 kgs) or static weight capacity (850 lbs/ 385 kgs)
- Before raising or lowering the bed, please check whether there are obstacles above and under the bed.
- Use caution when table is at maximum extended height.

Complies with U.S. CPSC requirements for upholstered furniture flammability. Complies with Technical Bulletin (TB) 117-2013, "Requirements, Test Procedure and Apparatus for Testing the Smolder Resistance of Materials Used in Upholstered Furniture."

Safety Instructions

Read the following very carefully and ensure that all staff members who operate the table are fully briefed on safety compliance.

- Use both hands to adjust the angle of any section of the table.
- Foot or head sections should only be adjusted while unweighted.
- Check that the table is leveled before use.
- Do not put excessive weight or pressure on the head or foot section. Follow guidelines for load capacity on each section.
- Unplug the power cord before moving the 3-Section Table.

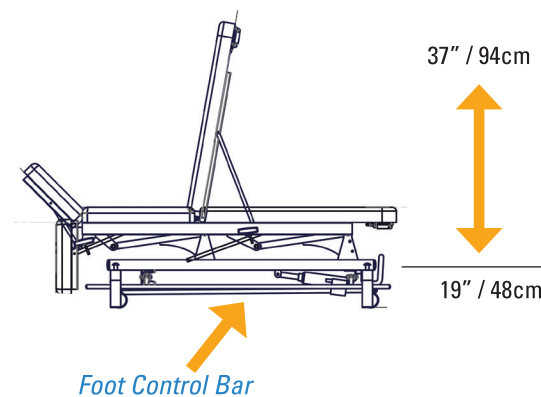
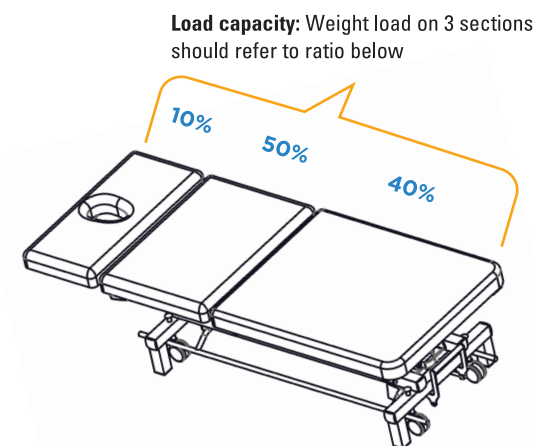
Instructions For Use

Connecting to Power:

- The Power Cord and Hand Control should already be connected to the control box. Locate the power cord with plug and connect to the appropriate outlet.

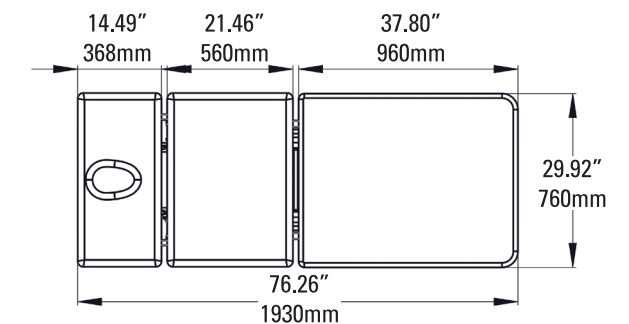
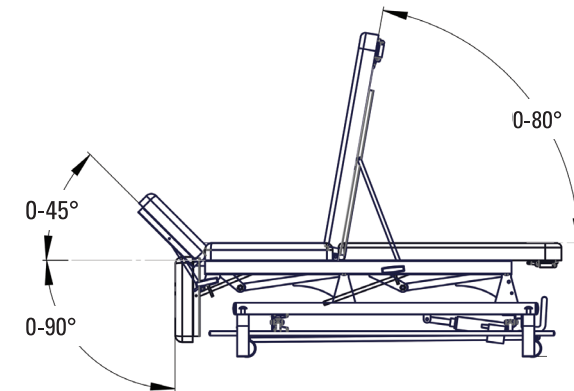
Raising and Lowering the Table:

- Use the Hand Control or the Foot Control Bars to raise and lower the table.
- Foot Control Bar operation:
 - Step down on the foot bar to raise the table.
 - Lift the foot bar with toes to lower the table.
- Keep area beneath the table and cushions clear to avoid injury or damage to table.



Adjusting the Head and Foot Section

- To raise, adjust the angle of unweighted head or foot sections by pulling up on either end of the section you intend to raise.
- To lower, hold the unweighted end of the section in one hand while turning the release handle in the direction indicated by the arrow. Gently lower to the desired height.



Moving the Table

The table is equipped with a one-step caster control bar to engage/disengage all casters at once.

- **To move table:** place your foot on the positioning lever and press *downward* to set the wheels onto the floor. The table can now be moved.
- **To lower table to floor:** lift the caster control bar up with your foot to retract the wheels. The table is now stationary resting on its feet.



Using the Paper Dispenser

Unclip the paper dispenser bar and insert paper roll onto it. Unclip smaller C-bar and swing out then back under the end of the paper dispenser bar to provide support.



Using the Optional Paper Cutter

The paper cutter can be fastened with the clear plastic strip across the top of the head section (as shown) and may be moved to the outside of the face hole plug if necessary. Place table paper under the cutter and adjust tension so paper tears in a straight line when lifted. Keep the paper cutter strap loose enough so that paper can slide under the cutter strap when pulling fresh paper onto the table.

