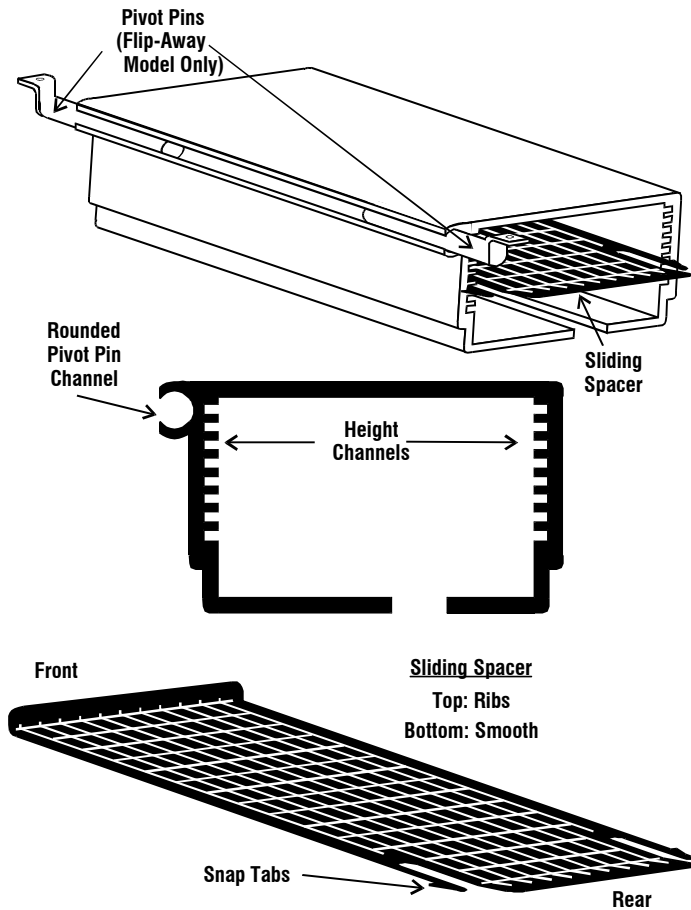


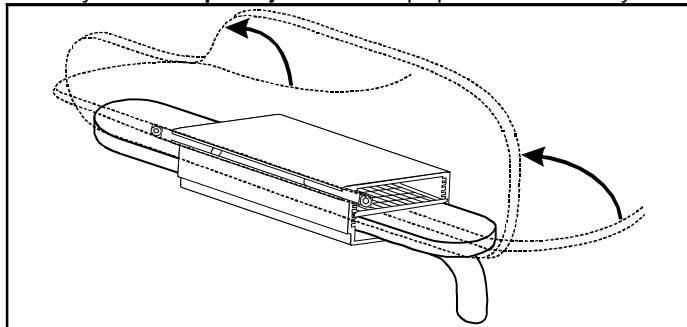
# ADJUSTABLE HEIGHT HALF & 3/4 TRAYS

Adjustable Height Flip-Away Model  
Adjustable Height Fixed Model  
Replacement Sliding Spacer (30301)

## PARTS DESCRIPTION



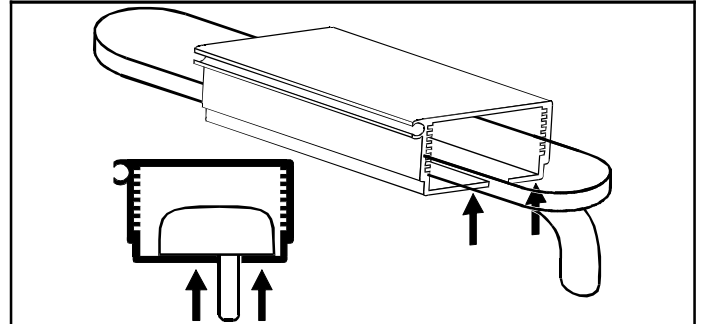
A tray with the **Flip-Away Model** will flip up and out of the way.



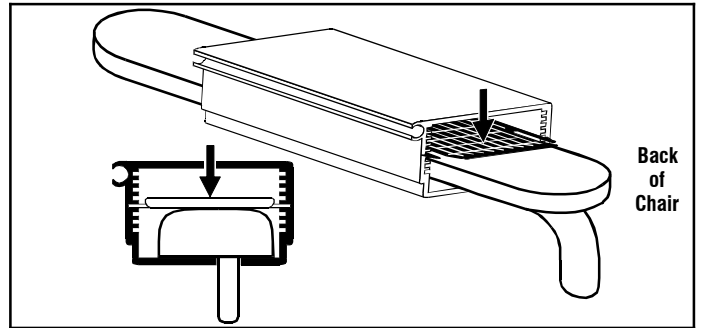
9450 W Laraway Rd • Frankfort, IL 60423  
Customer 800-843-7234 • Fax 888-479-1515  
www.Therafin.com • info@Therafin.com

## ADJUSTING BRACKET HEIGHT TO FIT ARMPAD THICKNESS

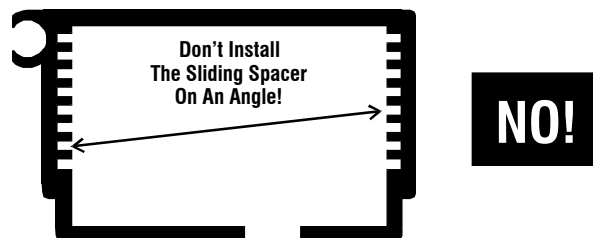
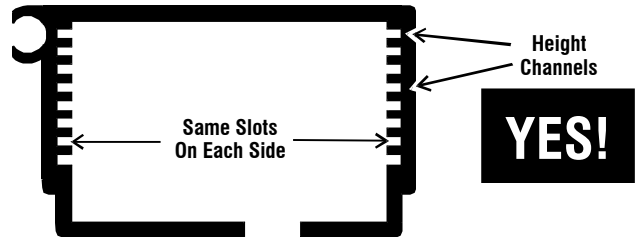
- Slide tray with bracket over armrest, making sure **Rounded Pivot Pin Channel** is on the **OUTSIDE** of the armrest.
- Push the bracket up, so the bottom of the bracket touches the under-side of the armrest.



- To insert the **Sliding Spacer** into the appropriate **Height Channel**, put the **Snap Tabs** in a channel, then push the **Sliding Spacer** completely into the bracket so that the tabs go completely through the bracket and snap into place. This allows the **Sliding Spacer** to be locked in place. **NOTE:** To choose the correct **Height Channel**, choose the channel that will allow the bracket to snugly fit on the armrest pad. The bracket must fit snugly on the armrest to provide a stable mounting foundation.

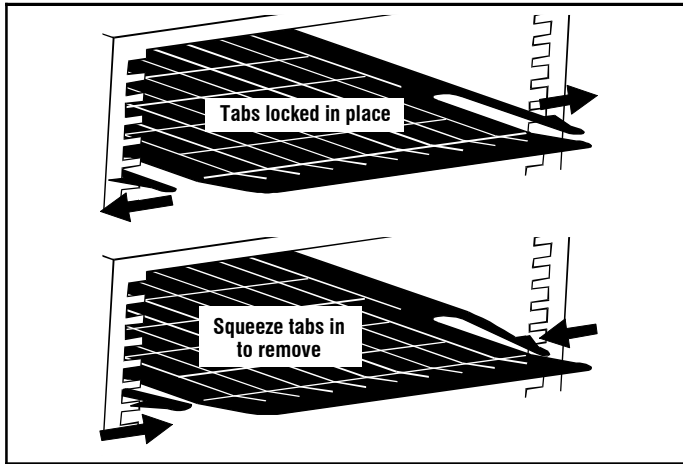


- The **Snap Tabs** on either side of the **Sliding Spacer** **MUST BE INSTALLED INTO THE SAME SLOT ON EACH SIDE OF THE BRACKET.**



YouTube Watch Instructional Video for this product at <http://www.youtube.com/TherafinCorporation>

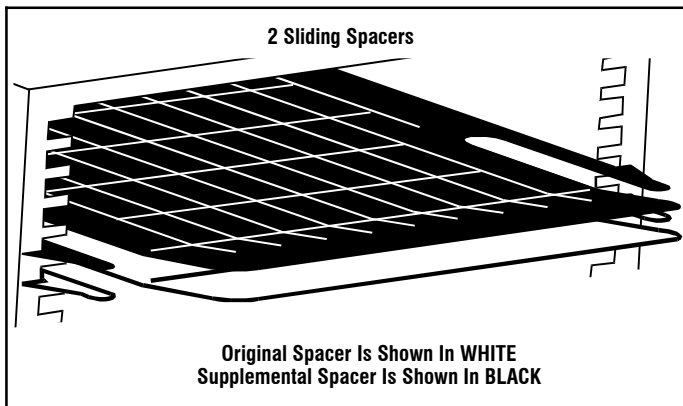
5. To remove the **Sliding Spacer**, gently squeeze both **Snap Tabs** in, and push the Sliding Spacer back through the bracket.



## USING TWO SLIDING SPACERS

1. Two **Sliding Spacers** may be used together to provide maximum support in cases of extra weight or extreme pressure exerted on the half tray and bracket.
2. Adjust the bracket height to fit armpad thickness as shown on the reverse of this page. Clearly mark the slot you have chosen, so you don't change the snug fit on the armrest pad. Remove the **ORIGINAL Sliding Spacer**.
3. Install the **SUPPLEMENTAL Sliding Spacer** in the **Height Channel DIRECTLY ABOVE** (toward the tray) the slots you have marked.
4. Reinstall the **ORIGINAL Sliding Spacer** in the **Height Channel** you have marked.

**NOTE:** If the correct **Height Channel** to fit your armpad is the **VERY TOP SLOT**, you will not need to use two **Sliding Spacers**, as the bracket itself will provide the extra support needed.



**You Tube** Watch Instructional Video for this product at <http://www.youtube.com/TherafinCorporation>

**If your tray is transparent polycarbonate, please read the following:**

## Polycarbonate (Clear) Product Cleaning Guidelines

Polycarbonate is virtually unbreakable when it is delivered. You can compromise the physical properties if certain chemicals (see below) have the ability to permeate the structure of the plastic. For this reason, note the guidelines below for cleaning your polycarbonate product:

- ◆ **DO** rinse the product with warm water prior to cleaning
- ◆ **DON'T** use abrasives or high alkaline cleaners
- ◆ **DON'T** leave chemicals on product for long periods, wash immediately
- ◆ **DON'T** apply cleaners in direct sunlight or at elevated temperatures
- ◆ **DON'T** use scrapers, squeegees or razors
- ◆ **DON'T** clean with gasoline
- ◆ **DO** follow the application with a lukewarm water rinse
- ◆ **DO** dry with a clean soft cloth

### Recommended Compatible Cleaners and Detergents:

- ◆ Formula 409<sup>1</sup> ◆ Windex with Ammonia D<sup>3</sup>
- ◆ Joy<sup>2</sup> ◆ Palmolive<sup>4</sup>

### Polycarbonate is **NOT** resistant to:

- ◆ Acetaldehyde, Acetic acid (conc.), Acetone, Acrylonitrile, Ammonia, Ammonium fluoride, Ammonium hydroxide, Ammonium sulfide
- ◆ Benzene, Benzoic acid, Benzyl alcohol, Brake fluid, Bromobenzene, Butylic acid
- ◆ Carbon tetrachloride, Carbon disulfide, Carbolic acid, Caustic potash solution (5%), Caustic soda solution (5%), Chloroethene, Chlorobenzene, Cutting oils, Cyclo hexanone, Cyclohexene
- ◆ Dimethyl formamide
- ◆ Ethane tetrachloride, Ethylamine, Ethyl ether, Ethylene chlorohydrin
- ◆ Formic acid (conc.), Freon (refrigerant & propellant)
- ◆ Gasoline ◆ Lacquer thinner ◆ Methyl alcohol
- ◆ Nitrobenzene, Nitrocellulose lacquer ◆ Ozone
- ◆ Phenol, Phosphorous hydroxy chloride, Phosphorus trichloride, Propionic acid ◆ Sodium sulfide, Sodium hydroxide, Sodium nitrate
- ◆ Tetrahydronaphthalene, Thiophene, Toluene, Turpentine ◆ Xylene

### Polycarbonate is **DISSOLVED** by:

- ◆ Chloroform, Cresol, Dioxane, Ethylene dichloride, Methylene chloride, Pyridine

**When cleaning this Polycarbonate product, a water and soap solution should be applied with a clean soft cloth. Dry with a clean soft cloth.**

- ◆ Do not use Lock Tite on this Polycarbonate product

® Registered Trademarks of Clorox<sup>1</sup>, Proctor & Gamble<sup>2</sup>, Drackett Products<sup>3</sup>, Colgate Palmolive<sup>4</sup>