

ISO VIEW
SCALE 1:20

REVISION: C

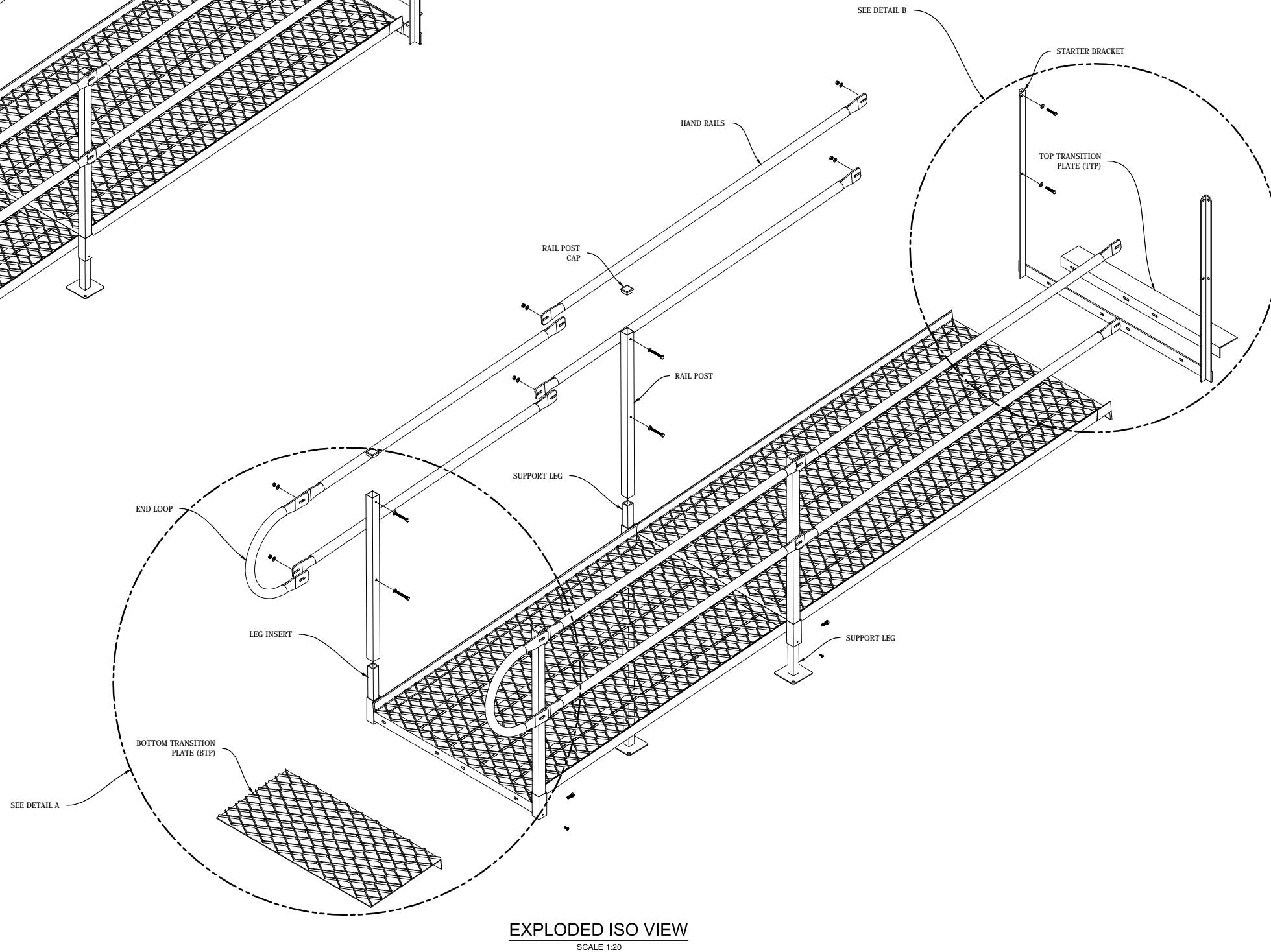
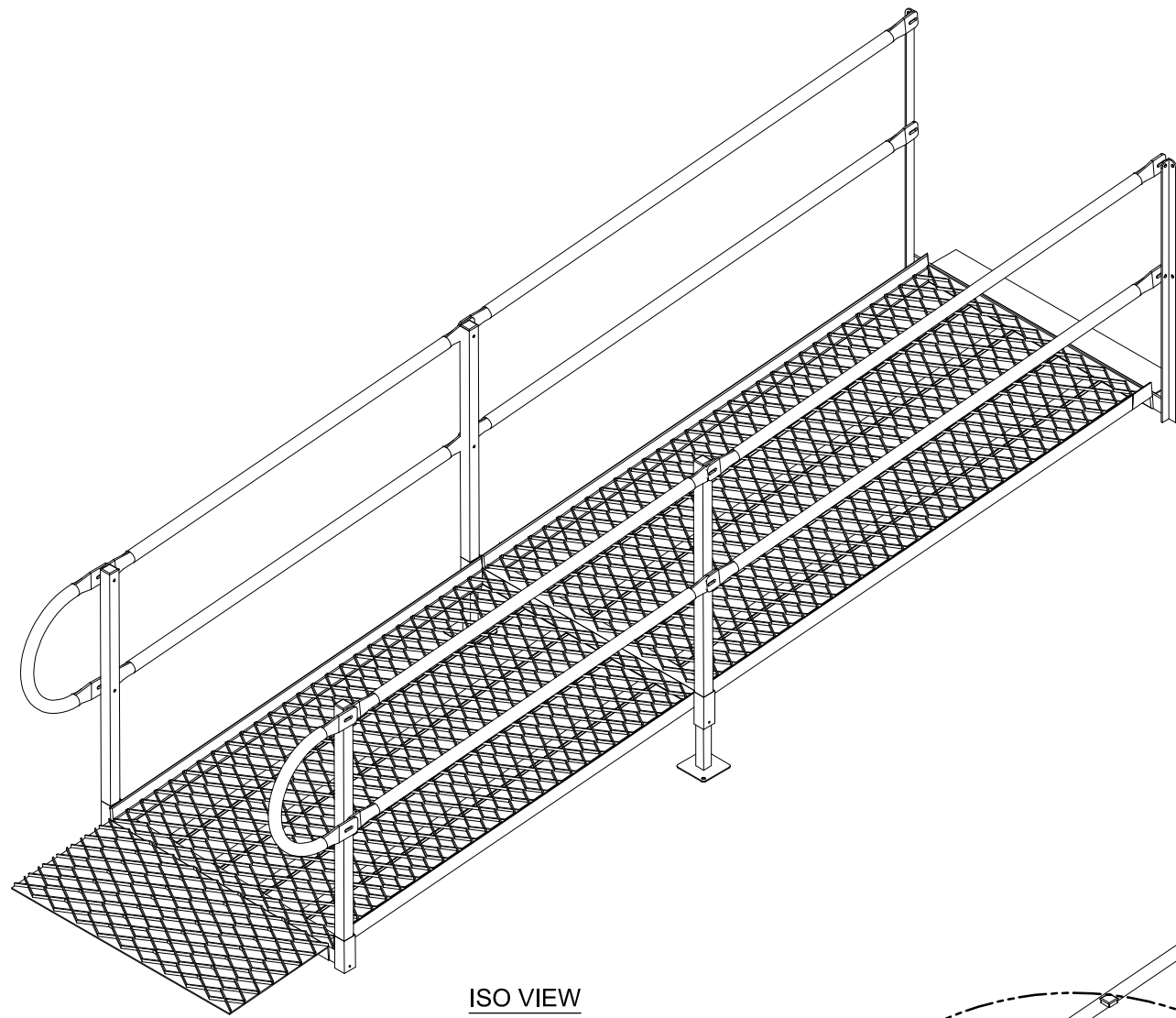
STRAIGHT RAMP

ISSUE HISTORY:		
NO.	DATE	DESCRIPTION
1	11/8/2012	RAMP AND DETAILS

SHEET TITLE:
RAMP

DESIGNED BY: CENTENNIAL CAD
 DRAWN BY: WSM
 PAPER SIZE: B - 11 X 17
 SCALE: AS NOTED

SHEET NUMBER:



nationalRAMP
Your connection to freedom...

REVISION: C

STRAIGHT RAMP

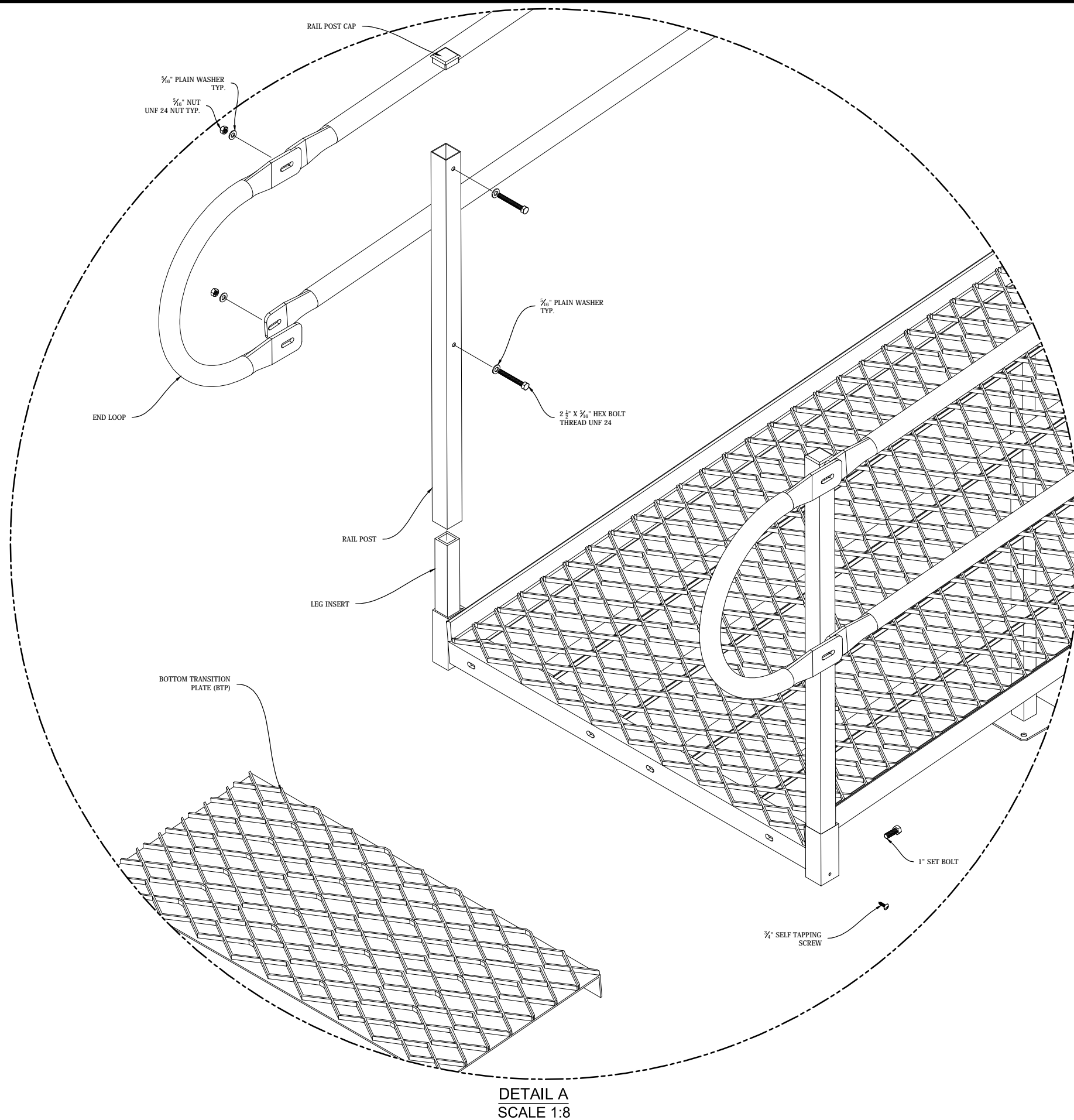
ISSUE HISTORY:

NO.	DATE	DESCRIPTION
1	11/8/2012	RAMP AND DETAILS

SHEET TITLE:
RAMP

DESIGNED BY: CENTENNIAL CAD
 DRAWN BY: WSM
 PAPER SIZE: B - 11 X 17
 SCALE: AS NOTED

SHEET NUMBER:
1 OF 9



DETAIL A
SCALE 1:8



REVISION: C

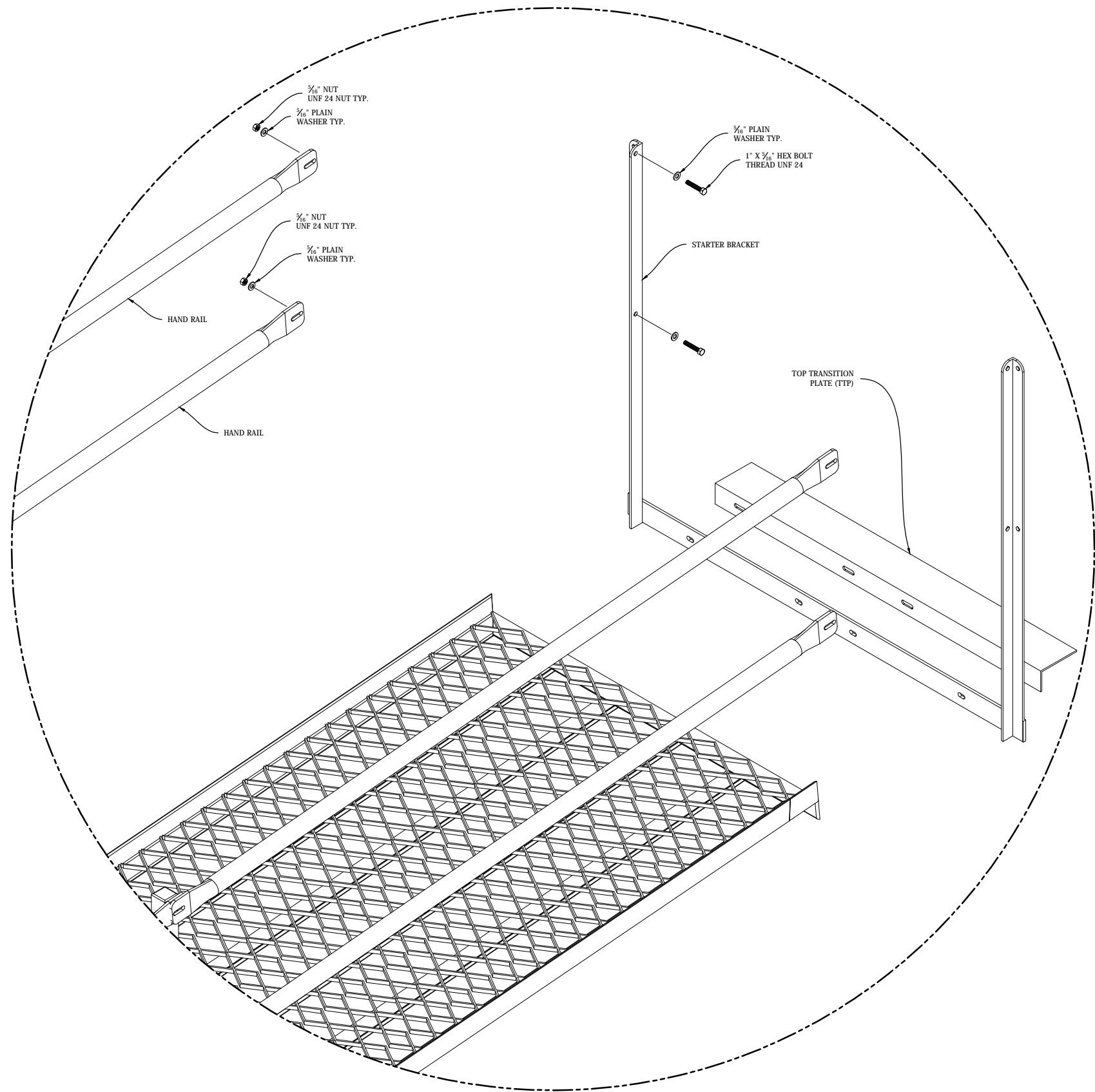
STRAIGHT RAMP

ISSUE HISTORY:		
NO.	DATE	DESCRIPTION
1	11/8/2012	RAMP AND DETAILS

SHEET TITLE:
RAMP

DESIGNED BY: CENTENNIAL CAD
 DRAWN BY: WSM
 PAPER SIZE: B - 11 X 17
 SCALE: AS NOTED

SHEET NUMBER:
2 OF 9



DETAIL B
SCALE N.T.S.



REVISION: C

STRAIGHT RAMP

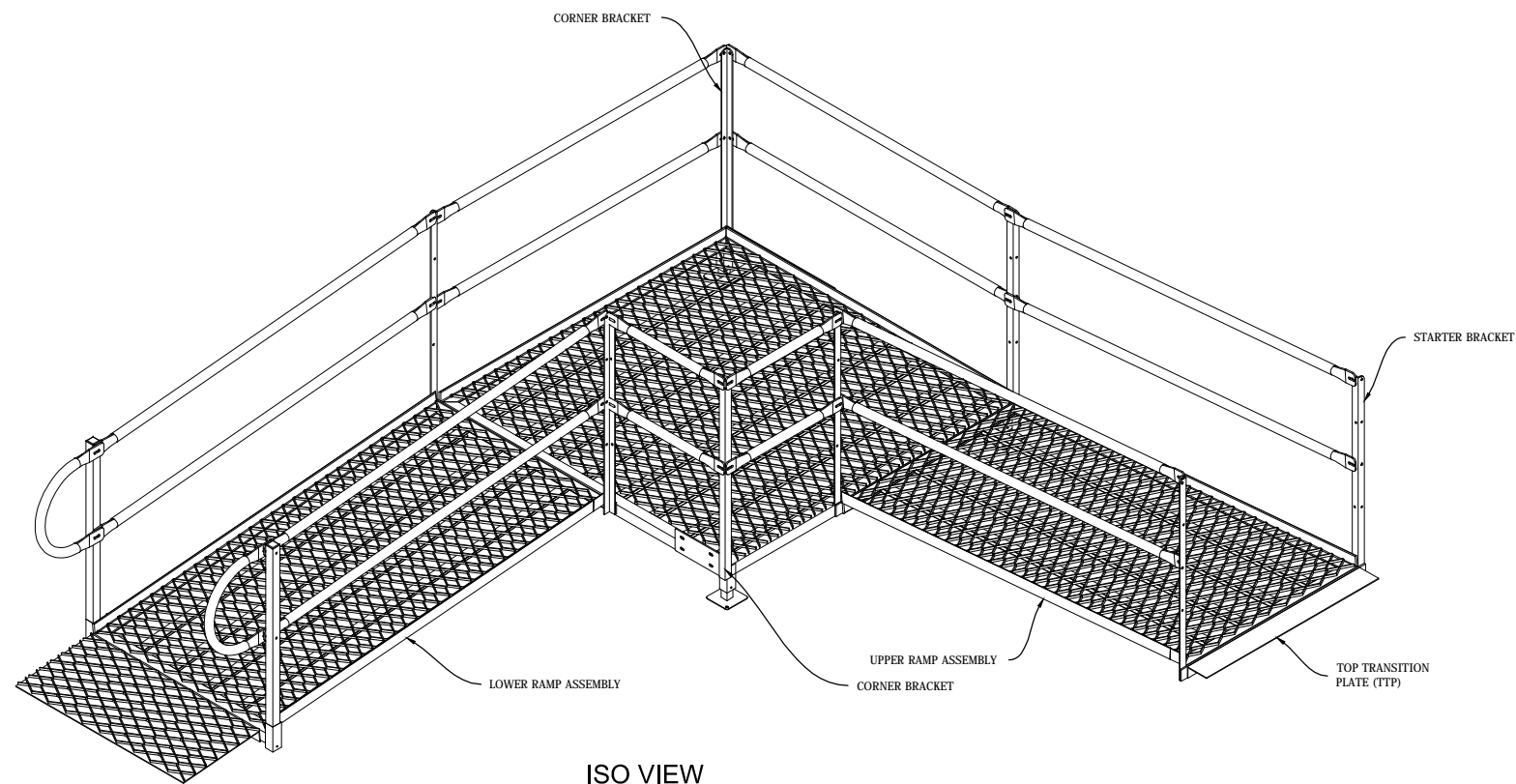
ISSUE HISTORY:

NO.	DATE	DESCRIPTION
1	11/8/2012	RAMP AND DETAILS

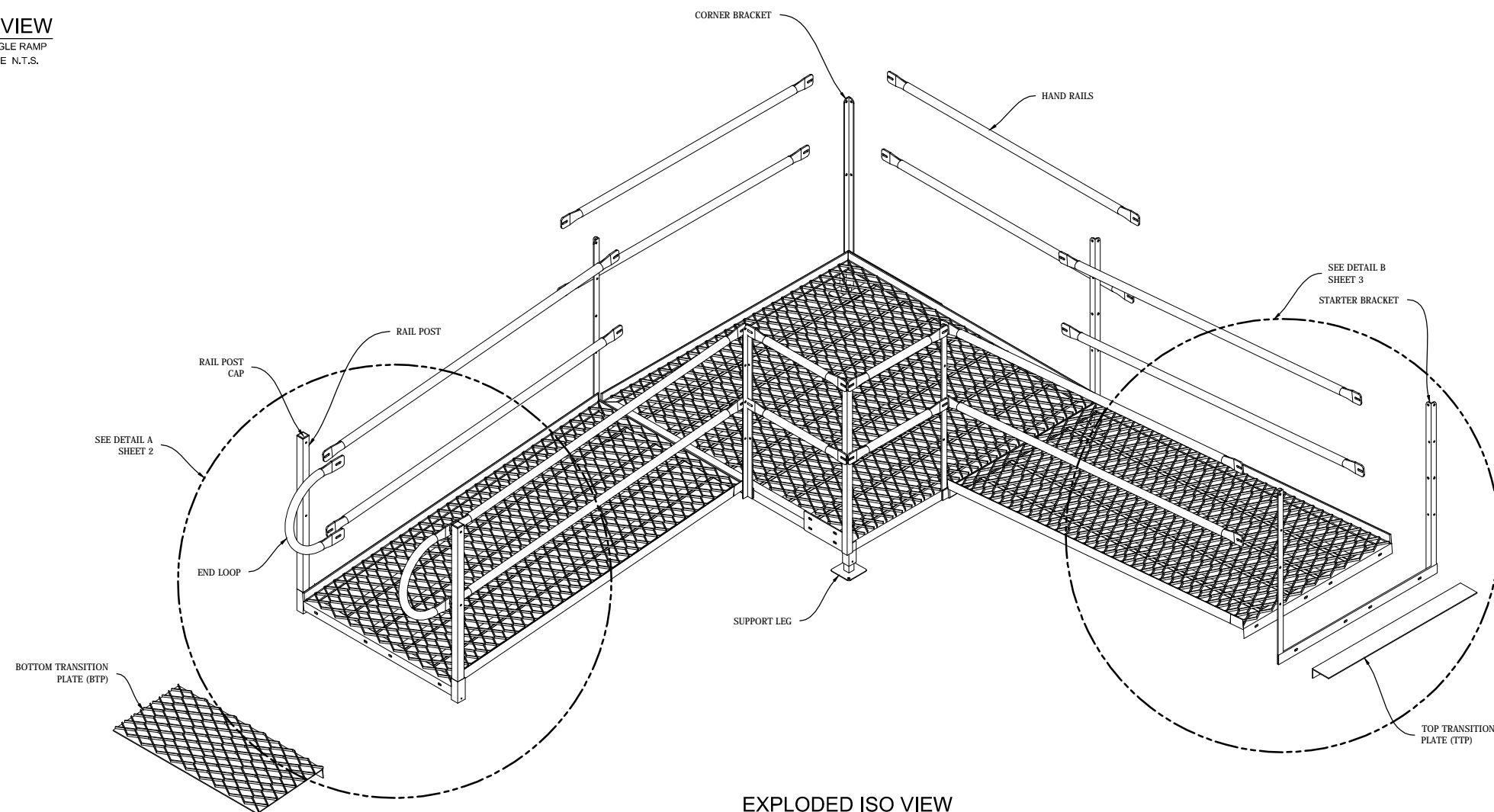
SHEET TITLE:
RAMP

DESIGNED BY: CENTENNIAL CAD
 DRAWN BY: WSM
 PAPER SIZE: B - 11 X 17
 SCALE: AS NOTED

SHEET NUMBER:



ISO VIEW
90° ANGLE RAMP
SCALE N.T.S.



EXPLODED ISO VIEW
90° ANGLE RAMP
SCALE N.T.S.

REVISION: C

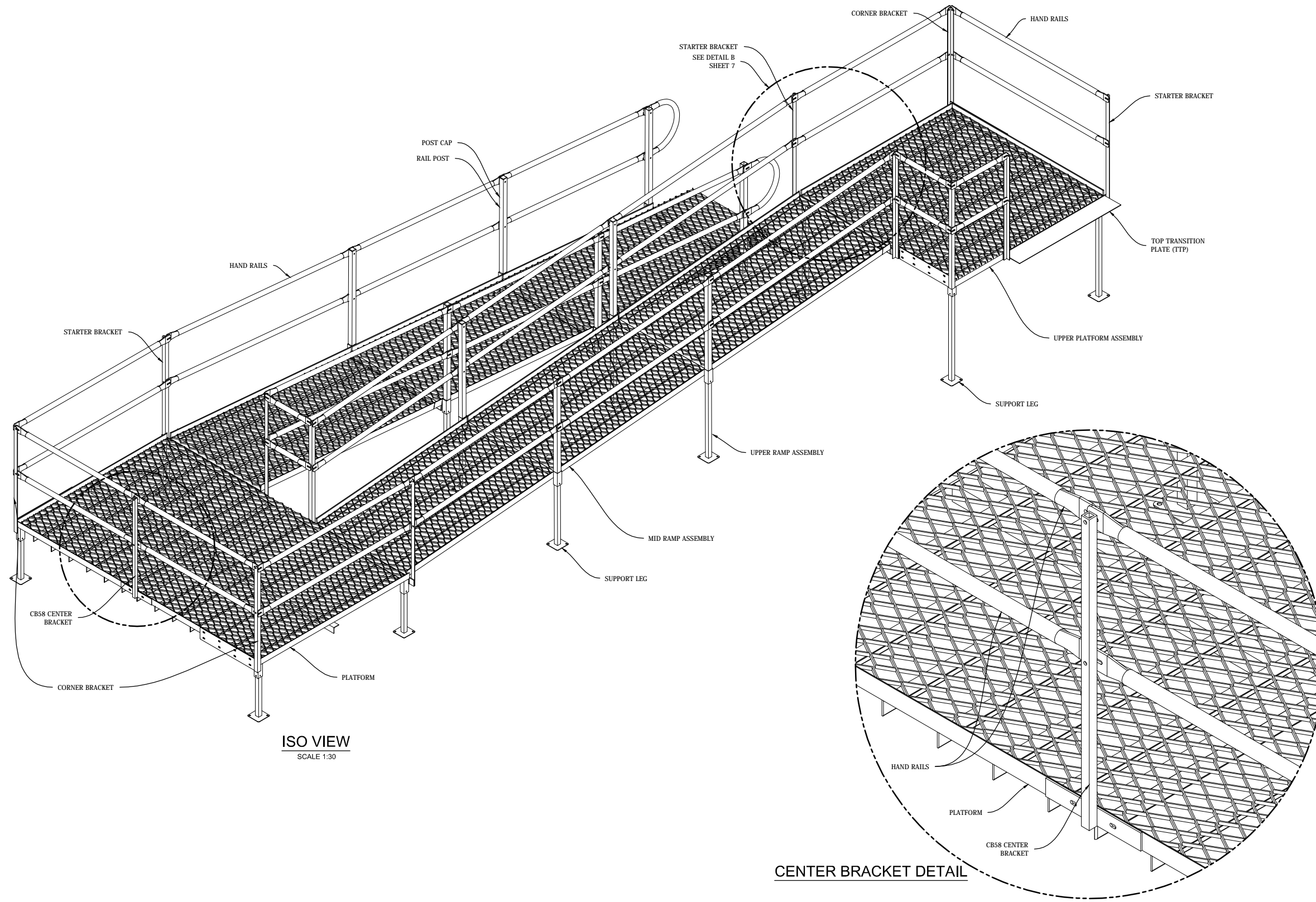
90 DEGREE RAMP ASSEMBLY

ISSUE HISTORY:		
NO.	DATE	DESCRIPTION
1	11/8/2012	RAMP AND DETAILS

SHEET TITLE:
RAMP

DESIGNED BY: CENTENNIAL CAD
DRAWN BY: WSM
PAPER SIZE: B - 11 X 17
SCALE: AS NOTED

SHEET NUMBER:
4 OF 9



ISO VIEW
SCALE 1:30

CENTER BRACKET DETAIL



REVISION: C

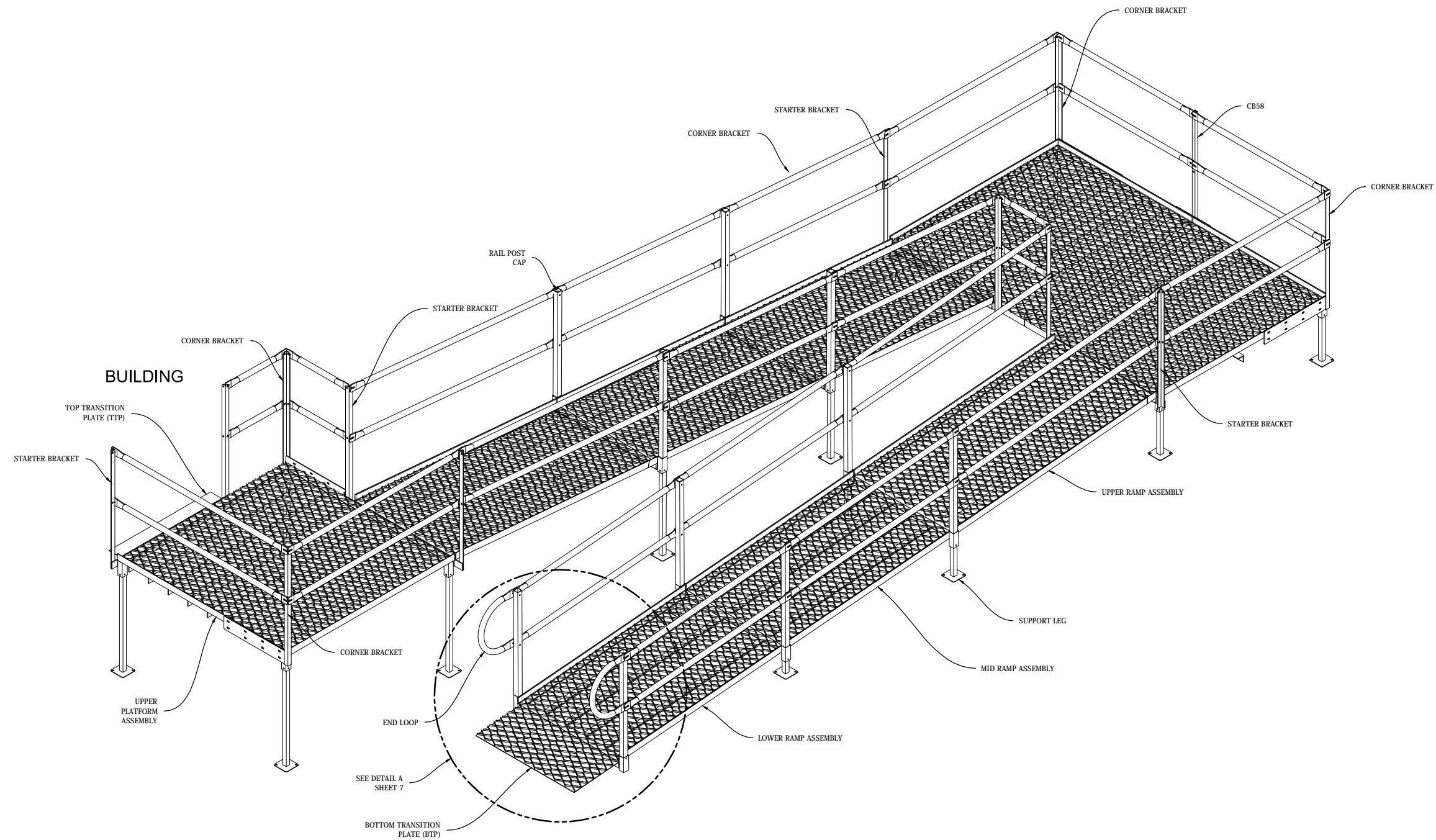
SWITCHBACK RAMP

ISSUE HISTORY:		
NO.	DATE	DESCRIPTION
1	11/8/2012	RAMP AND DETAILS

SHEET TITLE:
RAMP

DESIGNED BY: CENTENNIAL CAD
 DRAWN BY: WSM
 PAPER SIZE: B - 11 X 17
 SCALE: AS NOTED

SHEET NUMBER:



ISO VIEW
 SCALE 1:30

REVISION: C

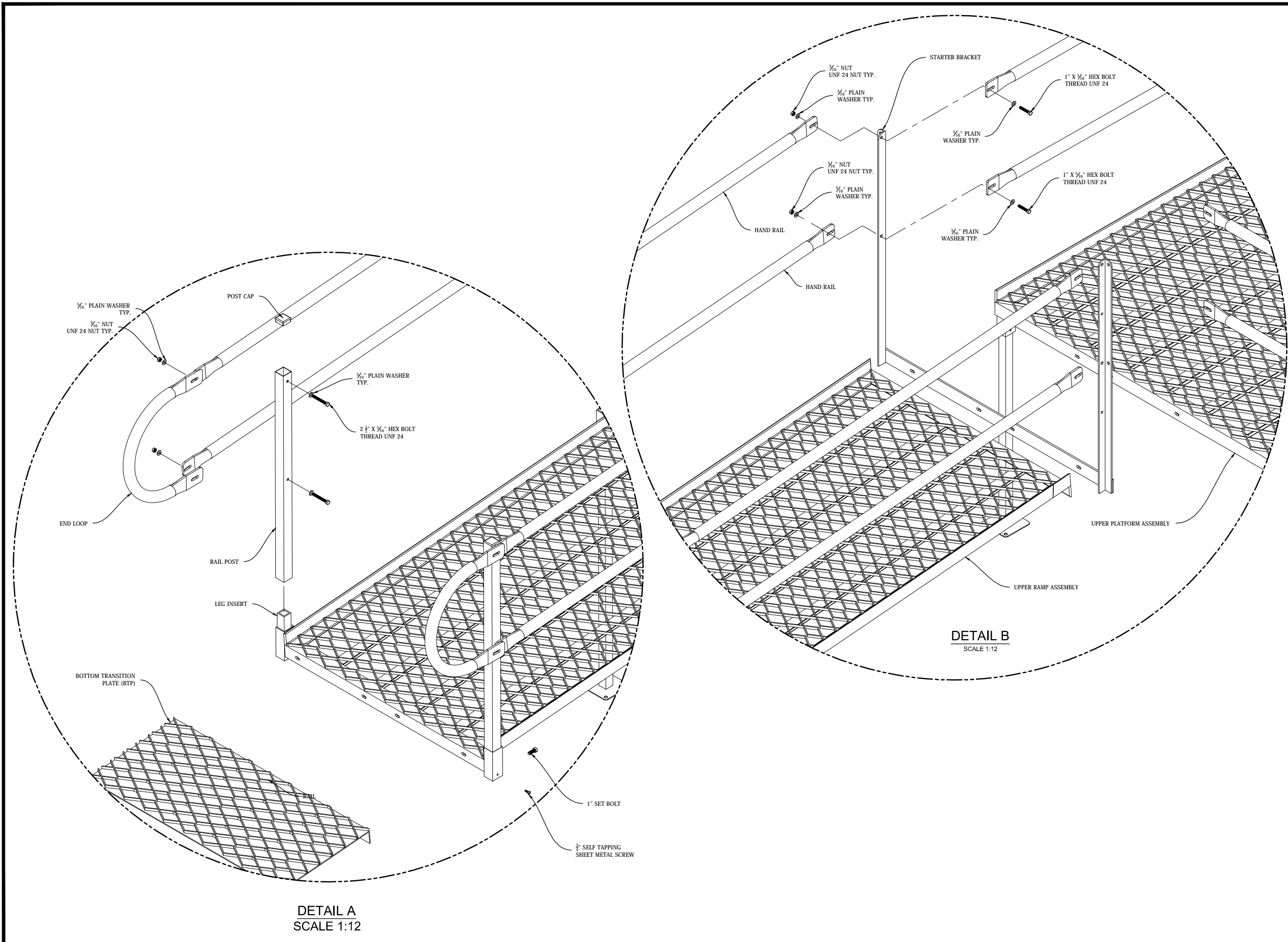
**SWITCHBACK
 RAMP**

ISSUE HISTORY:		
NO.	DATE:	DESCRIPTION:
1	11/8/2012	RAMP AND DETAILS

SHEET TITLE:
RAMP

DESIGNED BY: CENTENNIAL CAD
 DRAWN BY: WSM
 PAPER SIZE: B - 11 X 17
 SCALE: AS NOTED

SHEET NUMBER:



REVISION: C

RAMP OFF PLATFORM

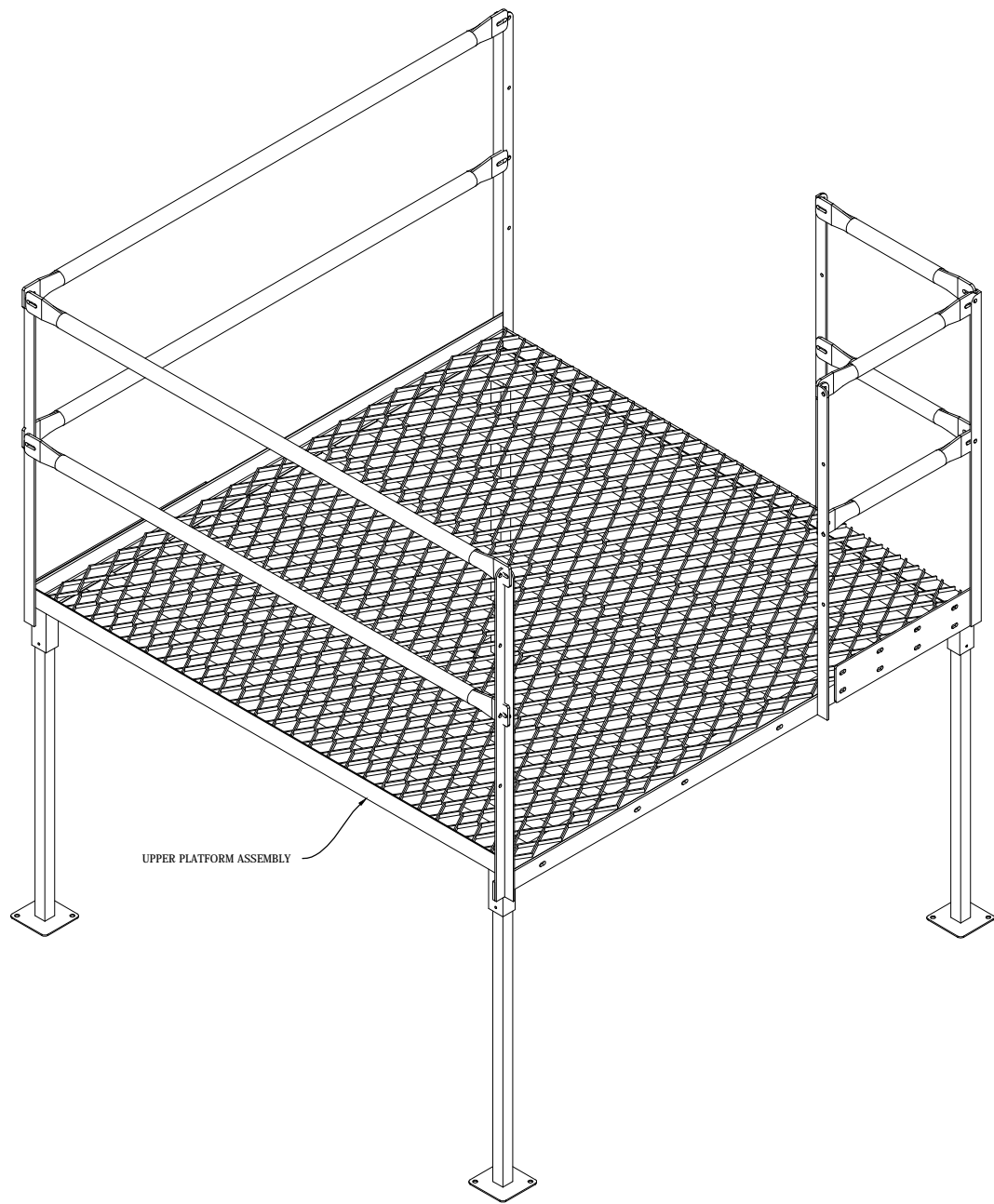
ISSUE HISTORY:

NO.	DATE	DESCRIPTION
1	11/8/2012	RAMP AND DETAILS

SHEET TITLE:
RAMP

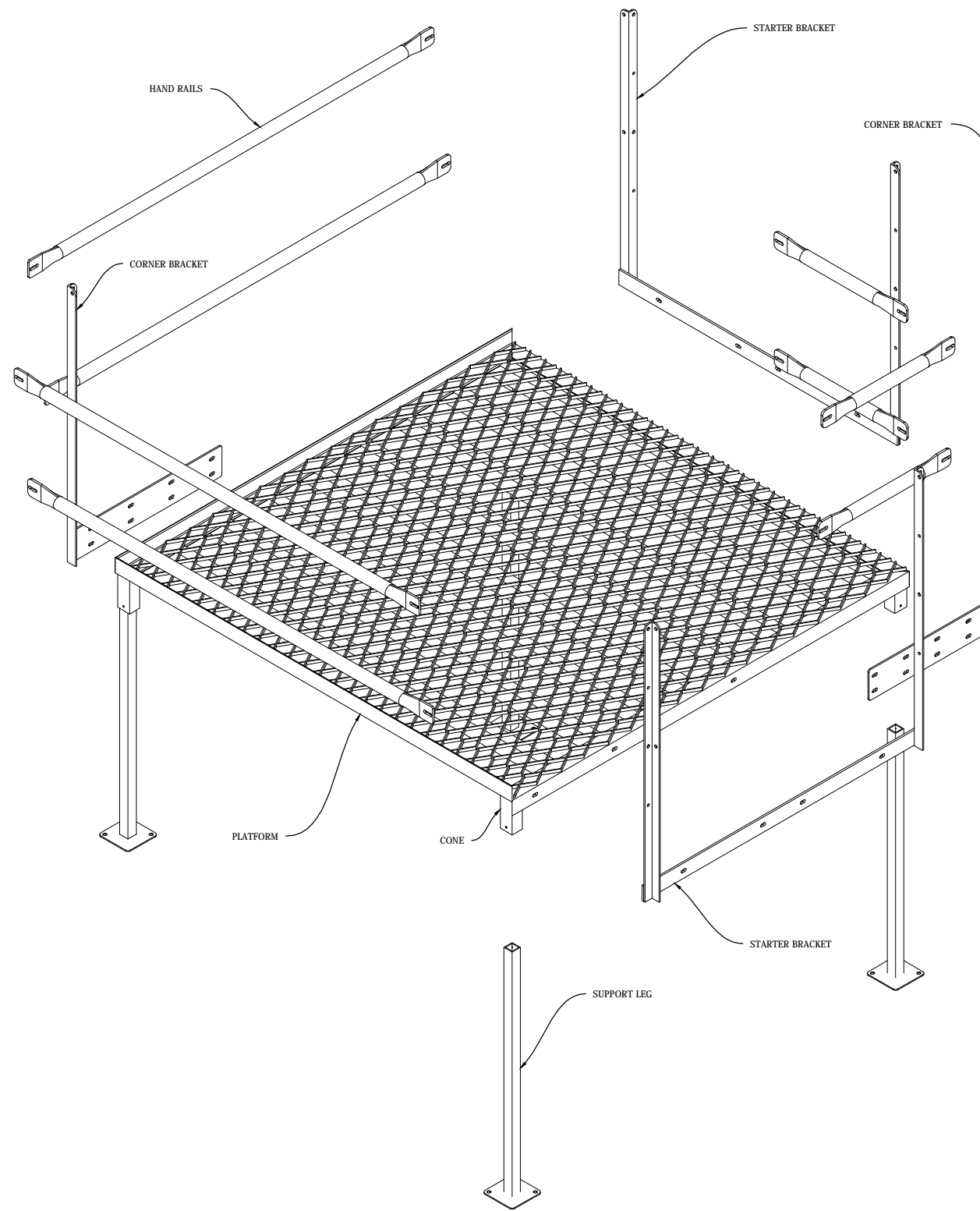
DESIGNED BY: CENTENNIAL CAD
 DRAWN BY: WSM
 PAPER SIZE: B - 11 X 17
 SCALE: AS NOTED

SHEET NUMBER:



UPPER PLATFORM ASSEMBLY

ISO VIEW
SCALE 1:16



HAND RAILS

CORNER BRACKET

STARTER BRACKET

CORNER BRACKET

PLATFORM

CONE

STARTER BRACKET

SUPPORT LEG

EXPLODED ISO VIEW
SCALE 1:16

REVISION: C

PLATFORM

ISSUE HISTORY:		
NO.	DATE	DESCRIPTION
1	11/8/2012	RAMP AND DETAILS

SHEET TITLE:
RAMP

DESIGNED BY: CENTENNIAL CAD
 DRAWN BY: WSM
 PAPER SIZE: B - 11 X 17
 SCALE: AS NOTED

SHEET NUMBER:

