

MyWay+

Spare Parts Catalogue

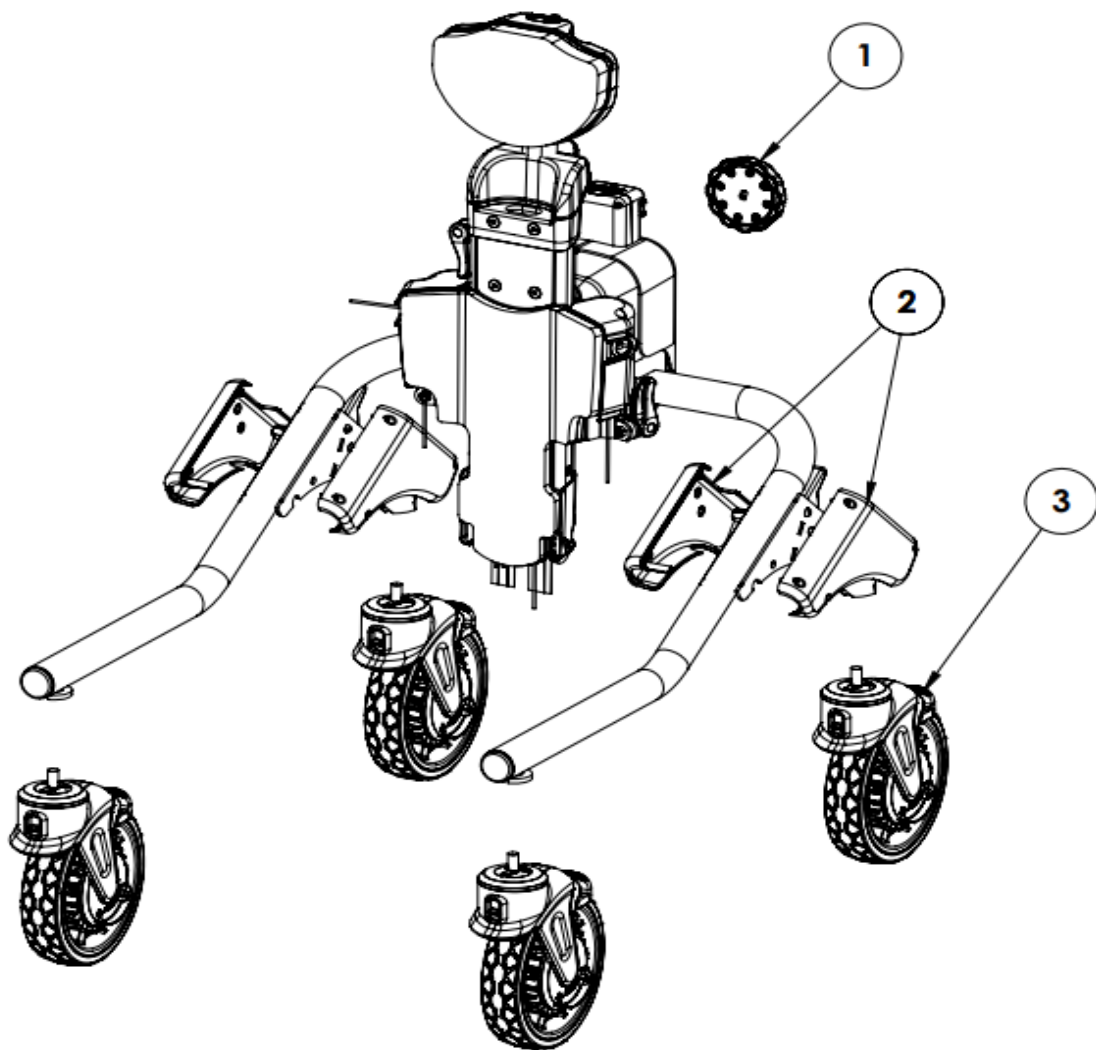


Supporting
Children

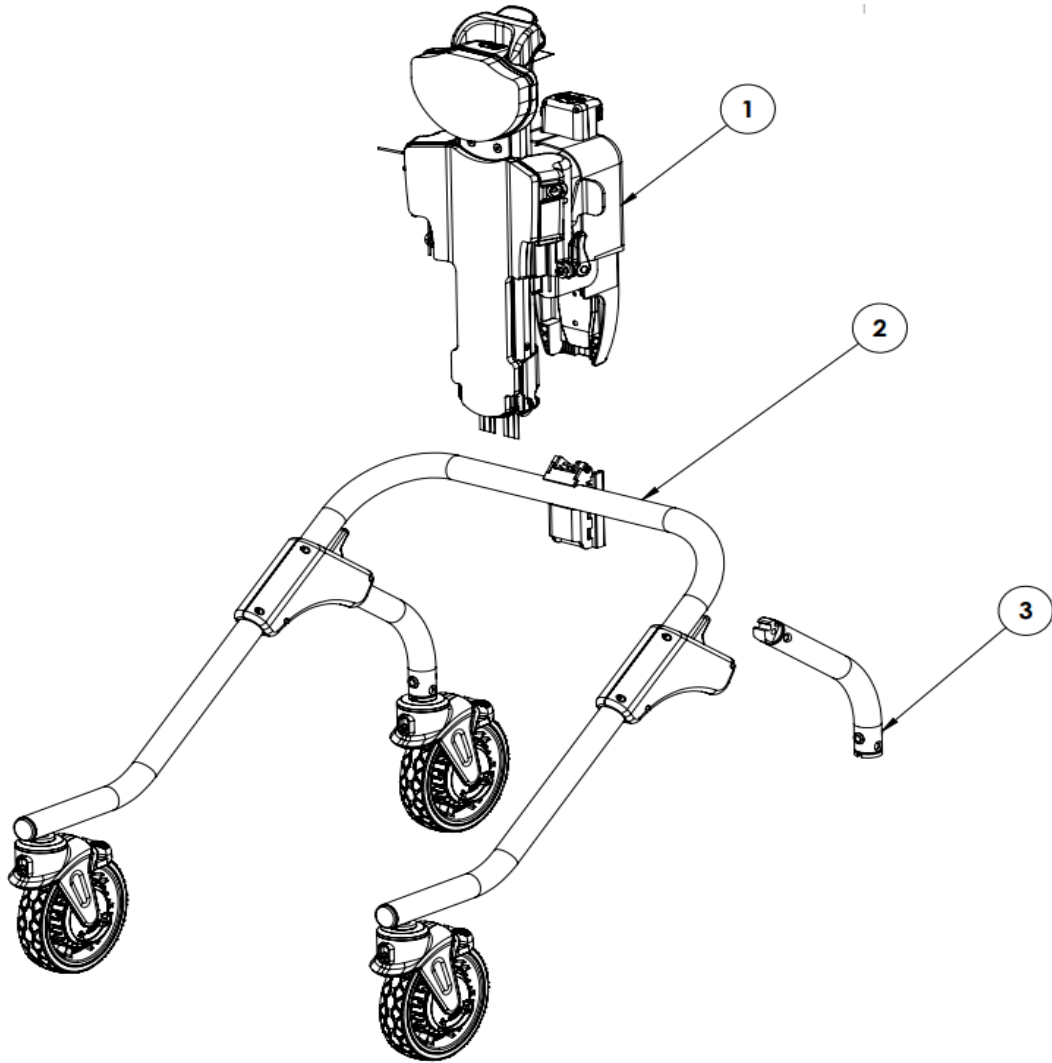
MyWay+

Contents

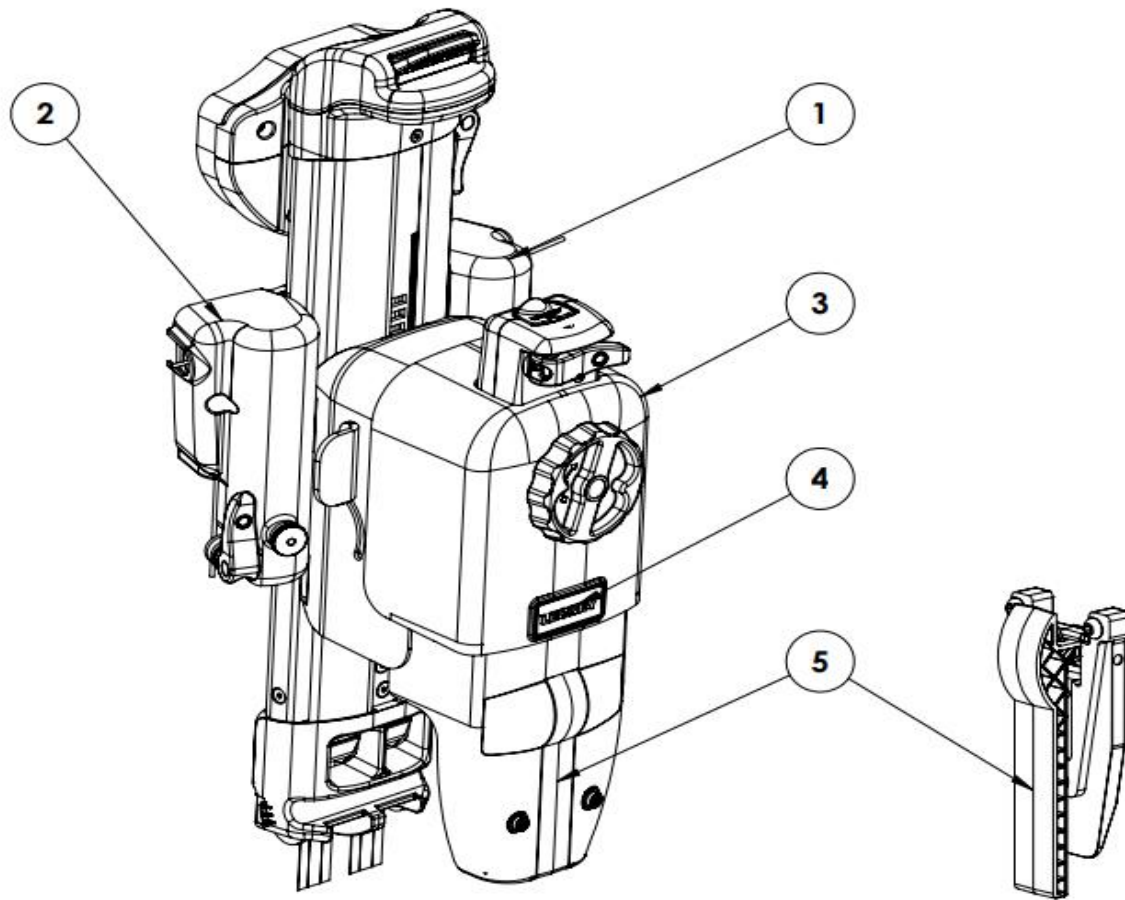
Main Frame	03
Main Frame (cont.)	04
Moulding Covers	05
Ankle Guides	06
Adult Handle	07
Basic User Handles	08
Complex User Handles	09
Complex User Handles (cont.)	10
Headrest	11
Complex Headrest	12
Shoulder	13



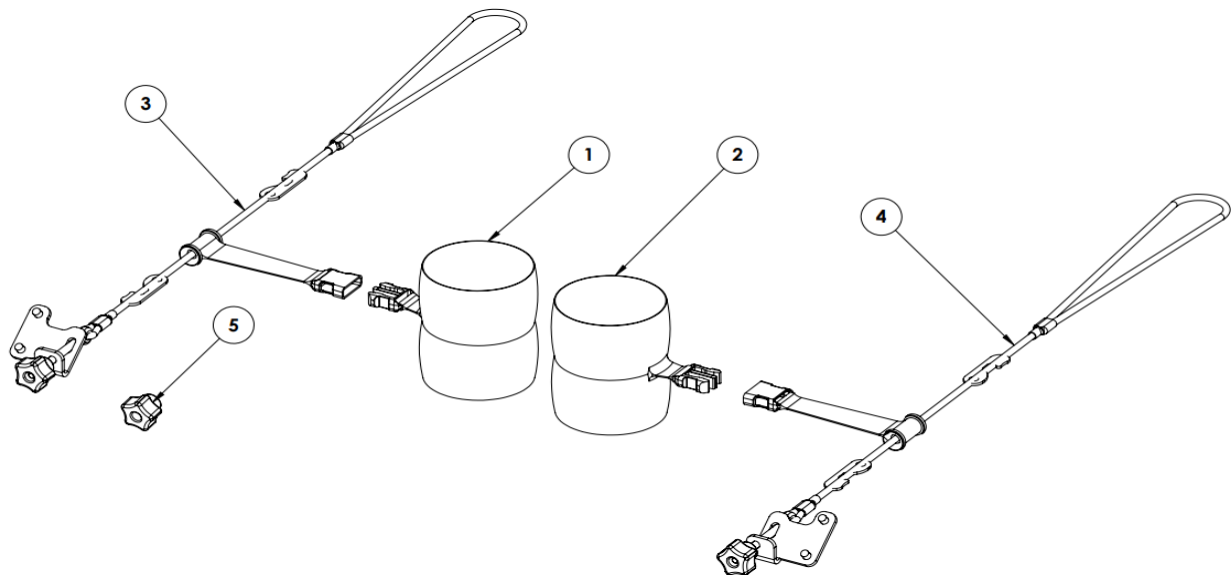
Pos.	Leckey Code	Description	Qty	Compatible with		
				Size 1	Size 2	Size 3
1	173-1705	Angle Wheel Asm	1	✓	✓	✓
2	173-1706	Frame Moulding	1	✓	✓	✓
3	209-1660	MyWay+ Castor	1	✓	✓	✓



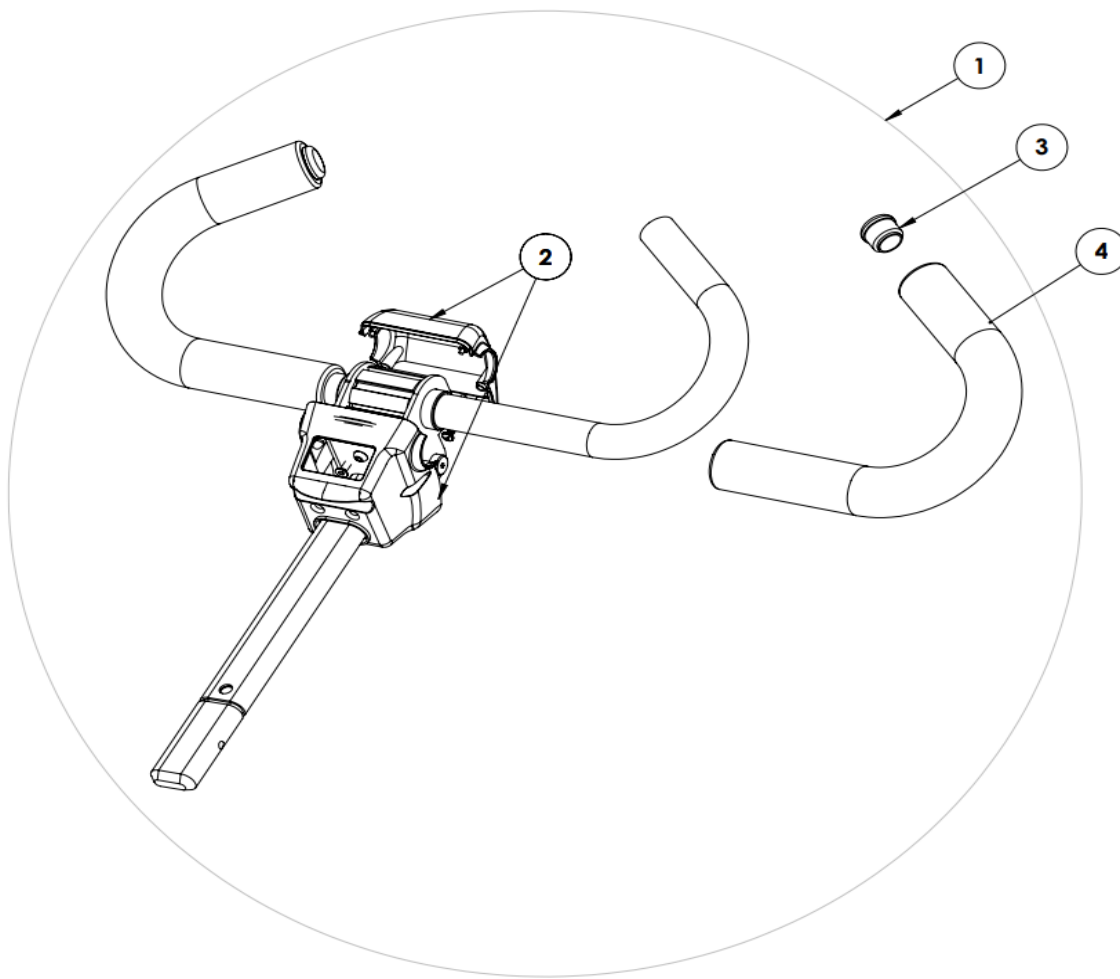
Pos.	Leckey Code	Description	Qty	Compatible with		
				Size 1	Size 2	Size 3
1	209-2788	S2 MyWay+ Spine	1		✓	
1	209-3788	S3 MyWay+ Spine	1			✓
2	209-1787	S1 MyWay+ Chassis	1	✓		
2	209-2787	S2 MyWay+ Chassis	1		✓	
2	209-3787	S3 MyWay+ Chassis	1			✓
3	209-1789	S1 Frame Leg Only	1	✓		
3	209-2789	S2 Frame Leg Only	1		✓	
3	209-3789	S3 Frame Leg Only	1			✓



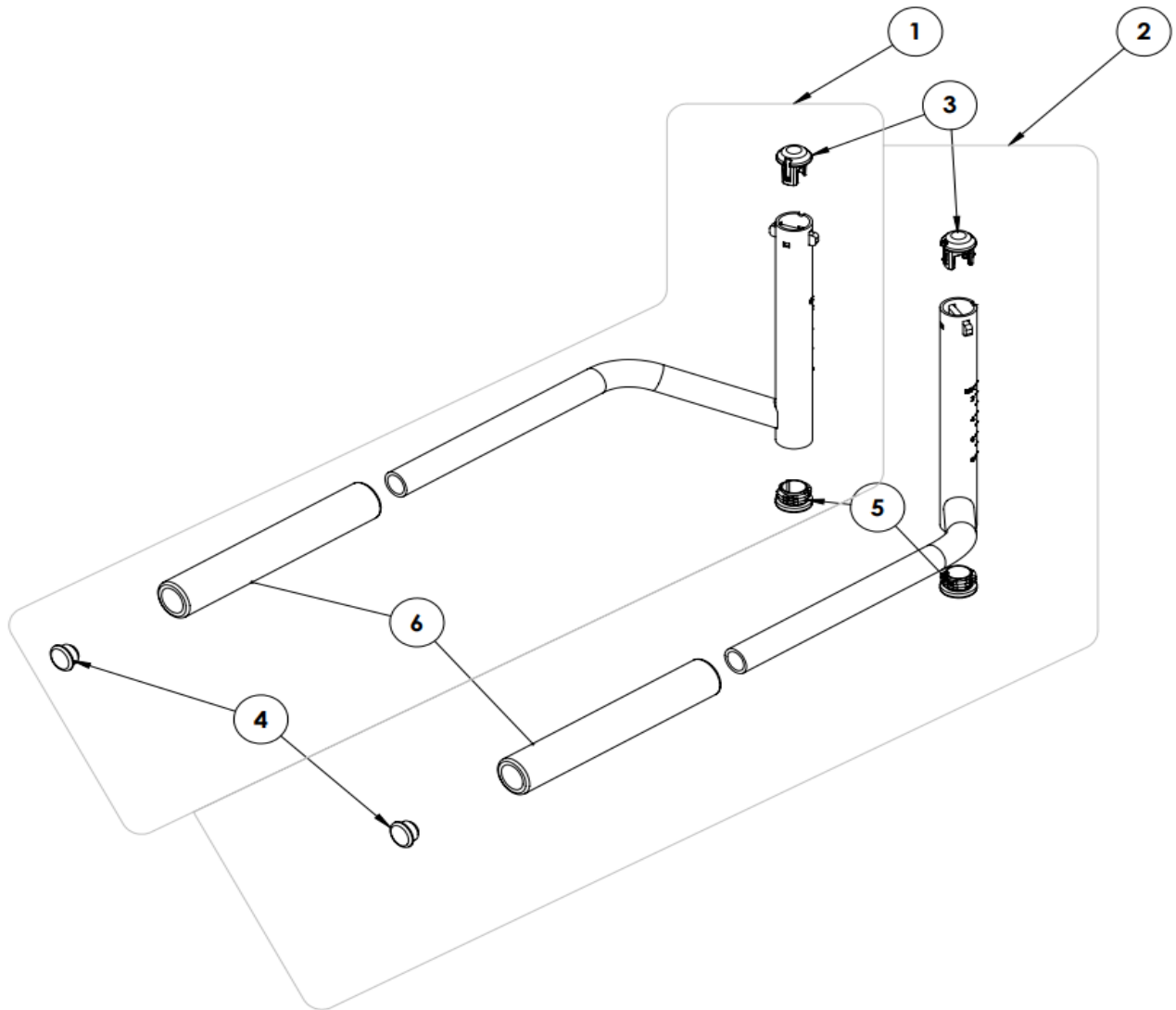
Pos.	Leckey Code	Description	Qty	Compatible with		
				Size 1	Size 2	Size 3
1	209-1782	S1 RH Pulley Shroud (Cover Only)	1	✓		
1	209-2782	S2 RH Pulley Shroud (Cover Only)	1		✓	
1	209-3782	S3 RH Pulley Shroud (Cover Only)	1			✓
2	209-1783	S1 LH Pulley Shroud (Cover Only)	1	✓		
2	209-2783	S2 LH Pulley Shroud (Cover Only)	1		✓	
2	209-3783	S3 LH Pulley Shroud (Cover Only)	1			✓
3	209-1784	S1 Parallelogram Sliding (Cover Only)	1	✓		
3	209-2784	S2/S3 Parallelogram Sliding (Cover Only)	1		✓	✓
3	209-1785	S1 Parallelogram Sliding Cover Asm	1	✓		
3	209-2785	S2/S3 Parallelogram Sliding Cover Asm	1		✓	✓
4	IE901	Leckey Logo Sticker	1	✓	✓	✓
5	209-1786	Rear Handle Lever Asm	1	✓	✓	✓



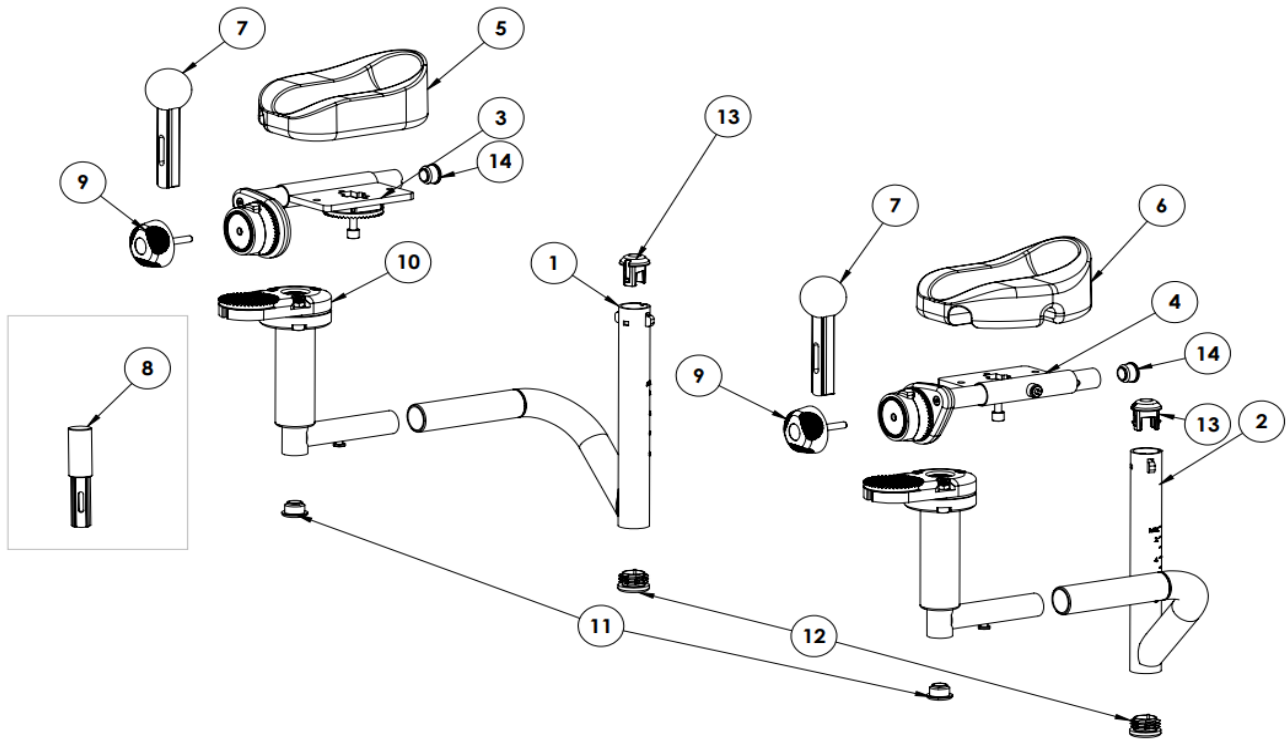
Pos.	Leckey Code	Description	Qty	Compatible with		
				Size 1	Size 2	Size 3
1	209-1702	S1 RH Ankle Wrap	1	✓		
1	209-2702	S2/3 RH Ankle Wrap	1		✓	✓
2	209-1701	S1 LH Ankle Wrap	1	✓		
2	209-2701	S2/3 LH Ankle Wrap	1		✓	✓
1 & 2	209-1759	S1 Ankle Wrap	PAIR	✓		
1 & 2	209-2759	S2/S3 Ankle Wrap	PAIR		✓	✓
3	209-1744	S1 RH Rope Slide Asm	1	✓		
4	209-1745	S1 LH Rope Slide Asm	1	✓		
3	209-2744	S2 Rope Slide Asm	PAIR		✓	
3	209-3744	S3 Rope Slide Asm	PAIR			✓
5	173-1709	Spare Essentra Knob	1	✓	✓	✓



Pos.	Leckey Code	Description	Qty	Compatible with		
				Size 1	Size 2	Size 3
1	209-1691	S1 Adult Handle	1	✓		
1	209-2691	S2/S3 Adult Handle	1		✓	✓
2	209-1742	Adult Handle Covers	1 SET	✓	✓	✓
3	209-1743	Adult Handle End Bungs	PAIR	✓	✓	✓
4	SL114	Adult Handle Grip	PAIR	✓	✓	✓

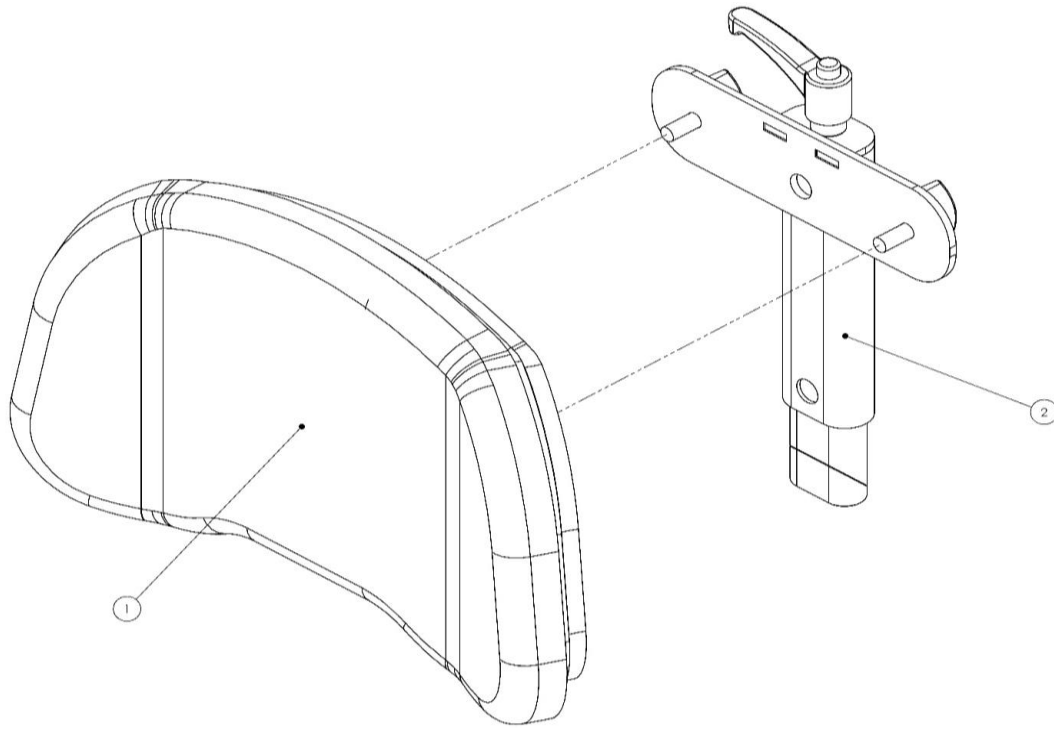


Pos.	Leckey Code	Description	Qty	Compatible with		
				Size 1	Size 2	Size 3
1	209-1665	S1 RH Handle	1	✓		
1	209-2665	S2 RH Handle	1		✓	
1	209-3665	S3 RH Handle	1			✓
2	209-1666	S1 LH Handle	1	✓		
2	209-2666	S2 LH Handle	1		✓	
2	209-3666	S3 LH Handle	1			✓
1 & 2	209-1667	S1 Handles	PAIR	✓		
1 & 2	209-2667	S2 Handles	PAIR		✓	
1 & 2	209-3667	S3 Handles	PAIR			✓
3	209-1765	Top Bung	PAIR	✓	✓	✓
4	SC891	End Bung	PAIR	✓	✓	✓
5	SC879	Underside Bung	PAIR	✓	✓	✓
6	SI49	Tubular Foam Sleeve	PAIR	✓	✓	✓

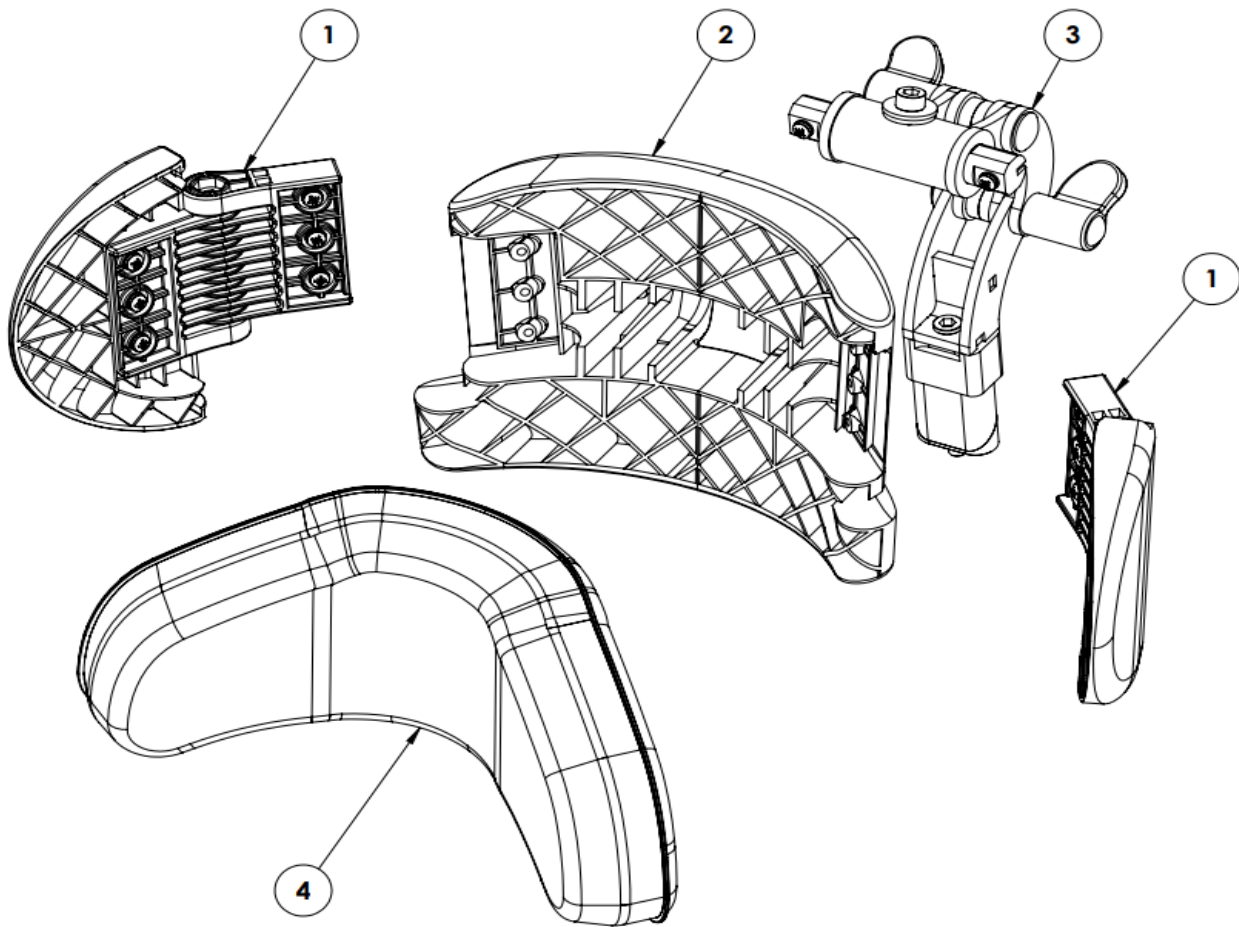


Pos.	Leckey Code	Description	Qty	Compatible with		
				Size 1	Size 2	Size 3
1	209-1769	S1 RH Spine Tube Asm	1	✓		
1	209-2769	S2 RH Spine Tube Asm	1		✓	
1	209-3769	S3 RH Spine Tube Asm	1			✓
2	209-1770	S1 LH Spine Tube Asm	1	✓		
2	209-2770	S2 LH Spine Tube Asm	1		✓	
2	209-3770	S3 LH Spine Tube Asm	1			✓
3	209-1771	S1 RH Forearm Asm	1	✓		
3	209-2771	S2 RH Forearm Asm	1		✓	
3	209-3771	S3 RH Forearm Asm	1			✓
4	209-1772	S1 LH Forearm Asm	1	✓		
4	209-2772	S2 LH Forearm Asm	1		✓	
4	209-3772	S3 LH Forearm Asm	1			✓
5	209-1773	S1 RH Armpad Asm	1	✓		
5	209-2773	S2 RH Armpad Asm	1		✓	
5	209-3773	S3 RH Armpad Asm	1			✓
6	209-1774	S1 LH Armpad Asm	1	✓		
6	209-2774	S2 LH Armpad Asm	1		✓	
6	209-3774	S3 LH Armpad Asm	1			✓

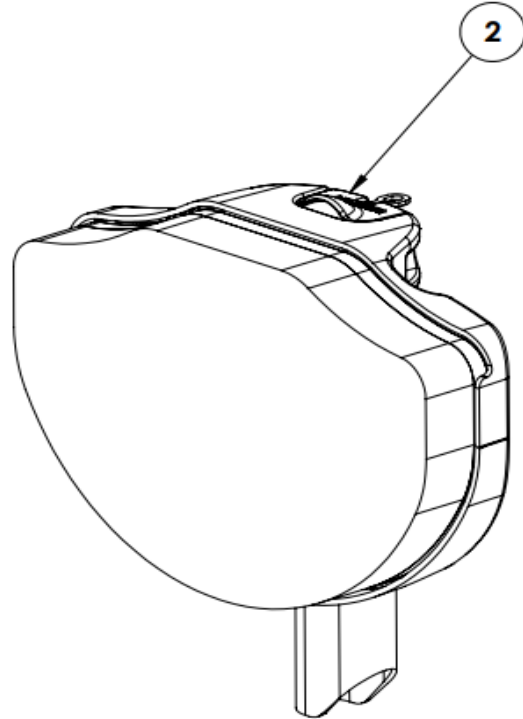
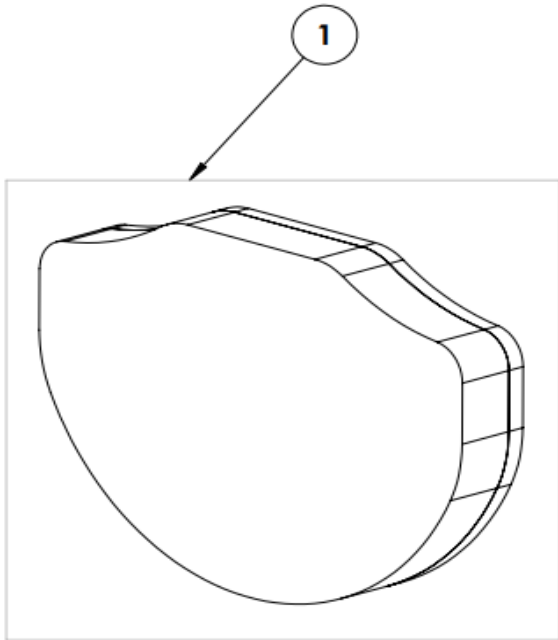
Pos.	Leckey Code	Description	Qty	Compatible with		
				Size 1	Size 2	Size 3
7	209-1318	S1 Ball Grip	PAIR	✓		
7	209-2318	S2 Ball Grip	PAIR		✓	
7	209-3318	S3 Ball Grip	PAIR			✓
7	209-1779	S1 Ball Grip	1	✓		
7	209-2779	S2 Ball Grip	1		✓	
7	209-3779	S3 Ball Grip	1			✓
8	209-1741	Cylinder Grip	PAIR	✓	✓	✓
9	209-1776	Orb Knob	PAIR	✓	✓	✓
10	209-1777	S1 Elbow Asm	1	✓		
10	209-2777	S2 Elbow Asm	1		✓	
10	209-3777	S3 Elbow Asm	1			✓
11	SC891	End Bungs	PAIR	✓	✓	✓
12	SC879	Underside Bungs	PAIR	✓	✓	✓
13	209-1765	Top Bung	PAIR	✓	✓	✓
14	209-1781	3D Ball Asm End Bungs	PAIR	✓	✓	✓



Pos.	Leckey Code	Description	Qty	Compatible with		
				Size 1	Size 2	Size 3
1	173-1683	Head Pad Asm	1	✓	✓	✓
2	173-1710	Headrest Attachment Asm	1	✓	✓	✓



Pos.	Leckey Code	Description	Qty	Compatible with		
				Size 1	Size 2	Size 3
1	150-5091	Headrest Wing	PAIR	✓	✓	✓
2	150-5092	Headrest Central Moulding	1	✓	✓	✓
3	209-1760	Headrest Attachment Asm	1	✓	✓	✓
4	209-1761	Headrest Cover	1	✓	✓	✓



Pos.	Leckey Code	Description	Qty	Compatible with		
				Size 1	Size 2	Size 3
1	209-1790	S1 Shoulder Pad (Foam & Vinyl)	1	✓		
1	209-2790	S2 Shoulder Pad (Foam & Vinyl)	1		✓	
1	209-3790	S3 Shoulder Pad (Foam & Vinyl)	1			✓
2	209-1791	S1 Shoulder Asm	1	✓		
2	209-2791	S2 Shoulder Asm	1		✓	
2	209-3791	S3 Shoulder Asm	1			✓