

FORM NUMBER: 234-0186-01

PRINT DATE: MAY 1988

SUPERSEDES: 234-0186-00

owner / user instructions

FOR TELESCOPING SQUAD HANDLES

MODEL
715



IMPORTANT

THIS MANUAL HAS BEEN PREPARED TO INSTRUCT USERS IN THE SAFE AND EFFICIENT APPLICATION OF THE FERNO MODEL 715 TELESCOPING SQUAD HANDLES.

MODEL 715 TELESCOPING SQUAD HANDLES AID IN THE LIFTING, LOWERING, OR OTHER MOVEMENT OF A COT OR STRETCHER. THEY ARE DESIGNED TO FIT FERNO COTS AND STRETCHERS HAVING 1 3/32" DIAMETER TUBULAR FRAMES.

INSTALL THE HANDLE IN A POSITION THAT DOES NOT INTERFERE WITH THE OPERATION OR CONTROL OF THE COT OR STRETCHER. DO NOT MODIFY THE COT OR STRETCHER TO FACILITATE INSTALLATION.

EACH USER SHOULD READ THESE INSTRUCTIONS AND PRACTICE THE PROCEDURES OF USE BEFORE ACTUALLY PLACING THE TELESCOPING SQUAD HANDLES IN SERVICE.

ESTABLISH REGULAR INSPECTION PROCEDURES AND RESPONSIBILITIES TO INSURE PROPER MAINTENANCE AS DESCRIBED.

RETAIN THIS MANUAL FOR FUTURE REFERENCE. INCLUDE IT WITH THE TELESCOPING SQUAD HANDLES IN THE EVENT OF TRANSFER TO NEW OWNERS OR USERS.



SERIAL NUMBER

DATE RECEIVED

PURCHASED FROM

PRACTICE COMPLETION DATE

USED ON VEHICLE NUMBER



European Representative

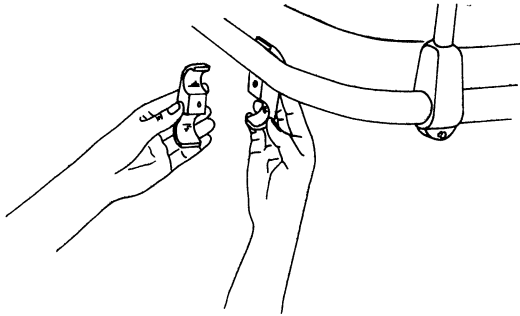
Ferno (UK) Limited, Stubs Beck Lane, Cleckheaton
West Yorkshire BD19 4TZ, United Kingdom
Telephone +44 (0) 1274 851999
Fax +44 (0) 1274 851111
Internet www.ferno.co.uk 234-3468-00

A Division of
FERNO-WASHINGTON, INC.
70 Weil Way
Wilmington, OH 45177-9371
Phone: 513/382-1451
Telex: 6842139 FERNO UW

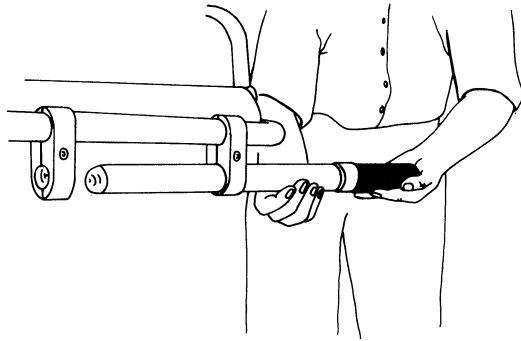
INSTALLATION

These instructions describe a typical installation on the foot end of a Model 30 Ambulance Cot. Other cot or stretcher models may differ somewhat. However, the installation procedures are essentially the same.

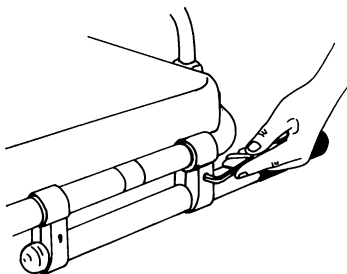
Determine the approximate four points on the cot where the mount castings will be attached. Separate the castings by removing the socket head bolt with the hex wrench supplied . . . then reassemble them around the cot frame at the attaching points. Note: The mount casting "halves" are not interchangeable, so keep them "paired" for proper fit.



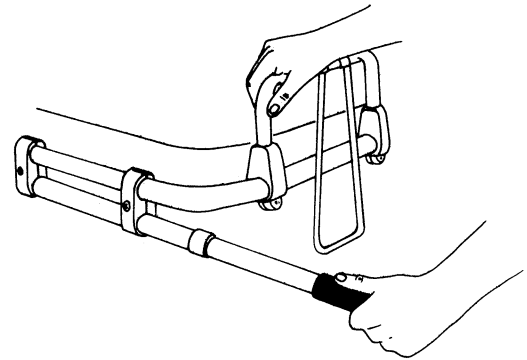
Slide the telescoping squad handle assembly into the mount castings. Properly installed, the handle tube will pass completely through both castings which will be spaced 4-12 inches apart.



Locate the squad handle in the desired position, then tighten the mount casting bolts. Properly installed, the handle assembly should be clamped tightly, should not rotate or slide on the cot/stretcher frame tube, and the telescoping handle should slide in and out smoothly.



Check the installation to make sure the squad handles, pulled out or pushed in, do not interfere with proper operation of the cot or stretcher in all positions (raised, lowered, in a vehicle, etc.) in which it will be used.



GENERAL USE

The telescoping squad handles provide an alternate means of carrying a cot or stretcher. Length of the squad handles is adjusted simply by pulling/pushing to the desired length.

INSPECTION AND MAINTENANCE

One of the most important aspects of any maintenance program is regular inspection. Such inspection should include looking for anything that might affect the integrity of the squad handles, broken or bent parts, loose fasteners, etc. If at any time a squad handle does not operate properly, TAKE IT OUT OF SERVICE until repair or replacement can be made.

Periodic lubrication of moving parts may be required. Apply a light oil or waterproof grease as needed. Wipe off any excess.

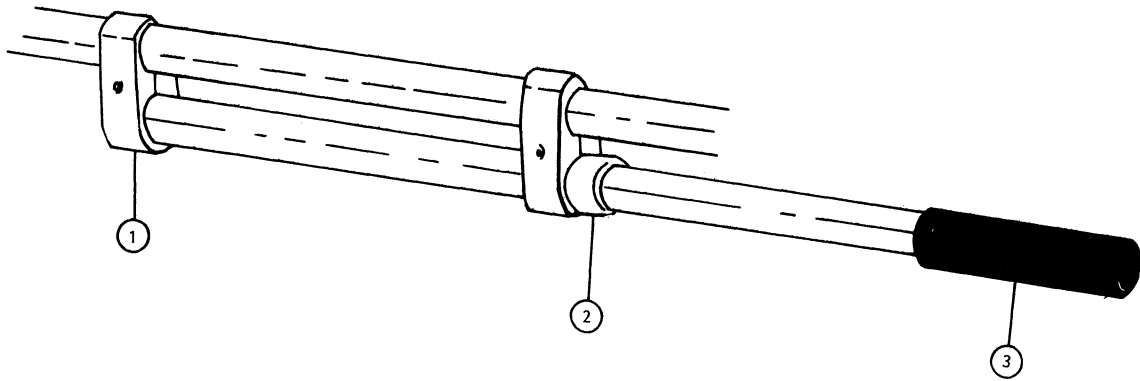
CUSTOMER SERVICE

The serial number is printed on a label attached to one of the squad handles. It should be recorded with other pertinent information on the front cover of this manual.

If it becomes necessary to order a replacement part, a reference to both model number and serial number will help us supply the proper parts.

Should questions arise regarding the use or care of this product that are not covered clearly in this manual, our customer service representatives will be happy to assist. They can be reached directly at the Ferno Division of Ferno-Washington, Inc., 70 Weil Way, Wilmington, Ohio 45177-9371. Phone: 513/382-1451.

REPLACEMENT PARTS



NOTE: PLEASE ORDER BY
PART NUMBER . . . NOT ITEM

ITEM	DESCRIPTION	QTY.	PART NUMBER
1	TELESCOPING HANDLE CASTING SPLIT W/HARDWARE	1 EA.	090-2995-00
2	COT RING SET	2 EA.	090-1260-00
3	HANDLE GRIP W/RIVET	1 EA.	090-3074-00

Limited Warranty

All hard goods-e.g. cots, stair chairs, basket stretchers, church truck, etc., are warranted for one year from date of purchase. Hard goods claimed defective within the one-year period and caused by material or workmanship will receive prompt investigation and fair adjustment.

Soft goods-e.g. head immobilizers, restraints, KEDs etc., are warranted for 90 days from date of purchase. Soft goods claimed defective within the 90 day period and caused by material or workmanship will receive prompt investigation and fair adjustment.

Due to the nature of their intended use, certain soft goods, once used, cannot be returned. These products include first call covers, first call pouches, disaster pouches, sheets, blankets, and mattresses. Please inspect these items carefully upon receipt for any flaw in material or workmanship.

If a defect is found after the product has been placed in service, DO NOT return it to Ferno. Contact your dealer or Ferno customer service for replacement information.

Return Policy: No product will be accepted without prior approval of Ferno! Merchandise accepted for repair or replacement will be evaluated against established criteria, including age and condition of product and expected length of time to repair that product, as well as its ability to meet current industry standards. If repairable, an estimate will be provided to the customer before work begins. All repaired items carry a 90 day warranty. A cleaning charge may apply to returned products. Your Ferno customer service representatives will be happy to assist you.