



Molift In Rail Charging

Automatic charging of Molift Air batteries in Molift Rail Systems

Molift In Rail Charging

What is In Rail Charging?

In Rail Charging (IRC) is a system that facilitates automatic charging of Molift Air batteries, in Molift Rail System (MRS). The benefit of this system is a lift motor that is always charged, and ready to use.

The lift motor electronics is monitoring and controls the charging of the batteries when necessary. There is no need for charging routines, and the lift motor is charged anywhere on the rail fitted with IRC.

Components

All Molift Rail System traverses and straight tracks* can have IRC installed or retrofitted. The lift motor and the traverse trolleys has a pickup device, that picks up charging current from a conductive tape installed inside the rails. The conductive tape is powered by an external DC power supply.

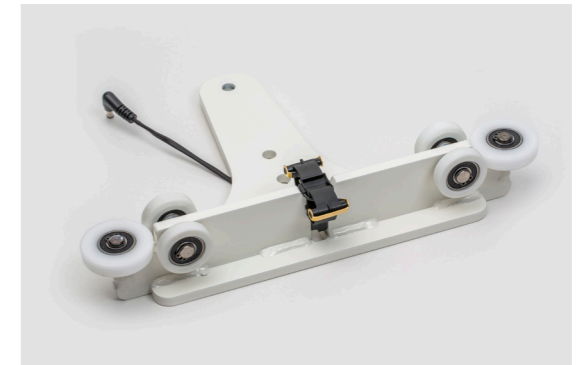
*The IRC installation is not possible on systems that has traverse switches, rail switches and rail curves.



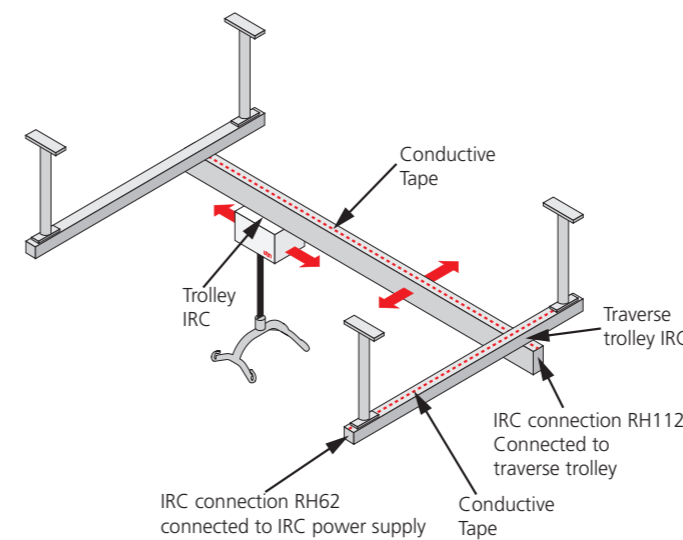
Details



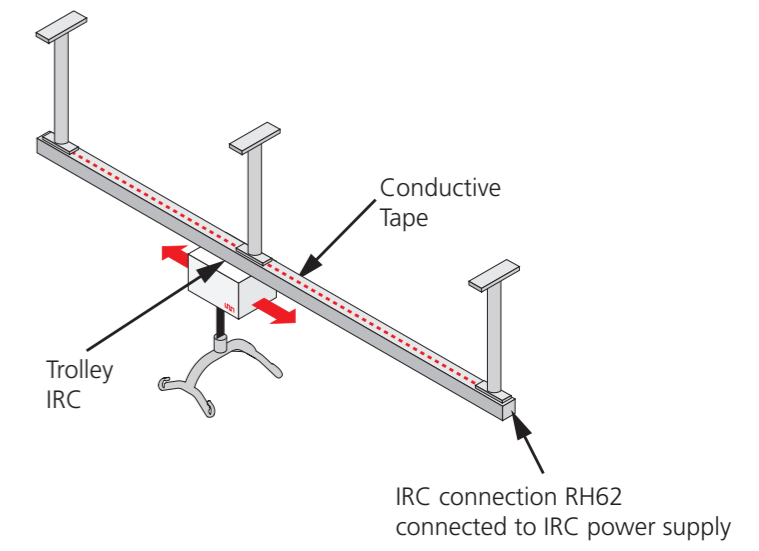
The IRC pickup device is fitted onto the motor trolley, and transfer voltage from the IRC Tape to the charging unit (inside the motor housing).



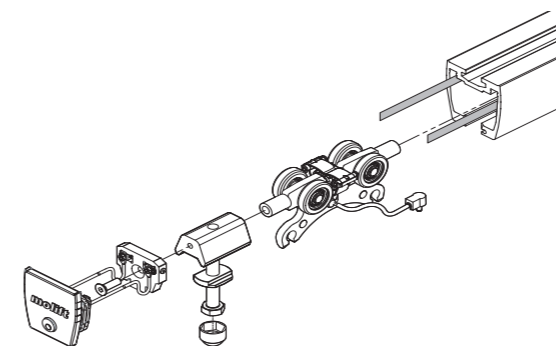
IRC pickup device installed on a traverse trolley. Transfer voltage from primary rail to secondary rail.



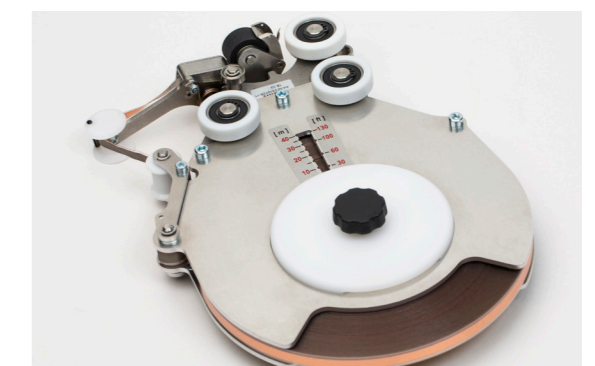
IRC Traverse system



IRC Single Rail System



Exploded view of IRC tools



The IRC tape applicator used when installing conductive tape inside the rails.

Molift In Rail Charging (IRC)

- Molift Air 205 IRC	27205
- Molift Air 300 IRC	27300
- Molift Air 205 IRC propulsion	28205
- Molift Air 205 IRC propulsion	28300

For MRS details - please contact your local supplier.

A perfect match!

Molift Air, Molift RgoSlings and Molift Rail System create the perfect integrated solution for all situations. It combines the best from an installation, caregiver and patient perspective. With the high flexibility of the Molift Air and the wide range of Molift RgoSlings, this is a perfect match. Innovative and cost-effective for all situations! We put a lot of passion in developing every detail.

