

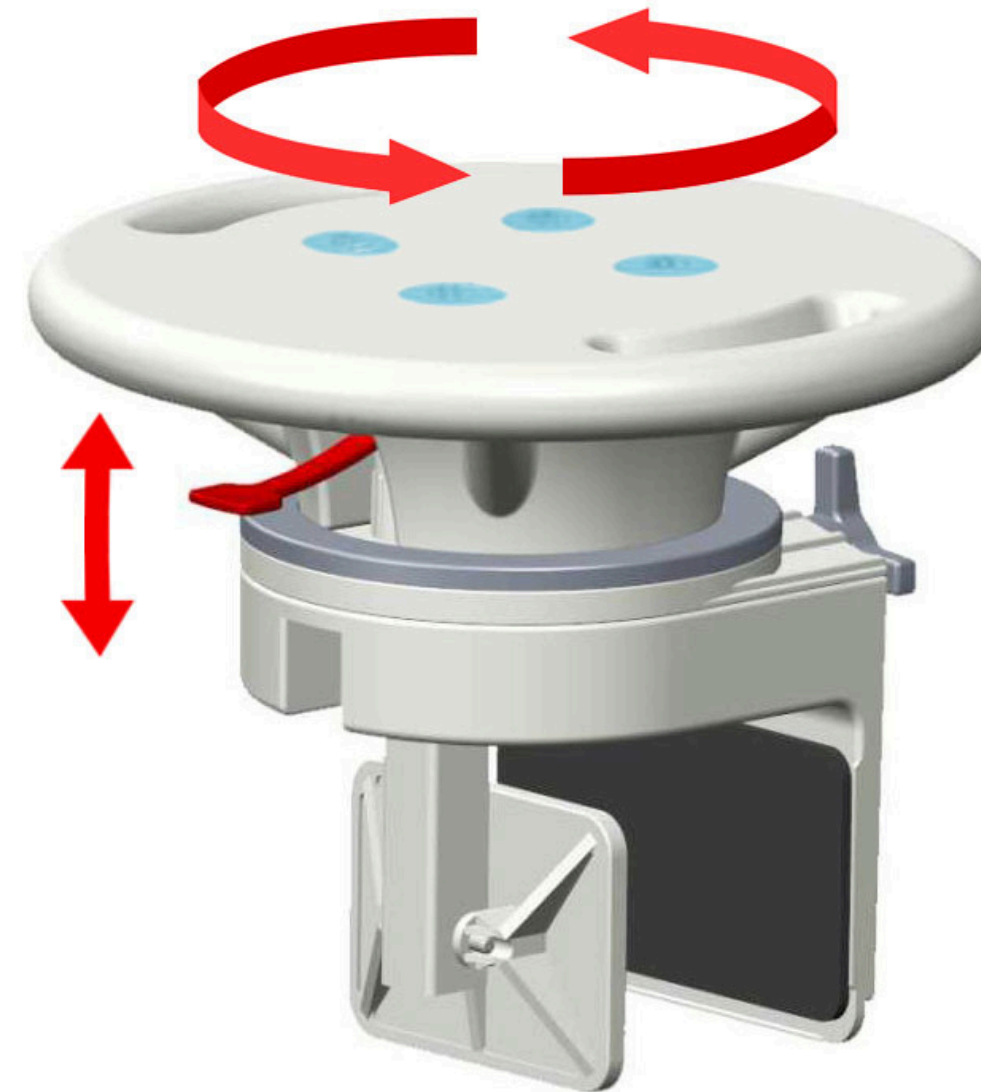
Lifetime Limited Warranty

If you have a question about your MOBB Healthcare device or this warranty, please contact an authorized MOBB Healthcare dealer.

MOBB Healthcare warrants to the consumer purchaser for as long as they own their MOBB product that it will be free from defects in material and workmanship under normal use. This warranty is only applicable to products used in residential applications within the United States and Canada and is not transferable to subsequent owners. Should defects in material or workmanship exist during the applicable warranty period in any MOBB Healthcare Product, MOBB Healthcare will elect at its discretion to either repair or replace the defective material. This warranty covers only parts and materials of the products supplied by MOBB Healthcare. Not covered under this warranty are wear and tear items or abuse of the product in a manner that was not intended for the product to be used. This warranty shall become void if the product is in any way modified, improperly adjusted or abused.

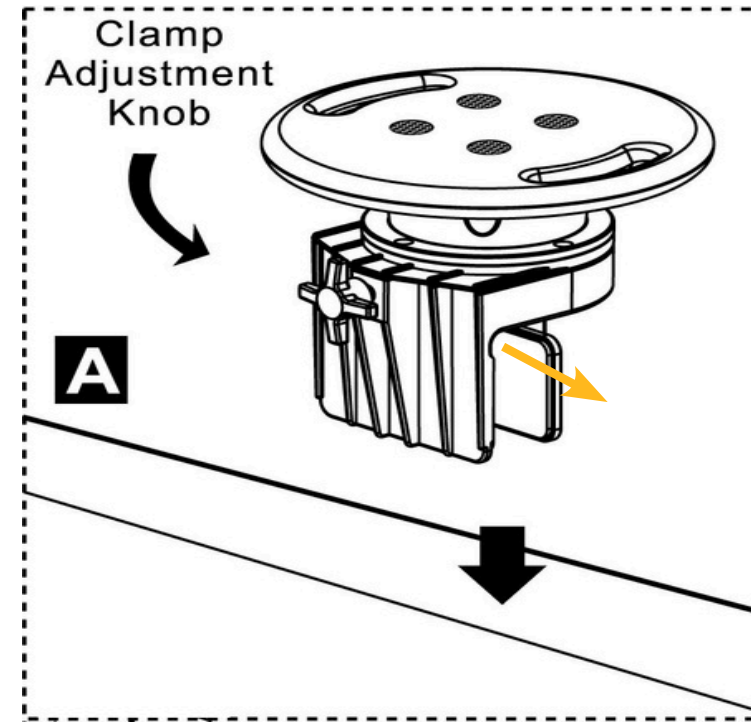


Rotating Bathtub Seat 300 lbs weight capacity

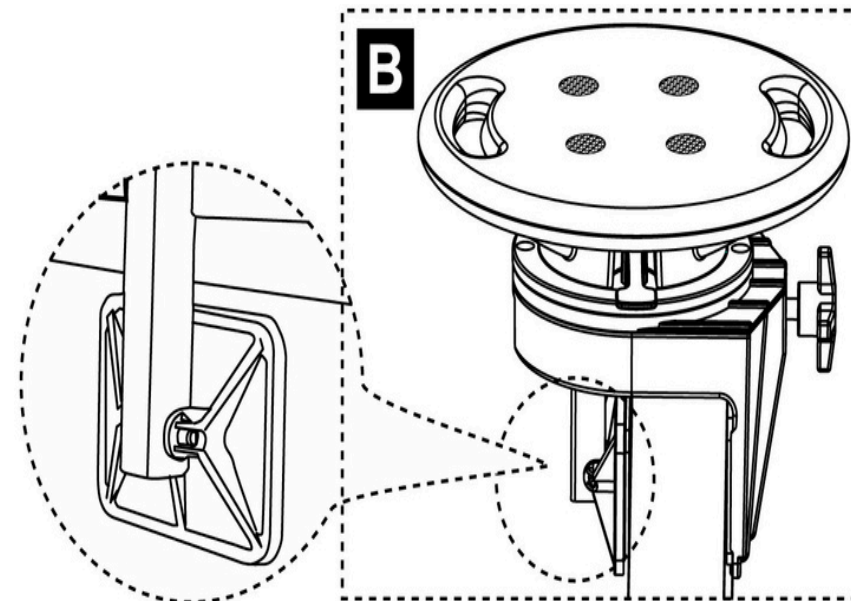


assembly instructions

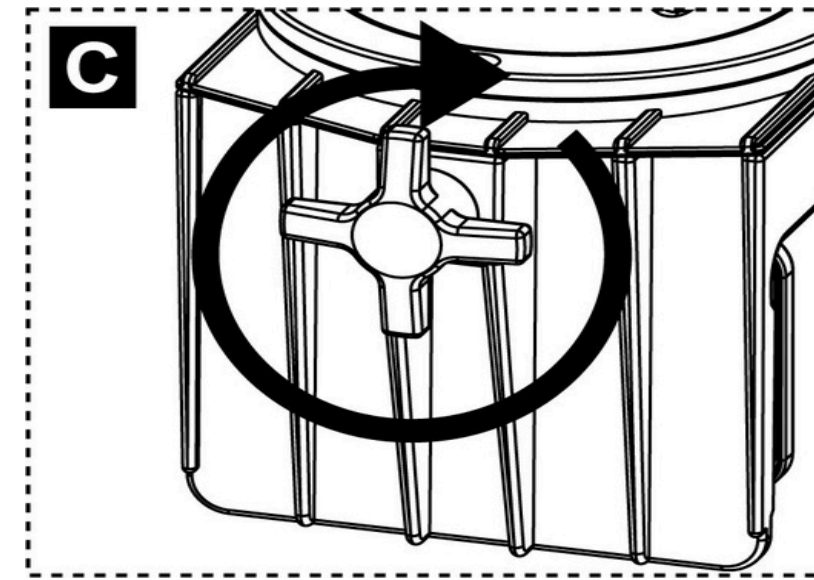
1. Position the Rotating Bathtub Seat into the edge of the bathtub in an area that is flat on the inside and outside, as shown. Make sure the clamp adjustment knob is facing to the outside of the tub (Image A).



2. Make sure both sides of the clamp are positioned flat against the inside and outside of the tub (Image B).

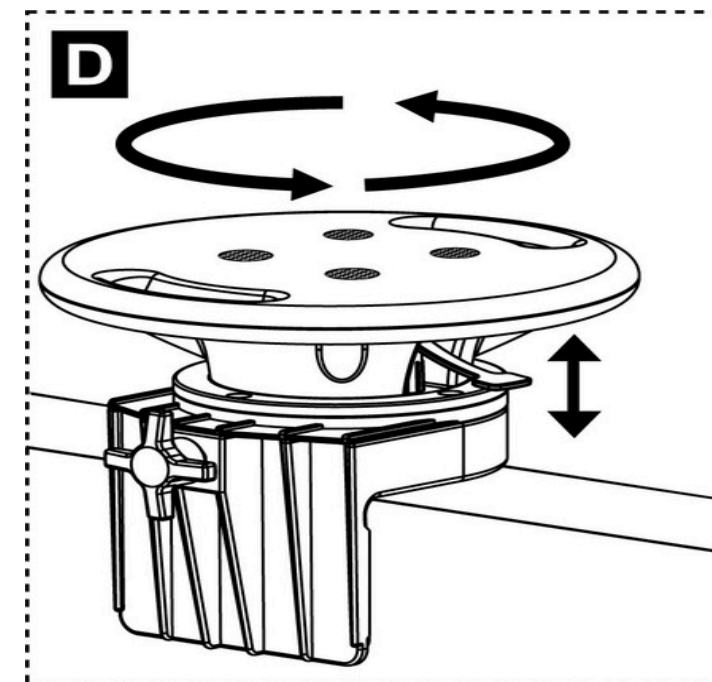


3. Turn and tighten the clamp adjustment knob until the unit is securely clamped to the bathtub (Image C).



4. Ensure that the Rotating Bathtub Seat is securely attached to the tub by trying to move the Rotating Bathtub Seat back and forth by applying some force to the seat. If loose, tighten clamp adjustable knob.

5. Adjust to the desired seat position by pulling up or press down on the handle, rotating the seat to the desired position, and ensuring that the handle drops back down to its locked position with an audible click (Image D).



Cautions

- Read instructions before installation.
- Please check before installation if the parts quantities are correct.
- Must check before each use that Rotating Bathtub Seat is securely attached to the tub. Reinstall if necessary.
- Max user weight 300 lbs / 136 kgs.
- MOBB Healthcare assumes no liability for any damage or injury caused by improper, installation or use of this product.

Rotating Bathtub Seat USER MANUAL