



Heavy Duty Bath Chair

Lifetime Limited Warranty

If you have a question about your MOBB Healthcare device or this warranty, please contact an authorized MOBB Healthcare dealer.

MOBB Healthcare warrants to the original consumer purchaser for as long as they own their MOBB product that it will be free from defects in material and workmanship under normal use. This warranty is only applicable to products used in residential applications within the United States and Canada and is not transferable to subsequent owners. Should defects in material or workmanship exist during the applicable warranty period in any MOBB Healthcare Product, MOBB Healthcare will elect at its discretion to either repair or replace the defective material. This warranty covers only parts and materials of the products supplied by MOBB Healthcare. Not covered under this warranty are wear and tear items or abuse of the product in a manner that was not intended for the product to be used. This warranty shall become void if the product is in any way modified, improperly adjusted or abused.



weight capacity: 500 lbs

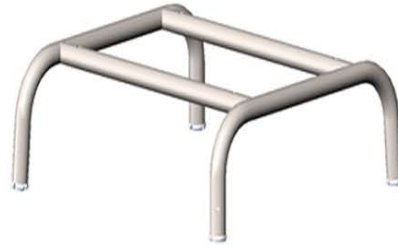
Parts List



1. Seat plate



2. Back plate



3. Seat frame



4. Leg tube set*4



5. Reinforcement tubs*2



6. Backrest tube*2



7. Curved gasket*10



8. Flat gasket*8



9. Plastic curved gasket*4



10. M6*30 screws*4



11. M6*40 screws*5



12. M6*65 screws*4



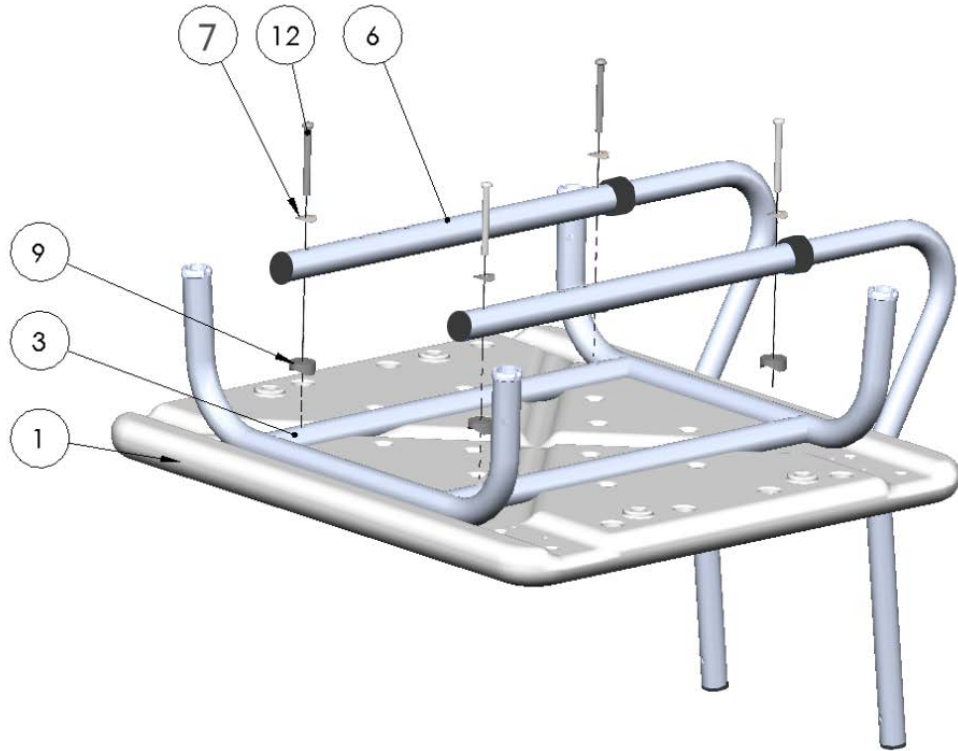
13. M6 nylon nuts*5



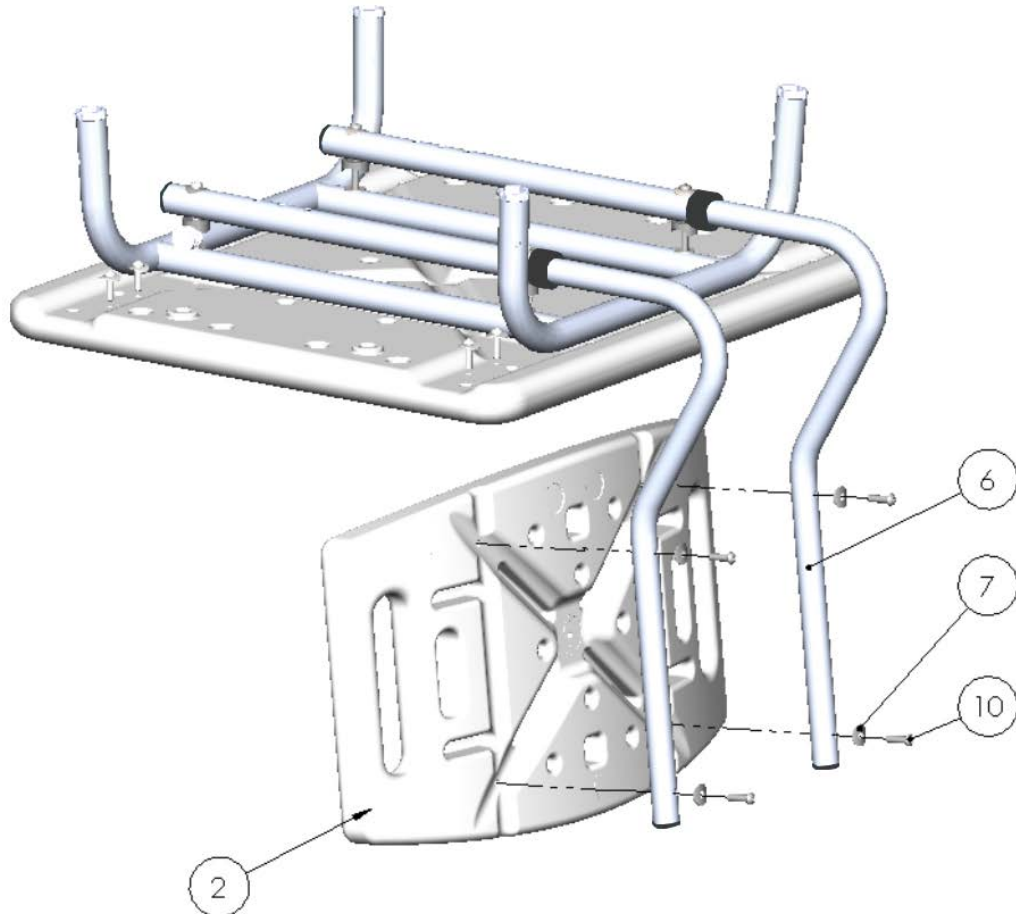
14. C-clips*4

Assembly Steps

① As shown in the picture, pass the M6*65 screws through part 7, part 6, part 9, and part 3 in sequence, and connect on part 1.

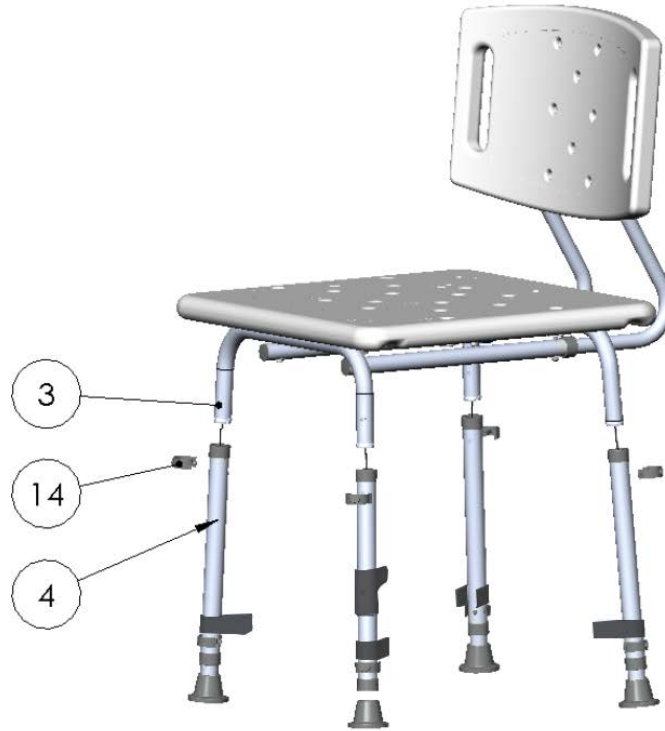


② As shown in the picture, pass the M6*30 screws through part 7 and part 6 in sequence, and connect on part 2.



Assembly Steps

- ③ Put part 4 into part 3 as shown in the picture, and then insert part 14.



- ④ As shown in the picture, use M6*40 screws to pass through part 7, part 5 (two pieces), part 7, and part 13 in sequence, and use M6*40 screws to connect the two reinforcement tubes (no need to tighten). Insert part 8, part 4, part 5, part 8, and part 13 in order, and tighten with M6*40 screws. Finally, tighten the screws in the center of the reinforcing tube.

