

Aquatec® Marine

en Bath lift	
User Manual	3



This manual **MUST** be given to the user of the product.
BEFORE using this product, read this manual and save for future reference.

AQUATEC®



Yes, you can.®

Contents

This manual MUST be given to the user of the product.
BEFORE using this product, read this manual and save for future reference.

1 General	4
1.1 Information about the user manual	4
1.2 Symbols in this user manual	4
1.3 Warranty	4
1.4 Standards and regulations	4
1.5 Intended use	5
1.6 Service life	5
2 Safety	6
2.1 Safety information	6
2.2 Safety information on electromagnetic compatibility	6
2.3 Labels and symbols on the product	7
3 Setup	9
3.1 Safety information	9
3.2 Scope of delivery	9
3.3 Setting up the bath lift	10
3.4 Charging the battery	13
4 Usage	15
4.1 Safety information	15
4.2 Controlling the bath lift	15
4.3 Bathing	17
5 Transport	19
5.1 Safety information	19
5.2 Removing the bath lift	19
6 Maintenance	21
6.1 Maintenance and servicing	21
6.2 Cleaning and disinfection	21

7 After Use	23
7.1 Storage	23
7.2 Re-use	23
7.3 Disposal	23
8 Troubleshooting	24
8.1 Identifying and repairing faults	24
9 Technical data	25
9.1 Dimensions and weight	25
9.2 Electronic data	25
9.3 Materials	27
9.4 Environmental Parameters	27

1 General

1.1 Information about the user manual

This user manual contains important information about the handling of the product. In order to ensure safety when using the product, read the user manual carefully and follow the safety instructions.

The position specifications (A, B, C, etc.) in the handling instructions always refer to the preceding figure.

1.2 Symbols in this user manual

In this user manual, warnings are marked with symbols. The title next to the warning symbol indicates the level of danger.



WARNING

Indicates a dangerous situation which could lead to death or serious injury if not avoided.



CAUTION

Indicates a dangerous situation which could lead to minor injuries if not avoided.



IMPORTANT

Indicates a dangerous situation which could lead to damage if not avoided.



Useful tips, recommendations and information to ensure efficient and smooth operation.



This product complies with the directive 93/42/EEC for medical products. The launch date for this product is specified in the CE declaration of conformity.



Manufacturer

1.3 Warranty

We provide a manufacturer's warranty for the product in accordance with our General Terms and Conditions of Business in the respective countries. Warranty claims can only be made through the provider from whom the appliance was obtained.

Covers and suction cups are excluded from this.

1.4 Standards and regulations

Quality is of the utmost importance for our company; all processes are based on the ISO 9001 and ISO 13485 standards.

This product features the CE mark, in compliance with the Medical Device Directive 93/42/EEC Class 1.

The product meets the requirements of the standards EN ISO 14971 (Medical devices - Application of risk management to medical devices), DIN EN ISO 10535 (Hoists for the transfer of disabled persons - Requirements and test methods)*, IEC 60601-1 (Medical electrical equipment - Part 1: General requirements for basic safety and essential performance), IEC 60601-1-2 (Medical electrical equipment - Part 1-2: General requirements for basic safety and essential performance - Collateral standard: Electromagnetic disturbances -

Requirements and tests) and DIN EN ISO 10993–1 (Biological evaluation of medical devices, to prevent allergic reactions).

*The bath lift has a lift capacity greater than 1.5 times the nominal load.

Invacare® is continuously working towards ensuring that the company's impact on the environment, locally and globally, is reduced to a minimum.

- We comply with the current environmental legislation (e.g. WEEE and RoHS directives).
- We only use REACH compliant materials and components.

For further information please contact Invacare® in your country (for addresses, see back page of this manual).

1.5 Intended use

Bath lifts facilitate respectively allow the entry into and exit from the bathtub. They are intended solely as a bathing aid for people with reduced mobility. Any other use is prohibited. The bath lift is intended for use in hospitals, care facilities and in the private, domestic area.

Indications

- Significant reduction in function/missing functionality of the upper and/or lower extremities (such as amputations, paralysis, joint disorders, neuromuscular disorders with impairment of the extremities), when a independent entry into and exit from the bathtub respectively sitting down and up is no longer possible. Trunk control and basic functional capability of the extremities must still be sufficient.

- Chronic consequences of illness with functional limitations of the upper and/or lower extremities, that no longer permit an independent bathing, however when a largely independent bathing is possible by the use of the bath lift and other bathing aids for compensating the disability are not sufficient.

Contraindications

There are no contraindications associated with proper use.

1.6 Service life

The expected service life is five years, presuming that the product is used daily and in accordance with safety instructions, maintenance instructions and intended use, stated in this manual.

2 Safety

2.1 Safety information



WARNING!

- Do not use this product or any available optional equipment without first completely reading and understanding these instructions and any additional instructional material such as user manuals, service manuals or instruction sheets supplied with this product or optional equipment. Invacare product manuals are available on the internet or at your local dealer (Addresses are displayed on the back cover of this manual).
- If you are unable to understand the warnings, cautions or instructions, contact a healthcare professional, dealer or technical personnel before attempting to use this equipment – otherwise, injury or damage may occur.



WARNING!

Risk of injury

- Do not use if defective.
- In the event of a malfunction, contact your dealer immediately.
- Do not make any unauthorized changes or alterations to the product.
- Only use accessories and spare parts intended for this product.



WARNING!

Risk of injury

- Never stand on the bath lift to get into or out of the bathtub, do not use it for climbing or descending, as a lifting platform or for any similar purpose.



IMPORTANT!

The information contained in this document is subject to change without notice.

- Check all parts for shipping damage and other damage or other conspicuous features.

2.2 Safety information on electromagnetic compatibility

This product was successfully tested to international standards for its electromagnetic compatibility. However, electromagnetic fields such as those generated by radio and television transmitters, radio equipment and mobile telephones, can influence the operation of products with electrical drives. The electronics used in this product can also cause weak electromagnetic interference but this lies below the statutory limits. You should therefore observe the following warnings:



CAUTION!

Electromagnetic interference

Wireless communications equipment such as WLAN routers, mobile phones, cordless telephones and their base stations or walkie-talkies can affect this equipment.
 – Make sure that such devices are kept at least in a distance of 2 m away from the bath lift.



CAUTION!

Electromagnetic interference

Electromagnetic interference could cause the device to stop suddenly or (though this is extremely unlikely) to start moving of its own accord.
 – Switch off the external device and/or your Invacare® product if you notice such behavior.
 – If other electrically operated medical products cause a interference or are themselves disrupted, switch off your Invacare® product and contact your dealer.

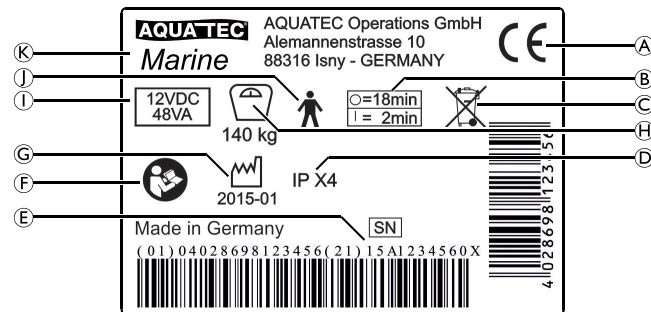


Guidance and manufacturer's declaration relating to electromagnetic emission and immunity are available on request from Invacare® in your country.

2.3 Labels and symbols on the product

Identification label

The identification label contains important information:



Ⓐ	Conformity mark
Ⓑ	Interval of use (continuous operation of the engine is not allowed): max. 2 minutes continuous use followed by a 18 minute break
Ⓒ	Note (disposal)
Ⓓ	Type of protection
Ⓔ	Serial device number
Ⓕ	Note (observe accompanying documents)
Ⓖ	Production date
Ⓗ	Load capacity
Ⓘ	Nominal voltage/rated power
Ⓝ	Type B applied part
Ⓚ	Device designation



The identification label is applied to the back of the backrest.

3 Setup

3.1 Safety information



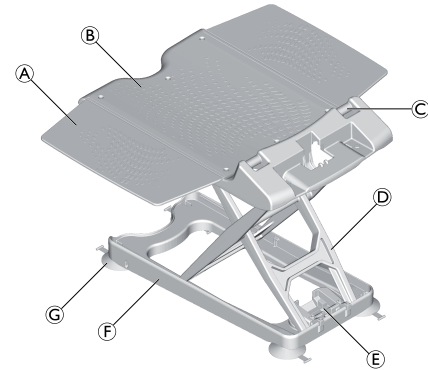
IMPORTANT!

- Check the parts for transport damage before commissioning and contact the dealer if required.
- Ensure during assembly that the parts are positioned correctly with respect to one another.

3.2 Scope of delivery

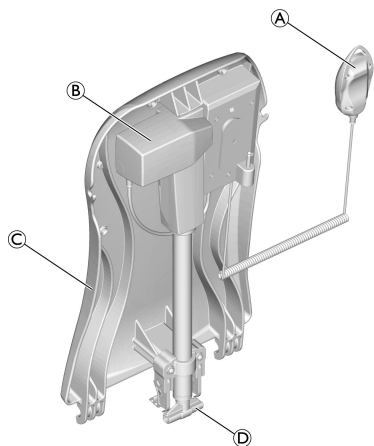
A seat and backrest cover is optionally available.
The following components are included in the scope of delivery:

Seat



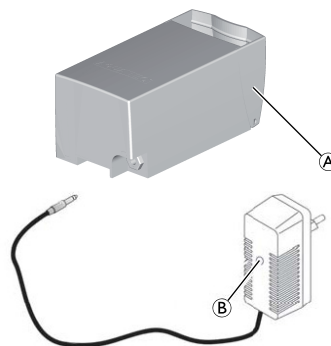
(A)	Side flap
(B)	Seat plate
(C)	Hinge for backrest
(D)	Lifting scissors
(E)	Spindle foot retainer
(F)	Base frame
(G)	Suction cups (two tabs with thread) (4x)

Backrest



(A)	Hand control with spiral cable
(B)	Drive
(C)	Plate, backrest
(D)	Spindle foot

Battery and charger



(A)	Battery
(B)	Charger

3.3 Setting up the bath lift



WARNING!

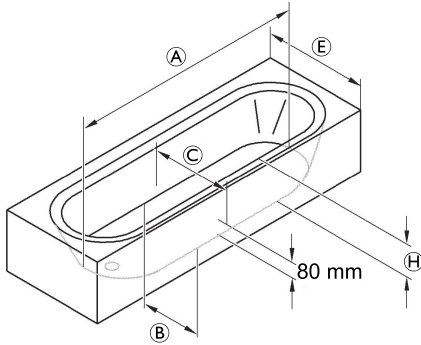
Risk of slipping!

The bath lift can slip if the suction cups do not have a proper hold.

- Clean the bathtub and the suction cups with a damp cloth before setting up the bath lift.
- Do not change the position of the bath lift in the bathtub once it is set up.

**WARNING!****Risk of injury and damage!**

- Only set up the bath lift in bathtubs that comply with the specifications of the following table.
- Only use the bath lift in bathtubs with frontal overflows.

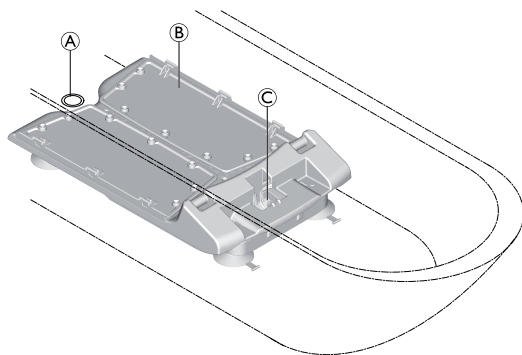


Ⓐ	Tub length, bottom (inside)	≥ 31.2"
Ⓑ	Tub width, bottom (inside)	min. 10.9"
Ⓒ	Tub width, at 3.1" in height (inside)	≥ 16.7

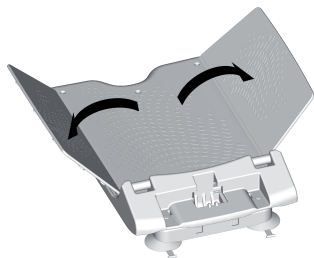
Ⓔ	Tub width (outside)	27.3"- 28.8"
Ⓕ	Tub height (inside)	≤ 16.3"

**IMPORTANT!**

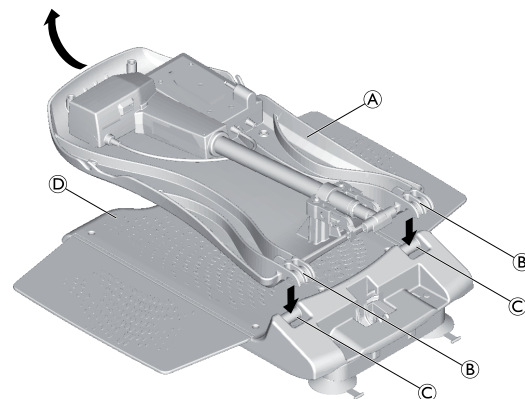
- Ensure that the suction cups are mounted.
- Ensure that the battery is charged.
- Ensure that the spindle foot is fully inserted.
- When lifting bath lift components, remember to correctly assess the weights. See section 9.1 Dimensions and weight, page 25.
- Fold the side flaps outwards before raising the backrest.



1. Place the seat ② on the bottom of the empty bathtub. Ensure that the spindle foot retainer ③ is pointing towards the end of the bathtub opposite the drain ①.



2. Fold the side flaps of the seat outwards.



3. Place the backrest ① (without the battery) onto the seat so that the hooks ② of the backrest fit into the hinges ③ of the seat plate ④.



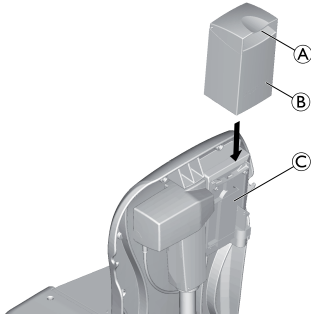
IMPORTANT!

Risk of damage!

Damage to the product caused by the spindle foot slipping out.

- Ensure that the spindle is fully retracted and the spindle foot is level and not twisted, before folding up the backrest.
- Once the backrest is folded up, ensure that the spindle foot is in the spindle foot retainer.

4. Hold the backrest at the center of the head end and carefully lift it into the end position.



5. Hold the charged battery **B** by the grip **A** and insert it into the guide **C** of the backrest from above.
6. Push the battery completely down.

The battery should click into place.

The bath lift is now ready for use.

! **IMPORTANT!**
Risk of damage

- Make sure that the backrest does not touch the bath tub edge.
- Place the bath lift further forwards in the bath tub, if necessary.

3.4 Charging the battery

The bath lift cannot be used when the battery is charging.



WARNING!

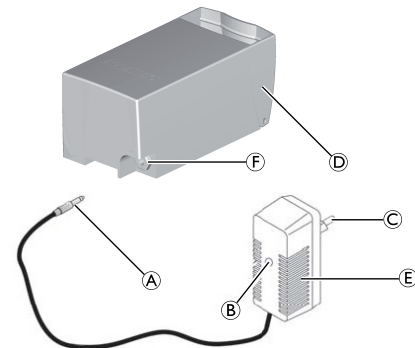
Risk of electric shock

- Only recharge the battery in dry rooms at room temperature (15 °C to 25 °C) and never in the bathroom.



IMPORTANT!

- Only use the supplied charger to charge the battery.
- Make sure that the voltage specifications shown on the charger correspond to those of the mains supply.
- Only connect the charger to mains supply when the battery is connected to the charger.



1. Insert the jack plug **A** of the charger **E** into the jack socket **F** of the battery **D** until it engages.
2. Insert the mains plug **C** of the charger into a power socket.



The charging indicator ⑧ lights red while the battery is charging and changes to green when charging is finished. It is not possible to overcharge the battery.

3. Disconnect the charger from the power socket.
4. Pull the jack plug of the charger out of the jack socket of the battery.

4 Usage

4.1 Safety information



CAUTION!

Overloading the bath lift can lead to damage to the device or prevent lifting.

- Do not overload the bath lift and observe the specifications on the identification label and in section 9.1 Dimensions and weight, page 25 with regard to its load capacity.



CAUTION!

Danger of pinching fingers

- Do not insert fingers into the guide between the seat plate and the backrest.
- Do not reach under the seat plate or between the lifting scissors.



IMPORTANT!

Moisture may penetrate into a damaged hand control, which could lead to failure of the device.

- Always perform a visual inspection of the product for external damage before each use.
- If the housing of the hand control is damaged or shows cracks, do not use the hand control.



IMPORTANT!

- Recharge the battery completely before each use, 3.4 Charging the battery, page 13.

1. Refer to operating conditions in section 9.4 Environmental Parameters, page 27.

4.2 Controlling the bath lift

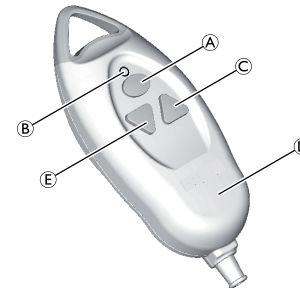
The bath lift can be moved in the following directions:



The bath lift is controlled via the hand control, either by the user or an assistant.



With a fully charged battery, the bath lift can perform 22 bathing operations with a load of 308 lb.



! **IMPORTANT!**
Risk of damage

- The hand control may only be used when the backrest is properly installed and in the upright position.


! **IMPORTANT!**

- If the battery is not sufficiently charged, the indicator lamp **ⓑ** lights up red when the Down button **Ⓔ** is pressed. In this case, the lowering function of the bath lift is disabled. You can however still raise the lift.
- Recharge the battery immediately after raising it.

Raising the bath lift

! **IMPORTANT!**

- If the backrest is lowered, it will move into the upright position first.

1. Press the Up button **Ⓒ** on the hand control and keep it pressed.
The backrest moves into the upright position or the seat moves upwards.
 When moving the backrest into the upright position, slight crackling noises are possible.
2. Release the Up button on the hand control.
The bath lift stops in the current position.

Lowering the bath lift

! **IMPORTANT!**

- If the seat is already lowered, the backrest lowers towards the rear.

1. Press the Down button **Ⓔ** on the hand control and keep it pressed.
The seat moves downwards or the backrest lowers towards the rear.
2. Release the Down button on the hand control.
The bath lift stops in the current position.

Emergency stop button

! **IMPORTANT!**

- Only press the emergency stop button **Ⓐ** if the device does not stop immediately when the Up or Down button is released (e.g. if a button jams). The bath lift stops moving immediately and the red light integrated in the hand control flashes briefly.

If the lifter no longer responds when pressing the Up or Down buttons after releasing the emergency stop button, the error has not been corrected. The device is not ready for use and must be repaired, for example, in case of an electronic damage.



Contact Clarke Health Care, if necessary.

4.3 Bathing



WARNING!

Risk of slipping!

The bath lift can slip if the suction cups do not have a proper hold.

- Before using the bath lift ensure that it is securely positioned and cannot tip over.
- Ensure that the bath lift is set up in the bathtub like described in section 3.3 Setting up the bath lift, page 10.



WARNING!

- If your condition means that you cannot take a bath on your own, only use the device with supervision.
- If operating the device without supervision, make sure to have an alarm system or telephone within reach in case of unforeseen events (e.g. malfunctions).



CAUTION!



Bath oils or salts can impair the performance of the lifting scissors.

- If using such bath additives, do not exceed the recommended dose.




IMPORTANT!

- Run the unloaded lift once to the top and then back to the bottom (function test).
- Before using, check the temperature of the bath water.

1. Press and hold the Up button  on the hand control until the seat is level with the edge of the bathtub.
2. Make sure that the side flaps are level with the seat plate and rest flat on the edge of the bathtub (initial position).
3. Fill the bathtub with water.
4. Sit on the side flap nearest to you as you would on a chair.
5. Slide backwards until you are sitting in the middle of the seat.
6. Turn yourself into the bathing position, by lifting one leg and then the other over the edge of the bathtub.
7. Once you are sitting correctly, press the Down button  and hold it down to lower the seat into the bathtub.




Once the seat has reached the lowest position, it is possible to recline the backrest by continuing to hold the Down button . This produces a more comfortable bathing position and allows you to immerse yourself deeper in the bath water.

8. Keep the Down button pressed until the backrest has reached the desired position.



To get out of the bathtub, follow these steps in reverse order.

9. To raise the backrest or the bath lift, press the Up button  and keep it pressed until it has reached the desired or initial position.



The hand control can be hung on the hooks at the backrest when not in use.



IMPORTANT!

– Remove the battery when not used constantly.

5 Transport

5.1 Safety information



CAUTION!

The backrest is not locked on the seat when it is folded together and can come apart.

- Disassemble the bath lift into two sections for transport (base frame with seat plate and backrest). See chapter 5.2 Removing the bath lift, page 19.



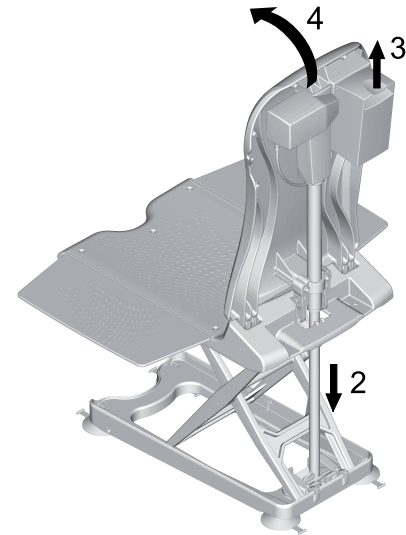
IMPORTANT!

Risk of damage

- Do not remove the suction cups when transporting the bath lift.
- Remove the battery from the backrest for transport.
- Refer to the storage and shipping conditions in chapter 9.4 Environmental Parameters, page 27.

5.2 Removing the bath lift

1. Let the water out of the bathtub.
2. Lower the bath lift using the Down button until the backrest stops in the lowered end position, see 4.2 Controlling the bath lift, page 15.



IMPORTANT!

- Grasp deep into the grip so that you can hold the battery safely.

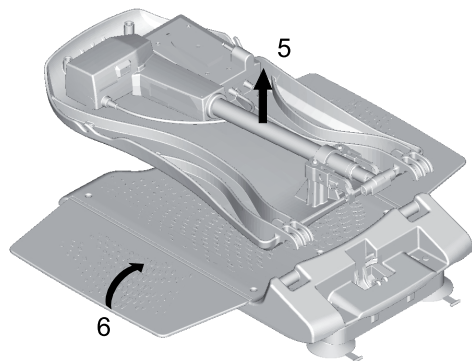
3. Unlock the battery by pulling the grip up slightly and pull the battery upwards out of the guide.

4. Hold the backrest at the head end with one hand and slowly fold the backrest all the way forward.



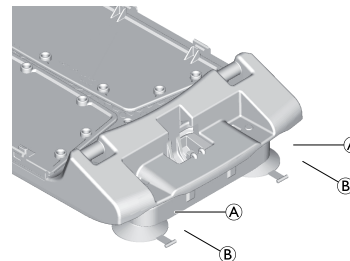
IMPORTANT!
Risk of damage

- When folding the backrest down, ensure that the spiral cable of the hand control does not get caught.
- Before folding the backrest down, ensure that the backrest is completely in the lowered position.
- Do not fold the backrest down if there is water in the bathtub.



5. Pull the backrest up off the seat and out of the bathtub.

6. Fold the side flaps of the seat inwards.



IMPORTANT!

- Release both rear suction cups simultaneously.

7. Release the rear suction cups Ⓐ by pulling up on the protruding tabs Ⓑ.
8. Lift the rear of the seat slightly. This releases the front suction cups.



IMPORTANT!

- If the height adapters have been installed (optional), you also have to pull the tabs of the front suction cups to release them.

9. Take the base frame with seat plate out of the bathtub.



Make sure that all suction cups are detached before taking the seat out of the bathtub.

10. Carefully stow all components of the bath lift.

6 Maintenance

6.1 Maintenance and servicing

If the above cleaning and safety notices are observed, the product will be maintenance free.

! IMPORTANT!

The hand control may only be opened by the manufacturer of the bath lift.

1. Check the product regularly for damage and to ensure that it is securely assembled.
2. In the event of damage and/or necessary repairs, contact the dealer immediately.
3. The bath lift must be checked by an authorized dealer before every re-use or after 24 months at the latest (see Manufacturer's recommendation for rehab products of the SPECTARIS industrial association).
4. If the bath lift is not used for a prolonged period, charge the battery completely and then raise and lower the bath lift 3 times without load. Repeat this process every 3 months. This helps to maintain the service life of the battery.

6.2 Cleaning and disinfection

The product can be cleaned and disinfected using commercially available agents.

1. Disinfect the product (seat, backrest and covers) by wiping down all generally accessible surfaces with disinfectant (after disassembling the product, if possible).

! IMPORTANT!

All cleaning agents and disinfectants used must be effective, compatible with one another and must protect the materials they are used to clean.

- For further information on decontamination in Health care Environments, please refer to 'The National Institute for Clinical Excellence' guidelines on Infection Control www.nice.org.uk/CG139 and your local infection control policy.
- Clean the product regularly by hand.
- Do not use abrasive cleaning agents.

Cleaning the seat and backrest



CAUTION!

Risk of getting fingers caught

- Be especially careful when cleaning in the area of the lifting scissors, as they may move and cause injury.

! IMPORTANT!

Risk of damage

- Never use a high-pressure cleaner to clean the backrest.

1. Wash the product with a cloth or a brush.
2. Rinse the product with warm water.
3. Dry the product with a cloth.

Cleaning the covers (optional)

1. Unbutton the covers from the seat and backrest.
2. Wash the covers in a washing machine at max. 140°F using a mild detergent.



IMPORTANT!

Risk of damage

- Washing at high temperatures can cause shrinkage.
- Do not dry covers in the tumble dryer.

Cleaning the charger and battery



WARNING!

Risk of electric shock!

- Always disconnect the plug from the power socket before cleaning the charger.
- Never insert objects made of conductive material (e.g. knitting needles, metal pins) into the jack socket of battery.
- Never use a wet or damp cloth to clean the charger and the battery.

1. Clean the charger and the battery with a dry cloth.
2. Wipe down the hand control with a damp cloth and wipe dry with a cloth.

7 After Use

7.1 Storage

**IMPORTANT!****Risk of damage**

- Do not store the product near heat sources.
- Do not expose the product to direct sunlight.
- Refer to the storage and shipping conditions in section 9.4 Environmental Parameters, page 27.

7.2 Re-use

The product is suitable for repeated use. The number of times it can be used depends on how often and in which way the product is used. Before re-use, clean and disinfect the product thoroughly (see 6.2 Cleaning and disinfection, page 21), check the safety functions and reset if necessary.

7.3 Disposal

The disposal and recycling of used products and packaging must be conducted in accordance with the applicable statutory regulations.

**WARNING!**

- Never throw the battery into a fire or store it near naked flames.

This product contains a rechargeable lead battery. Discharged batteries or those which can no longer be recharged must not be disposed of in domestic waste. Old batteries may contain hazardous substances which could be a danger to the environment and public health.

Return such batteries to your retailer or to your municipal collection point. Returning them is free of charge and is required by law.

Only throw discharged batteries into the containers provided.

8 Troubleshooting

8.1 Identifying and repairing faults



The following table provides information on malfunctions and their possible causes. If you cannot correct the malfunction using the remedies named, contact your dealer directly.

Fault	Possible cause	Remedy
No motor noise audible/lift does not move.	Jack socket of the hand control is not locked correctly.	Lock the jack socket. See 3.3 Setting up the bath lift, page 10.
	Battery is flat.	Recharge the battery completely. See 3.4 Charging the battery, page 13.
	Contacts are dirty.	Clean the plug on the backrest. Contact your dealer, if necessary.
	Cable is crushed/damaged.	Replace the hand control. Contact your dealer, if necessary.
The lift can be raised but not lowered.	Low-voltage protection is activated.	Recharge the battery completely. See 3.4 Charging the battery, page 13.
The lift stops while being raised.	Excessive load.	Observe maximum load. See 9.1 Dimensions and weight, page 25.
The bath lift is not adhering securely to the bathtub.	Suction cups are old or damaged.	Replace the suction cups. Contact your dealer, if necessary.
Battery is not charging and the red indicator light flashes during charging.	Faulty fuse.	Have your authorized dealer check the hand control.
	Faulty battery.	Replace the hand control.
	Faulty charger.	Have your authorized dealer check the charger.
LED lights up while lifting the bath lift.	Battery nearly empty.	Recharge the battery completely. See 3.4 Charging the battery, page 13.

9 Technical data

9.1 Dimensions and weight

Total length at lowest position	34.7"
Total length at highest position	24.5"
Total height at highest position	41.3"
Seat depth	17.5"
Seat width with side flaps folded out	27.8"
Seat width with side flaps folded in	14.4"
Seat height at lowest position	2.3"
Seat height at highest position	16.3"
Backrest width	14.4"
Minimum angle of backrest	8°
Base frame width	10.3"
Max. load	308 lb
Total weight without battery	22 lb.
Seat weight	12.1 lb.
Backrest weight	9.9 lb.
Battery weight	3.5 lb.
Charger weight	.2 lb.

9.2 Electronic data

Battery operating voltage	12 V DC / 3 Ah
Rated input power	48 VA
Rated current	4 A
Fuse	5 A, slow
Battery type	Lead battery
Charger output	12 V DC, 400 mA
Charger input	Min. 90 V AC / 47 Hz Nom. 100–240 V AC / 50 Hz/60 Hz Max. 264 V AC / 63 Hz
Charge time from low-voltage warning	approx. 5 h
Type of protection, drive	IP X6 W ¹⁾
Type of protection, hand control	IP 67 ²⁾
Type of protection, entire device	IP X4 ³⁾
Sound power level	52 dB(A)


¹⁾ Protected against the penetration of water in the event of strong jets of water, tested under simulated weather conditions.

Aquatec® Marine

- 2) Dust-proof and protected against the penetration of water during temporary immersion.
- 3) Protected against the penetration of water that splashes from any direction against the housing.

9.3 Materials

Backrest	PPGF
Seatplate	PPGF
Covers	PVC

 All materials used are corrosion resistant and latex free.

9.4 Environmental Parameters

Operating conditions	
Ambient temperature	10 - 40 °C
Relative humidity	15 % - 93 %, non-condensing
Atmospheric pressure	795 - 1060 hPa
Storage and shipping conditions	
Ambient temperature	0 - 40 °C
Relative humidity	30 % - 75 %, non-condensing
Atmospheric pressure	795 - 1060 hPa

Notes

©2017 Invacare® Corporation

All rights reserved. Reproduction, duplication or modification in whole or in part is prohibited without prior written permission from Invacare. Trademarks are identified by ™ and ®. All trademarks are owned by or licensed to Invacare Corporation or its subsidiaries unless otherwise noted.

Distributors:

USA:
Clarke Health Care Products 7830
Steubenville Pike
Oakdale, PA 15071, USA
Toll Free: (888) 347-4537
Fax: (724) 695-2922
email: info@clarkehealthcare.com
www.clarkehealthcare.com



Aquatec Operations GmbH
Alemannenstrasse 10
D-88316 Isny
Germany

CHP74

AQUATEC



Yes, you can.