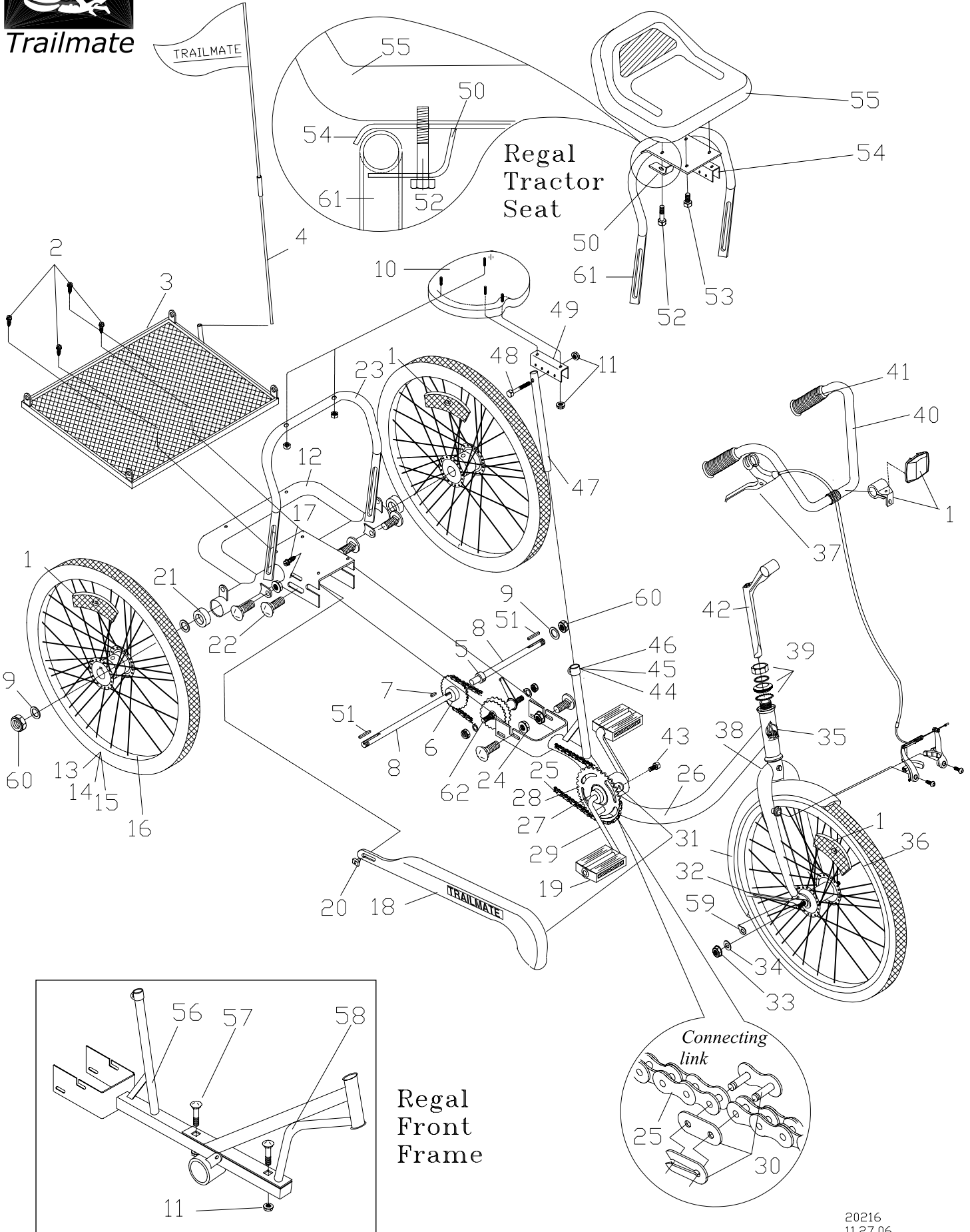


DESOTO/REGAL HAULER ILLUSTRATED PARTS BREAKDOWN



DESOTO/ REGAL HAULER

PARTS LIST

Item	Part #	Description	QTY	Item	Part #	Description	QTY
1	11871	REFLECTOR KIT TRIKE	1	32	11764	FENDER BRACE 24" MWT	1
2	12199	SCREW #14 x 3/4	4	33	12176	NUT5/16-24 HEX	2
3	20080	PLATFORM REAR WELDMENT	1		19002	NUT 3/8-24 FLANGED (MAG WHL ONLY)	2
4	12102	FLAG SAFETY W/POLE	1	34	12236	WASHER 5/16 SAE	2
5	12241	SET COLLAR 5/8	2		12301	WEASHER3/8 SAE	2
6	11952	SOLID SPROCKET 22T	1	35	11718	DECAL TM HEAD	1
7	12246	3/16 SQUARE KEY X 5/8	1	36	18240	WHEEL, 24"X1.75"WHITE MAG FRONT	1
8	19869	AXLE DRIVE W/2KEYWAYS	2		20158	WHEEL, 24"X1.75"ALLOY FRONT	1
9	12240	WASHER SPACER	4	37	20019	BRAKE-V CANTILEVER COMPLETE	1
10	11894	SEAT WESTERN SADDLE DESOTO	1	38	19337	FORK, 24" MWT CANTILEVE ST COLOR	1
11	12175	NUT 5/16-18 FLANGED	6	39	11831	HEAD SET, COMPLETE	1
12	14272	FRAME REAR ST COLOR	1	40	11805	HANDLEBAR, HI RISE	1
13	11961	TIRE 24" X 1.75 BSW	3	41	11801	GRIP BLACK 7/8	2
14	11976	TUBE, 24"X1.75"	3	42	11813	STEM, HANDLEBAR	1
15	11985	RIMSTRIP24"X1.75"	3	43	12188	SCREW 10X3/8 TYPE B SHH	1
16	18239	WHEEL,24"X1.75"X.MAG REAR	2	44	13225	CLAMP BOLT M8X38MM	1
	20159	WHEEL,24"X1.75"X ALLOY REAR	2	45	13226	CLAMP WASHER M8 FLAT	1
17	18714	SCREW 8X1/2 PAN PHIL	1	46	13227	CLAMP NUT M8 HEX	1
18	11708	CHAINGUARD DESOTO ST COLOR	1	47	12076	POST 9" SEAT	1
	11709	CHAINGUARD REGAL ST COLOR	1	48	12212	SCREW 5/16-18X1-1/2 HHCS	1
19	11857	PEDALS, 1/2" (PAIR)	1	49	11898	BRACKET, WESTERN SADDLE	1
20	13198	SCREW GROMMET	1	50	12066	BRACKET "L" REGAL	2
21	11643	BEARING SP	4	51	20012	KEY SQUARE 3/16 x 1-1/4	2
22	12218	CARRIAGE BOLT 3/8-16X3/4	6	52	12214	SCREW 5/16-18X1-3/4 HHCS	2
23	12075	SISSY BAR DESOTO ST COLOR	1	53	12208	SCREW 5/6-18X3/4	2
24	12178	NUT 3/8-16 FLANGE	6	54	12068	BRACKET SEAT MOUNTING REGAL	1
25	18643	CHAIN, 93 PITCH DESOTO	1	55	11900	SEAT, REGAL TRACTOR	1
	11682	CHAIN 107 PITCH REGAL	1	56	14271	FRAME REGAL MID ST COLOR	1
26	14268	FRAME DESOTO FRONT ST COLOR	1	57	12211	CARR. BOLT 5/16-18X1-3/4	2
27	11697	CRANK BEARING SET, COMPLETE	1	58	14270	FRAME REGAL FRONT ST COLOR	1
28	11934	SPROCKET 36T 1/2X1/8	1	59	18867	FORK WHEEL RETAINER	2
29	11695	CRANK 5-1/2" (24" TRIKE)	1	60	19720	NUT 5/8-18 NYLON INSERT	2
30	11679	CONNECTING LINK	1	61	12070	SISSYBAR REGAL ST COLOR	1
31	11747	FENDER '24" MWT FRONT	1	62	12111	COASTER BRAKE KIT	1

TOOLS NEEDED
 3/8" WRENCH
 COMMON SCREWDRIVER
 AIRPUMP

1/2" WRENCH
 PLIERS
 PHILLIPS SCREWDRIVER
 AIR GAUGE

9/16" WRENCH
 5/32" ALLEN WRENCH
 HAMMER
 15/16 WRENCH

1. Preparation

Remove all parts from the frame and wheel cartons. Check air pressure and inflate tires to 35 psi. Make sure tires are properly seated on rims.

2. Rear Frame and Wheels

Loosen set collars (5) on the axles inside the transmission box. Slide set collars to the end of the axles and retighten. Slide the axles outward for wheel installation.

Install drive and non drive side wheels. Align wheel-axle keyways and tap 1-1/4" key square (51) into keyways. Install washer (60), and 5/8" nylon lock nut (5) on axles.

IMPORTANT; Make certain the axle thread fully engages the nylon locking portion of nut. Loosen axle set collar, remove all axle endplay, and tighten set collar.

Install non-drive side wheel. Install washer (9) and 5/8" nylon lock nut (60) on axle. **IMPORTANT;** make certain the axle thread fully engages the nylon locking portion of nut. Loosen non-drive wheel set collar, remove all axle endplay, and retighten set collar (5).

If there is any side-to-side movement of the axles, loosen setscrew in collars, slide collars to eliminate excess side movement, and retighten setscrews.

3. Frame Assembly

Slide front frame (26) into rear frame (12) with transmission box open side down, as far as possible. Install four 3/8" carriage bolts (22) through the slots in the sides of the transmission box from the outside inward. Be sure the square shoulders of the bolts seat into each slot. Install flange nuts (24); **do not tighten at this time.**

4. Front Fender and Wheel

Install front wheel in the slots in the fork. Install fork wheel retainers (59); make certain the tabs on the washers are seated into the holes in the fork. Insert bolt through center hole in fork. Slide the fender bracket over the bolt, install washer & hand tighten

nut. Place the fender brace (32) over wheel axle ends. Install washers (34) & nuts (33) on wheel axle.

Check that the wheel is centered between the fork blades; tighten nuts.

5. Pedals

To install pedals (19), screw the pedal marked "R" into the right side of the crank in a clockwise direction. Install the left pedal (marked "L") by turning in a counter-clockwise direction. Use a 9/16" open-end wrench to tighten.

6. Chain

Install drive chain (25) over front and rear sprockets and join together with connecting link (30). Install connecting link, and spring clip, using pliers. Slide the frame section apart, evenly, until the chain is tight (approximately 3/4" total up and down chain movement at middle is permissible) and securely tighten all four rear frame bolts. Rotate the pedal several times to check that the chain is running freely.

-KEEP FINGERS CLEAR!

If binding is encountered, the chain may have to be loosened until the binding is eliminated. Chain binding is usually the result of a sprocket misalignment. Repositioning the sprocket on the rear axle, or re-squaring the trike rear to the front frame section can correct this.

7. Chain Guard

To install chain guard (18), place over chain and slide rear of guard under top of transmission box. When the plastic screw grommet (20) on the rear of the guard is lined up with the slotted hole in the side of transmission box, secure with screw (17). Before tightening it is necessary to line up the holes in the front mounting bracket. Remove and reinstall screw (43) and tighten. Tighten the rear screw. Turn the pedals to make sure the chain does not rub on the chain guard. If the chain rubs, adjust the back or front mounting bracket to obtain clearance.

8a. Western Saddle Seat

To install western saddle seat (55), secure sissy bar (61) to the two 5/16" studs on the underside of the seat. The sissy bar should be installed so the top curves to the rear of the trike.

Remove the seat-mounting bracket (49) (it is loosely installed on the seat post) and install on the two remaining studs on the bottom of the seat. You will need to use a 1/2" socket wrench to reach the nut. Secure the seat mounting bracket and seat to the seat post (48) using any of the four sets of holes with the 1-1/2" long screw (52) and nut (11). **NOTE:** The four sets of holes in the seat-mounting bracket will determine the distance from the handlebar. You may have to reposition later. Attach the sissy bar long slotted holes to the two tabs welded to the axle housing. Install carriage bolts (22) and attach nuts (24). **DO NOT** tighten at this time.

Seat Adjustment

Loosen clamp hardware (44,45,46) on the seat post and raise seat to desired height. **DO NOT** expose more than 6-1/2" of seat post. Pull up on back of seat until level. Tighten seat post clamp and sissy bar bolts securely. **NOTE:** The four sets of holes in the seat-mounting bracket allow 3-1/4" front/back adjustment to the handlebar. Reposition height & front back setting for rider's maximum comfort.

9. Handlebar

Slide the handlebar (40) through the clamp on the stem (42) with the portion containing the long bolt to the rear of handlebar. Install clear reflector. Install the stem into the fork (38) until the line marked on the stem is not visible. Align handlebar to the fork as it faces straight ahead and tighten bolt in stem firmly.

DO NOT over tighten; this can damage the fork tube. **CAUTION:** Check that head set (39) is tight.

DO NOT over tighten, however, as this can damage the fork bearings. Fork assembly should rotate freely. Slide handbrake lever onto right side of handlebar and tighten lightly. Slide hand grips (41) on handlebar until they bottom out. A small amount of soapy water inside the grip will make installation much easier. **NEVER** use oil or other lubricants! Slide handbrake lever against grip, adjust position and secure tightly.

10. Cantilever Brake Installation, and Adjustment

The front V-brake cantilever pad assembly comes attached to front fork. Unwrap the *brake lever cable* and insert the "ball" end into round slot in the brake lever. Slide open end of cable through cable guide. Install cable guide into cable guide holder. Slide cable boot onto cable (open end first). Feed the *brake cable wire* through the hole on the lock bolt (the cable clamp) and snugly tighten the clamp. Pull the slack out of the cable so that the brake pad faces are within 1/8" of the wheel rim & tighten. Refer to **cantilever v-brake setup** for final adjustment.

11. Platform

Place platform (4) onto rear frame, center between the rear wheels and immediately behind the sissy bar. Using sheet metal screws (2), secure the basket to the two holes in the rear frame crossover tube and two rear holes in the top of the transmission box. Tighten screws with a 3/8" socket wrench.

12. Reflectors and Safety Flag

*Steel Spoke Wheels

Install the clear wheel reflectors by placing between the spokes, as near the rim as possible. Locate the spoke in the reflector groove and secure with the plastic rivet-clip provided into reflector bolt bag. Repeat for other wheels.

Place the **Safety Flag** (3) in flag holder on the platform frame.

14. Final Check

Review the instructions, check connecting bolts and screws for tightness, and readjust the seat and handlebar as necessary.

REGULAR MAINTENANCE: Bi-Monthly

1. Keep all painted parts cleaned and waxed for a long-lasting luster.
 2. Spray all chrome parts with recommended protective spray coating (LPS-1, WD-40, etc.).
When spraying with protective coatings, it is recommended that you let parts set overnight so the coating will penetrate.
 3. Lubricate the following:
 - a. Pivot points at top and bottom of seat
 - b. Axle shafts
 - c. Inside bearings of both pedals
 - d. Chain – turn pedal crank forward and spray freely
 4. When storing over prolonged periods, turn upside down to prevent flat spots from occurring on the tires. If stored outside, cover to protect finish and moving parts.
-

PREVENTATIVE MAINTENANCE: Every Six Months

These are services that should be performed by your local bicycle shop. A fee may be charged.

1. Check tires for wear, rim cuts, and valve core alignment (usually caused by improper air pressure).
2. Check wheels for cracks and alignment.
3. Check brakes for proper operation.
4. Clean and repack all bearings and adjust all cones.
5. Check for worn bearings, cones, and cups.
6. Check chain for adjustment and clean as needed.
7. Check for loose bolts and nuts.

Attention: While your unit is new, some noises may occur when the unit is breaking in. Should they continue for more than 30 days, see your local bike shop.

INSPECTION

Check the following, as it applies to your cycle, on a regular basis:

1. Coaster brake – Make sure the brake engages, by pedaling backwards.
2. Wheels – Check wheels for alignment.
3. Pedals – Inspect pedal bearings and make sure pedal is tightly attached to crank.
4. Handle grips – Replace worn or loose grips.
5. Chain – Check for proper tightness. Replace damaged chain immediately.
6. Seat – Adjust seat for rider comfort and safety.
7. Tires – Keep tires inflated to the recommended tire pressure, as indicated on the tire's sidewall.
8. Chainguard – Replace damaged or missing chainguard immediately.
9. Frame – Replace damaged frame immediately.



Trailmate

1851 67th AVE East

Sarasota, FL 34243

Tel: (941) 755-5511

Fax: (941) 758-5141

Visit us @ www.trailmate.com

**For service or to order
replacement parts
please contact your
local Trailmate dealer.**

DESOTO-REGAL HAULER

This is a recreational unit, not designed for excessive speeds or misuse.

Do not brake or turn at high speeds. This may cause cycle to roll over. Careless operation may cause rider to lose control and result in **serious injury**.

Things to know before riding your cycle:

1. Know your local bicycle laws and wear a helmet.
2. Do not exceed the recommended weight limit of 350 lbs.
3. No more than one rider at one time.
4. Do not stand on unit.
5. Be sure to install safety flags.
6. Wear light-colored clothing and protective gear.
7. Do not ride at night.
8. Children must be supervised by an adult at all times.

Trailmate Limited Warranty

Trailmate, Inc., guarantees each cycle product against all defects in materials and workmanship for a period of 90 days from date of purchase. Tires and tubes are not covered by this guarantee.

During this period, any part that is judged by the makers to be defective will be replaced free of charge. Any failure resulting from accident, abuse, neglect, normal wear, or improper assembly or maintenance by the owner is not covered.

Trailmate, Inc., further authorizes a lifetime frame guarantee and will replace any frame, at no cost to the buyer, providing that item has not been used for rental use and that:

- 1) The item has not been altered, repaired, or modified in any way.
- 2) The item has not been subject to misuse, negligence, and/or an accident.
- 3) Original ownership is established.

Any parts under this guarantee on which claims are entered shall be returned for inspection with transportation charges prepaid by the claimant. Replacement parts will be shipped F.O.B. factory.

There are no warranties or guarantee, expressed or implied, written or oral, which extend beyond the description on the face hereof.