



# Operating Manual

## Model 48R Pedal Rocker



Full padding upgrade shown

**Distributor/Rep:** This manual must be given to the caregiver responsible for this chair and its occupant.

**Caregiver:** Before using this chair, read this manual thoroughly and save for future reference.

# Contents

FOREWORD .....	1
GENERAL INFORMATION .....	2
1 DEFINITIONS .....	3
2 SAFETY REQUIREMENTS .....	4
2.1 Training .....	4
2.2 Application .....	4
2.3 Shipping and Storage .....	4
2.4 Pre-Service Check .....	5
2.5 Hazards .....	5
2.5.1 Position of Chair - “Danger of Falling” .....	5
2.5.2 Position of Seat Tilt - “Danger of Tipping” .....	5
2.5.3 Location of Chair - “Danger of Tipping or Falling Objects” .....	5
2.5.4 Total Lock Wheel Brakes - “Danger of Falling” .....	5
2.5.5 Re-Positioning of Resident - “Danger of Clamping” .....	6
2.5.6 Unintended Movement - “Danger of Falling or Collision” .....	6
2.5.7 Resident Clothing - “Risk of Injury to Resident’s Skin” .....	6
2.5.8 Improper Restraint Use - “Risk of Serious Injury” .....	6
2.6 Improper Use .....	6
2.7 Cleaning .....	7
2.8 Maintenance .....	8
2.9 Resident Specific Instructions .....	9
3 OPERATION AND MOVEMENT .....	10
3.1 Rocking Function .....	10
3.2 Seat Tilt .....	10
3.3 Rocking Tension .....	11
3.4 Removable Wings .....	11
3.5 Shoulder Bolsters .....	12
3.6 Height Adjustable Armrests .....	12
3.7 Adjustable Seat Height .....	13
3.8 PAB BAR (Optional) .....	13
3.9 Casters .....	14
3.10 Accessories (Options) .....	14
4 INSPECTION AND FUNCTIONAL TESTING .....	15
4.1 Inspection .....	15
4.2 Functional Testing .....	15
5 TECHNICAL INFORMATION .....	16
5.1 Specifications .....	16
5.2 Labels .....	17
5.3 BRODA Seating 48R Pedal Rocker Parts Schematic Drawing .....	18
6 COMMON TROUBLESHOOTING AND REPAIR .....	20
6.1 Troubleshooting for Gas Cylinders .....	20
7 WARRANTY .....	22

## GENERAL INFORMATION

This document provides guidance on the safe and effective operation of the BRODA chair.

Information in this manual must be followed at all times.

Anyone involved with the operation or maintenance of the BRODA chair, including the resident's family members, must read this operating manual before using the chair.

The resident's primary caregiver is responsible for ensuring that anyone who is unfamiliar with, unwilling, or unable to adhere to the safety and operating instructions, is not permitted to operate or move the chair.

A copy of this instruction manual must always be available.

BRODA accepts no liability for damages, injury or accidents caused by operating errors, improper maintenance, or disregard of the instructions in this manual, including any resident specific instructions.

BRODA reserves the right to make changes to the specifications, dimensions, functions, or components of its products without notice. Product representations in this manual may vary from delivered products.

Each BRODA chair has a unique identifying serial number that must be maintained on the chair as well as with any equipment records.

# **1 DEFINITIONS**

“BRODA” means BRODA Enterprises Inc. doing business as BRODA Seating.

“BRODA chair” refers to Model 48R Pedal Rocker.

“Long-Term Care Institution” refers to a nursing home, hospital, or other healthcare facility that provides health and personal care to its residents on a long-term basis.

“Resident” refers to an individual living in a long-term care institution under the care of professional caregivers.

“Professional Caregiver” refers to doctors, nurses, therapists, nursing aids, healthcare aids, and other specialists who work in a long-term care institution and provide health and personal care to its residents.

“Caregiver” refers to any person in a long-term care institution who is appropriately trained to provide care or services to the resident or the chair used by the resident and may include the resident’s family members or guardian.

“Seat Tilt” refers to changing the relative angle between the chair’s seat and the chair frame or ground without changing the relative angle between the back and the seat.

“Transfer(s)” refers to the movement of a resident into or out of the chair with the assistance of their caregiver(s).

“Mechanical Transfer(s)” refers to the movement of a resident into or out of the chair with the assistance of their caregiver(s) using a patient lift or other assistive device that bears the weight of the resident.

## **2 SAFETY REQUIREMENTS**

### **2.1 Training**

**Before the chair is put into service, this manual must be read thoroughly by the caregiver(s) directly responsible for the resident's care.**

**After the chair is put into service, this manual must be read thoroughly by any new caregivers prior to operating or moving the chair.**

For the purpose of this manual, a resident's family member who shares responsibility for their care is considered a caregiver and is subject to the same competency before being permitted by the resident's primary caregiver to operate or move the chair.

Prior to first use, the customer must arrange for an in-service on the operation and safety requirements in this manual, must be given to the resident's caregivers by the local BRODA representative who supplied the chair.

The primary caregiver must maintain a list of caregivers who have read this manual and who they have authorized to operate and move the chair.

The resident's primary caregiver is responsible for ensuring that anyone who is unfamiliar with, unwilling, or unable to adhere to the safety and operating instructions, is not permitted to operate or move the chair.

The operations of the chair must be performed by the resident's primary caregiver who is responsible for seating. All The operations and adjustments performed should be done in a manner to ensure the overall safety, comfort and well-being of the resident, caregiver and third party. All operations and adjustments required for the resident should be determined by the resident's primary caregiver who is responsible for seating.

### **2.2 Application**

BRODA chairs are intended exclusively for residents of long-term care institutions who are under the care of professional caregivers. The suitability of a BRODA chair must be determined by a qualified caregiver who is familiar with the seating needs of the intended resident. Any other use of the chair is excluded from possible liability claims.

The Pedal Rocker is not to be used in the shower. The frame and components will rust, and will void the warranty.

The chairs are not explosion resistant and must not be used where there are flammable gases or liquids present (e.g., anesthetics, volatile solvents and cleaners, etc.)

BRODA chairs are designed for use with specific BRODA parts and accessories. The use of non-BRODA parts or accessories with a BRODA will void the warranty and is excluded from possible liability claims.

BRODA chairs may only be used as described in this manual and with proper regard for recognized healthcare and workplace safety and accident prevention practices.

### **2.3 Shipping and Storage**

BRODA chairs should be shipped and stored in an upright position and not stacked higher than 3 boxes. No other materials should be shipped or stored on top of a BRODA box. BRODA boxes should not be placed on pallets.

BRODA chairs should be shipped and stored at temperatures between -20°C and 40°C. BRODA chairs should not be used until they are between 0°C and 30°C.

BRODA chairs should be kept in a clean, dry environment. Do not leave BRODA chairs outdoors as it may cause the paint to peel.

Upon receipt, the shipping carton must be immediately examined for damage. Any damage should be noted on the delivery receipt and a request for inspection by the transportation company should be made. Next, the shipping carton should be opened and the chair must be examined for concealed shipping damage. If the chair appears to be damaged, do not use the chair. File a concealed damage report with the transportation company.

## **2.4 Pre-Service Check**

BRODA chairs are delivered fully assembled. If the chair does not appear to be ready to use upon receipt, immediately contact your supplier and do not put the chair into service until any concerns have been resolved.

Visually inspect the chair for damage, missing parts, and loose fasteners prior to testing the chair's functions. Functional testing must be successfully completed after visual inspection and before use. These obligations apply to the chair's first use and to all subsequent uses (Section 4: Inspection and Functional Testing).

## **2.5 Hazards**

### **2.5.1 Position of Chair - "Danger of Falling"**

After a resident is transferred into a chair, assess the amount of tilt required. We recommend that the chair's seat be tilted sufficiently to prevent the resident from sliding or falling forward off the chair. The amount of seat tilt used should be determined by the resident's caregiver who is responsible for seating.

### **2.5.2 Position of Seat Tilt - "Danger of Tipping"**

We recommend that the chair's seat be tilted sufficiently to prevent an agitated resident from tipping the chair forward or backward, or from slumping and sliding in the chair. The amount of seat tilt used should be determined by the resident's caregiver who is responsible for seating. Always ensure that the resident is properly positioned before operating the seat tilt.

### **2.5.3 Location of Chair - "Danger of Tipping or Falling Objects"**

We recommend that when a resident has been moved to their destination, the chair is placed where the resident cannot reach handrails or other objects, fixed or movable. This is to prevent the resident from pulling the chair over or pulling themselves off the seating surface and to prevent the resident from pulling movable objects onto the chair and themselves.

We recommend that the chair be used in a supervised area to prevent untrained residents, caregivers, or third parties from unauthorized operation, movement, or unsafe actions such as sitting or leaning on the reclined back, elevated footrest, or the armrests. These actions, if not prevented, put the chair at risk of tipping or damage to the chair.

We recommend that a chair only be located on a level surface to minimize the risk of tipping over.

### **2.5.4 Total Lock Wheel Brakes - "Danger of Falling"**

The special casters found on the BRODA chair have total lock brakes which prevent the wheels from turning and swiveling. The brakes must always be applied when:

- 1) the chair is not in use;
- 2) a resident is being transferred (moved) into or out of the chair.

It is important to note that if the wheel brakes are applied while the resident is in the chair, that the caregiver does not leave the resident unattended, especially those residents who have the capability or tendency to move the chair and/or those who may be agitated. This could cause harm to the resident if they attempt to move the chair while the wheel brakes are applied.

Note that removing and attaching the footrest may be easier for the caregiver with the brakes applied

Failure to follow these instructions will unnecessarily increase the risk of serious falls by residents, caregivers, or third parties caused by the chair unintentionally moving.

### **2.5.5 Re-Positioning of Resident - “Danger of Clamping”**

BRODA Pedal Rocker chairs offer the benefits of seat tilt and height adjustable arms. During the movement of any of these functions, the following safety measures must be observed:

- 1) The resident’s arms must be positioned on the armrests or inside the chair frame with their hands on their body or on.
- 2) Only one caregiver at a time attempts to operate the chair’s functions.
- 3) Only one chair function is operated at a time.
- 4) The residents’ and caregivers’ body are clear of all pinch points before operating the chair’s functions.

Failure to follow these safety measures can put the residents’ or caregivers’ limbs at risk of injury. Residents who may be unaware of their body position or unable to maintain a safe body position are at the most risk of the danger from clamping and caregivers should be more cautious with these residents. A second caregiver may be required to ensure the safety of these residents during these operations.

### **2.5.6 Unintended Movement - “Danger of Falling or Collision”**

We recommend BRODA chairs for indoor use within a long-term care institution and where there is not enough slope to cause the chairs to move unaided. Chairs used where the surface is uneven or sloped are at risk of unintended movement and could become a serious danger to the resident, caregiver(s), or a third party. We recommend that BRODA chairs are located away from stairwells, elevators, and exterior doorways within a long-term care institution.

Outdoor use is appropriate only under the strict supervision and full attention of a caregiver who is physically capable of preventing any unintended movement over any surfaces that are to be traveled on. We recommend that a second caregiver assist when the chair is moved over surfaces that could cause significant unintended movement.

### **2.5.7 Resident Clothing - “Risk of Injury to Resident’s Skin”**

We recommend that residents only be seated while they are fully dressed in clothing that meets the needs of their specific condition. If after being fully dressed, a resident’s bare arms, legs, or body could still come into direct contact with the vinyl straps or vinyl pads, we recommend the use of a covering, such the BRODA terry cloth covered seat and/or back pad or a folded cloth bed sheet to prevent direct contact. Direct contact of bare skin on the straps over a period of time could cause moisture on the resident, and/or cause the skin to stick to the straps. Prior to the operation or movement of a chair with a covering, the caregiver must ensure any covering placed on the chair does not come into contact with any moving parts and is securely placed, so not to slip.

### **2.5.8 Improper Restraint Use - “Risk of Serious Injury”**

We recommend that alternatives to physical restraints be used with residents while seated in the chair except under the specific instructions of the resident’s primary caregiver and with permission of the resident’s family or guardian. Physical restraints have been identified as a common cause of serious injury to residents while they are seated. We recommend that the primary caregiver responsible for seating first consider the re-positioning options available in the chair to reduce the risks of sliding, falling, or self-injury.

If a physical restraint is determined to be appropriate to prevent sliding or falling out of the chair, we recommend that the BRODA thigh belt be used. In all cases, it is the resident’s primary caregiver that must take responsibility for the safety of the resident if restraints are used.

## **2.6 Improper Use**

As outlined, the improper use of the chair is dangerous to the resident, caregivers, or third parties, and can consist of, but is not limited to the following:

- 1) Unauthorized operation of the chair’s functions.
- 2) Unauthorized movement of the chair.
- 3) Inappropriate use of the chair for a resident who has not been assessed by a qualified caregiver responsible for their seating.
- 4) Failure to frequently reposition the resident in the chair
- 5) Attempting to operate of multiple chair functions simultaneously by one or more caregivers.

- 6) Attempting to move the chair with the brake(s) applied.
- 7) Leaving the resident unattended in the chair near other objects.
- 8) Leaving an agitated resident in the chair in an unsupervised area.
- 9) Leaving a resident unattended.
- 10) Leaving a resident in a chair on a sloping surface.
- 11) Leaving a chair unattended on a sloping surface.
- 12) Using non-BRODA accessories on the chair.
- 13) Using the chair at temperatures below 0°C.
- 14) Using the chair as a shower or bathing chair.
- 15) Using the chair for any use other than its intended purpose.

## 2.7 Cleaning

BRODA chairs should be wiped clean with soap and water. Diluted household strength ammonia or chlorine based cleaner, as well as a hospital grade cleaner may be used if necessary.

Refer to the following guide for cleaning certain staining agents (Applies to the Permablok3® vinyl, as per the vinyl manufacturer's recommendations) The frame and components of the chair can be cleaned using the same procedure as the vinyl.

The steps below are also located in the Cleaning Guide found on the back of the Broda chair

<b>Staining Agent</b>	<b>Cleaning Procedure</b>
Eye Shadow / Mascara	Step 1
Grease / Suntan Lotion / Chocolate	Step 1
Blood / Bodily Fluids	Step 2
Red Lipstick	Step 2
Oil Base Paint / Tar / Asphalt	Step 3
Other Tough Stains	Step 4 or 5*

**Step 1:** Remove excess spill with a damp cloth. Clean with a 1:1 mix of Ivory® liquid and water. Rinse with clean water and dry.

**Step 2:** Use a straight application of concentrated cleaners such as Formula 409® or Fantastik® Spray Cleaner. Then wipe with a clean cloth. If using a hospital grade cleaner, follow the diluting instructions on the label.

**Step 3:** Use a 1:1 mix of ammonia and water or a 1:4 mix of bleach and water. Rinse with clean water and dry.

**Step 4:** Use a straight application of naphtha (lighter fluid). Rinse thoroughly with clean water and pat surface dry.

**Step 5:** Use a 1:1 mix of isopropyl alcohol and water. If the stain persists, use straight alcohol. Rinse thoroughly with clean water and pat dry. If the stain remains, use a 1:1 mix of acetone and water. Rinse with clean water and pat surface dry.

**\*Note:** for cleaning that requires steps 4 or 5 – Use a soft cotton cloth saturated with the cleaning material and rub the stain in circles 10 times. Pat dry with another soft cotton cloth, and check results.

For best cleaning results, certain parts and padding on the chair should be removed: Instructions for removal of the following parts are located in this manual: Ensure that the entire chair including removable and non removable parts is thoroughly cleaned.

Pay close attention to the frame, sockets, fasteners, parts and casters, as well as the padding for an even, thorough clean.

Remove parts for cleaning if desired:

- 1) Wings
- 3) Footrest
- 4) Padding



Thoroughly clean all removable parts and padding, as well as the frame and components around the parts and padding that have been removed.

BRODA chairs should not be cleaned with petroleum based cleaners. Any petroleum based products that come in contact with any vinyl surface should be removed as quickly as possible. Petroleum based products make vinyl brittle and will damage the seating surface and cushions. Metal parts and cushions should be wiped completely dry after cleaning. Do not launder vinyl padding. Terry seat and back covers can be laundered and tumble dried.

Do not allow the chair to air dry. Leaving the chair to air dry and not ensuring the entire chair is completely dry may cause the frame and components to rust. Solvents such as those found in spray lubricants should not be used on BRODA Chairs as they can damage moving parts.

Frequency and method of cleaning the chairs should be determined by facility infection control protocols. If visibly soiled, thoroughly clean the chair immediately as per the cleaning instructions in this manual.

The cleaning instructions in this manual are guidelines only. Results may vary under actual conditions. The information does not relieve the user of proper and safe use of the product and all cleaning agents and consideration for the overall cleaning maintenance of the chair. Cleaning and care instructions must be followed in conjunction with facility infection control protocols.

BRODA will not accept warranty or liability claims on chairs that have not been cleaned according to the instructions or cared for in proper regard for patient, caregiver and third party safety and hygiene.. The use of certain agents may be harmful to the surface appearance and lifespan of the vinyl. BRODA assumes no responsibility resulting from the use of such cleaning agents to the vinyl.

Touch up paint is available for the powder coated frame. Please call Broda's Customer Service Department if touch up paint is required. Do not leave BRODA chairs outdoors as the frame is not UV protected. Leaving the chairs outdoors could cause the paint to peel.

Formula 409® is a trademark of the Clorox Company.

Fantastik™® is a trademark of DowBrands, Inc.

Trademark of the Dow Chemical Company.

Ivory® is a trademark of Proctor and Gamble.

## **2.8 Maintenance**

The maintenance on a BRODA chair will vary with the amount of use and the condition of the resident using the chair.

In regular use, after the initial inspection and functional testing, the chair should be inspected and tested bimonthly. We recommend visually inspecting for signs of wear, damage, loose or missing fasteners, and other safety concerns. Periodic testing of chair functions is also necessary. If a breakage, defect, or operational problem is detected, the chair must be successfully repaired, inspected and tested for function before it is returned to service.

The chair should be inspected and tested as often as each use if the chair is used by:

- 1) Aggressive or agitated residents.
- 2) Residents who have involuntary movements.
- 3) Residents weighing over 220 lbs.
- 4) A facility with irregular or sloped surfaces.
- 5) Any unauthorized person.

Do not use lubricants that contain solvents. Solvents may compromise any rubber components on the chair. If necessary, white food grade grease or lubricant can be used on any sliding components.

## 2.9 Resident Specific Instructions

The primary caregiver responsible for the specific resident's seating shall add additional instructions necessary for the safe and effective use of the chair based on their professional experience and knowledge of the resident's specific conditions and requirements.

BRODA representatives are not professional caregivers and will not know the specific requirements of the individual using the chair. BRODA relies on the knowledge, experience, and judgment of the resident's professional caregiver to ensure the specific resident's safety and comfort needs are satisfied while using the chair.

These instructions form an essential part of the Safety Requirements for using the chair and must be made available to all caregivers. Space is provided below to include these instructions.

---

---

---

---

---

---

---

---

---

---

---

---

---

---

---

---

---

---

---

---

---

---

---

---

---

BRODA Enterprises Inc.  
560 Bingemans Centre Drive  
Kitchener, Ontario Canada N2B 3X9  
Phone: 1-519-746-8080 Toll Free Can/US: 1-800-668-0637  
Fax: 1-519-746-8616  
Email: [sales@brodaseating.com](mailto:sales@brodaseating.com)  
URL: [www.brodaseating.com](http://www.brodaseating.com)

### 3 OPERATION AND MOVEMENT

Safety measures as described in Section 1 must be observed when operating the chair's functions or moving the chair. Only authorized caregivers should attempt to operate or move a chair. The caregiver must use proper body mechanics when operating the chair, and be prepared to support the weight of the resident while operating the chair.

#### 3.1 Rocking Function

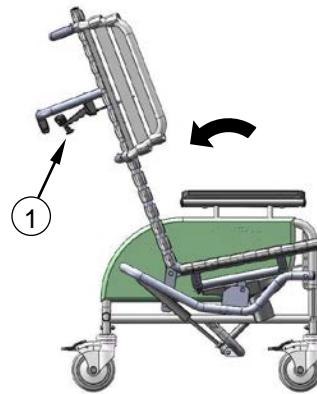
The Pedal Rocker has a rocking function that helps to calm agitated residents. The rocking function has a lock that is activated or deactivated by the caregiver. The rocking can be used independently or in conjunction with tilt for a deeper tilt angle. (See instructions- Seat Tilt)

To Activate Rocking:

- Ensure the seat is in an upright or slightly tilted position. (See instructions- Seat Tilt)
- Squeeze and lock the rock handle by securing it to the frame.
- Adjust the rocking tension according to resident in the chair. (See instruction- Rocking Tension)**

To deactivate rocking:

- Release the rock handle from the frame.
- WARNING: DO NOT place hand near cable housing on handle as this could cause pinching.**
- Let the seat engage in the desired position. To engage in the most upright position, the seat may need to be lifted up slightly to guide into position.



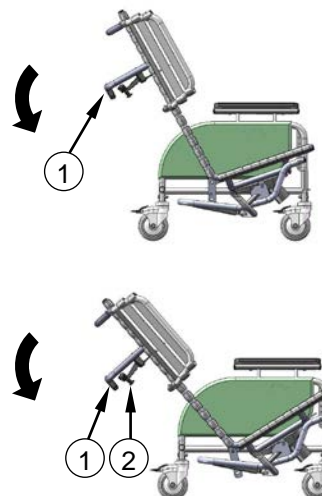
#### 3.2 Seat Tilt

Gas cylinders allow the seat to be tilted to any position from most upright to the lowest within its range. Use seat tilt to safely position the resident, redistribute pressure and increase comfort. The Pedal Rocker seat tilt is designed to allow for foot propulsion while tilted.

To Activate the Seat Tilt:

- Place right hand on the bar to assist movement and squeeze the tilt handle with left hand.
- Raise or lower the seat tilt until the desired angle is achieved.

Both the tilt and rocking functions can be used together to achieve a deeper seat tilt by tilting first, then activating the rocking mechanism.



### 3.3 Rocking Tension

The rocking tension can be adjusted to accommodate residents of various weights. For ease of rocking, the rocking tension should be:

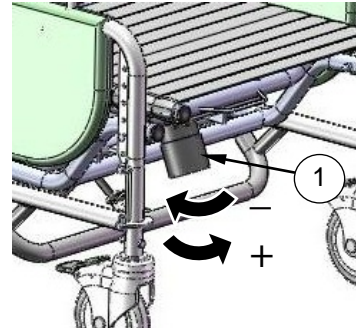
- decreased for lighter occupants.
- increased for heavier occupants.

For residents with rigid movements, the rocking tension may need to be increased accordingly to their rocking force.

To adjust rocking tension:

To decrease tension (lighter occupants) turn the knob clockwise.

To increase tension, (heavier occupants) turn the knob counter-clockwise.



### 3.4 Removable Wings

Wings support the Shoulder Bolsters which provide upper body lateral support to the resident.

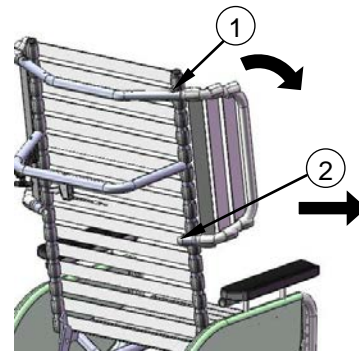
To Remove the Wing:

-Depress the top button (1) and pull the wing from the receptacle. The wing may be moved out of the way without its full removal.

-To completely remove the wing, depress the bottom button (2) and remove from the receptacle.

To Insert the Wing:

- Insert the lower end of the wing into the lower receptacle.. Then insert the upper end into the upper receptacle. Ensure the wing is secured in place.



### 3.5 Shoulder Bolsters

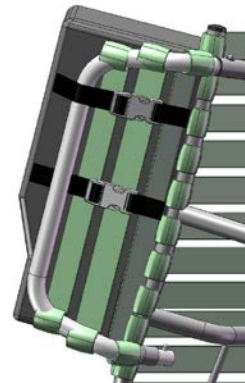
The Shoulder Bolsters provide upper torso support, protection and containment and accommodate asymmetries in the chair user. Their unique design allows for proper elbow access to the arm rest. The Shoulder Bolster is always used in conjunction with the side wing.

To Attach the Shoulder Bolsters:

-Feed both Shoulder Bolster straps between the inner strap of the wing and the frame of the chair.

-Secure the buckles and cinch the straps to secure the bolster to the wing. The bolster can be slid up and down the wing if desired.

**Note:** The Shoulder Bolster can be inverted on the wing in order to provide support to narrower residents.



### 3.6 Height Adjustable Armrests

The armrest height can easily be adjusted in order to accommodate various residents. The armrest height should be adjusted to provide correct arm support for the resident as determined by the caregiver.

To Adjust the Armrest Height:

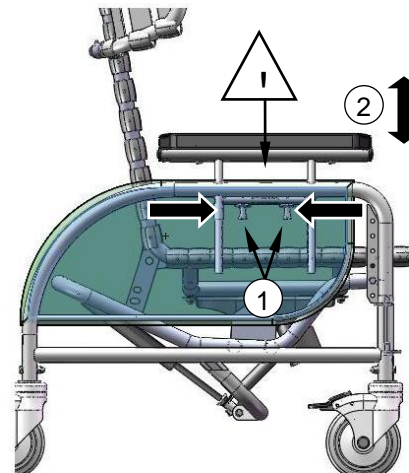
-Squeeze the pins together which are located under the armrest flap.

**WARNING: DO NOT place fingers at the top of the pins as this could cause pinching. Place fingers in the concave shape of the pins.**

-Raise or lower the arm to the desired height.

**WARNING: DO NOT place fingers anywhere underneath the arm while adjusting, as this could cause pinching.** Upon releasing the pins the armrest height will lock into place.

Secure the outside flap on the side panel.



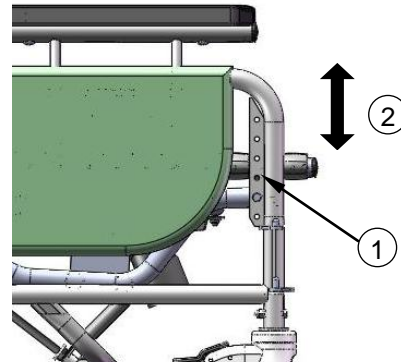
### 3.7 Adjustable Seat Height

The seat to floor height is adjustable to allow for proper “foot on floor” position for foot propulsion.

To Adjust the Seat Height:

- Using 7/16 wrenches, remove the bolts.
- Raise or lower the front of the seat to correspond with the holes at the desired seat height.
- Insert the bolts through the desired corresponding holes and tighten the bolts.

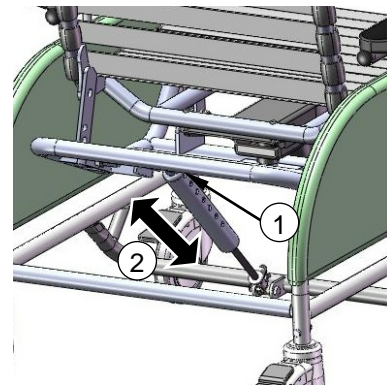
Changing the seat height on the Pedal Chair may affect the range of seat tilt as only the front of the seat is being raised. If desired, a PAB Length Adjustment Bar may be used on the tilt cylinder to maintain the original range of tilt.



### 3.8 PAB BAR (Optional)

The PAB BAR may be used to maintain the original range of tilt when the seat height has been adjusted.

- Remove the bolts and spacers from the top of the cylinder.
- Slide the PAB Bar over top of the cylinder.
- Determine the height for the PAB BAR and insert a 2 ¼” bolt through the appropriate hole. After inserting the bolt, place 2 spacers- (1/2” and 3/8”) before inserting the bolt through the cylinder.
- Insert the bolt through the cylinder and secure. Attach the top portion of the PAB BAR to the chair back.



### 3.9 Casters

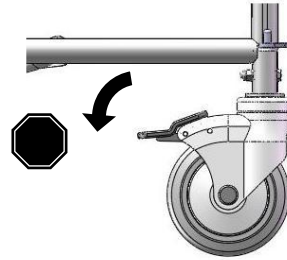
The Pedal Rocker features 5" total lock front casters and 5" fixed rear casters.

To Operate the Casters:

Step on/off the caster pedal to lock/unlock the caster.

**Always ensure the brakes are not locked when wheeling the chair.**

For chairs with mag wheels, lock and unlock using the handbrake.



### 3.10 Accessories (Options)

We recommend BRODA accessories for use only on BRODA chairs. The correct installation of the BRODA accessory is very important. We recommend that the BRODA chair is ordered with the required accessories already installed. Only authorized caregivers who thoroughly understand the accessory installation procedures should attempt to install their BRODA accessories without assistance from their local BRODA representative. BRODA does not recommend use of other manufacturer's accessories on BRODA chairs.

## **4 INSPECTION AND FUNCTIONAL TESTING**

Safety measures as described in Section 1 must be observed when inspecting or testing a chair. Only authorized caregivers or maintenance staff should attempt to inspect or test a chair.

### **4.1 Inspection**

We recommend regular visual inspection for signs of wear, damage, loose or missing fittings, and other safety concerns. If a breakage, defect, or operational problem is detected, the chair must be repaired inspected and tested for function before it is returned to service.

We recommend that the chair be inspected as often as each use if there is any reason to be concerned about the possibility of increased wear or loose or missing fittings. **At a minimum, in regular use the chair should be inspected on a bimonthly basis.** The visual inspection procedure should include at least the observation of all the fittings (fasteners):

The visual inspection procedure should include at least the observation of the following parts:

- 1) The cylinder that positions the seat tilt
- 2) The vinyl straps used in the seat, back and wings
- 3) The cushions
- 4) The black handle and cable
- 5) The armrest height adjustment pins

The visual inspection procedure should include the observation of any installed accessories. The visual inspection should be performed by the facility, or if in a private residence, by the individual responsible for the chair.

### **4.2 Functional Testing**

**We recommend that the chair should be tested for operation of the chair's functions without a resident in the chair.** The testing may be as often as each use if there is any reason to be concerned about the possibility of increased wear or damage to the chair's components. At a minimum, in regular use the chair should be tested for functions as described in Section 3.

If the caregiver or maintenance department performing the functional testing believes that any function is not operating correctly, the chair should be taken out of service until a satisfactory functional test can be completed.

**The caregiver or maintenance department performing the testing should be aware that the seat tilt will be more difficult without a resident in the chair.** When performing repairs or maintenance, do not use lubricants that contain solvents. Solvents will damage many of the moving components in the chair. If necessary, a white, food grade grease (lubricant) may be used on the sliding components in the chair. Do not use spray lubricants on any part of the chair.



## **5 TECHNICAL INFORMATION**

### **5.1 Specifications**


#### Specifications Based on 20" Wide Pedal Rocker Standard Features

1. Seat Tilt: Up to 18° of seat tilt (infinitely adjustable), Up to 33 ° of infinitely adjustable seat tilt when combined with rocking function.
2. Rocking Function: Provides gentle rocking while user is seated in the chair.  
Rocking has caregiver lock to activate or deactivate  
Rocking tension can be adjusted according to the weight of the individual in the chair.
3. Frame: 16 gauge powder coated tubular steel
4. Seat/Back Surface: BRODA Comfort Tension Seating™ Strapping is 1.5" wide, by .130" thick; contains fungicide, has shape memory retention, is fire retardant
5. Arms: Adjustable armrest height
6. Padding: Standard removable padding – Neck rest and Lower Side Pads  
The 34 ounce healthcare vinyl fabric covering is manufactured to meet the following requirements: DIN 75 200/DIN 53 438; MVSS 302, M2;CAL 117, and Wyzenbeck Heavy Duty Abrasion Test; has an antimicrobial, antibacterial, anti-stain and anti-static finish; Cold crack of -20°C. Polyurethane foam meets CAL 117-2013.  
  
Removable seat and back pads are covered with an 8 ounce soft vinyl which meets CAN2-162 flammability standard for hospital textiles. Polyurethane foam meets CAL 117-2013. Removable, washable, pre-shrunk fitted cotton terry covers are provided for the seat and back pads. Terry covers provide absorption, and vapor and heat transfer.
7. Casters: 5" total lock front casters, 5" fixed rear casters
8. Seat Depth: 17"
9. Seat Height: Adjustable 14" – 19"
10. Seat Width: 20" (18" also standard)
11. Overall Width: 25"
12. Weight Capacity: 250 lbs
13. Overall Weight: Approx. 80 lbs standard features

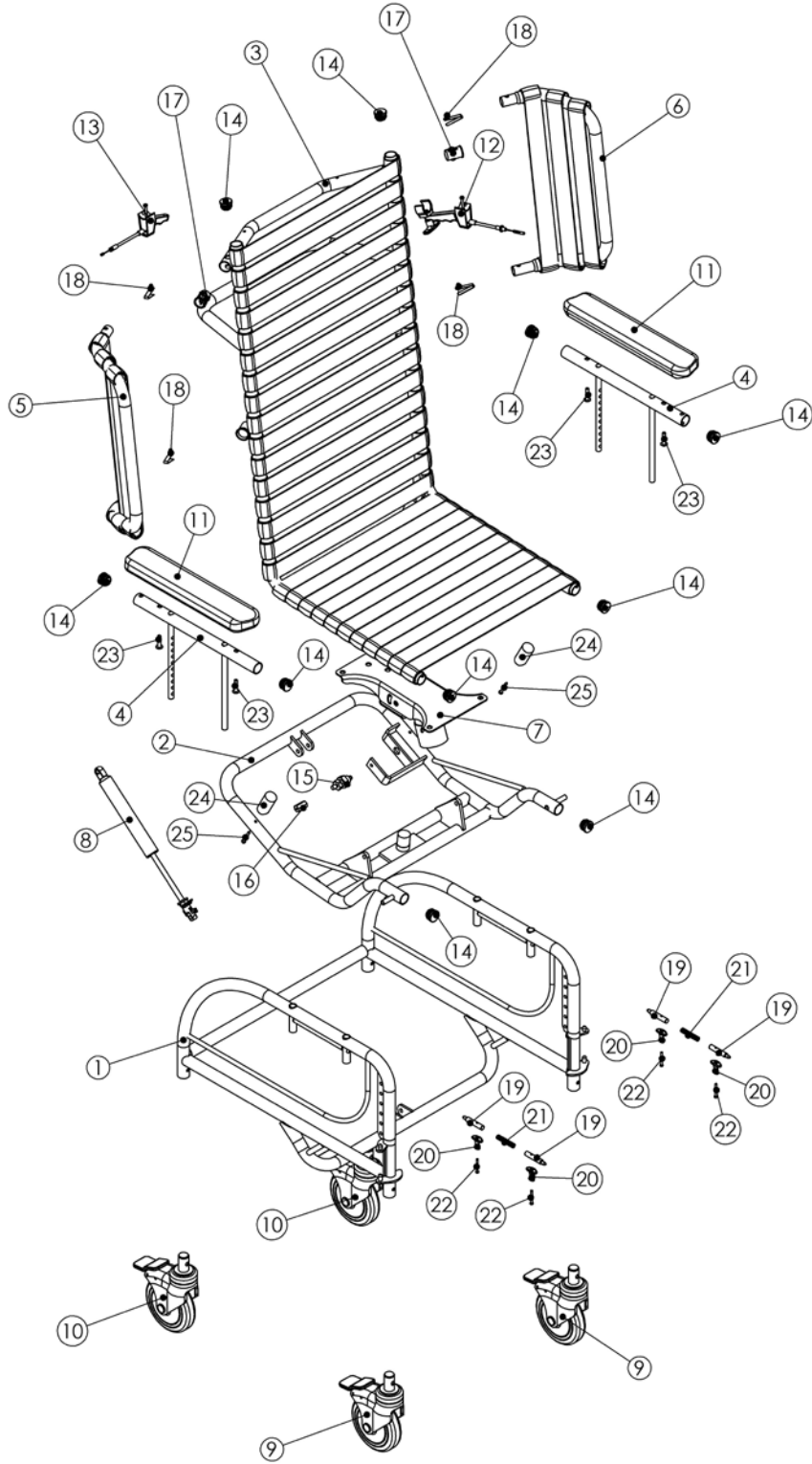
All dimensions are ± 0.5".

## 5.2 Labels

BRODA uses certain labels to assist caregivers to identify items which permit the operation of the chair's functions.

<p style="text-align: center;">Manufacturer's Label (White)</p> <div style="border: 1px solid black; padding: 10px; text-align: center;">  <p>MADE IN CANADA / FABRIQUE AU CANADA</p> <p>560 Bingemans Centre Drive, Kitchener, ON Canada, N2B 3X9 PHONE 1 – 519 746-8080 FAX 1-519-746-8616</p> </div>	<p style="text-align: center;">Serial Number Label (Gray)</p> <div style="border: 1px solid black; padding: 10px;"> <p><b>BRODA SEATING</b> 1-800-668-0637</p> <p><b>PRODUCT #</b> <b>SERIAL #</b> MADE IN CANADA</p> </div>
<p style="text-align: center;">Tilt Label (Tan)</p> <div style="border: 1px solid black; padding: 10px; text-align: center; background-color: #f4b084;"> <p><b>SEAT TILT</b></p> <p><b>SQUEEZE HANDLE</b></p> </div>	<p style="text-align: center;">Rocking Function Label</p> <div style="border: 1px solid black; padding: 10px; text-align: center;"> <p>To Activate Rocking Squeeze and Lock Handle</p> </div>
<p style="text-align: center;">Tilt and Rocking Label</p> <div style="border: 1px solid black; padding: 10px; text-align: center;"> <p>Deactivate Rocking Before Operating Tilt</p> </div>	<p style="text-align: center;">Rocking Adjustment Notification Label</p> <div style="border: 1px solid black; padding: 10px; text-align: center;"> <p>To Adjust Rocking Tension See Knob under Seat</p> </div>
<p style="text-align: center;">Rocking Adjustment Label</p> <div style="border: 1px solid black; padding: 10px; text-align: center;"> <p>← ← ← ← ← ROTATE KNOB ← ← ← ← ← Decrease Rocking Tension (Lighter Occupants)</p> <hr/> <p>Increase Rocking Tension (Heavier Occupants) → → → → → ROTATE KNOB → → → → →</p> </div>	

### 5.3 BRODA Seating 48R Pedal Rocker Parts Schematic Drawing



## Broda 48R Pedal Rocker Schematic Legend

#	Description	Quantity	Item
1	Base Frame 48R (width) (color)	1	BASE-48R
2	Seat Frame Sub Tilt 48R (width) (color)	1	SEAT-SUBTILT-48R
3	Tilt Seat Frame One Piece 48R (width) (color)	1	SEAT/BACK-48R
4	Arm Frame Height Adjustable V2/V3 (left/right) (color)	2	ARM-TOP
5 & 6	Wing Strapped Frame Removable (left/right) (color)	1	WING-STRAP
7	Rocking Mechanism 48R	1	ROCKMECH
8	Cylinder Gas Spring 600N and Actuator w/lever	1	CYL-LOCK-KIT
9	Caster 5 Total Lock (color)	2	CASTER-5"TL
10	Caster 5 Fixed (color)	2	CASTER-5"FX
11	Armrest Soft	2	AR
12	Cable and Handle Assembly 48R Rocking Mechanism	1	CAB-HAND-48R
13	Cable and Handle Assembly (cable length 48")	1	CABLE-HAND
14	Plug rnd 1" 16-18ga inside ribbed	10	REPLACEMENT HARDWARE
15	Locking Mechanism for 48R (plunger)	1	PR-LOCK
16	Coupling 8mm to 10-24" Thread	1	COUPLING
17	Bushing arm sleeve	2	BUSH-ARM-SLV
18	Spring for Arm Bottoms and Wings	4	DETENT-PIN
19, 20, 21 & 22	Push Pin Assembly (Kit)	2	PUSH-PIN
23	Screw 1/4-20x1-1/4 pan quad, zinc	4	REPLACEMENT HARDWARE
24	Die Spring	2	DIE-SPRING
25	Screw # 8 x 1-1/2" Pan Quad Zinc	2	REPLACEMENT HARDWARE

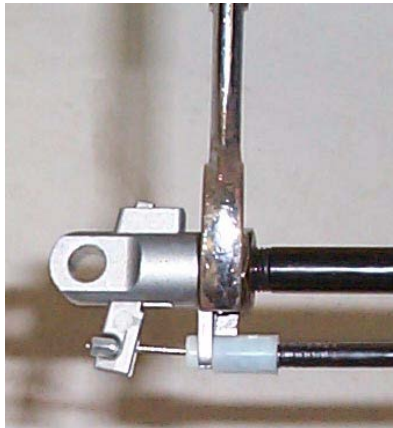
## 6 COMMON TROUBLESHOOTING AND REPAIR

Please have the chair serial number ready when contacting BRODA or your local area representative for parts or assistance for your chair. The serial number can be found on a grey sticker on the rear of the chair.

### 6.1 Troubleshooting for Gas Cylinders

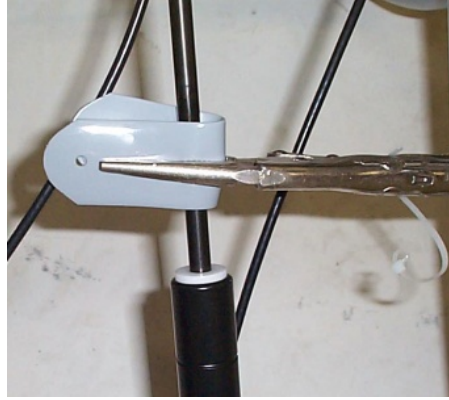
The use of gas charged springs (cylinders) on BRODA products allows the caregiver to easily make adjustments to the tilt, recline, and leg rest with a minimal effort. The gas cylinders contain Nitrogen gas, it is not flammable nor is it toxic. The cylinders provide a lifting force which counterbalances the weight of the occupant thereby reducing the amount of weight the caregiver needs to lift.

Symptom	Problem	Solution
The chair is not tilting when the handle is squeezed	The pin in the end of the cylinder is not being depressed when the handle is pulled.	Ensure the cable is attached to the cylinder actuator. If cable is attached, see <b>Adjustment Step</b> sbelow.
The chair (tilt) seems to slowly slide out of position	The pin in the end of the cylinder may be still partially depressed.	See <b>Adjustment Steps</b> below:

Adjustment Steps:	
<p>-Loosen the lock nut located on the stem of the gas cylinder next to the actuator (17mm or 11/16" wrench)</p> <p>-From the above instruction determine whether you want to wind the stem further into the actuator or further out of the actuator. <b>Wind the stem further into the actuator if the chair is not tilting or reclining, (wind clockwise) and wind it further out of the actuator if the chair is slowly sliding out of position. (wind counter-clockwise)</b></p> <p>-Wind the stem in the correct direction one half turn.</p> <p>-Check the function of the cylinder and repeat the above step until the cylinder functions properly.</p> <p>-Tighten the lock nut loosened in the first step.</p> <p>-If adjusting the cylinder does not correct the problem, the cylinder may need to be replaced. Please contact BRODA at or your local area representative.</p>	 <p><b>Note: Cylinder does not need to be removed from the chair to make this adjustment.</b></p>

**Note:** When adjusting cylinders with tools that come in contact with the cylinder rods, a cloth or some other protective material must be used to protect the sliding surface of the rod. If the rod becomes scratched or marred it will damage the seal on the cylinder and the cylinder will fail.

**Damaging a cylinder in this fashion voids the manufacturer's warranty.**



## **7 WARRANTY**

### **BRODA SEATING WARRANTY**

BRODA provides a Three Year Warranty on the chair frame, and a One Year Warranty on all other components subject to the following conditions:

No warranty is provided on seat pads or cloth covers.

The chair frames are guaranteed for three years against structural defects or failure. All other parts (except seat pads and cloth covers) including but not limited to strapping, cushions, gas springs and attachments, casters, wheels, brakes and armrests are guaranteed for one year against defects in materials and workmanship based on normal institutional use. The guarantee does not cover malicious or deliberate damage or damage from misuse. The guarantee does not cover use of BRODA chairs in a shower or pool, with the exception of the BRODA Commode/Shower Chair.

Modifications to BRODA products or the use of non-BRODA supplied parts voids the warranty. This warranty does not cover shipping damage (see below).

BRODA will provide new or refurbished parts for installation by the owner at no cost following confirmation by the local BRODA Representative or the BRODA Head Office Customer Service Representative. On request, defective parts must be returned to the factory within thirty days of receipt of the replacement parts by the owner. If the defective parts are not returned to BRODA on request, the owner will bear the cost of the replacement parts on invoice from BRODA.

Warranty does not include on-site labor for the installation of warranty parts or warranty repairs. The owner may return to BRODA products for warranty replacement or repair by shipping items prepaid and insured to the factory. Warranty completed at the factory includes both materials and labor. The decision to repair or replace parts is at the discretion of BRODA. All returns to the factory require prior authorization from BRODA.

BRODA retains the right to make design and application changes without notice. All orders will be filled with BRODA's current models unless otherwise specified by the purchaser.

BRODA chairs are designed for patient mobility, positioning, and comfort in specialty seating, however, the application of BRODA products shall remain the responsibility of the purchaser or user.

This warranty is not transferable.

### **RETURNS**

BRODA Seating will not accept any returns without a prior Returned Goods Authorization Number. Please contact our Head Office Customer Service Representative at 1-800-668-0637 for assistance. Returns must be insured when shipped.

### **DAMAGED FREIGHT**

#### **NOTIFY THE CARRIER OF ANY DAMAGE IMMEDIATELY**

It is the responsibility of the person receiving the goods to examine cartons and goods before accepting receipt. Note all damages on the bill of lading and file a claim if necessary. Notify the carrier of any concealed damaged within 48 hours of receipt.

BRODA insures all products for in transit damage, failure to notify the carrier of in transit damage voids both the insurance and the BRODA warranty. If you require assistance, contact our Head Office at 1-800-668-0637.

### **SALES TAX**

Most BRODA products are G.S.T. Zero Rated and Exempt from Canadian Provincial Sales Tax. Purchasers may be required to check with their Provincial or State Tax Office for purchaser tax payment.