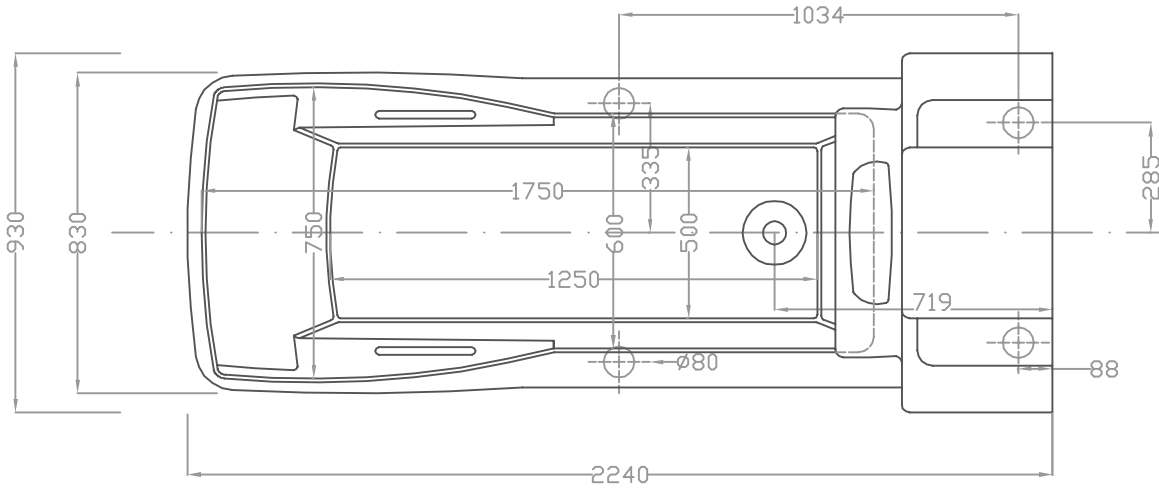


View up

Wall connects



Requirement for Magic-Line

Electrical Requirements:

- All electrical connections must be performed by a licensed electrician in accordance with national electric codes as a minimum requirement.
- Standard electrical codes as a minimum requirement.
- The tub must be connected to a Ground Fault Circuit Interrupter.
- The supply should be checked to ensure grounding is present and correct.

Plumbing Requirements:

- All plumbing connections and installation must comply with all current regulations and plumbing codes.
- Water supply 3/4" hot and cold water supply with isolation valves (recommended).
- Water pressure that exceeds 85 psi may require pressure compensating valves. See thermostatic valve specification for minimum / maximum waste and overflow tube.
- Drain is to be fitted into a floor or wall trap complying with all codes.
- Drainage is via a 1.5" waste and overflow tube.
- Two flexible hoses are supplied to connect the console to the hot and cold water supply lines.

Magic-Line

Overall dimensions for lifting Bathtub

1	Hot water 3/4" with check valve
2	Cold water 3/4" with check valve
3	Connector DN 50
4	Power Supply 230V / 50Hz - 115V / 60Hz
5	Equipotential bonding
NR.:	Designation

Scale 1 : 20

Side1

Georg Krämer Ges.m.b.H. & CO.Kg
 Neuhauserweg 14
 A-4061 Pasching

Tel : 0 72 29 / 6 44 50
 Fax : 0 72 29 / 70 6 64
 e-mail : office@gk-medizinmechanik.at

Distributed by:
 Polaris Medical Group

T 905.467.5152
 F 905.333.0407
 TF 877-377-9988

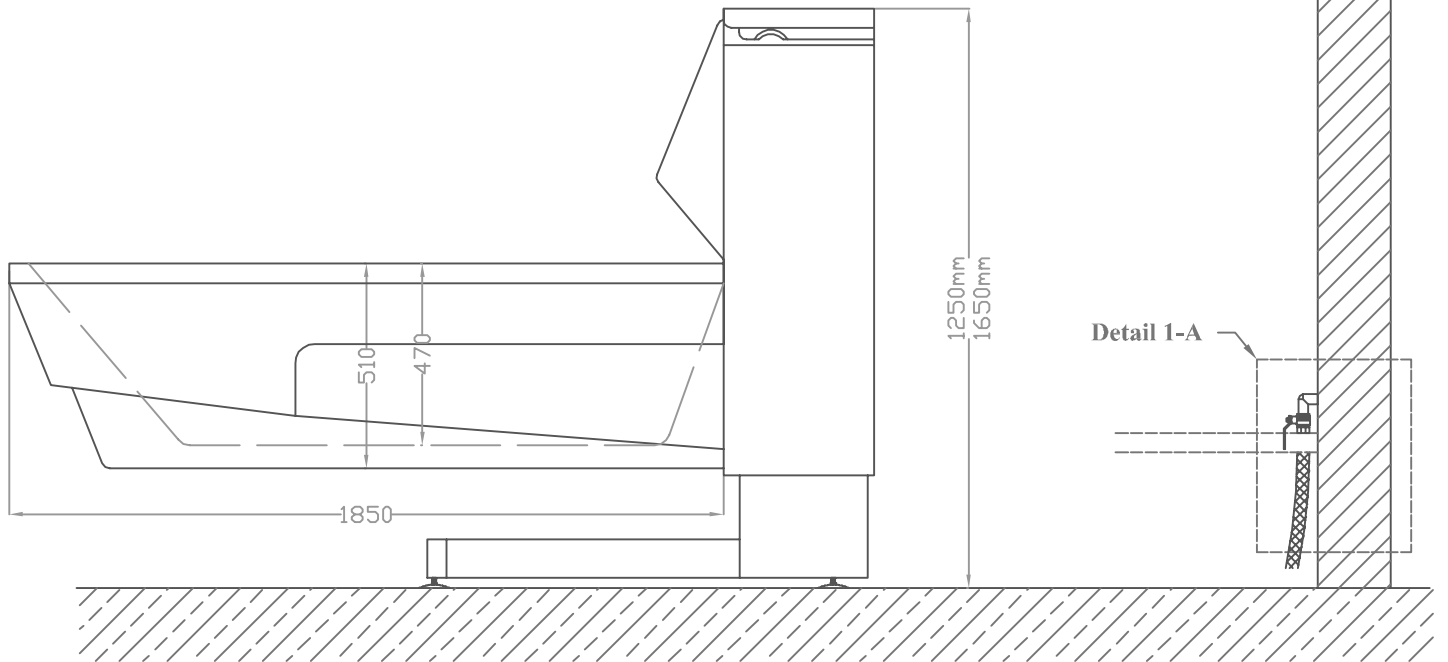
info@polarismedicalinc.com
 www.polarismedicalinc.com

Topical: March 2006

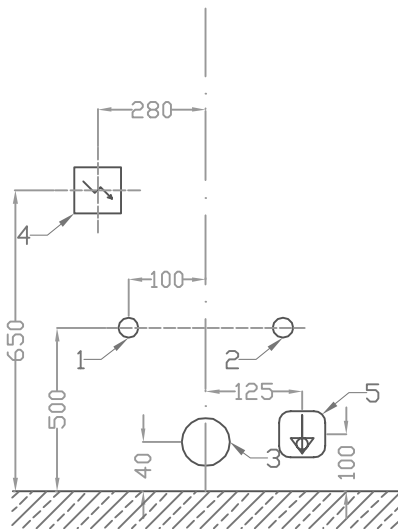
PlanNr.: 0000-E1

View side

Wall connects



Detail A-1
Scale 1 : 10



Technical Data Fortuna :

Overall length :	2240 mm
Length of the tub body :	1850 mm
Overall weight :	200 kg
Overall weight :	450 kg (completely filled with person)
Amount of filling :	ca 250L
Stroke achievement :	400 mm

Floor loading :

Per placing foot :	1125 N
--------------------	--------

Magic-Line

Overall dimensions for lifting Bathtub

1	Hot water 3/4" with check valve
2	Cold water 3/4" with check valve
3	Connector DN 50
4	Power Supply 230V / 50Hz - 115V / 60Hz
5	Equipotential bonding

Scale 1 : 20

Side2

Georg Krämer Ges.m.b.H. & CO.Kg
 Neuhauserweg 14
 A-4061 Pasching
 Tel : 0 72 29 / 6 44 50
 Fax : 0 72 29 / 70 6 64
 e-mail : office@gk-medizinmechanik.at

Distributed by:
 Polaris Medical Group
 T 905.467.5152
 F 905.333.0407
 TF 877-377-9988

Topical: March 2006

NR.: Desigantion

info@polarismedicalinc.com
 www.polarismedicalinc.com

PlanNr.: 0000-E1