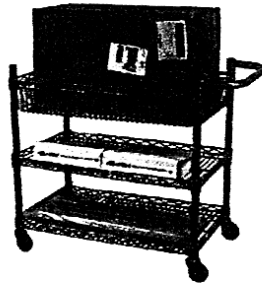


Instruction Sheet
 Models LICWT3014, LICWT2918

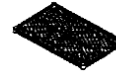
LUXOR | H. WILSON

Customer Service Dept.
 2245 Delany Rd.
 Waukegan, IL 60087
 PH: 847/244-1800 • 800/323-4656
 Fax: 847/244-1818 • 800/327-1698



Parts List

2 Shelves



1 Handle



4 Leg End Caps



28 Shelf Supports



2 Casters with brake



2 Casters No brake



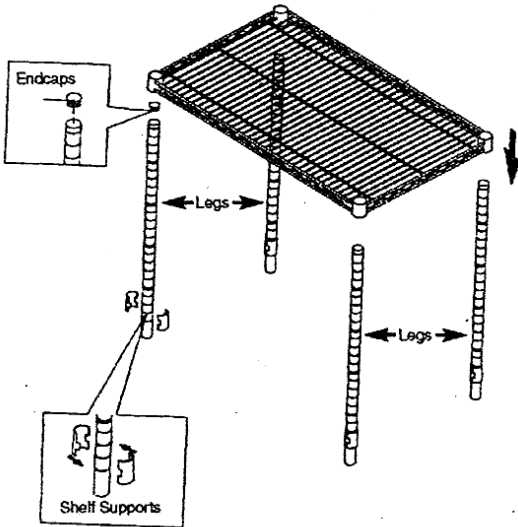
4 Legs



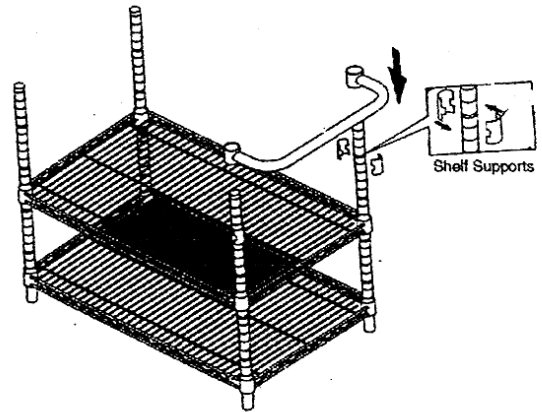
1 Basket



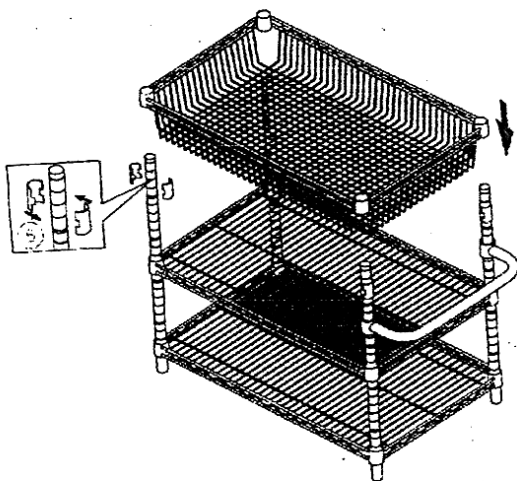
1 Wrench



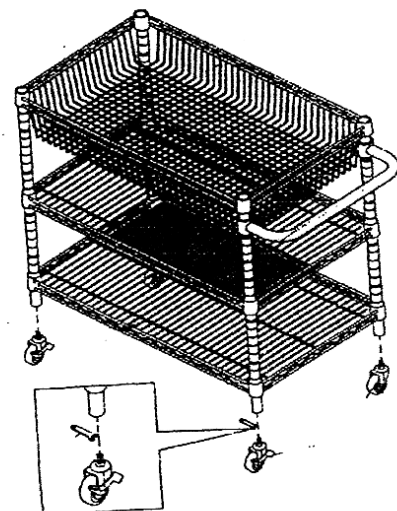
1. Install shelf supports onto the lowest grooves of the legs. Insert leg end caps into the top of legs. Slide legs through the corners of one shelf and fully seat onto plastic shelf supports.



2. Install second batch of shelf supports onto legs to desired height of the middle shelf, and install shelf. Attach 2-sets of shelf supports to either side of the cart, and side handle onto shelf supports.



3. Attach a third set of shelf supports to the top of the legs and attach the basket shelf.



Turn cart onto its side and install the casters. Be sure the two casters with brake are on the same side. Tighten with wrench.