



Operating Manual

Model 48R Pedal Rocker



Full padding upgrade shown

Distributor/Rep: This manual must be given to the caregiver responsible for this chair and its occupant.

Caregiver: Before using this chair, read this manual thoroughly and save for future reference.

Contents

FOREWORD.....	1
GENERAL INFORMATION.....	2
1 DEFINITIONS	3
2 SAFETY REQUIREMENTS	4
2.1 Training.....	4
2.2 Application.....	4
2.3 Shipping and Storage	4
2.4 Pre-Service Check.....	5
2.5 Hazards	5
2.5.1 Position of Chair - “Danger of Falling”	5
2.5.2 Position of Seat Tilt - “Danger of Tipping”.....	5
2.5.3 Location of Chair - “Danger of Tipping or Falling Objects”.....	5
2.5.4 Total Lock Wheel Brakes - “Danger of Falling”	5
2.5.5 Re-Positioning of Resident - “Danger of Clamping”.....	6
2.5.6 Unintended Movement - “Danger of Falling or Collision”.....	6
2.5.7 Resident Clothing - “Risk of Injury to Resident’s Skin”	6
2.5.8 Improper Restraint Use - “Risk of Serious Injury”	6
2.6 Improper Use.....	6
2.7 Cleaning.....	7
2.8 Maintenance.....	8
2.9 Resident Specific Instructions.....	9
3 OPERATION AND MOVEMENT	10
3.1 Rocking Function	10
3.2 Seat Tilt.....	10
3.3 Rocking Tension	11
3.4 Removable Wings	11
3.5 Shoulder Bolsters	12
3.6 Height Adjustable Armrests.....	12
3.7 Adjustable Seat Height.....	13
3.8 PAB BAR (Optional)	13
3.9 Casters.....	14
3.10 Accessories (Options)	14
4 INSPECTION AND FUNCTIONAL TESTING	15
4.1 Inspection	15
4.2 Functional Testing.....	15
5 TECHNICAL INFORMATION.....	16
5.1 Specifications	16
5.2 Labels.....	17
5.3 BRODA Seating 48R Pedal Rocker Parts Schematic Drawing	18
6 COMMON TROUBLESHOOTING AND REPAIR	20
6.1 Troubleshooting for Gas Cylinders	20
7 WARRANTY	22

GENERAL INFORMATION

This document provides guidance on the safe and effective operation of the BRODA chair.

Information in this manual must be followed at all times.

Anyone involved with the operation or maintenance of the BRODA chair, including the resident's family members, must read this operating manual before using the chair.

The resident's primary caregiver is responsible for ensuring that anyone who is unfamiliar with, unwilling, or unable to adhere to the safety and operating instructions, is not permitted to operate or move the chair.

A copy of this instruction manual must always be available.

BRODA accepts no liability for damages, injury or accidents caused by operating errors, improper maintenance, or disregard of the instructions in this manual, including any resident specific instructions.

BRODA reserves the right to make changes to the specifications, dimensions, functions, or components of its products without notice. Product representations in this manual may vary from delivered products.

Each BRODA chair has a unique identifying serial number that must be maintained on the chair as well as with any equipment records.

1 DEFINITIONS

“BRODA” means BRODA Enterprises Inc. doing business as BRODA Seating.

“BRODA chair” refers to Model 48R Pedal Rocker.

“Long-Term Care Institution” refers to a nursing home, hospital, or other healthcare facility that provides health and personal care to its residents on a long-term basis.

“Resident” refers to an individual living in a long-term care institution under the care of professional caregivers.

“Professional Caregiver” refers to doctors, nurses, therapists, nursing aids, healthcare aids, and other specialists who work in a long-term care institution and provide health and personal care to its residents.

“Caregiver” refers to any person in a long-term care institution who is appropriately trained to provide care or services to the resident or the chair used by the resident and may include the resident’s family members or guardian.

“Seat Tilt” refers to changing the relative angle between the chair’s seat and the chair frame or ground without changing the relative angle between the back and the seat.

“Transfer(s)” refers to the movement of a resident into or out of the chair with the assistance of their caregiver(s).

“Mechanical Transfer(s)” refers to the movement of a resident into or out of the chair with the assistance of their caregiver(s) using a patient lift or other assistive device that bears the weight of the resident.

2 SAFETY REQUIREMENTS

2.1 Training

Before the chair is put into service, this manual must be read thoroughly by the caregiver(s) directly responsible for the resident's care.

After the chair is put into service, this manual must be read thoroughly by any new caregivers prior to operating or moving the chair.

For the purpose of this manual, a resident's family member who shares responsibility for their care is considered a caregiver and is subject to the same competency before being permitted by the resident's primary caregiver to operate or move the chair.

Prior to first use, the customer must arrange for an in-service on the operation and safety requirements in this manual, must be given to the resident's caregivers by the local BRODA representative who supplied the chair.

The primary caregiver must maintain a list of caregivers who have read this manual and who they have authorized to operate and move the chair.

The resident's primary caregiver is responsible for ensuring that anyone who is unfamiliar with, unwilling, or unable to adhere to the safety and operating instructions, is not permitted to operate or move the chair.

The operations of the chair must be performed by the resident's primary caregiver who is responsible for seating. All The operations and adjustments performed should be done in a manner to ensure the overall safety, comfort and well-being of the resident, caregiver and third party. All operations and adjustments required for the resident should be determined by the resident's primary caregiver who is responsible for seating.

2.2 Application

BRODA chairs are intended exclusively for residents of long-term care institutions who are under the care of professional caregivers. The suitability of a BRODA chair must be determined by a qualified caregiver who is familiar with the seating needs of the intended resident. Any other use of the chair is excluded from possible liability claims.

The Pedal Rocker is not to be used in the shower. The frame and components will rust, and will void the warranty.

The chairs are not explosion resistant and must not be used where there are flammable gases or liquids present (e.g., anesthetics, volatile solvents and cleaners, etc.)

BRODA chairs are designed for use with specific BRODA parts and accessories. The use of non-BRODA parts or accessories with a BRODA will void the warranty and is excluded from possible liability claims.

BRODA chairs may only be used as described in this manual and with proper regard for recognized healthcare and workplace safety and accident prevention practices.

2.3 Shipping and Storage

BRODA chairs should be shipped and stored in an upright position and not stacked higher than 3 boxes. No other materials should be shipped or stored on top of a BRODA box. BRODA boxes should not be placed on pallets.

BRODA chairs should be shipped and stored at temperatures between -20°C and 40°C. BRODA chairs should not be used until they are between 0°C and 30°C.

BRODA chairs should be kept in a clean, dry environment. Do not leave BRODA chairs outdoors as it may cause the paint to peel.

Upon receipt, the shipping carton must be immediately examined for damage. Any damage should be noted on the delivery receipt and a request for inspection by the transportation company should be made. Next, the shipping carton should be opened and the chair must be examined for concealed shipping damage. If the chair appears to be damaged, do not use the chair. File a concealed damage report with the transportation company.

2.4 Pre-Service Check

BRODA chairs are delivered fully assembled. If the chair does not appear to be ready to use upon receipt, immediately contact your supplier and do not put the chair into service until any concerns have been resolved.

Visually inspect the chair for damage, missing parts, and loose fasteners prior to testing the chair's functions. Functional testing must be successfully completed after visual inspection and before use. These obligations apply to the chair's first use and to all subsequent uses (Section 4: Inspection and Functional Testing).

2.5 Hazards

2.5.1 Position of Chair - "Danger of Falling"

After a resident is transferred into a chair, assess the amount of tilt required. We recommend that the chair's seat be tilted sufficiently to prevent the resident from sliding or falling forward off the chair. The amount of seat tilt used should be determined by the resident's caregiver who is responsible for seating.

2.5.2 Position of Seat Tilt - "Danger of Tipping"

We recommend that the chair's seat be tilted sufficiently to prevent an agitated resident from tipping the chair forward or backward, or from slumping and sliding in the chair. The amount of seat tilt used should be determined by the resident's caregiver who is responsible for seating. Always ensure that the resident is properly positioned before operating the seat tilt.

2.5.3 Location of Chair - "Danger of Tipping or Falling Objects"

We recommend that when a resident has been moved to their destination, the chair is placed where the resident cannot reach handrails or other objects, fixed or movable. This is to prevent the resident from pulling the chair over or pulling themselves off the seating surface and to prevent the resident from pulling movable objects onto the chair and themselves.

We recommend that the chair be used in a supervised area to prevent untrained residents, caregivers, or third parties from unauthorized operation, movement, or unsafe actions such as sitting or leaning on the reclined back, elevated footrest, or the armrests. These actions, if not prevented, put the chair at risk of tipping or damage to the chair.

We recommend that a chair only be located on a level surface to minimize the risk of tipping over.

2.5.4 Total Lock Wheel Brakes - "Danger of Falling"

The special casters found on the BRODA chair have total lock brakes which prevent the wheels from turning and swiveling. The brakes must always be applied when:

- 1) the chair is not in use;
- 2) a resident is being transferred (moved) into or out of the chair.

It is important to note that if the wheel brakes are applied while the resident is in the chair, that the caregiver does not leave the resident unattended, especially those residents who have the capability or tendency to move the chair and/or those who may be agitated. This could cause harm to the resident if they attempt to move the chair while the wheel brakes are applied.

Note that removing and attaching the footrest may be easier for the caregiver with the brakes applied

Failure to follow these instructions will unnecessarily increase the risk of serious falls by residents, caregivers, or third parties caused by the chair unintentionally moving.

2.5.5 Re-Positioning of Resident - “Danger of Clamping”

BRODA Pedal Rocker chairs offer the benefits of seat tilt and height adjustable arms. During the movement of any of these functions, the following safety measures must be observed:

- 1) The resident’s arms must be positioned on the armrests or inside the chair frame with their hands on their body or on.
- 2) Only one caregiver at a time attempts to operate the chair’s functions.
- 3) Only one chair function is operated at a time.
- 4) The residents’ and caregivers’ body are clear of all pinch points before operating the chair’s functions.

Failure to follow these safety measures can put the residents’ or caregivers’ limbs at risk of injury. Residents who may be unaware of their body position or unable to maintain a safe body position are at the most risk of the danger from clamping and caregivers should be more cautious with these residents. A second caregiver may be required to ensure the safety of these residents during these operations.

2.5.6 Unintended Movement - “Danger of Falling or Collision”

We recommend BRODA chairs for indoor use within a long-term care institution and where there is not enough slope to cause the chairs to move unaided. Chairs used where the surface is uneven or sloped are at risk of unintended movement and could become a serious danger to the resident, caregiver(s), or a third party. We recommend that BRODA chairs are located away from stairwells, elevators, and exterior doorways within a long-term care institution.

Outdoor use is appropriate only under the strict supervision and full attention of a caregiver who is physically capable of preventing any unintended movement over any surfaces that are to be traveled on. We recommend that a second caregiver assist when the chair is moved over surfaces that could cause significant unintended movement.

2.5.7 Resident Clothing - “Risk of Injury to Resident’s Skin”

We recommend that residents only be seated while they are fully dressed in clothing that meets the needs of their specific condition. If after being fully dressed, a resident’s bare arms, legs, or body could still come into direct contact with the vinyl straps or vinyl pads, we recommend the use of a covering, such the BRODA terry cloth covered seat and/or back pad or a folded cloth bed sheet to prevent direct contact. Direct contact of bare skin on the straps over a period of time could cause moisture on the resident, and/or cause the skin to stick to the straps. Prior to the operation or movement of a chair with a covering, the caregiver must ensure any covering placed on the chair does not come into contact with any moving parts and is securely placed, so not to slip.

2.5.8 Improper Restraint Use - “Risk of Serious Injury”

We recommend that alternatives to physical restraints be used with residents while seated in the chair except under the specific instructions of the resident’s primary caregiver and with permission of the resident’s family or guardian. Physical restraints have been identified as a common cause of serious injury to residents while they are seated. We recommend that the primary caregiver responsible for seating first consider the re-positioning options available in the chair to reduce the risks of sliding, falling, or self-injury.

If a physical restraint is determined to be appropriate to prevent sliding or falling out of the chair, we recommend that the BRODA thigh belt be used. In all cases, it is the resident’s primary caregiver that must take responsibility for the safety of the resident if restraints are used.

2.6 Improper Use

As outlined, the improper use of the chair is dangerous to the resident, caregivers, or third parties, and can consist of, but is not limited to the following:

- 1) Unauthorized operation of the chair’s functions.
- 2) Unauthorized movement of the chair.
- 3) Inappropriate use of the chair for a resident who has not been assessed by a qualified caregiver responsible for their seating.
- 4) Failure to frequently reposition the resident in the chair
- 5) Attempting to operate of multiple chair functions simultaneously by one or more caregivers.

- 6) Attempting to move the chair with the brake(s) applied.
- 7) Leaving the resident unattended in the chair near other objects.
- 8) Leaving an agitated resident in the chair in an unsupervised area.
- 9) Leaving a resident unattended.
- 10) Leaving a resident in a chair on a sloping surface.
- 11) Leaving a chair unattended on a sloping surface.
- 12) Using non-BRODA accessories on the chair.
- 13) Using the chair at temperatures below 0°C.
- 14) Using the chair as a shower or bathing chair.
- 15) Using the chair for any use other than its intended purpose.

2.7 Cleaning

BRODA chairs should be wiped clean with soap and water. Diluted household strength ammonia or chlorine based cleaner, as well as a hospital grade cleaner may be used if necessary.

Refer to the following guide for cleaning certain staining agents (Applies to the Permablok3® vinyl, as per the vinyl manufacturer's recommendations) The frame and components of the chair can be cleaned using the same procedure as the vinyl.

The steps below are also located in the Cleaning Guide found on the back of the Broda chair

Staining Agent	Cleaning Procedure
Eye Shadow / Mascara	Step 1
Grease / Suntan Lotion / Chocolate	Step 1
Blood / Bodily Fluids	Step 2
Red Lipstick	Step 2
Oil Base Paint / Tar / Asphalt	Step 3
Other Tough Stains	Step 4 or 5*

Step 1: Remove excess spill with a damp cloth. Clean with a 1:1 mix of Ivory® liquid and water. Rinse with clean water and dry.

Step 2: Use a straight application of concentrated cleaners such as Formula 409® or Fantastik® Spray Cleaner. Then wipe with a clean cloth. If using a hospital grade cleaner, follow the diluting instructions on the label.

Step 3: Use a 1:1 mix of ammonia and water or a 1:4 mix of bleach and water. Rinse with clean water and dry.

Step 4: Use a straight application of naphtha (lighter fluid). Rinse thoroughly with clean water and pat surface dry.

Step 5: Use a 1:1 mix of isopropyl alcohol and water. If the stain persists, use straight alcohol. Rinse thoroughly with clean water and pat dry. If the stain remains, use a 1:1 mix of acetone and water. Rinse with clean water and pat surface dry.

***Note:** for cleaning that requires steps 4 or 5 – Use a soft cotton cloth saturated with the cleaning material and rub the stain in circles 10 times. Pat dry with another soft cotton cloth, and check results.

For best cleaning results, certain parts and padding on the chair should be removed: Instructions for removal of the following parts are located in this manual: Ensure that the entire chair including removable and non removable parts is thoroughly cleaned.

Pay close attention to the frame, sockets, fasteners, parts and casters, as well as the padding for an even, thorough clean.

Remove parts for cleaning if desired:

- 1) Wings
- 3) Footrest
- 4) Padding

Thoroughly clean all removable parts and padding, as well as the frame and components around the parts and padding that have been removed.

BRODA chairs should not be cleaned with petroleum based cleaners. Any petroleum based products that come in contact with any vinyl surface should be removed as quickly as possible. Petroleum based products make vinyl brittle and will damage the seating surface and cushions. Metal parts and cushions should be wiped completely dry after cleaning. Do not launder vinyl padding. Terry seat and back covers can be laundered and tumble dried.

Do not allow the chair to air dry. Leaving the chair to air dry and not ensuring the entire chair is completely dry may cause the frame and components to rust. Solvents such as those found in spray lubricants should not be used on BRODA Chairs as they can damage moving parts.

Frequency and method of cleaning the chairs should be determined by facility infection control protocols. If visibly soiled, thoroughly clean the chair immediately as per the cleaning instructions in this manual.

The cleaning instructions in this manual are guidelines only. Results may vary under actual conditions. The information does not relieve the user of proper and safe use of the product and all cleaning agents and consideration for the overall cleaning maintenance of the chair. Cleaning and care instructions must be followed in conjunction with facility infection control protocols.

BRODA will not accept warranty or liability claims on chairs that have not been cleaned according to the instructions or cared for in proper regard for patient, caregiver and third party safety and hygiene.. The use of certain agents may be harmful to the surface appearance and lifespan of the vinyl. BRODA assumes no responsibility resulting from the use of such cleaning agents to the vinyl.

Touch up paint is available for the powder coated frame. Please call Broda's Customer Service Department if touch up paint is required. Do not leave BRODA chairs outdoors as the frame is not UV protected. Leaving the chairs outdoors could cause the paint to peel.

Formula 409® is a trademark of the Clorox Company.

Fantastik™® is a trademark of DowBrands, Inc.

Trademark of the Dow Chemical Company.

Ivory® is a trademark of Proctor and Gamble.

2.8 Maintenance

The maintenance on a BRODA chair will vary with the amount of use and the condition of the resident using the chair.

In regular use, after the initial inspection and functional testing, the chair should be inspected and tested bimonthly. We recommend visually inspecting for signs of wear, damage, loose or missing fasteners, and other safety concerns. Periodic testing of chair functions is also necessary. If a breakage, defect, or operational problem is detected, the chair must be successfully repaired, inspected and tested for function before it is returned to service.

The chair should be inspected and tested as often as each use if the chair is used by:

- 1) Aggressive or agitated residents.
- 2) Residents who have involuntary movements.
- 3) Residents weighing over 220 lbs.
- 4) A facility with irregular or sloped surfaces.
- 5) Any unauthorized person.

Do not use lubricants that contain solvents. Solvents may compromise any rubber components on the chair. If necessary, white food grade grease or lubricant can be used on any sliding components.

3 OPERATION AND MOVEMENT

Safety measures as described in Section 1 must be observed when operating the chair's functions or moving the chair. Only authorized caregivers should attempt to operate or move a chair. The caregiver must use proper body mechanics when operating the chair, and be prepared to support the weight of the resident while operating the chair.

3.1 Rocking Function

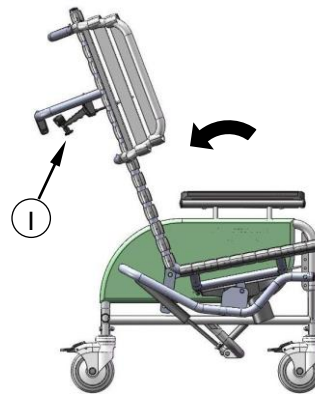
The Pedal Rocker has a rocking function that helps to calm agitated residents. The rocking function has a lock that is activated or deactivated by the caregiver. The rocking can be used independently or in conjunction with tilt for a deeper tilt angle. (See instructions- Seat Tilt)

To Activate Rocking:

- Ensure the seat is in an upright or slightly tilted position. (See instructions- Seat Tilt)
- Squeeze and lock the rock handle by securing it to the frame.
- Adjust the rocking tension according to resident in the chair. (See instruction- Rocking Tension)**

To deactivate rocking:

- Release the rock handle from the frame.
- WARNING: DO NOT place hand near cable housing on handle as this could cause pinching.**
- Let the seat engage in the desired position. To engage in the most upright position, the seat may need to be lifted up slightly to guide into position.



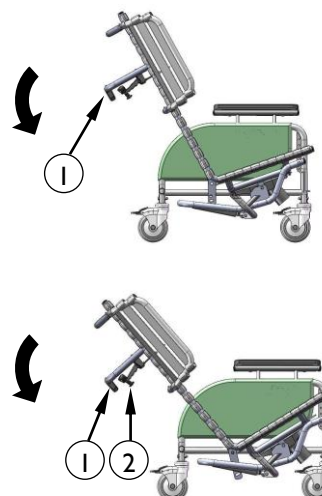
3.2 Seat Tilt

Gas cylinders allow the seat to be tilted to any position from most upright to the lowest within its range. Use seat tilt to safely position the resident, redistribute pressure and increase comfort. The Pedal Rocker seat tilt is designed to allow for foot propulsion while tilted.

To Activate the Seat Tilt:

- Place right hand on the bar to assist movement and squeeze the tilt handle with left hand.
- Raise or lower the seat tilt until the desired angle is achieved.

Both the tilt and rocking functions can be used together to achieve a deeper seat tilt by tilting first, then activating the rocking mechanism.



3.3 Rocking Tension

The rocking tension can be adjusted to accommodate residents of various weights. For ease of rocking, the rocking tension should be:

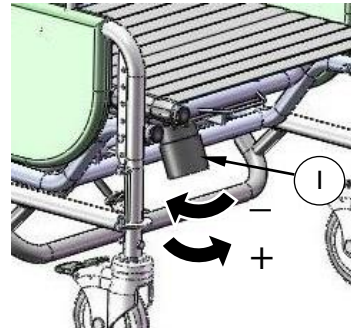
- decreased for lighter occupants.
- increased for heavier occupants.

For residents with rigid movements, the rocking tension may need to be increased accordingly to their rocking force.

To adjust rocking tension:

To decrease tension (lighter occupants) turn the knob clockwise.

To increase tension, (heavier occupants) turn the knob counter-clockwise.



3.4 Removable Wings

Wings support the Shoulder Bolsters which provide upper body lateral support to the resident.

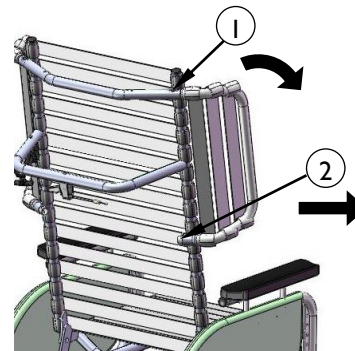
To Remove the Wing:

-Depress the top button (1) and pull the wing from the receptacle. The wing may be moved out of the way without its full removal.

-To completely remove the wing, depress the bottom button (2) and remove from the receptacle.

To Insert the Wing:

- Insert the lower end of the wing into the lower receptacle.. Then insert the upper end into the upper receptacle. Ensure the wing is secured in place.



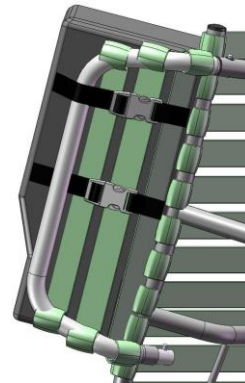
3.5 Shoulder Bolsters

The Shoulder Bolsters provide upper torso support, protection and containment and accommodate asymmetries in the chair user. Their unique design allows for proper elbow access to the arm rest. The Shoulder Bolster is always used in conjunction with the side wing.

To Attach the Shoulder Bolsters:

- Feed both Shoulder Bolster straps between the inner strap of the wing and the frame of the chair.
- Secure the buckles and cinch the straps to secure the bolster to the wing. The bolster can be slid up and down the wing if desired.

Note: The Shoulder Bolster can be inverted on the wing in order to provide support to narrower residents.



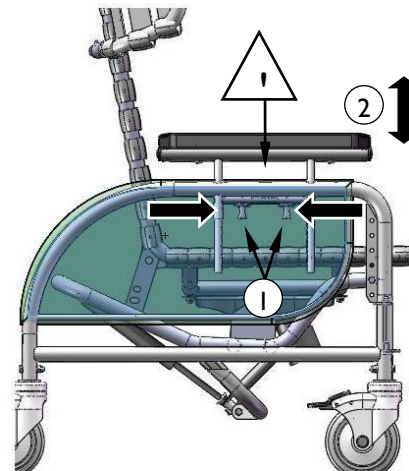
3.6 Height Adjustable Armrests

The armrest height can easily be adjusted in order to accommodate various residents. The armrest height should be adjusted to provide correct arm support for the resident as determined by the caregiver.

To Adjust the Armrest Height:

- Squeeze the pins together which are located under the armrest flap.
WARNING: DO NOT place fingers at the top of the pins as this could cause pinching. Place fingers in the concave shape of the pins.
- Raise or lower the arm to the desired height.
WARNING: DO NOT place fingers anywhere underneath the arm while adjusting, as this could cause pinching. Upon releasing the pins the armrest height will lock into place.

Secure the outside flap on the side panel.



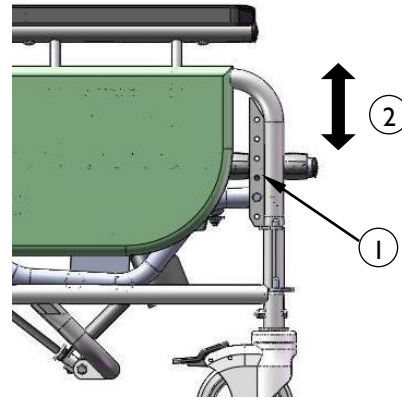
3.7 Adjustable Seat Height

The seat to floor height is adjustable to allow for proper “foot on floor” position for foot propulsion.

To Adjust the Seat Height:

- Using 7/16 wrenches, remove the bolts.
- Raise or lower the front of the seat to correspond with the holes at the desired seat height.
- Insert the bolts through the desired corresponding holes and tighten the bolts.

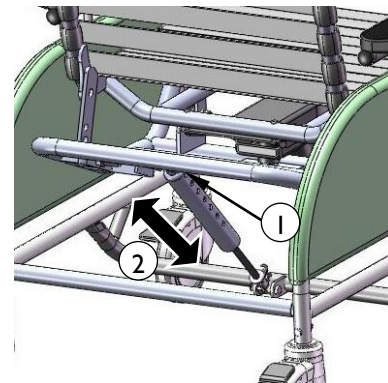
Changing the seat height on the Pedal Chair may affect the range of seat tilt as only the front of the seat is being raised. If desired, a PAB Length Adjustment Bar may be used on the tilt cylinder to maintain the original range of tilt.



3.8 PAB BAR (Optional)

The PAB BAR may be used to maintain the original range of tilt when the seat height has been adjusted.

- Remove the bolts and spacers from the top of the cylinder.
- Slide the PAB Bar over top of the cylinder.
- Determine the height for the PAB BAR and insert a 2 ¼” bolt through the appropriate hole. After inserting the bolt, place 2 spacers- (1/2” and 3/8”) before inserting the bolt through the cylinder.
- Insert the bolt through the cylinder and secure. Attach the top portion of the PAB BAR to the chair back.



3.9 Casters

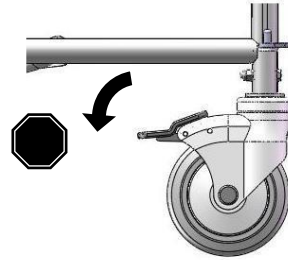
The Pedal Rocker features 5" total lock front casters and 5" fixed rear casters.

To Operate the Casters:

Step on/off the caster pedal to lock/unlock the caster.

Always ensure the brakes are not locked when wheeling the chair.

For chairs with mag wheels, lock and unlock using the handbrake.



3.10 Accessories (Options)

We recommend BRODA accessories for use only on BRODA chairs. The correct installation of the BRODA accessory is very important. We recommend that the BRODA chair is ordered with the required accessories already installed. Only authorized caregivers who thoroughly understand the accessory installation procedures should attempt to install their BRODA accessories without assistance from their local BRODA representative. BRODA does not recommend use of other manufacturer's accessories on BRODA chairs.

4 INSPECTION AND FUNCTIONAL TESTING

Safety measures as described in Section 1 must be observed when inspecting or testing a chair. Only authorized caregivers or maintenance staff should attempt to inspect or test a chair.

4.1 Inspection

We recommend regular visual inspection for signs of wear, damage, loose or missing fittings, and other safety concerns. If a breakage, defect, or operational problem is detected, the chair must be repaired inspected and tested for function before it is returned to service.

We recommend that the chair be inspected as often as each use if there is any reason to be concerned about the possibility of increased wear or loose or missing fittings. **At a minimum, in regular use the chair should be inspected on a bimonthly basis.** The visual inspection procedure should include at least the observation of all the fittings (fasteners):

The visual inspection procedure should include at least the observation of the following parts:

- 1) The cylinder that positions the seat tilt
- 2) The vinyl straps used in the seat, back and wings
- 3) The cushions
- 4) The black handle and cable
- 5) The armrest height adjustment pins

The visual inspection procedure should include the observation of any installed accessories. The visual inspection should be performed by the facility, or if in a private residence, by the individual responsible for the chair.

4.2 Functional Testing

We recommend that the chair should be tested for operation of the chair's functions without a resident in the chair. The testing may be as often as each use if there is any reason to be concerned about the possibility of increased wear or damage to the chair's components. At a minimum, in regular use the chair should be tested for functions as described in Section 3.

If the caregiver or maintenance department performing the functional testing believes that any function is not operating correctly, the chair should be taken out of service until a satisfactory functional test can be completed.

The caregiver or maintenance department performing the testing should be aware that the seat tilt will be more difficult without a resident in the chair. When performing repairs or maintenance, do not use lubricants that contain solvents. Solvents will damage many of the moving components in the chair. If necessary, a white, food grade grease (lubricant) may be used on the sliding components in the chair. Do not use spray lubricants on any part of the chair.

5 TECHNICAL INFORMATION

5.1 Specifications

Specifications Based on 20" Wide Pedal Rocker Standard Features






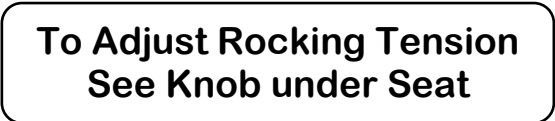
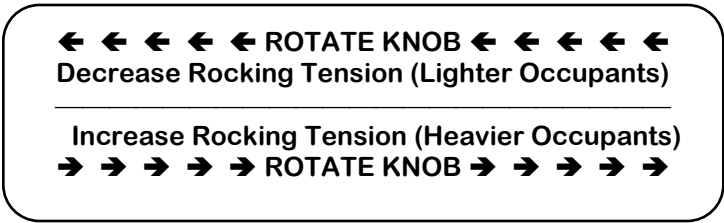
1. Seat Tilt: Up to 18° of seat tilt (infinitely adjustable), Up to 33 ° of infinitely adjustable seat tilt when combined with rocking function.
2. Rocking Function: Provides gentle rocking while user is seated in the chair.
Rocking has caregiver lock to activate or deactivate
Rocking tension can be adjusted according to the weight of the individual in the chair.
3. Frame: 16 gauge powder coated tubular steel
4. Seat/Back Surface: BRODA Comfort Tension Seating™ Strapping is 1.5" wide, by .130" thick; contains fungicide, has shape memory retention, is fire retardant
5. Arms: Adjustable armrest height
6. Padding: Standard removable padding – Neck rest and Lower Side Pads
The 34 ounce healthcare vinyl fabric covering is manufactured to meet the following requirements: DIN 75 200/DIN 53 438; MVSS 302, M2;CAL 117, and Wyzenbeck Heavy Duty Abrasion Test; has an antimicrobial, antibacterial, anti-stain and anti-static finish; Cold crack of -20°C. Polyurethane foam meets CAL 117-2013.

Removable seat and back pads are covered with an 8 ounce soft vinyl which meets CAN2-162 flammability standard for hospital textiles. Polyurethane foam meets CAL 117-2013. Removable, washable, pre-shrunk fitted cotton terry covers are provided for the seat and back pads. Terry covers provide absorption, and vapor and heat transfer.
7. Casters: 5" total lock front casters, 5" fixed rear casters
8. Seat Depth: 17"
9. Seat Height: Adjustable 14" – 19"
10. Seat Width: 20" (18" also standard)
11. Overall Width: 25"
12. Weight Capacity: 250 lbs
13. Overall Weight: Approx. 80 lbs standard features

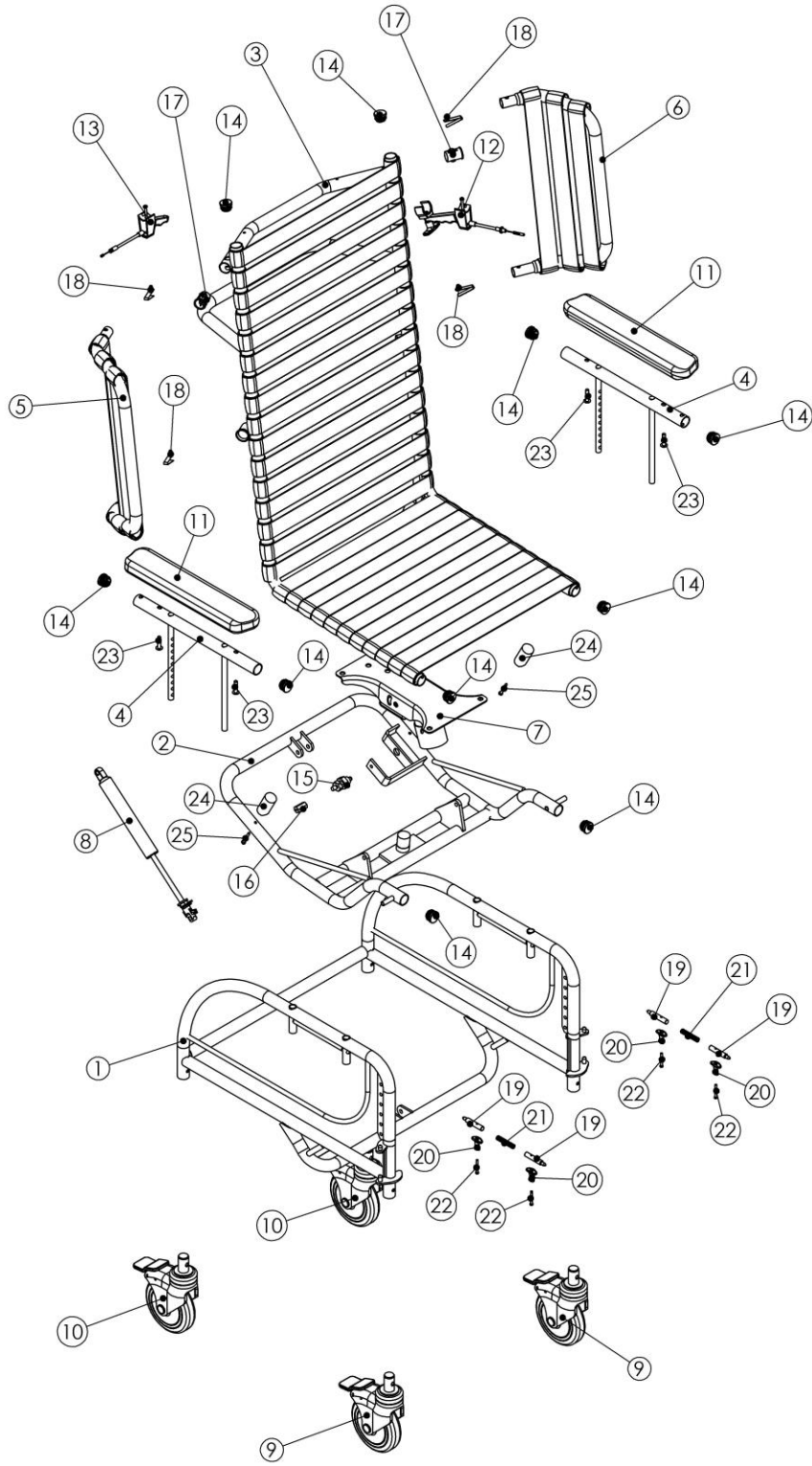
All dimensions are ± 0.5".

5.2 Labels

BRODA uses certain labels to assist caregivers to identify items which permit the operation of the chair's functions.

<p>Manufacturer's Label (White)</p> 		<p>Serial Number Label (Gray)</p> 	
<p>Tilt Label (Tan)</p> 	<p>Rocking Function Label</p> 		
<p>Tilt and Rocking Label</p> 		<p>Rocking Adjustment Notification Label</p> 	
<p>Rocking Adjustment Label</p> 			

5.3 BRODA Seating 48R Pedal Rocker Parts Schematic Drawing



Broda 48R Pedal Rocker Schematic Legend

#	Description	Quantity	Item
1	Base Frame 48R (width) (color)	1	BASE-48R
2	Seat Frame Sub Tilt 48R (width) (color)	1	SEAT-SUBTILT-48R
3	Tilt Seat Frame One Piece 48R (width) (color)	1	SEAT/BACK-48R
4	Arm Frame Height Adjustable V2/V3 (left/right) (color)	2	ARM-TOP
5 & 6	Wing Strapped Frame Removable (left/right) (color)	1	WING-STRAP
7	Rocking Mechanism 48R	1	ROCKMECH
8	Cylinder Gas Spring 600N and Actuator w/lever	1	CYL-LOCK-KIT
9	Caster 5 Total Lock (color)	2	CASTER-5"TL
10	Caster 5 Fixed (color)	2	CASTER-5"FX
11	Armrest Soft	2	AR
12	Cable and Handle Assembly 48R Rocking Mechanism	1	CAB-HAND-48R
13	Cable and Handle Assembly (cable length 48")	1	CABLE-HAND
14	Plug rnd 1" 16-18ga inside ribbed	10	REPLACEMENT HARDWARE
15	Locking Mechanism for 48R (plunger)	1	PR-LOCK
16	Coupling 8mm to 10-24" Thread	1	COUPLING
17	Bushing arm sleeve	2	BUSH-ARM-SLV
18	Spring for Arm Bottoms and Wings	4	DETENT-PIN
19, 20, 21 & 22	Push Pin Assembly (Kit)	2	PUSH-PIN
23	Screw 1/4-20x1-1/4 pan quad, zinc	4	REPLACEMENT HARDWARE
24	Die Spring	2	DIE-SPRING
25	Screw # 8 x 1-1/2" Pan Quad Zinc	2	REPLACEMENT HARDWARE

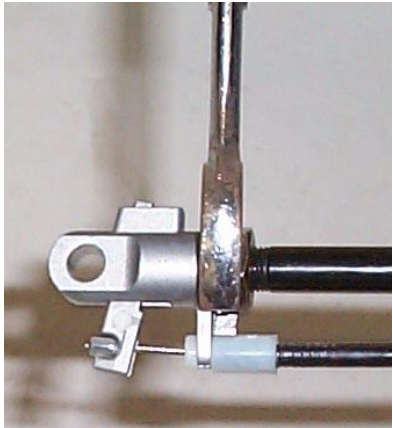
6 COMMON TROUBLESHOOTING AND REPAIR

Please have the chair serial number ready when contacting BRODA or your local area representative for parts or assistance for your chair. The serial number can be found on a grey sticker on the rear of the chair.

6.1 Troubleshooting for Gas Cylinders

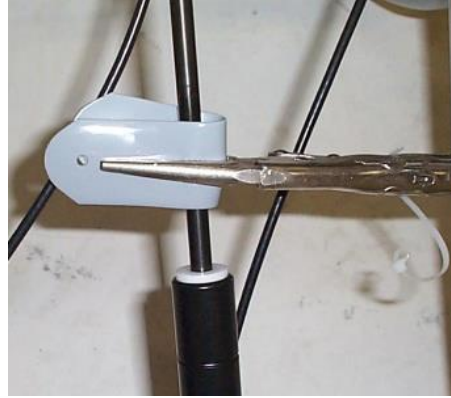
The use of gas charged springs (cylinders) on BRODA products allows the caregiver to easily make adjustments to the tilt, recline, and leg rest with a minimal effort. The gas cylinders contain Nitrogen gas, it is not flammable nor is it toxic. The cylinders provide a lifting force which counterbalances the weight of the occupant thereby reducing the amount of weight the caregiver needs to lift.

Symptom	Problem	Solution
The chair is not tilting when the handle is squeezed	The pin in the end of the cylinder is not being depressed when the handle is pulled.	Ensure the cable is attached to the cylinder actuator. If cable is attached, see Adjustment Step sbelow.
The chair (tilt) seems to slowly slide out of position	The pin in the end of the cylinder may be still partially depressed.	See Adjustment Steps below:

Adjustment Steps:	
<p>-Loosen the lock nut located on the stem of the gas cylinder next to the actuator (17mm or 11/16" wrench)</p> <p>-From the above instruction determine whether you want to wind the stem further into the actuator or further out of the actuator. Wind the stem further into the actuator if the chair is not tilting or reclining, (wind clockwise) and wind it further out of the actuator if the chair is slowly sliding out of position. (wind counter-clockwise)</p> <p>-Wind the stem in the correct direction one half turn.</p> <p>-Check the function of the cylinder and repeat the above step until the cylinder functions properly.</p> <p>-Tighten the lock nut loosened in the first step.</p> <p>-If adjusting the cylinder does not correct the problem, the cylinder may need to be replaced. Please contact BRODA at or your local area representative.</p>	 <p>Note: Cylinder does not need to be removed from the chair to make this adjustment.</p>

Note: When adjusting cylinders with tools that come in contact with the cylinder rods, a cloth or some other protective material must be used to protect the sliding surface of the rod. If the rod becomes scratched or marred it will damage the seal on the cylinder and the cylinder will fail.

Damaging a cylinder in this fashion voids the manufacturer's warranty.



7 WARRANTY

BRODA SEATING WARRANTY

BRODA provides a Three Year Warranty on the chair frame, and a One Year Warranty on all other components subject to the following conditions:

No warranty is provided on seat pads or cloth covers.

The chair frames are guaranteed for three years against structural defects or failure. All other parts (except seat pads and cloth covers) including but not limited to strapping, cushions, gas springs and attachments, casters, wheels, brakes and armrests are guaranteed for one year against defects in materials and workmanship based on normal institutional use. The guarantee does not cover malicious or deliberate damage or damage from misuse. The guarantee does not cover use of BRODA chairs in a shower or pool, with the exception of the BRODA Commode/Shower Chair.

Modifications to BRODA products or the use of non-BRODA supplied parts voids the warranty. This warranty does not cover shipping damage (see below).

BRODA will provide new or refurbished parts for installation by the owner at no cost following confirmation by the local BRODA Representative or the BRODA Head Office Customer Service Representative. On request, defective parts must be returned to the factory within thirty days of receipt of the replacement parts by the owner. If the defective parts are not returned to BRODA on request, the owner will bear the cost of the replacement parts on invoice from BRODA.

Warranty does not include on-site labor for the installation of warranty parts or warranty repairs. The owner may return to BRODA products for warranty replacement or repair by shipping items prepaid and insured to the factory. Warranty completed at the factory includes both materials and labor. The decision to repair or replace parts is at the discretion of BRODA. All returns to the factory require prior authorization from BRODA.

BRODA retains the right to make design and application changes without notice. All orders will be filled with BRODA's current models unless otherwise specified by the purchaser.

BRODA chairs are designed for patient mobility, positioning, and comfort in specialty seating, however, the application of BRODA products shall remain the responsibility of the purchaser or user.

This warranty is not transferable.

RETURNS

BRODA Seating will not accept any returns without a prior Returned Goods Authorization Number. Please contact our Head Office Customer Service Representative at 1-800-668-0637 for assistance. Returns must be insured when shipped.

DAMAGED FREIGHT

NOTIFY THE CARRIER OF ANY DAMAGE IMMEDIATELY

It is the responsibility of the person receiving the goods to examine cartons and goods before accepting receipt. Note all damages on the bill of lading and file a claim if necessary. Notify the carrier of any concealed damaged within 48 hours of receipt.

BRODA insures all products for in transit damage, failure to notify the carrier of in transit damage voids both the insurance and the BRODA warranty. If you require assistance, contact our Head Office at 1-800-668-0637.

SALES TAX

Most BRODA products are G.S.T. Zero Rated and Exempt from Canadian Provincial Sales Tax. Purchasers may be required to check with their Provincial or State Tax Office for purchaser tax payment.



Mode d'emploi

Fauteuil de marche berçant (Rocker) modèle 48R



Ensemble entièrement coussiné illustré

Distributeur/Rep.: Ce mode d'emploi doit être remis à l'intervenant responsable de ce fauteuil et à son usager.

Intervenant : Avant d'utiliser ce fauteuil, lire ce mode d'emploi minutieusement et le conserver pour référence ultérieure.

Table des matières

AVANT-PROPOS.....	1
INFORMATION GÉNÉRALE	2
1 DÉFINITIONS	3
2 EXIGENCES DE SÉCURITÉ.....	4
2.1 Formation	4
2.2 Application	4
2.3 Expédition et entreposage	5
2.4 Vérification avant la mise en service	5
2.5 Risques	5
2.5.1 Position du fauteuil - « Risque de tomber ».....	5
2.5.2 Position d'inclinaison du siège - « Risque de tomber ».....	5
2.5.3 Emplacement du fauteuil - « Risque de basculer ou de faire tomber des objets »	5
2.5.4 Freins de roue autobloquante à toutes positions - « Risque de tomber »	6
2.5.5 Repositionnement du résident - « Risque de se coincer ».....	6
2.5.6 Mouvement involontaire - « Risque de tomber ou d'entrer en collision »	6
2.5.7 Vêtements du résident - « Risque de blesser sa peau ».....	7
2.5.8 Utilisation inappropriée d'une contention - « Risque de se blesser grièvement »	7
2.6 Utilisation inappropriée.....	7
2.7 Nettoyage	8
2.8 Entretien.....	10
2.9 Directives spécifiques concernant le résident.....	10
3 ACTIONNEMENT ET DÉPLACEMENT.....	12
3.1 Mode berçant.....	12
3.2 Inclinaison du siège.....	12
3.3 Tension de bascule	13
3.4 Oreilles amovibles.....	14
3.5 Coussins pour épaules	14
3.6 Accoudoirs à hauteur ajustable	14
3.7 Siège à hauteur ajustable	15
3.8 Barre PAB (facultative).....	15
3.9 Roulettes	16
3.10 Accessoires (en option)	16
4 INSPECTION ET ESSAI DE FONCTIONNALITÉ	17
4.1 Inspection	17
4.2 Essai de fonctionnalité	17
5 INFORMATION TECHNIQUE.....	18
5.1 Spécifications	18
5.2 Étiquettes.....	19
5.3 Vue explosive des pièces du fauteuil de marche berçant (Rocker) modèle 48R de Broda	20
6 DÉPANNAGE COURANT ET RÉPARATION.....	22
6.1 Dépannage pour cylindres au gaz.....	22
7 GARANTIE.....	24

AVANT-PROPOS

Félicitations pour votre achat d'un fauteuil BRODA, et merci de votre confiance envers notre compagnie et nos produits.

BRODA se positionne à la tête de son industrie en fournissant des solutions optimales de repositionnement et de mobilité aux résidents des établissements de soins de longue durée. Les fauteuils BRODA ne ressemblent en rien aux fauteuils traditionnels et offrent des avantages uniques à BRODA. Nous sommes persuadés qu'après avoir fait usage de votre fauteuil BRODA, vous serez convaincus que la qualité de vie de vos résidents sera considérablement améliorée.

Ce manuel vous aidera à tirer le meilleur parti des capacités du fauteuil BRODA et vous assurera de vous familiariser rapidement avec son fonctionnement.

Après avoir lu ce manuel, si vous avez quelque question que ce soit relativement au fonctionnement sécuritaire et efficace de votre fauteuil BRODA ou de ses accessoires, vous êtes priés de communiquer avec le représentant BRODA de votre région ou le personnel du service à la clientèle de notre siège social.

Siège social :

BRODA Seating

560 Bingemans Centre Drive

Kitchener, Ontario, Canada, N2B 3X9

Téléphone : 519-746-8080 Sans frais Can./É.-U.: 1-800-668-0637

Télécopieur : 519-746-8616

Courriel : sales@brodaseating.com

Site Internet : www.brodaseating.com

INFORMATION GÉNÉRALE

Ce document fournit des conseils sur le fonctionnement sécuritaire et adéquat d'un fauteuil BRODA.

L'information de ce mode d'emploi doit être observée en tout temps.

Quiconque participe au fonctionnement et à l'entretien du fauteuil BRODA, y compris les membres de la famille du résident, doit lire ce mode d'emploi avant de faire usage du fauteuil.

L'intervenant responsable du résident doit s'assurer que toute personne qui n'est pas familière, qui ne veut ou ne peut pas se conformer à ses directives de sécurité et de fonctionnement, ne soit autorisée à actionner ou déplacer le fauteuil.

Une copie du présent mode d'emploi doit toujours être disponible.

BRODA n'accepte aucune responsabilité que ce soit pour des dommages, blessures ou accidents occasionnés par des erreurs d'utilisation, un manque d'entretien approprié ou la négligence d'observer les directives de ce manuel, incluant des instructions spécifiques au résident.

BRODA se réserve le droit d'apporter des modifications relativement aux dimensions, aux fonctions et aux composantes de ses produits sans préavis. Les produits représentés dans ce manuel peuvent différer des produits livrés.

Chaque fauteuil BRODA comprend son propre numéro de série d'identification, qui doit être conservé sur le fauteuil ainsi que dans le registre des équipements.

1 DÉFINITIONS

« BRODA » signifie *Broda Enterprises Inc.* faisant des affaires sous la dénomination *Broda Seating*.

La mention « fauteuil BRODA » fait référence au fauteuil de marche berçant (Rocker) modèle 48R.

« Établissement de soins de longue durée » fait référence à un centre de soins infirmiers, un hôpital ou tout autre centre de soins de santé qui dispense des soins personnels et de santé à ses résidents sur une base de longue durée.

« Résident » fait référence à tout individu demeurant dans un établissement de soins de longue durée et qui est sous les soins d'intervenants professionnels.

« Intervenant professionnel » fait référence aux médecins, infirmiers(ères), thérapeutes, aides-infirmiers(ères), aides-soignants et autres spécialistes qui travaillent dans un établissement de soins de longue durée et qui dispensent des soins personnels et de santé à ses résidents.

« Intervenant » fait référence à toute personne dans un établissement de soins de longue durée qui est adéquatement formée pour fournir des soins ou des services au résident ou s'occuper du fauteuil utilisé par le résident. Cet intervenant peut être un membre de la famille du résident ou son tuteur.

« Inclinaison du siège » fait référence au changement de l'angle relatif du bloc siège/dossier du fauteuil par rapport à l'armature ou au sol, sans changer l'angle relatif entre le dossier et le siège.

« Transfert » fait référence au déplacement d'un résident dans son fauteuil ou hors de celui-ci avec l'aide de son ou ses intervenant(s).

« Transfert mécanique » fait référence au déplacement d'un résident dans son fauteuil ou hors de celui-ci avec l'aide de son ou ses intervenant(s) à l'aide d'un lève-personne ou d'un autre dispositif d'assistance qui soutient le poids du résident.

2 EXIGENCES DE SÉCURITÉ

2.1 Formation

Avant que le fauteuil soit mis en service, ce manuel doit être lu minutieusement par le ou les intervenant(s) directement responsable(s) des soins dispensés au résident.

Lorsque le fauteuil est mis en service, ce manuel doit être lu minutieusement par tous les nouveaux intervenants avant d'actionner ou déplacer le fauteuil.

En ce qui concerne ce manuel, un membre de la famille d'un résident, qui partage la responsabilité de ses soins, est considéré au même titre qu'un intervenant et doit ainsi avoir la même compétence avant d'être autorisé par l'intervenant responsable du résident à actionner ou déplacer le fauteuil.

Avant la première utilisation, le client doit planifier une séance de formation interne sur les rudiments de fonctionnement et sécurité décrits dans ce manuel, dispensée aux intervenants qui interagissent avec le résident par le représentant régional BRODA qui a fourni le fauteuil.

L'intervenant responsable doit maintenir une liste à jour des intervenants qui ont lu ce manuel et qui sont autorisés à actionner et déplacer le fauteuil.

L'intervenant responsable du résident doit s'assurer que toute personne qui n'est pas familière, qui ne veut ou ne peut pas se conformer à ses directives de sécurité et de fonctionnement, ne soit autorisée à actionner ou déplacer le fauteuil.

Le fauteuil doit être actionné par l'intervenant responsable du positionnement assis du résident. Tout positionnement ou ajustement doit être effectué de sorte à assurer la sécurité, le confort et le bien-être du résident, de l'intervenant et des tierces personnes. Tout positionnement ou ajustement requis pour le résident doit être déterminé par l'intervenant responsable du positionnement assis.

2.2 Application

Les fauteuils BRODA sont exclusivement destinés aux résidents des établissements de soins de longue durée qui reçoivent les soins d'intervenants professionnels. La convenance d'un fauteuil BRODA doit être déterminée par un intervenant qualifié qui est au courant des besoins en positionnement assis du résident en cause. Toute autre utilisation du fauteuil exclut une éventuelle possibilité de réclamation pour responsabilité.

Le fauteuil de marche berçant ne doit pas être utilisé dans la douche. L'armature et les composantes rouilleront, et cela annulera la garantie.

Les fauteuils ne sont pas résistants aux explosions et ne doivent pas être utilisés en présence de gaz ou liquides inflammables (par exemple : produits anesthésiants, solvants et nettoyants volatiles, etc.).

Les fauteuils BRODA sont conçus pour être utilisés avec les pièces et accessoires spécifiques BRODA. L'utilisation de pièces ou d'accessoires autres que BRODA sur un fauteuil BRODA annulera la garantie et exclura une éventuelle possibilité de réclamation pour responsabilité.

Les fauteuils BRODA doivent être utilisés tels que décrits dans ce manuel et selon les pratiques reconnues en soins de santé, sécurité des lieux de travail et prévention des accidents.

2.3 Expédition et entreposage

Les fauteuils BRODA devraient être expédiés et entreposés en position verticale, et ne pas être empilés plus de trois unités de haut. Aucun autre matériel ne devrait être expédié ou entreposé par-dessus une boîte BRODA. Les boîtes BRODA ne devraient pas être placées sur des palettes.

Les fauteuils BRODA devraient être expédiés et entreposés à des températures se situant entre -20 et 40 °C. Les fauteuils BRODA ne devraient pas être utilisés avant d'avoir atteint des températures se situant entre 0 et 30 °C.

Les fauteuils BRODA devraient être maintenus dans un environnement propre et sec. Ne laissez pas les fauteuils BRODA dehors, car cela pourrait faire écailler la peinture.

Sur réception, la boîte d'expédition doit immédiatement être examinée pour déceler un éventuel dommage. Tout dommage devrait être noté sur le bon de livraison, et une demande d'inspection par la compagnie de transport devrait être faite. Ensuite, la boîte d'expédition devrait être ouverte et le fauteuil examiné pour déceler un dommage non apparent occasionné par l'expédition. Si le fauteuil semble être endommagé, ne pas l'utiliser. Rédigez un rapport de dommage non apparent à l'attention de la compagnie de transport.

2.4 Vérification avant la mise en service

Les fauteuils BRODA sont livrés entièrement assemblés. Si le fauteuil ne semble pas être en état de fonctionnement au moment de sa réception, communiquez immédiatement avec votre fournisseur, et ne mettez le fauteuil en service que lorsque vos préoccupations auront été résolues.

Inspectez visuellement le fauteuil pour déceler un dommage, des pièces manquantes et des fixations desserrées avant de tester les fonctions du fauteuil. L'essai de fonctionnalité du fauteuil doit être complété avec succès après l'inspection visuelle et avant la première utilisation. Ces obligations s'appliquent à la première utilisation du fauteuil et à toutes les utilisations subséquentes (Section 4: Inspection et essai de fonctionnalité).

2.5 Risques

2.5.1 Position du fauteuil - « Risque de tomber »

Après le transfert du résident dans le fauteuil, évaluer le degré d'inclinaison nécessaire. nous recommandons d'incliner le siège suffisamment pour l'empêcher de glisser ou de tomber par en avant. Le degré d'inclinaison du siège devrait être déterminé par l'intervenant responsable du positionnement assis du résident.

2.5.2 Position d'inclinaison du siège - « Risque de tomber »

Nous recommandons que le siège du fauteuil soit incliné suffisamment pour empêcher un résident agité de faire basculer le fauteuil par en avant ou par en arrière, ou de se pencher et glisser dans le fauteuil. Le degré d'inclinaison du siège devrait être déterminé par l'intervenant responsable du positionnement assis du résident. Assurez-vous toujours que le résident est correctement positionné avant d'incliner le siège.

2.5.3 Emplacement du fauteuil - « Risque de basculer ou de faire tomber des objets »

Nous recommandons qu'une fois arrivé à destination, le fauteuil soit placé à un endroit où le résident ne pourra agripper une main courante ou un autre objet, fixe ou mobile. Cette procédure vise à empêcher le résident de tirer le fauteuil ou de se hisser hors du siège, et à éviter qu'il dépose des objets sur le fauteuil et sur lui-même.

Nous recommandons que le fauteuil soit utilisé dans un endroit supervisé pour empêcher que des résidents non formés, des intervenants ou des tierces personnes effectuent une manœuvre non autorisée, un mouvement ou une

action dangereuse telle que s'asseoir ou s'appuyer sur le dossier incliné, le repose-pieds élevé ou les accoudoirs. Donner libre cours à de telles actions expose le fauteuil au risque de basculer et à celui de l'endommager.

Nous recommandons que le fauteuil ne soit localisé que sur une surface à niveau afin de réduire le risque de basculer au minimum.

2.5.4 Freins de roue autobloquante à toutes positions - « Risque de tomber »

Les roulettes spéciales qui se trouvent sur les fauteuils BRODA sont équipées de freins qui bloquent à toutes les positions pour empêcher les roues de tourner et de pivoter. Les freins doivent toujours être appliqués quand :

- 1) le fauteuil n'est pas utilisé;
- 2) le résident est transféré (déplacé) dans le fauteuil ou hors de celui-ci.

Il est important de noter que si les freins de roue sont appliqués lorsque le résident est dans le fauteuil, l'intervenant ne devrait pas laisser le résident sans surveillance, particulièrement s'il s'agit d'une personne qui a la capacité ou la tendance de déplacer le fauteuil et/ou qu'elle peut être agitée. Le résident pourrait se blesser s'il tente de déplacer le fauteuil alors que les freins de roue sont appliqués.

Il est à noter que l'action d'enlever ou de fixer le repose-pieds par l'intervenant peut se voir facilitée si les freins sont appliqués.

Le défaut de suivre ces directives augmentera inutilement le risque de chutes graves pour les résidents, les intervenants ou les tierces personnes, occasionnées par un fauteuil se déplaçant involontairement.

2.5.5 Repositionnement du résident - « Risque de se coincer »

Les fauteuils de marche berçant BRODA offrent les avantages de l'inclinaison du siège et du réglage de la hauteur des accoudoirs. Lors de l'actionnement de l'une ou l'autre de ces fonctions, les mesures de sécurité suivantes doivent être observées :

- 1) Les bras du résident doivent être placés sur les accoudoirs ou à l'intérieur de l'armature du fauteuil, les mains sur ou au-dessus de son corps.
- 2) Le fauteuil ne doit être actionné que par un seul intervenant à la fois.
- 3) Une seule fonction du fauteuil doit être actionnée à la fois.
- 4) Le corps des résidents et des intervenants doit être dégagé de tous les points de pincement potentiels avant d'actionner les fonctions du fauteuil.

Le défaut de suivre ces mesures de sécurité expose les membres des résidents ou des intervenants à des risques de blessure. Les résidents qui ne sont pas conscients de la position de leur corps ou qui ne peuvent maintenir une position sécuritaire sont les plus exposés au risque de coincage, et les intervenants doivent être plus prudents avec ces derniers. Un deuxième intervenant pourrait assurer la sécurité de ces résidents pendant les manoeuvres.

2.5.6 Mouvement involontaire - « Risque de tomber ou d'entrer en collision »

Nous recommandons les fauteuils BRODA pour un usage intérieur dans un établissement de soins de longue durée, et là où une pente n'est pas assez prononcée pour avoir recours à de l'aide pour les déplacer. Des fauteuils utilisés sur des surfaces inégales ou en pente représentent un risque de mouvements involontaires et peuvent devenir sérieusement dangereux pour le résident, le ou les intervenant(s) ou des tierces personnes. Nous recommandons que les fauteuils BRODA soient localisés loin des cages d'escalier, des ascenseurs et des entrées de porte extérieures dans un établissement de soins de longue durée.

Un usage extérieur est approprié seulement sous la surveillance stricte et la pleine attention d'un intervenant qui est physiquement capable d'empêcher tout mouvement involontaire sur toutes les surfaces qui devront être empruntées. Nous recommandons qu'un deuxième intervenant vienne porter main forte lorsque le fauteuil est déplacé sur des surfaces qui pourraient causer d'importants mouvements involontaires.

2.5.7 Vêtements du résident - « Risque de blesser sa peau »

Nous recommandons que les résidents ne soient assis dans leur fauteuil que lorsqu'ils sont complètement habillés avec des vêtements satisfaisant les besoins de leur état spécifique. Si après avoir été complètement habillé, des parties dénudées du corps du résident, comme les bras ou les jambes, peuvent encore entrer en contact direct avec les courroies ou les coussins protecteurs en vinyle, nous recommandons l'utilisation d'une housse, tels la housse de siège BRODA en tissu éponge et/ou un coussin de dossier ou un drap de lit plié afin d'empêcher un contact direct. Un contact direct de la peau nue du résident sur les courroies pendant une certaine période de temps peut occasionner de l'humidité et/ou faire coller la peau sur les courroies. Avant tout actionnement ou déplacement d'un fauteuil avec une housse, l'intervenant doit s'assurer qu'aucune partie de celle-ci n'entre en contact avec une pièce mobile du fauteuil et que la housse tient solidement en place, pour ne pas glisser.

2.5.8 Utilisation inappropriée d'une contention - « Risque de se blesser grièvement »

Nous recommandons que des solutions de rechange aux contentions physiques soient adoptées avec les résidents lorsqu'ils sont assis dans le fauteuil, sauf sur directives spécifiques de l'intervenant responsable du résident, et avec la permission de sa famille ou de son tuteur. Les contentions physiques ont été identifiées comme une cause fréquente de blessures graves infligées aux résidents lorsqu'ils sont assis. Nous recommandons que l'intervenant responsable du positionnement assis considère d'abord les options de repositionnement qu'offre le fauteuil pour réduire les risques de glissement, de chute ou d'automutilation.

S'il est établi qu'une contention physique est appropriée pour empêcher le résident de glisser ou de tomber en bas du fauteuil, nous recommandons l'utilisation de la ceinture abducteur coussinée BRODA. Dans tous les cas, il est de la responsabilité de l'intervenant responsable du résident de veiller à la sécurité de ce dernier si des contentions sont utilisées.

2.6 Utilisation inappropriée

Tel que décrit, l'utilisation inappropriée du fauteuil est dangereuse pour le résident, les intervenants ou les tierces personnes. Cette utilisation comporte, sans y être limitée, les actions suivantes :

- 1) actionnement non autorisé des fonctions du fauteuil;
- 2) déplacement non autorisé du fauteuil;
- 3) utilisation inadéquate du fauteuil pour un résident qui n'a pas été évalué par un intervenant qualifié responsable du positionnement assis;
- 4) défaut de replacer fréquemment le résident dans le fauteuil;
- 5) tenter d'actionner simultanément plusieurs fonctions du fauteuil, par un ou plusieurs intervenant(s);
- 6) tenter de déplacer le fauteuil alors que les freins sont appliqués;
- 7) laisser le résident sans surveillance dans le fauteuil à proximité d'autres objets;
- 8) laisser un résident agité dans un endroit non supervisé;
- 9) laisser un résident sans surveillance;
- 10) laisser un résident dans un fauteuil sur une surface en pente;
- 11) laisser un fauteuil sans surveillance sur une surface en pente;
- 12) utiliser des accessoires autres que BRODA sur le fauteuil;
- 13) utiliser le fauteuil à des températures inférieures à 0 °C;

- 14) utiliser le fauteuil comme une chaise-douche/bain;
- 15) utiliser le fauteuil pour tout autre usage que ceux pour lesquels il est conçu.

2.7 Nettoyage

Les fauteuils BRODA devraient être nettoyés avec de l'eau et du savon, puis essuyés. Un nettoyant domestique dilué à base d'ammoniaque fort ou de chlore, ainsi qu'un nettoyant homologué pour les hôpitaux peuvent être utilisés au besoin.

Référez-vous au guide ci-dessous pour nettoyer certaines substances tachantes (s'applique au vinyle Permablok[®], selon les recommandations du fabricant). L'armature et les composantes du fauteuil peuvent être nettoyées en suivant la même procédure que pour le vinyle.

Les étapes ci-dessous se retrouvent également dans le guide de nettoyage situé au dos du fauteuil.

Substance tachante	Procédure de nettoyage
Ombre à paupière / Fard à cils	Étape 1
Graisse / Lotion solaire / Chocolat	Étape 1
Sang / Fluides corporels	Étape 2
Rouge à lèvres	Étape 2
Peinture à l'huile / Goudron / Asphalte	Étape 3
Autres taches tenaces	Étape 4 ou 5*

Étape 1 : Enlevez le plus gros avec un linge humide. Nettoyez avec un mélange 1:1 de liquide Ivory[®] et d'eau. Rincez à l'eau claire et laissez sécher.

Étape 2 : Vaporisez directement un nettoyant concentré tel que Formula 409[®] ou Fantastik[®]. Frottez ensuite avec un linge propre. Si vous utilisez un nettoyant homologué pour les hôpitaux, suivez les directives de dilution sur l'étiquette.

Étape 3 : Utilisez un mélange 1:1 d'ammoniaque et d'eau ou un mélange 1:4 d'eau de Javel et d'eau. Rincez à l'eau claire et laissez sécher.

Étape 4 : Appliquez du naphta (essence à briquet). Rincez abondamment à l'eau claire et assécher en tapotant.

Étape 5 : Utilisez un mélange 1:1 d'alcool isopropylique et d'eau. Si la tache persiste, utilisez de l'alcool pur. Rincez abondamment à l'eau claire et assécher en tapotant. Si la tache persiste encore, utilisez un mélange 1:1 d'acétone et d'eau. Rincez à l'eau claire et assécher en tapotant.

***Note :** Pour le nettoyage nécessitant les procédures des étapes 4 ou 5 ^æ. Utilisez un linge de coton souple imbibé du produit nettoyant et frottez la tache en dessinant des cercles une dizaine de fois. Asséchez en tapotant avec un autre linge de coton souple, et constatez le résultat.

Pour de meilleurs résultats de nettoyage, certaines pièces et rembourrages du fauteuil devraient être enlevées. Les directives pour l'enlèvement des pièces suivantes se retrouvent dans ce manuel. Assurez-vous de nettoyer complètement le fauteuil, incluant ses parties fixes et amovibles.

Portez une attention particulière à l'armature, aux douilles, fixations, pièces et roulettes, ainsi qu'au rembourrage pour un nettoyage uniforme et soigné.

Si désiré, enlevez les pièces suivantes pour le nettoyage:

- 1) Les oreilles
- 2) Le repose-pieds
- 3) Le rembourrage

Nettoyez soigneusement toutes les pièces amovibles et le rembourrage, ainsi que l'armature et les composantes autour des pièces et du rembourrage qui ont été enlevés.

Les fauteuils BRODA ne devraient pas être nettoyés avec des nettoyeurs à base de pétrole. Tout produit à base de pétrole entrant en contact avec n'importe quelle surface de vinyle devrait être enlevé aussi rapidement que possible. Les produits à base de pétrole rendent le vinyle fragile et endommageront la surface du siège et les coussins. Les pièces de métal et les coussins devraient être essuyés complètement après leur nettoyage. Ne pas laver le vinyle coussiné à la machine. Le siège en tissu éponge et la housse du dossier peuvent être lavés et séchés à la machine.

Ne laissez pas le fauteuil sécher à l'air libre. Cette façon de faire, qui ne garantit pas un séchage complet, peut faire rouiller l'armature et les composantes. Des solvants comme ceux qui se retrouvent dans les lubrifiants en aérosol ne devraient pas être utilisés sur les fauteuils BRODA, du fait qu'ils peuvent endommager les pièces mobiles.

La fréquence et la méthode de nettoyage des fauteuils devraient être déterminées par les protocoles de contrôle des infections de l'établissement. S'il est visiblement souillé, nettoyez immédiatement le fauteuil soigneusement selon les directives de nettoyage de ce manuel.

Les directives de nettoyage de ce manuel n'existent qu'à titre indicatif. Les résultats peuvent varier dans des conditions réelles. L'information ne dégage pas l'utilisateur d'un usage approprié et sécuritaire du fauteuil et des produits nettoyeurs, ni des considérations générales d'entretien et de nettoyage de celui-ci. Les directives de nettoyage et de soin doivent être suivies conjointement avec les protocoles de contrôle des infections de l'établissement.

BRODA n'acceptera pas les réclamations de garantie sur les fauteuils qui n'auront pas été nettoyés selon ces directives ou entretenus de façon à préserver la sécurité et l'hygiène du résident, des intervenants et des tierces personnes. L'utilisation de certaines substances peut nuire à l'apparence et la durée de vie du vinyle. BRODA n'assume aucune responsabilité résultant de l'utilisation de tels produits de nettoyage sur le vinyle.

De la peinture pour retouches est disponible pour l'armature peinte par pulvérisation. Veuillez appeler le service à la clientèle de BRODA si des retouches de peinture sont nécessaires. Ne laissez pas les fauteuils BRODA dehors, car l'armature n'est pas protégée contre les rayons UV. Laisser les fauteuils dehors pourra faire écailler la peinture.

Formula 409[®] est une marque de commerce de la compagnie *Clorox*.

Fantastik[™] est une marque de commerce de *DowBrands inc.*

Marque de commerce de la compagnie *Dow Chemical*

Ivory[®] est une marque de commerce de *Proctor and Gamble*.

2.8 Entretien

L'entretien sur un fauteuil BRODA variera en fonction de son utilisation et de l'état du résident en faisant usage.

En usage régulier, après l'inspection initiale et l'essai de fonctionnalité, le fauteuil devrait être inspecté et examiné bimensuellement. Nous recommandons une inspection visuelle régulière pour détecter des signes d'usure, des dommages, des fixations desserrées ou manquantes et autres préoccupations de sécurité. Un essai périodique des fonctions du fauteuil se révèle également nécessaire. Si un bris, une défectuosité ou un problème opérationnel sont détectés, le fauteuil doit être convenablement réparé, inspecté et testé avant d'être remis en service.

Le fauteuil devrait être inspecté et examiné aussi souvent qu'à chaque utilisation s'il est utilisé par :

- 1) des résidents agressifs ou agités;
- 2) des résidents qui se livrent à des mouvements involontaires;
- 3) des résidents pesant plus de 220 livres;
- 4) un établissement comportant des surfaces irrégulières ou en pente;
- 5) toute personne non autorisée.

N'utilisez aucun lubrifiant contenant des solvants. Ces derniers peuvent endommager toute composante en caoutchouc du fauteuil. Si nécessaire, une graisse blanche ou un lubrifiant de classe alimentaire peuvent être utilisés sur toutes composantes coulissantes.

3 ACTIONNEMENT ET DÉPLACEMENT

Les mesures de sécurité décrites à la Section 1 doivent être observées lors de l'actionnement des fonctions du fauteuil ou lors de son déplacement. Seuls les intervenants autorisés devraient actionner ou déplacer le fauteuil. L'intervenant doit utiliser une bonne mécanique corporelle lors de l'utilisation du fauteuil, et il doit être paré à soutenir le poids du résident tout en actionnant le fauteuil.

3.1 Mode berçant

Le fauteuil de marche Rocker comporte un mode berçant qui contribue à calmer les résidents agités. Le mode berçant peut être bloqué ou débloqué par l'intervenant. Le mode berçant peut être utilisé de façon indépendante ou conjointement avec l'inclinaison pour obtenir un angle d'inclinaison plus important (voir les directives – Inclinaison du siège).

Pour actionner le mode berçant :

- Assurez-vous que le siège est droit ou légèrement incliné (voir les directives – Inclinaison du siège).
- Appuyez et bloquez la poignée du mode berçant après l'armature.

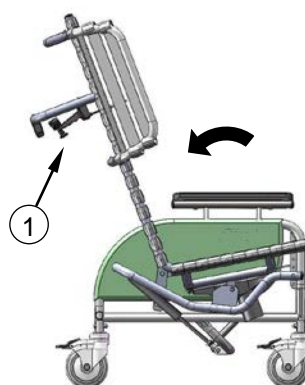
- Ajustez la tension de bascule en fonction du résident dans le fauteuil (voir les directives – Tension de bascule).

Pour désactiver le mode berçant :

- Débloquez la poignée du mode berçant d'après l'armature.

ATTENTION : NE PAS placer la main près de la gaine du câble sur la poignée au risque de se faire pincer.

- Laissez le siège s'engager à la position désirée. Pour l'engager le plus droit possible, le siège peut devoir être soulevé légèrement pour le guider à sa place.



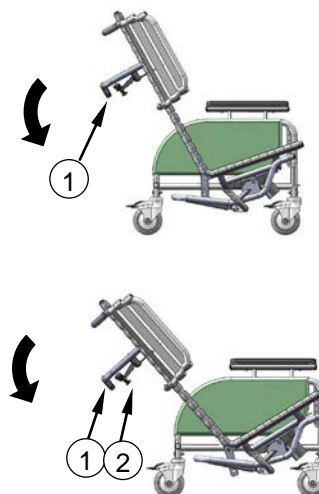
3.2 Inclinaison du siège

Les cylindres au gaz permettent d'incliner le siège à n'importe quelle position, de la plus relevée à la plus basse dans son rayon d'action. Utilisez l'inclinaison du siège pour positionner le résident de façon sécuritaire, répartir la pression et augmenter le confort. Le siège inclinable du fauteuil de marche berçant Rocker est conçu pour permettre une propulsion avec les pieds en position inclinée.

Pour actionner l'inclinaison du siège :

- Placez votre main droite sur la barre pour aider le mouvement et appuyez sur la poignée d'inclinaison avec votre main gauche.
- Élevez ou abaissez le siège jusqu'à ce que l'angle désiré soit atteint.

La fonction d'inclinaison et le mode berçant peuvent être combinés pour obtenir une inclinaison plus importante, en procédant d'abord à l'inclinaison et en actionnant ensuite le mécanisme de bascule.



3.3 Tension de bascule

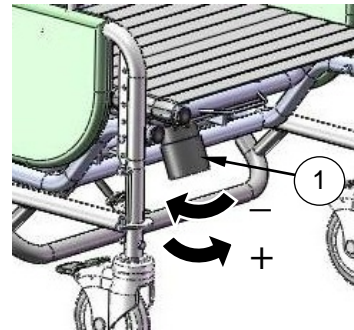
La tension de bascule peut être ajustée pour accommoder le poids spécifique de chaque résident. Dans le but de bercer facilement, la tension de bascule devrait être modifiée comme suit :

- diminuée pour les occupants plus légers;
- augmentée pour les occupants plus lourds.

En présence de résidents aux mouvements saccadés, la tension de bascule peut devoir être augmentée selon leur propension à bercer.

Pour ajuster la tension de bascule :

- Tournez la poignée dans le sens horaire pour diminuer la tension (occupants plus légers).
- Tournez la poignée dans le sens antihoraire pour augmenter la tension (occupants plus lourds).



3.4 Oreilles amovibles

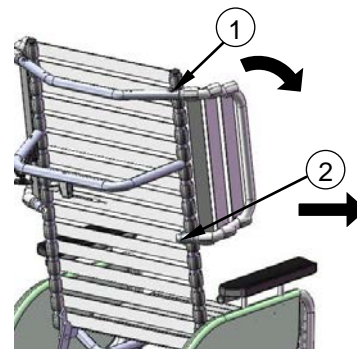
Les oreilles supportent les coussins pour épaules, qui offrent au résident un soutien latéral du tronc.

Pour enlever l'oreille :

- Enfoncez le bouton-poussoir du haut (1) et retirez l'oreille de son réceptacle. L'oreille se trouve ainsi dégagée et partiellement enlevée.
- Pour enlever l'oreille complètement, enfoncez le bouton-poussoir du bas (2) et la tirer hors du réceptacle.

Pour insérer l'oreille :

- Insérez l'extrémité inférieure de l'oreille dans le réceptacle inférieur. Insérez ensuite l'extrémité supérieure dans le réceptacle supérieur. Assurez-vous que l'oreille est bien bloquée en position.



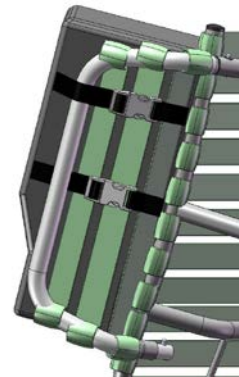
3.5 Coussins pour épaules

Les coussins pour épaules procurent un soutien à la partie supérieure du tronc, constituent une protection et un confinement, et accommodent les asymétries de l'utilisateur du fauteuil. Leur conception unique permet un accès aisé du coude à l'accoudoir. Le coussin pour épaule est toujours utilisé conjointement avec l'oreille latérale.

Pour fixer les coussins pour épaules :

- Passez les deux courroies des coussins pour épaules entre la courroie intérieure de l'oreille et l'armature du fauteuil.
- Attachez les boucles et tirez sur la courroie pour bien fixer le coussin à l'oreille. Le coussin peut être monté ou descendu si désiré.

Note : Le coussin pour épaules peut être inversé sur l'oreille dans le but de procurer un soutien aux résidents plus élançés.

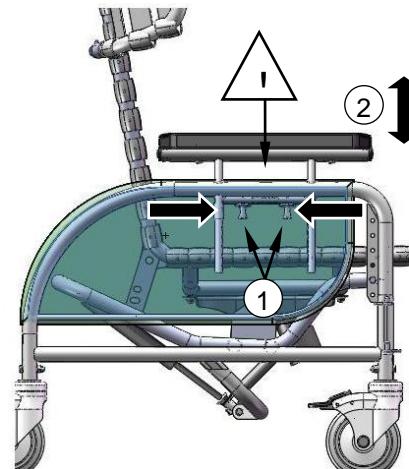


3.6 Accoudoirs à hauteur ajustable

La hauteur de l'accoudoir peut facilement être ajustée pour accommoder chaque résident. La hauteur de l'accoudoir devrait être ajustée de sorte à offrir un soutien approprié au bras du résident, tel que déterminé par l'intervenant.

Pour ajuster la hauteur de l'accoudoir :

- Pressez ensemble les tiges situées sous l'accoudoir.
ATTENTION : NE PAS placer les doigts dans le haut des tiges, au risque de se faire pincer. Placez les doigts à l'emplacement concave sur les tiges.
- Élevez ou abaissez l'accoudoir à la hauteur désirée.
ATTENTION : NE PAS placer les doigts sous l'accoudoir d'aucune façon au moment de l'ajustement, au risque de se faire pincer. En relâchant les tiges, l'accoudoir se bloquera en place à la hauteur choisie.
- Fixez le côté extérieur du panneau latéral.



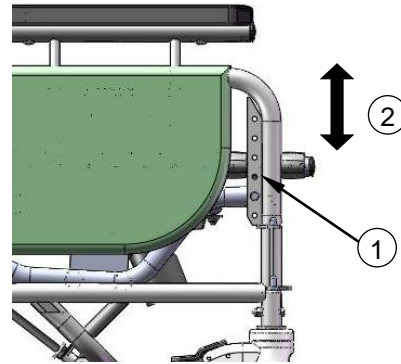
3.7 Siège à hauteur ajustable

La hauteur entre le siège et le sol est ajustable afin d'obtenir la meilleure position des pieds au sol pour une propulsion efficace avec les pieds.

Pour ajuster la hauteur du siège :

- À l'aide d'une clé 7/16", enlevez les boulons.
- Élevez ou abaissez l'avant du siège vis-à-vis les trous correspondant à la hauteur désirée.
- Insérez les boulons dans les trous sélectionnés et les resserrez.

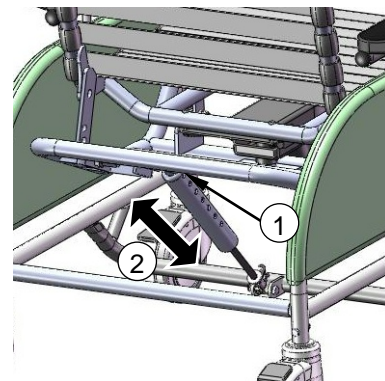
Changer la hauteur du siège sur le fauteuil de marche (Pedal Chair) peut affecter le rayon d'inclinaison du siège, étant donné que seul l'avant du siège est élevé. Si désiré, une barre PAB d'ajustement de la longueur peut être utilisée sur le cylindre d'inclinaison pour maintenir le rayon d'action original.



3.8 BARRE PAB (facultative)

La barre PAB peut être utilisée pour maintenir le rayon d'inclinaison original quand la hauteur du siège a été ajustée.

- Retirez les boulons et les rondelles d'espacement en haut du cylindre.
- Glissez la barre PAB par-dessus le haut du cylindre.
- Déterminez la hauteur de la barre PAB et insérez un boulon de 2 1/4" dans le trou approprié. Après avoir inséré le boulon, placez 2 rondelles d'espacement (1/2" et 3/8") avant d'insérer le boulon à travers le cylindre.
- Insérez le boulon à travers le cylindre et serrez-le. Fixez la partie du haut de la barre PAB au dos du fauteuil.



3.9 Roulettes

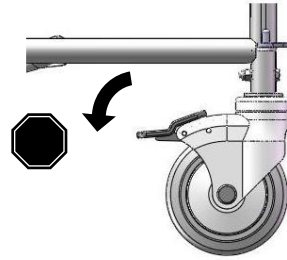
Le fauteuil de marche berçant (Rocker) est équipé de roulettes avant de 5" autobloquantes à toutes positions et de roulettes arrière de 5" fixes.

Pour actionner les roulettes :

Appuyez sur l'avant ou l'arrière de la pédale pour bloquer ou débloquer la roulette.

Assurez-vous toujours que les freins sont débloqués lorsque vous déplacez le fauteuil.

Pour les roues en alliage léger (mag), bloquez et débloquez à l'aide du frein à main.



3.10 Accessoires (en option)

Nous recommandons les accessoires BRODA seulement sur les fauteuils BRODA. L'installation adéquate d'un accessoire BRODA est très importante. Nous recommandons que le fauteuil BRODA soit commandé avec les accessoires requis déjà installés. Seuls les intervenants qui connaissent à fond les procédures d'installation des accessoires devraient installer leurs accessoires BRODA sans l'assistance du représentant BRODA de leur région. BRODA ne recommande pas l'utilisation des accessoires d'un autre fabricant sur les fauteuils BRODA.

4 INSPECTION ET ESSAI DE FONCTIONNALITÉ

Les mesures de sécurité décrites à la Section 1 doivent être observées au moment de l'inspection ou de l'essai de fonctionnalité du fauteuil. Seuls les intervenants autorisés ou le personnel d'entretien devraient inspecter ou tester un fauteuil.

4.1 Inspection

Nous recommandons une inspection visuelle régulière pour détecter des signes d'usure, des dommages, des dispositifs desserrés ou manquants et autres préoccupations de sécurité. Si un bris, une défectuosité ou un problème opérationnel sont détectés, le fauteuil doit être réparé, inspecté et testé avant d'être remis en service.

Nous recommandons que le fauteuil soit inspecté aussi souvent qu'à chaque utilisation si quelque raison pousse à envisager la possibilité d'une usure prématurée, d'un desserrage ou d'un démantèlement de certains dispositifs. **Au minimum, en usage régulier, le fauteuil devrait être inspecté sur une base bimensuelle.** La procédure d'inspection visuelle devrait au moins comprendre l'observation de chaque dispositif (fixations) :

La procédure d'inspection visuelle devrait au moins inclure l'observation des pièces suivantes :

- 1) les cylindres qui positionnent l'inclinaison du siège;
- 2) les courroies de vinyle qui composent le siège, le dossier et les oreilles;
- 3) les coussins;
- 4) les poignées et câbles arrière;
- 5) les tiges d'ajustement de la hauteur des accoudoirs.

La procédure d'inspection visuelle devrait inclure l'observation de tous les accessoires installés. L'inspection visuelle devrait être effectuée par l'établissement ou, dans le cas d'une résidence privée, par l'individu responsable du fauteuil.

4.2 Essai de fonctionnalité

Nous recommandons que les fonctions du fauteuil soient tout d'abord testées avant d'y asseoir un résident.

Ces essais peuvent devoir être réalisés aussi souvent qu'à chaque utilisation si quelque raison pousse à envisager la possibilité d'une usure prématurée ou d'un dommage aux composantes du fauteuil. Au minimum, en usage régulier, les fonctions du fauteuil devraient être testées selon les directives de la Section 3.

Si l'intervenant ou le personnel d'entretien responsable des essais considèrent que n'importe quelle fonction ne s'effectue pas correctement, le fauteuil doit être mis hors service jusqu'à ce qu'un essai de fonctionnalité se révèle concluant.

L'intervenant ou le personnel d'entretien responsable des essais doivent savoir que l'inclinaison du siège sera effectuée plus difficilement sans un résident dans le fauteuil. Au moment des réparations ou de l'entretien, ne pas utiliser de lubrifiants contenant des solvants. Ces derniers endommageront plusieurs composantes mobiles dans le fauteuil. Si nécessaire, de la graisse (lubrifiante) blanche de classe alimentaire peut être utilisée sur les composantes coulissantes. N'appliquer de lubrifiants en aérosol sur aucune pièce.

5 INFORMATION TECHNIQUE

5.1 Spécifications

Spécifications basées sur les caractéristiques standard d'un fauteuil de marche berçant (Rocker) de 20" de largeur




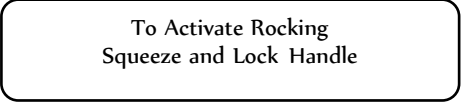
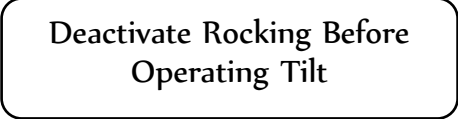
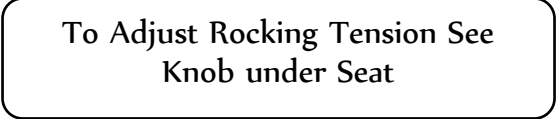
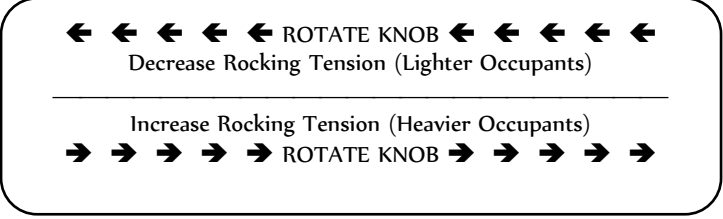
1. Inclinaison du siège : Jusqu'à 18° d'inclinaison du siège (ajustable à toutes positions) et jusqu'à 33° d'inclinaison du siège, ajustable à toutes positions, lorsque combiné avec le mode berçant.
2. Mode berçant Permet à l'utilisateur de bercer doucement le fauteuil quand il y est assis. L'intervenant peut actionner ou désactiver le mode berçant. La tension de bascule peut être ajustée selon le poids de l'individu dans le fauteuil.
3. Armature : Acier tubulaire de calibre 16 recouvert de peinture en poudre pulvérisée
4. Surface du siège et du dossier : Les courroies BRODA Comfort Tension Seating™ de 1,5" de largeur par 0,130" d'épaisseur; comportent un fongicide, ont une mémoire de forme et sont ignifuges.
5. Accoudoirs : Hauteur de l'accoudoir ajustable
6. Rembourrage : Rembourrage standard amovible – Coussin de tête et coussins latéraux inférieurs
Le vinyle de recouvrement de 34 onces spécifique aux soins de santé est fabriqué pour satisfaire les normes suivantes : DIN 75 200/DIN 53 438; MVSS 302, M2; CAL 117, et satisfaire le test Wyzenbeck de résistance à l'abrasion. Sa surface antimicrobienne, antibactérienne, antitache et antistatique résiste aux craquelures jusqu'à -20 °C. Sa mousse en polyuréthane satisfait les normes CAL 117-2013.

Les coussins amovibles du siège et du dossier sont recouverts d'un vinyle souple de 8 onces qui satisfait la norme CAN2-162 d'inflammabilité des textiles utilisés dans les hôpitaux. Leur mousse en polyuréthane satisfait les normes CAL 117-2013. Des housses sur mesure en ratine de coton précontrainte amovibles et lavables sont fournies pour les coussins du siège et du dossier. Les housses en ratine de coton sont absorbantes et permettent le transfert de la vapeur et de la chaleur.
7. Roulettes : Roulettes avant de 5" autobloquantes à toutes positions et roulettes arrière de 5" fixes
8. Profondeur du siège : 17"
9. Hauteur du siège : Ajustable de 14" à 19"
10. Largeur du siège : 20" (aussi 18" standard)
11. Largeur hors tout : 25"
12. Capacité de charge : 250 lb
13. Poids total : Approx. 80 lb avec les caractéristiques standard

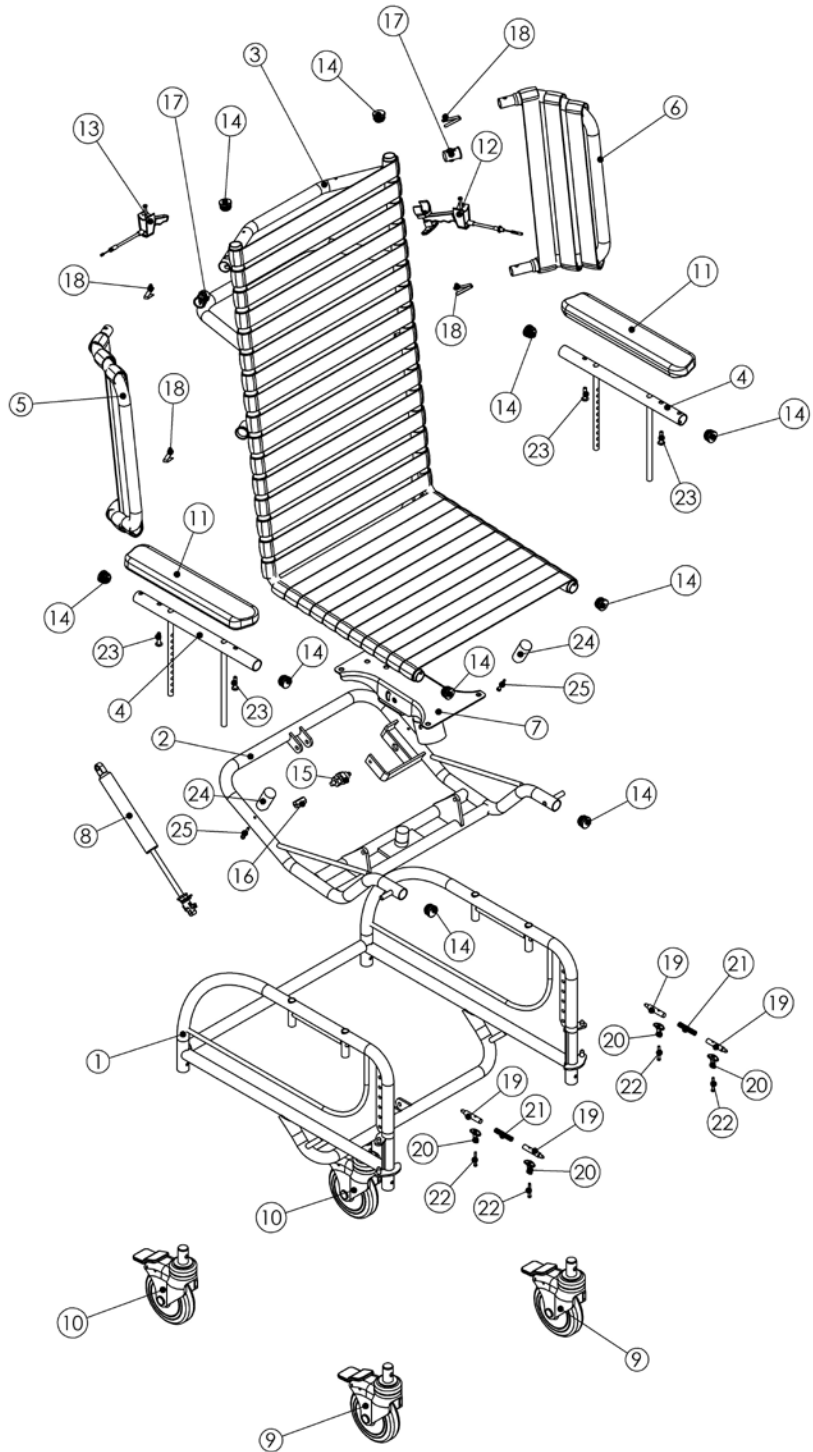
Toutes les dimensions comportent un jeu de $\pm 0,5$ ".

5.2 Étiquettes

BRODA utilise certaines étiquettes pour aider les intervenants à repérer et identifier les éléments qui permettent l'actionnement des fonctions du fauteuil.

<p>Étiquette du fabricant (blanc)</p> 	<p>Étiquette du numéro de série (gris)</p> 
<p>Étiquette pour l'inclinaison (beige)</p> 	<p>Étiquette du mode berçant</p> 
<p>Étiquette de la fonction inclinaison et du mode berçant</p> 	<p>Étiquette d'avis d'ajustement du mode berçant</p> 
<p>Étiquette d'ajustement du mode berçant</p> 	

5.3 Vue explosive des pièces du fauteuil de marche berçant (Rocker) modèle 48R de BRODA



**Numéros de référence des pièces du schéma du Fauteuil
de marche berçant (Rocker) modèle 48R de Broda**

#	Description	Quantity	Item
1	Base Frame 48R (width) (color)	1	BASE-48R
2	Seat Frame Sub Tilt 48R (width) (color)	1	SEAT-SUBTILT-48R
3	Tilt Seat Frame One Piece 48R (width) (color)	1	SEAT/BACK-48R
4	Arm Frame Height Adjustable V2/V3 (left/right) (color)	2	ARM-TOP
5 & 6	Wing Strapped Frame Removable (left/right) (color)	1	WING-STRAP
7	Rocking Mechanism 48R	1	ROCKMECH
8	Cylinder Gas Spring 600N and Actuator w/lever	1	CYL-LOCK-KIT
9	Caster 5 Total Lock (color)	2	CASTER-5"TL
10	Caster 5 Fixed (color)	2	CASTER-5"FX
11	Armrest Soft	2	AR
12	Cable and Handle Assembly 48R Rocking Mechanism	1	CAB-HAND-48R
13	Cable and Handle Assembly (cable length 48")	1	CABLE-HAND
14	Plug rnd 1" 16-18ga inside ribbed	10	REPLACEMENT HARDWARE
15	Locking Mechanism for 48R (plunger)	1	PR-LOCK
16	Coupling 8mm to 10-24" Thread	1	COUPLING
17	Bushing arm sleeve	2	BUSH-ARM-SLV
18	Spring for Arm Bottoms and Wings	4	DETENT-PIN
19, 20, 21 & 22	Push Pin Assembly (Kit)	2	PUSH-PIN
23	Screw 1/4-20x1-1/4 pan quad, zinc	4	REPLACEMENT HARDWARE
24	Die Spring	2	DIE-SPRING
25	Screw # 8 x 1-1/2" Pan Quad Zinc	2	REPLACEMENT HARDWARE

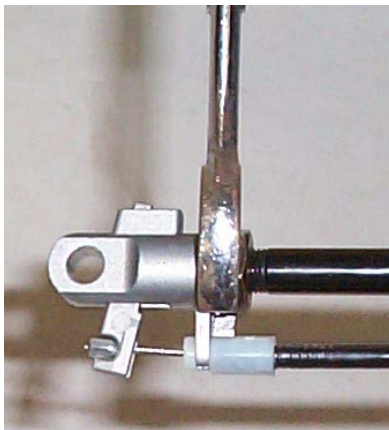
6 DÉPANNAGE COURANT ET RÉPARATION

Nous vous prions d'avoir le numéro de série du fauteuil à portée de main lorsque vous communiquez avec BRODA ou le représentant de votre région pour des pièces ou de l'assistance. Le numéro de série se trouve sur une étiquette grise apposée au dos du fauteuil.

6.1 Dépannage pour cylindres au gaz

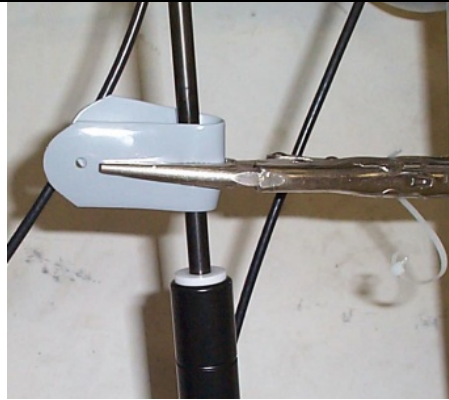
L'utilisation d'amortisseurs au gaz (cylindres) sur les produits BRODA permet de réduire les efforts de l'intervenant au minimum lors des ajustements d'inclinaison du siège, d'allongement du dossier et d'élévation du repose-jambes, qu'il peut ainsi effectuer facilement. Les cylindres sont remplis d'azote, un gaz ni inflammable ni toxique. Les cylindres procurent une force de levage qui fait contrepoids sur l'occupant, réduisant ainsi le poids devant être soulevé par l'intervenant.

Symptôme	Problème	Solution
Le fauteuil ne s'incline pas en appuyant sur la poignée	La goupille à l'extrémité du cylindre n'est pas enfoncée en appuyant sur la poignée.	Assurez-vous que le câble est bien fixé au vérin du cylindre. Si le câble y est fixé, voir les étapes d'ajustement ci-dessous.
Le fauteuil semble être lent à changer de position (inclinaison).	La goupille à l'extrémité du cylindre peut être partiellement enfoncée.	Voir les étapes d'ajustement ci-dessous.

Étapes d'ajustement	
<ul style="list-style-type: none"> - Desserrez le contre-écrou situé sur la tige du cylindre au gaz, à côté du vérin (clé 17 mm ou 11/16"). - Selon le diagnostic du point précédent, déterminez si vous devez enrouler la tige davantage dans le vérin ou hors du vérin. Enroulez la tige davantage dans le vérin si le fauteuil ne s'incline pas ou ne s'allonge pas (enroulez dans le sens horaire). Vous devez enrouler la tige davantage hors du vérin si le fauteuil est lent à changer de position (enroulez dans le sens anti-horaire). - Enroulez la tige un demi-tour dans la bonne direction. - Vérifiez le fonctionnement du cylindre, et répétez les étapes ci-dessus jusqu'à ce qu'il fonctionne correctement. - Resserrez le contre-écrou desserré à la première étape. - Si l'ajustement du cylindre ne règle pas le problème, il se peut qu'il doive être remplacé. Nous vous prions alors de communiquer avec BRODA ou avec le représentant de votre région. 	 <p>Note : Le cylindre n'a pas besoin d'être enlevé du fauteuil pour faire cet ajustement.</p>

Note : Lors de l'ajustement des cylindres avec des outils qui rentrent en contact avec les tiges du cylindre, il importe de recouvrir la tige d'un morceau de courroie en vinyle, de caoutchouc ou d'un autre matériau de protection pour garder la surface coulissante de la tige intacte. Si la tige est éraflée ou marquée, cela endommagera le joint d'étanchéité du cylindre et l'endommagera.

Endommager un cylindre de cette façon annulera la garantie du fabricant.



7 Garantie

BRODA SEATING **GARANTIE**

BRODA fournit une garantie de trois ans sur l'armature du fauteuil, et une garantie de un an sur les autres composantes, sous réserve des conditions suivantes :

Aucune garantie sur les coussins de siège et les housses en tissu.

Les armatures de fauteuil sont garanties pendant une période de trois ans contre les défauts ou les bris structurels. Toutes les autres pièces (à l'exception des coussins de siège et des housses en tissu), incluant mais sans y être limité, les courroies, coussins, amortisseurs au gaz et fixations, roulettes, roues, freins et accoudoirs sont garanties pièces et main-d'œuvre pendant une période de un an contre les défauts, dans des conditions d'utilisation normale dans une institution. La garantie ne couvre pas les dommages malveillants ou délibérés ni les dommages occasionnés par de l'abus. La garantie ne couvre pas l'utilisation des fauteuils BRODA dans une douche ou une piscine, à l'exception de la chaise d'aisance/douche BRODA.

Les modifications des produits BRODA pour l'utilisation d'accessoires autres que BRODA annulent la garantie. Cette garantie ne couvre pas les dommages occasionnés par l'expédition (voir ci-dessous).

BRODA fournira des pièces neuves ou remises à neuf à installer par le propriétaire, sans frais, après avoir reçu la confirmation de leur remplacement par le représentant BRODA régional ou le représentant du service à la clientèle du siège social de BRODA. Sur demande, les pièces défectueuses devront être retournées à l'usine dans les trente jours suivant la réception des pièces de remplacement par le propriétaire. Si les pièces défectueuses ne sont pas retournées à la demande de BRODA, le propriétaire devra acquitter le coût des pièces de remplacement facturées par BRODA.

La garantie n'inclut pas le coût de la main-d'œuvre pour l'installation sur place des pièces sous garantie ou des réparations sous garantie. Le propriétaire doit retourner les produits pour remplacement ou réparation sous garantie à BRODA, en expédiant les articles prépayés et assurés à l'usine. Les travaux sous garantie effectués à l'usine incluent les pièces et la main-d'œuvre. Les pièces peuvent être réparées ou remplacées à la discrétion de BRODA. Tous les retours à l'usine requièrent une autorisation préalable de BRODA.

BRODA se réserve le droit de faire des changements de conception et d'application sans préavis. Toutes les commandes seront traitées avec les modèles actuels BRODA, à moins d'indication contraire de la part de l'acheteur.

Les fauteuils BRODA sont conçus pour la mobilité, le positionnement et le confort du résident, spécialement en position assise, toutefois, l'application des produits BRODA doit demeurer la responsabilité de l'acheteur ou de l'utilisateur.

Cette garantie n'est pas transférable.

RETOURS

BRODA Seating n'acceptera aucun retour sans un numéro d'autorisation de retour de marchandises au préalable. Vous êtes priés de communiquer avec un représentant du service à la clientèle de notre siège social au 1-800-668-0637 pour de l'assistance. Les retours doivent être assurés lorsqu'ils sont expédiés.

LIVRAISON ENDOMMAGÉE

SIGNEZ TOUT DOMMAGE AU TRANSPORTEUR IMMÉDIATEMENT

Il est de la responsabilité de la personne qui accuse réception de la marchandise d'examiner les boîtes et leur contenu avant d'accepter leur réception. Notez tout dommage sur le bon de connaissance et remplissez un formulaire de réclamation si nécessaire. Signalez tout dommage non apparent au transporteur dans un délai maximum de 48 heures. .

BRODA assure tous les produits pour les dommages en transit. Le défaut de signaler des dommages en transit au transporteur annulera l'assurance et la garantie de BRODA. Si vous avez besoin d'assistance, vous êtes priés de communiquer avec notre siège social au 1-800-668-0637.

TAXES DE VENTE

La plupart des produits BRODA sont classés Zéro-T.P.S. et sont exempts de la taxe de vente provinciale au Canada. Les acheteurs peuvent devoir vérifier avec le Bureau du fisc de leur province ou État pour valider les modalités d'impôt.



Manual de operaciones

Mecedora de ruedas fijas modelo 48R



Se ilustra mejora total de acojinamiento

Distribuidor/ Representante: Este manual debe entregarse al cuidador responsable por esta silla y su ocupante.

Cuidador: Lea este manual por completo antes de usar esta silla y guárdelo para referencia a futuro.

Índice

ANTECEDENTES	1
INFORMACIÓN GENERAL	2
1 DEFINICIONES	3
2 REQUERIMIENTO DE SEGURIDAD	4
2.1 Capacitación	4
2.2 Aplicación	4
2.3 Envío y almacenaje	4
2.4 Revisión antes de poner la silla en servicio	5
2.5 Peligros.....	5
2.5.1 Posición de la silla - "Peligro de caída"	5
2.5.2 Posición de inclinación de la silla - "Peligro de volteo"	5
2.5.3 Ubicación de la silla - "Peligro de que objetos se volteen o caigan"	5
2.5.4 Frenos de ruedas con bloqueo total - "Peligro de caer"	5
2.5.5 Reposicionamiento del residente - "Peligro de pellizco"	6
2.5.6 Movimientos no intencionados - "Peligro de caer o chocar"	6
2.5.7 Ropa del residente - "Riesgo de lesionar la piel del residente"	6
2.5.8 Uso inapropiado de sujeciones - "Riesgo de lesiones graves"	6
2.6 Uso inapropiado	7
2.7 Limpieza.....	7
2.8 Mantenimiento	8
2.9 Instrucciones específicas para los residentes.....	10
3 OPERACIÓN Y MOVIMIENTO	11
3.1 Función de mecedora.....	11
3.2 Inclinación de la silla.....	12
3.3 Tensión de la mecedora.....	12
3.4 Alas removibles.....	12
3.5 Soportes para hombros.....	13
3.6 Descansabrazos de altura ajustable	13
3.7 Altura ajustable del asiento	14
3.8 BARRA PAB (Opcional)	14
3.9 Ruedas	15
3.10 Accesorios (Opciones).....	15
4 INSPECCIÓN Y PRUEBAS DE FUNCIONES	16
4.1 Inspección	16
4.2 Pruebas funcionales.....	16
5 INFORMACIÓN TÉCNICA.....	17
5.1 Especificaciones	17
5.2 Etiquetas	18
5.3 Esquema de las piezas de la mecedora de ruedas fijas 48R de BRODA Seating.....	19
6 SOLUCIÓN DE PROBLEMAS COMUNES Y REPARACIONES.....	21
6.1 Solución de problemas para cilindros de gas.....	21
7 GARANTÍA	23

ANTECEDENTES

Felicitaciones por la compra de una silla BRODA y gracias por su confianza en nuestra empresa y nuestros productos.

BRODA asume un papel de líder al proporcionar funciones óptimas para el reposicionamiento y la movilidad de residentes de instituciones que ofrecen cuidados a largo plazo. Nuestras sillas no se parecen a las sillas tradicionales y ofrecen ventajas únicas de BRODA. Estamos seguros de que después de usar su silla BRODA se convencerá de que la calidad de vida de sus residentes mejorará en gran medida.

Este manual le ayudará a darle el mejor uso posible a la capacidad de su silla BRODA y garantizará que se familiarice rápidamente con su operación.

Después de leer este manual, si tiene cualquier pregunta sobre la operación segura y efectiva de su silla BRODA o sus accesorios, comuníquese con su representante local de BRODA o el personal de Servicio al cliente de nuestra Oficina principal para recibir ayuda adicional.

Oficina principal:

BRODA Seating

560 Bingemans Centre Drive

Kitchener, Ontario, Canadá N2B 3X9

Teléfono: (519) 746-8080 Llamada sin costo en Canadá/EE.UU.: 1-800-668-0637

Fax: (519) 746-8616

Correo electrónico: sales@brodaseating.com

Internet: www.brodaseating.com

INFORMACIÓN GENERAL

Este documento es una guía sobre la operación segura y efectiva de la silla BRODA.

La información en este manual debe obedecerse en todo momento.

Todas las personas involucradas con la operación o el mantenimiento de la silla BRODA, incluso los parientes de los residentes, deben leer este manual de operaciones antes de usar la silla.

El cuidador primario del residente tiene la responsabilidad de asegurarse que todas las personas que no estén familiarizadas, que no quieran o no puedan seguir las instrucciones de seguridad y operación, no tienen permiso para operar o mover la silla.

Siempre debe haber una copia de este manual de instrucciones disponible.

BRODA no acepta responsabilidad alguna por daños, lesiones o accidentes ocasionados por errores de operación, mantenimiento inadecuado o por ignorar las instrucciones en este manual, incluso las instrucciones específicas para los residentes.

BRODA se reserva el derecho a hacer cambios en las especificaciones, dimensiones, funciones o componentes de sus productos sin previo aviso. Las presentaciones de los productos en este manual pueden ser distintas a los productos entregados.

Cada silla BRODA tiene un número de serie único para identificación que se debe conservar en la silla al igual que todos los registros del equipo.

1 DEFINICIONES

"BRODA" significa BRODA Enterprises Inc., haciendo negocio como BRODA Seating.

"Silla BRODA" se refiere a la mecedora de ruedas fijas Modelo 48R.

"Institución que ofrecen cuidados a largo plazo" se refiere a asilos, hospitales u otras instalaciones para el cuidado de la salud que ofrezcan cuidados de salud y atención personal a sus residentes de forma prolongada.

"Residente" se refiere a un individuo que vive en una institución que ofrece cuidados a largo plazo bajo el cuidado de cuidadores profesionales.

"Cuidador profesional" se refiere a doctores, enfermeras, terapeutas, asistentes de enfermería, asistentes de la salud y otros especialistas que trabajan en una institución que ofrece cuidados a largo plazo y brindan atención de la salud y personal a sus residentes.

"Cuidador" se refiere a cualquier persona en una institución que ofrece cuidados a largo plazo que cuenta con la capacitación apropiada para proporcionar cuidados o servicios al residente o la silla empleada por el residente y puede incluir los parientes o el tutor del residente.

"Inclinación de la silla" se refiere al cambio con relación al ángulo entre el asiento de la silla y el marco de la silla o el piso sin cambiar el ángulo relativo entre el respaldo y el asiento.

"Transferencia" se refiere al movimiento de un residente a o desde la silla con la ayuda de su(s) cuidador(es).

"Transferencia mecánica" se refiere al movimiento de un residente a o desde la silla con la ayuda de su(s) cuidador(es) con el uso de un elevador para pacientes u otro dispositivo de ayuda que soporte el peso del residente.

2 REQUERIMIENTO DE SEGURIDAD

2.1 Capacitación

El cuidador directamente responsable por el cuidado del residente debe leer este manual por completo antes de poner la silla en servicio.

Después de poner la silla en servicio, todos los nuevos cuidadores deben leer este manual por completo antes de operar o mover la silla.

Para fines de este manual, un pariente del residente que comparte la responsabilidad de su cuidado se considera un cuidador y está sujeto al mismo requerimiento antes de que el cuidador primario del residente le autorice operar o mover la silla.

Antes de su primer uso, el cliente debe hacer los arreglos para recibir una capacitación sobre los requerimientos de operación y seguridad en este manual; el representante local de BRODA que proporcionó la silla debe otorgarlo para los cuidadores del residente.

El cuidador primario debe mantener una lista de los cuidadores que han leído este manual y quienes tienen autorizado operar y mover la silla.

El cuidador primario del residente tiene la responsabilidad de asegurarse que todas las personas que no estén familiarizadas, que no quieran o no puedan seguir las instrucciones de seguridad y operación, no tengan permiso para operar o mover la silla.

El cuidador primario del residente responsable por sentarlo debe llevar a cabo la operación de la silla. Todas las operaciones y los ajustes realizados deben hacerse de forma que se garantice la seguridad, comodidad y bienestar generales del residente, el cuidador y cualquier tercero. El cuidador primario del residente, responsable por sentarlo determina todas las operaciones y ajustes que se requieran para el residente.

2.2 Aplicación

Las sillas BRODA están diseñadas exclusivamente para residentes de instituciones que ofrecen cuidados a largo plazo bajo el cuidado de cuidadores profesionales. Un cuidador calificado, familiarizado con las necesidades de sentar al residente en particular, debe determinar la viabilidad de una silla BRODA. Todos los otros usos de la silla se excluyen de cualquier demanda por responsabilidad civil.

La mecedora de ruedas fijas no debe utilizarse en la regadera. El marco y los componentes se oxidarán, e invalidarán la garantía.

Las sillas no son resistentes a explosiones y no se deben utilizar en lugares donde haya gases o líquidos inflamables (por ejemplo, anestésicos, solventes y limpiadores volátiles, etc.).

Las sillas BRODA están diseñadas para uso con piezas y accesorios específicos de BRODA. El uso de piezas y accesorios distintos a los de BRODA con una silla BRODA invalidará la garantía y la excluye de posibles demandas de responsabilidad civil.

Las sillas BRODA solamente pueden emplearse como se describe en este manual y con atención adecuada a las prácticas reconocidas del cuidado de la salud y la seguridad en el sitio de trabajo y para prevención de accidentes.

2.3 Envío y almacenaje

Las sillas BRODA deben enviarse y almacenarse en posición vertical y sin estibar más de 3 cajas. No debe enviarse o almacenarse ningún otro material sobre una caja de BRODA. Las cajas de BRODA no deben colocarse en tarimas.

Las sillas BRODA deben enviarse y almacenarse a temperaturas entre -20°C y 40°C. Las sillas BRODA no deben usarse hasta tener temperaturas entre 0°C y 30°C.

Las sillas BRODA deben mantenerse en un medio ambiente limpio y seco. No deje las sillas BRODA en el exterior ya que puede ocasionar que la pintura se desprenda.

Una vez recibido, la caja del envío debe revisarse de inmediato por daños. Todos los daños deben anotarse en el recibo de entrega y se debe hacer una solicitud de inspección por parte de la empresa de transporte. Después, la caja del envío debe abrirse y se debe examinar la silla en busca de daños ocultos causados por el envío. Si la silla parece estar dañada, no la utilice. Haga un reporte de daños ocultos ante la empresa de transporte.

2.4 Revisión antes de poner la silla en servicio

Las sillas BRODA se entregan totalmente armadas. Si la silla no parece estar lista para su uso al recibirla, comuníquese de inmediato con su proveedor y no utilice hasta que se hayan resuelto todas las inquietudes.

Inspeccione la silla de forma visual en busca de daños, piezas faltantes y sujetadores flojos antes de probar las funciones de la silla. Las pruebas funcionales deben realizarse con éxito después de la inspección visual y antes del uso. These obligations apply to the chair's first use and to all subsequent uses (Section 4: Inspection and Functional Testing). Esto es obligatorio para el primer uso de la silla y todos los usos siguientes. (Sección 4: Inspección y pruebas funcionales).

2.5 Peligros

2.5.1 Posición de la silla - "Peligro de caída"

Después de transferir al residente sobre la silla, evaluar la cantidad de inclinación requerido para evitar que el residente resbale o se caiga hacia delante desde la silla. El cuidador del residente responsable por sentarlo debe determinar la cantidad de inclinación del asiento.

Recomendamos que los pies del residente se coloquen correctamente en el descansapiés y de poco a totalmente elevados para evitar que el residente resbale o caiga hacia delante de la silla. El cuidador del residente responsable por sentarlo debe determinar la cantidad de elevación.

2.5.2 Posición de inclinación de la silla - "Peligro de volteo"

Recomendamos que el asiento de la silla se incline lo suficiente para prevenir que un residente inquieto voltee la silla hacia delante o hacia atrás, o que se resbale y caiga de la silla. El cuidador del residente responsable por sentarlo debe determinar la cantidad de inclinación del asiento. Asegúrese siempre que el residente está colocado correctamente antes de operar la inclinación del asiento.

2.5.3 Ubicación de la silla - "Peligro de que objetos se volteen o caigan"

Recomendamos que cuando un residente llegue a su destino, se coloque su silla donde el residente no pueda alcanzar pasamanos u otros objetos, fijos o móviles. De esta forma se evita que el residente jale la silla o se jale fuera del asiento y para evitar que el residente jale objetos móviles sobre la silla y él mismo.

Recomendamos que la silla se utilice en un área con supervisión para evitar que residentes, cuidadores o terceras personas sin capacitación realicen operaciones y movimientos no autorizadas, o acciones no seguras como por ejemplo sentarse o inclinarse en el respaldo inclinado, descansapiés elevado o los descansabrazos. Estas acciones, si no se evitan, ponen la silla en peligro de voltearse o daños a la silla.

Recomendamos que las sillas se coloquen solamente en superficies planas para minimizar el riesgo de voltearse.

2.5.4 Frenos de ruedas con bloqueo total - "Peligro de caer"

Las ruedas especiales utilizadas en la silla BRODA tienen frenos de bloqueo total que evitan que las ruedas den vuelta y se inclinen. Los frenos deben utilizarse siempre que:

- 1) la silla no esté en uso;
- 2) se esté transfiriendo (cambiando) a un residente a o desde la silla.

Es importante notar que si los frenos de las ruedas se utilizan cuando el residente está en la silla, el cuidador no debe dejar al residente sin atención, especialmente aquellos residentes que tienen la capacidad o la tendencia a mover la silla y/o los que pueden agitarse. Podría causarle daños al residente si intenta mover la silla mientras los frenos de las ruedas se utilizan.

Nótese que posiblemente sea más fácil para el cuidador desinstalar e instalar el descansapie con los frenos puestos.

No seguir estas instrucciones aumentará sin necesidad el riesgo de caídas graves de los residentes, cuidadores o terceros, ocasionadas por sillas puestas en movimiento involuntariamente.

2.5.5 Reposicionamiento del residente - "Peligro de pellizco"

La mecedora de ruedas fijas BRODA ofrece los beneficios de poder inclinar el asiento y descansabrazos de altura ajustable. Durante el movimiento de cualquiera de estas funciones deben observarse las siguientes medidas de seguridad:

- 1) Los brazos del residente deben colocarse sobre los descansabrazos o dentro del marco con sus manos sobre su cuerpo.
- 2) Solamente un cuidador a la vez intenta operar las funciones de la silla.
- 3) Solamente se debe operar una función de la silla a la vez.
- 4) El cuerpo de los residentes y los cuidadores están alejados de todos los puntos de pellizco antes de operar las funciones de la silla.

No respetar estas medidas de seguridad puede poner las extremidades de los residentes o los cuidadores en riesgo de lesiones. Los residentes que no estén concientes de la posición de su cuerpo o que no sean capaces de mantener una posición corporal segura están en mayor riesgo de pellizcarse y los cuidadores deben tener más precaución con estos residentes. Es posible que se requiera un segundo cuidador para garantizar la seguridad de estos residentes durante estas operaciones.

2.5.6 Movimientos no intencionados - "Peligro de caer o chocar"

Recomendamos las sillas BRODA para uso en interiores en instituciones que ofrecen cuidados a largo plazo y en donde no haya pendientes suficientes para ocasionar que las sillas se muevan sin ayuda. Las sillas que se utilizan donde la superficie no es lisa o está inclinada tienen el riesgo de moverse sin que se desee y podrían convertirse en un gran peligro para los residentes, los cuidadores o un tercero. Recomendamos que las sillas BRODA se coloquen a distancia de escaleras, elevadores y puertas al exterior en las instituciones que ofrecen cuidados de largo plazo.

El uso en exteriores es apropiado solamente bajo la estricta supervisión y la total atención de un cuidador que sea físicamente capaz de evitar cualquier movimiento involuntario sobre todas las superficies donde se va a mover. Recomendamos que un segundo cuidador ayude cuando la silla se mueva sobre superficies que podrían ocasionar movimientos involuntarios importantes.

2.5.7 Ropa del residente - "Riesgo de lesionar la piel del residente"

Recomendamos que los residentes se sienten únicamente cuando están completamente vestidos con ropa que cumpla las necesidades de su condición específica. Si después de haberse vestido por completo, los brazos, piernas o el cuerpo desnudo del residente todavía puede estar en contacto directo con las correas de vinilo o los cojines de vinilo, recomendamos el uso de una cubierta, como por ejemplo el asiento y/o el respaldo cubiertos con tela de toalla de BRODA o una sabana doblada para evitar el contacto directo. El contacto directo prolongado de la piel desnuda en las correas puede ocasionar humedad en el residente, y/o causar que la piel se pegue a las correas. Antes de la operación o el movimiento de la silla con una cubierta, el cuidador debe asegurarse que todas las cubiertas colocadas en la silla no estén en contacto con ninguna de las piezas móviles y que estén bien sujetas, para que no se resbalen.

2.5.8 Uso inapropiado de sujeciones - "Riesgo de lesiones graves"

Recomendamos que se utilizan alternativas de sujeciones físicas con los residentes mientras estén sentados en la silla excepto bajo las instrucciones específicas del cuidador primario del residente y con el permiso de la familia o el tutor del residente. Las sujeciones físicas se han identificado como una causa común de lesiones graves en los residentes cuando están sentados. Recomendamos que el cuidador primario responsable por sentarlo considere primero las opciones de reposicionamiento disponibles en la silla para reducir el riesgo de deslizarse, caer o causarse lesiones.

Si se determina que una sujeción física es apropiada para prevenir deslizamientos o caídas de la silla, recomendamos que se utilice el cinturón de cadera BRODA. En todos los casos, el cuidador primario del residente es quien debe tomar la responsabilidad por la seguridad del residente si se utilizan sujeciones.

2.6 Uso inapropiado

Como se indica, el uso inapropiado de la silla es peligroso para el residente, los cuidadores o terceras personas, y puede consistir, sin limitaciones, a lo siguiente:

- 1) Operación no autorizada de las funciones de la silla.
- 2) Movimiento no autorizado de la silla.
- 3) Uso inapropiado de la silla por parte de un residente que no ha sido evaluado por un cuidador calificado responsable por sentarlo.
- 4) No reposicionar al residente en la silla con frecuencia.
- 5) Intentar operar múltiples funciones de la silla de forma simultánea por parte de uno o más cuidadores.
- 6) Intentar mover la silla con el freno puesto.
- 7) Dejar al residente sin atención en la silla cerca de otros objetos.
- 8) Dejar a un residente inquieto en la silla en un área sin supervisión.
- 9) Dejar a un residente sin atención.
- 10) Dejar a un residente en una silla sobre una superficie con pendiente.
- 11) Dejar una silla sin atención en una superficie con pendiente.
- 12) Utilizar accesorios distintos a los de BRODA en la silla.
- 13) Usar la silla a temperaturas inferiores a 0°C.
- 14) Usar la silla como silla de regadera o baño.
- 15) Usar la silla para cualquier otro uso distinto al uso para el que se diseñó.

2.7 Limpieza

Las sillas BRODA deben limpiarse con jabón y agua. De ser necesario es posible usar limpiadores a base de amoníaco o cloro para uso casero diluidos, así como también limpiadores para hospitales.

Consulte la guía siguiente para limpiar con ciertos agentes de manchas (Aplica al vinilo Permablok3®, conforme a las recomendaciones del fabricante del vinilo). El marco y los componentes de la silla se pueden limpiar usando el mismo procedimiento como para el vinilo.

Los pasos siguientes también están en la Guía para limpieza en la parte trasera de la silla BRODA.

Agente de mancha

Procedimiento de limpieza

Sombra para ojos/mascara

Paso 1

Vaselina / loción para bronceado / chocolate

Paso 1

Sangre / fluidos corporales

Paso 2

Labial color rojo

Paso 2

Pintura de aceite / alquitrán / asfalto

Paso 3

Otras manchas difíciles

Paso 4 ó 5*

Paso 1: Quite el exceso del derrame con un trapo húmedo. Limpie con una mezcla 1:1 de Ivory® líquido y agua. Enjuague con agua limpia y seque.

Paso 2: Utilice una aplicación directa de limpiadores concentrados como por ejemplo Formula 409® o limpiador en aspersor Fantastik®. Después limpie con un trapo limpio. Si utiliza un limpiador para hospitales, siga las instrucciones de dilución en la etiqueta.

Paso 3: Utilice una mezcla 1:1 de amoníaco y agua o una solución 1:4 de cloro y agua. Enjuague con agua limpia y seque.

Paso 4: Utilice una aplicación directa de nafta (líquido encendedor). Enjuague con agua limpia abundante y seque la superficie con golpecitos.

Paso 5: Utilice una mezcla 1:1 de alcohol isopropílico y agua. Si la mancha persiste, utilice alcohol puro. Enjuague con agua limpia abundante y seque con golpecitos. Si la mancha persiste, utilice una mezcla 1:1 de acetona y agua. Enjuague con agua limpia y seque la superficie con golpecitos.

* **Nota:** para limpiezas que requieren los pasos 4 ó 5, utilice un trapo suave de algodón con el material de limpieza y talle la mancha en círculos 10 veces. Seque con golpecitos con otro trapo suave de algodón, y revise los resultados.

Para obtener los mejores resultados de limpieza, es posible remover ciertas partes y acojinados en la silla. Las instrucciones para remover las partes siguientes están en este manual: Asegúrese que toda la silla, incluso las partes removibles y no removibles, se limpien bien.

Preste atención especial al marco, conexiones, sujetadores, piezas y ruedas, así como el acojinado para obtener una limpieza profunda y total.

Remueva estas piezas para limpiarlas si así lo desea:

- 1) Alas
- 2) Descansapiés
- 3) Acojinado

Limpie perfectamente todas las piezas removibles y el acojinado, así como también el marco y los componentes alrededor de las piezas y el acojinado que se han removido.

Las sillas BRODA no deben limpiarse con limpiadores a base de vaselina. Todos los productos a base de vaselina que entran en contacto con cualquier superficie de vinilo deben quitarse tan pronto como sea posible. Los productos a base de vaselina hacen que el vinilo se hace frágil y dañarán la superficie para sentarse y los cojines. Las partes metálicas y los cojines deben secarse por completo después de limpiarlas. No aplique blanqueador al acojinado de vinilo. Es posible aplicar blanqueador al asiento y los respaldos de toalla y se pueden secar en secadora.

No permita que la silla se seque al aire. Dejar que la silla se seque al aire y no asegurarse que toda la silla esté completamente seca puede ocasionar que el marco y sus componentes se oxiden. Los solventes como por ejemplo los que se encuentran en lubricantes en aerosol no se pueden usar en sillas BRODA ya que pueden dañar las piezas móviles.

La frecuencia y el método de limpieza para las sillas deben determinarse mediante los protocolos de control de infecciones de la institución. Si la silla está visiblemente sucia límpiela bien de inmediato conforme a las instrucciones de limpieza de este manual.

Las instrucciones de limpieza en este manual son lineamientos solamente. Los resultados pueden variar bajo circunstancias reales. Esta información no libera al usuario del uso correcto y seguro del producto y todos los agentes limpiadores y su consideración al mantenimiento de limpieza general de la silla. Las instrucciones de limpieza y cuidado deben cumplirse junto con los protocolos de control de infecciones de la institución.

BRODA no aceptará reclamos de garantía o demandas de responsabilidad civil sobre sillas que no se hayan limpiado conforme a las instrucciones o que no se hayan cuidado con la atención apropiada a la seguridad e higiene del paciente, el cuidador y los terceros. El uso de ciertos agentes puede dañar la apariencia de la superficie y la duración del vinilo. BRODA no asume responsabilidad alguna por el uso de estos agentes de limpieza en el vinilo.

Hay pintura disponible para dar retoques en el marco cubierto de polvo. Llame al departamento de Servicio al cliente de BRODA si requiere pintura para retoques. No deje las sillas BRODA a la intemperie ya que el marco no tiene protección contra rayos UV. Dejar las sillas a la intemperie puede ocasionar que la pintura se desprenda.

Formula 409® es una marca registrada de Clorox Company.

Fantastik™® es una marca registrada de DowBrands, Inc.

Marca registrada de Dow Chemical Company.

Ivory® es una marca registrada de Proctor and Gamble.

2.8 Mantenimiento

El mantenimiento de las sillas BRODA variará según la frecuencia de uso y la condición del residente que utilice la silla.

Con un uso regular, después de la inspección inicial y la prueba de funciones, la silla debe inspeccionarse y probarse bimestralmente. Recomendamos inspecciones visuales en busca de desgaste, daños, sujetadores sueltos o faltantes y otras cuestiones de seguridad. También es necesario realizar pruebas periódicas de las funciones de la silla. Si se detecta una rotura, defecto o problema operacional, la silla debe repararse correctamente, inspeccionarse y probarse en cuanto a su funcionamiento antes de utilizarla de nuevo.

La silla debe inspeccionarse y probarse con una frecuencia de cada uso si la silla se utiliza para:

- 1) Residentes agresivos o inquietos.
- 2) Residentes que tienen movimientos involuntarios.
- 3) Residentes con un peso de más de 220 libras.
- 4) En instalaciones con superficies disperejas o con pendientes.
- 5) Cualquier persona no autorizada.

No utilice lubricantes que contengan solventes. Los solventes pueden perjudicar los componentes de goma de la silla. De ser necesario, puede utilizar grasa o lubricantes de grado alimenticio en todos los componentes que se deslizan.

3 OPERACIÓN Y MOVIMIENTO

Las medidas de seguridad descritas en la Sección 1 deben respetarse cuando se opere o se mueva la silla. Solamente los cuidadores autorizados deben intentar operar o mover una silla. El cuidador debe usar mecánicas corporales apropiadas cuando opere la silla, y en ese momento debe estar preparado para soportar el peso del residente.

3.1 Función de mecedora

La mecedora de ruedas fijas tiene una función de mecedora que ayuda a calmar pacientes inquietos. La función de mecedora tiene un seguro que el cuidador puede activar o desactivar. La función de mecedora se puede usar independientemente o en conjunto con la inclinación para tener un ángulo de inclinación más profundo). (Véa las instrucciones para inclinar la silla.)

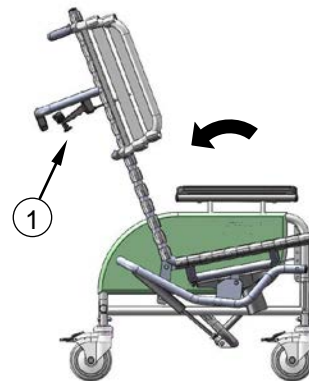
Para activar la función de mecedora:

- Asegúrese que el asiento esté en posición vertical o ligeramente inclinado. (Vea las instrucciones para inclinar la silla)
- Presione y asegure la manija de la mecedora fijándola en el marco.

- Ajuste la tensión de la mecedora conforme al residente en la silla. (Vea las instrucción de Tensión de mecedora)

Para desactivar la función de mecedora:

- Libere la manija de mecedora del marco.
- ADVERTENCIA: NO coloque la mano cerca de la cubierta del cable en la manija ya que podría pellizcarlo.**
- Permita que el asiento entre en la posición deseada. Para entrar a la posición más vertical, es posible que necesite levantar el asiento un poco para guiarlo a su posición.



3.2 Inclinación de la silla

Los cilindros de gas permiten que el asiento se incline en cualquier posición desde totalmente vertical hasta el punto más bajo en su rango. Utilice la inclinación del asiento para colocar al residente con seguridad, redistribuir presión e incrementar la comodidad. El asiento de la Mecedora de ruedas fijas está diseñado para permitir la propulsión con el pie cuando está inclinado.

Para activar la inclinación de la silla:

- Coloque la mano derecha en la barra para ayudar al movimiento y presione la manija de inclinación con la mano izquierda.

Levante o baje la inclinación de la silla hasta obtener el ángulo deseado.

Se pueden usar las dos funciones de inclinación y mecedora para lograr una inclinación más profunda del asiento, primero se inclina y después se activa el mecanismo de mecedora.



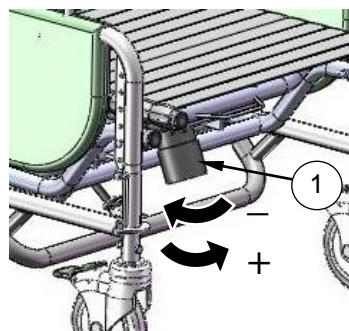
3.3 Tensión de la mecedora

La tensión de mecedora se puede ajustar para acomodar los residentes según su peso. Para facilitar la función de la mecedora, la tensión debe ser:
menor para ocupantes más ligeros.
mayor para ocupantes más pesados.
Para residentes con movimiento rígidos, quizás sea necesario incrementar la tensión de mecedora conforme a la fuerza de su movimiento.

Para ajustar la tensión de la mecedora:

Para disminuir la tensión (ocupantes más ligeros) gire la perilla a la derecha.

Para incrementar la tensión (ocupantes más pesados) gire la perilla a la izquierda.



3.4 Alas removibles

Las alas dan soporte a los soportes para hombros que ofrecen soporte lateral a la parte superior del cuerpo del residente.

Para quitar las alas:

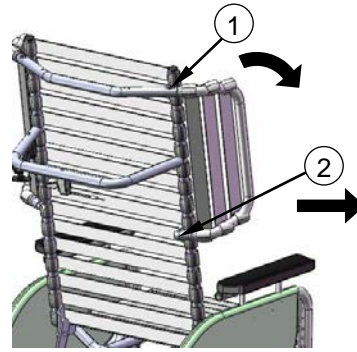
- Oprima el botón superior (1) y jale el ala hacia fuera del receptáculo. Es posible hacer el ala a un lado sin removerla por completo.

- Para sacar el ala por completo, presione el botón

inferior (2) y sáquela del receptáculo.

Para insertar las alas:

- Inserte el extremo inferior del ala en el receptáculo inferior. Después inserte el extremo superior dentro del receptáculo superior. Asegúrese que el ala esté bien fija en su lugar.



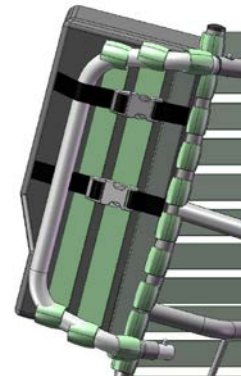
3.5 Soportes para hombros

Los soportes para hombros brindan soporte, protección y contención a la parte superior del torso y contrarrestan el desequilibrio del usuario de la silla. Su diseño único permite el correcto acceso del codo al descansabrazos. El soporte para hombros se utiliza siempre junto con el ala lateral.

Para instalar los soportes para hombros:

- Introduzca ambas correas del soporte para hombros entre la correa interior del ala y el marco de la silla.
- Inserte las hebillas de seguridad y apriete las correas para fijar el soporte al ala. El soporte se puede deslizar hacia arriba y abajo en el ala si así se desea.

Nota: El soporte para hombros se puede invertir en el ala para proporcionar soporte a residentes más delgados.



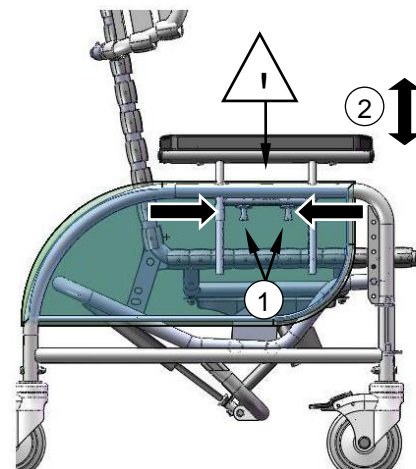
3.6 Descansabrazos de altura ajustable

La altura del descansabrazos se puede ajustar fácilmente para acomodar según el residente. La altura del descansabrazos debe ajustarse para dar el correcto soporte al brazo del residente conforme lo determine el cuidador.

Para ajustar la altura del descansabrazos:

- Apriete los pasadores que se encuentran debajo de la pestaña del descansabrazos.
ADVERTENCIA: NO coloque los dedos en la parte superior de los pasadores ya que podrían pellizcarle. Coloque los dedos en la forma cóncava de los pasadores.

- Levante o baje el brazo a la altura deseada.
ADVERTENCIA: NO coloque los dedos debajo del brazo mientras lo ajusta, podría pellizcarle. Después de soltar los pasadores la altura del descansabrazos se



asegura en su sitio.

Asegure la pestaña exterior en el panel lateral.

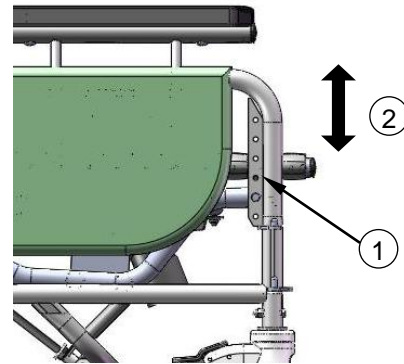
3.7 Altura ajustable del asiento

La altura del asiento al piso es ajustable para permitir la correcta posición del "pie en el piso" para propulsión con el pie.

Para ajustar la altura del asiento:

- Quite los pernos con una llave de 7/16.
- Levante o baje el frente del asiento para que corresponda con los orificios en la altura deseada del asiento.
- Inserte los pernos a través de los orificios correspondientes deseados y apriete los pernos.

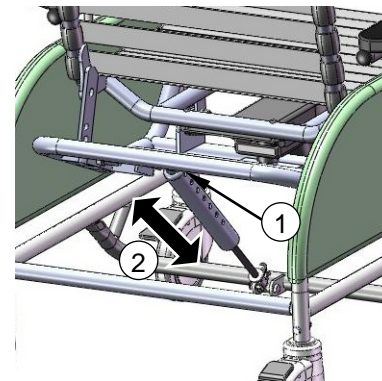
Cambiar la altura del asiento en la silla de ruedas fijas puede afectar el rango de inclinación de la silla ya que solamente se levanta la parte delantera del asiento. Si lo desea, se puede usar una Barra de ajuste de longitud PAB en el cilindro de inclinación para mantener el rango original de inclinación.



3.8 BARRA PAB (Opcional)

Puede usar la barra PAB para mantener el rango original de inclinación después de ajustar la altura del asiento.

- Quite los pernos y los separadores de la parte superior del cilindro.
- Deslice la barra PAB sobre la parte superior del cilindro.
- Determine the height for the PAB BAR and insert a 2 1/4" bolt through the appropriate hole. Determine la altura de la barra PAB e inserte un perno de 2 1/4" en el orificio correcto. Después de insertar el perno, coloque 2 separadores (1/2" y 3/8") antes de insertar el perno a través del cilindro.
- Inserte el perno a través del cilindro y asegúrelo. Attach the top portion of the PAB BAR to the chair back. Sujete la parte superior de la barra PAB a la parte trasera de la silla



3.9 Ruedas

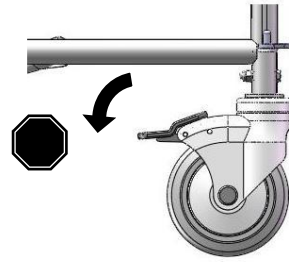
La mecedora de ruedas fijas cuenta con ruedas delanteras de bloqueo total de 5" y ruedas traseras fijas de 5".

Para operar las ruedas:

Pise el pedal de activar/desactivar para bloquear/desbloquear las ruedas.

Asegúrese siempre de que los frenos no estén bloqueados cuando mueve la silla.

Para sillas con rines de magnesio, se bloquea y desbloquea con el freno a mano.



3.10 Accesorios (Opciones)

Recomendamos accesorios BRODA para uso exclusivamente en sillas BRODA. La instalación correcta de los accesorios BRODA es muy importante. Recomendamos que la silla BRODA se pida con los accesorios requeridos ya instalados. Solamente los cuidadores autorizados que entienden bien los procedimientos para la instalación de accesorios deben intentar instalar sus accesorios BRODA sin la ayuda de su representante BRODA local. BRODA no recomienda el uso de accesorios de otros fabricantes en las sillas BRODA.

4 INSPECCIÓN Y PRUEBAS DE FUNCIONES

Las medidas de seguridad descritas en la Sección 1 deben observarse al inspeccionar o probar una silla. Solamente los cuidadores o el personal de mantenimiento deben intentar inspeccionar o probar una silla.

4.1 Inspección

Recomendamos inspecciones visuales regulares en busca de desgaste, daños, conectores sueltos o faltantes y otras cuestiones de seguridad. Si se detecta una rotura, defecto o problema operacional, la silla debe repararse, inspeccionarse y probarse en cuanto a su funcionamiento antes de utilizarla de nuevo.

Recomendamos que la silla se inspeccione cada uso si existe cualquier motivo de preocupación sobre la posibilidad de mayor desgaste o conexiones flojas o faltantes. **Como mínimo, las sillas en uso regular deben inspeccionarse bimestralmente.** El procedimiento de inspección visual debe incluir al menos la revisión de todas las conexiones (sujetadores):

El procedimiento de inspección visual debe incluir al menos la revisión de las piezas siguientes:

- 1) El cilindro que posiciona la inclinación de la silla
- 2) Las correas de vinilo usadas en el asiento, el respaldo y las alas
- 3) Los cojines
- 4) La manija trasera y el cable
- 5) Los pasadores para el ajuste de la altura del descansabrazos

El procedimiento de inspección visual debe incluir la revisión de todos los accesorios instalados. La institución debe realizar la inspección visual, o si está en una residencia privada, la debe realizar el individuo responsable por la silla.

4.2 Pruebas funcionales

Recomendamos que la silla se pruebe en cuanto a la operación de las funciones de la silla sin un residente en la silla. Las pruebas pueden realizarse con cada uso si existe cualquier motivo de preocupación sobre la posibilidad de mayor desgaste o de daños en los componentes de la silla. Como mínimo, en uso regular la silla debe probarse en cuanto a sus funciones como se describe en la Sección 3.

Si el cuidador o el departamento de mantenimiento que realiza las pruebas funcionales considera que cualquiera de las funciones no opera correctamente, la silla debe retirarse de servicio hasta que se pueda completar una prueba funcional satisfactoria.

El cuidador o el departamento de mantenimiento que efectúa las pruebas debe estar conciente que la inclinación del asiento será más difícil sin el residente en la silla. Cuando se hacen reparaciones o mantenimiento, no utilice lubricantes que contienen solventes. Los solventes dañarán muchos de los componentes móviles de la silla. De ser necesario, se puede emplear una grasa blanco, de grado alimenticio (lubricante) en los componentes que se deslizan de la silla. No utilice lubricantes en aerosol en ninguna parte de la silla.

5 INFORMACIÓN TÉCNICA

5.1 Especificaciones

Especificaciones con base en las características estándar de la mecedora de ruedas fijas de 20" de ancho




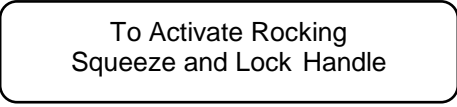

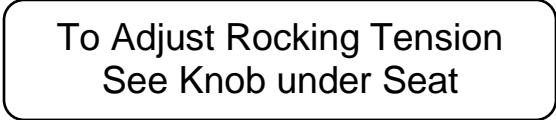
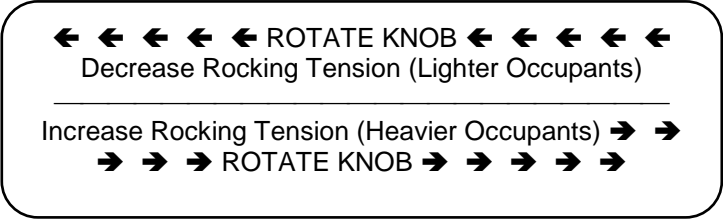
1. Inclinación del asiento: Hasta el 18° de la inclinación del asiento (ajustable indefinidamente), hasta 33 ° de la inclinación ajustable indefinidamente del asiento cuando se combina con la función de mecedora.
2. Función de mecedora: Cuando el usuario está sentado en la silla se puede mecer suavemente. La función de mecedora tiene un seguro para que el cuidador la active o desactive. Es posible ajustar la tensión de la mecedora conforme al peso del individuo en la silla.
3. Marco: Acero tubular calibre 16 con recubrimiento de pintura en polvo
4. Superficie del asiento/respaldo: BRODA Comfort Tension Seating™ Correa tiene 1.5" de ancho por 0.130" de grosor; contiene fungicida, tiene retención de la forma, y es antiinflamable.
5. Brazos: Altura ajustable del descansabrazos
6. Acojinado: Acojinado removible estándar, almohada para cuello y cojines laterales inferiores
El recubrimiento en tela de vinilo para cuidado de la salud de 34 onzas está hecho para cumplir con los requerimientos siguientes: DIN 75 200/DIN 53 438; MVSS 302, M2; CAL 117, y prueba de abrasión de servicio pesado de Wyzenbeck; cuenta con acabado antimicrobiano, antibacterial, repelente a manchas y antiestático; Fisuras al frío a -20°C. La espuma de poliuretano cumple con CAL 117-2013.

El asiento y los cojines del respaldo removibles están cubiertos con un vinilo suave de 8 onzas que cumple con el estándar de inflamabilidad CAN2-162 para textiles de hospital. La espuma de poliuretano cumple con CAL 117-2013. Cubiertas en tela de toalla de algodón, removibles, lavables, pre-encojidos se proporcionan para el asiento y los cojines del respaldo. Las cubiertas de toalla ofrecen absorción y transferencia de vapor y calor.
7. Ruedas: Ruedas delanteras de bloqueo total de 5", ruedas traseras fijas de 5"
8. Profundidad del asiento: 17"
9. Altura del asiento: Ajustable de 14" a 19"
10. Ancho del asiento: 20" (18" también estándar)
11. Ancho total: 25"
12. Capacidad de peso: 250 libras
13. Peso total: Aproximadamente 80 libras con las características estándar

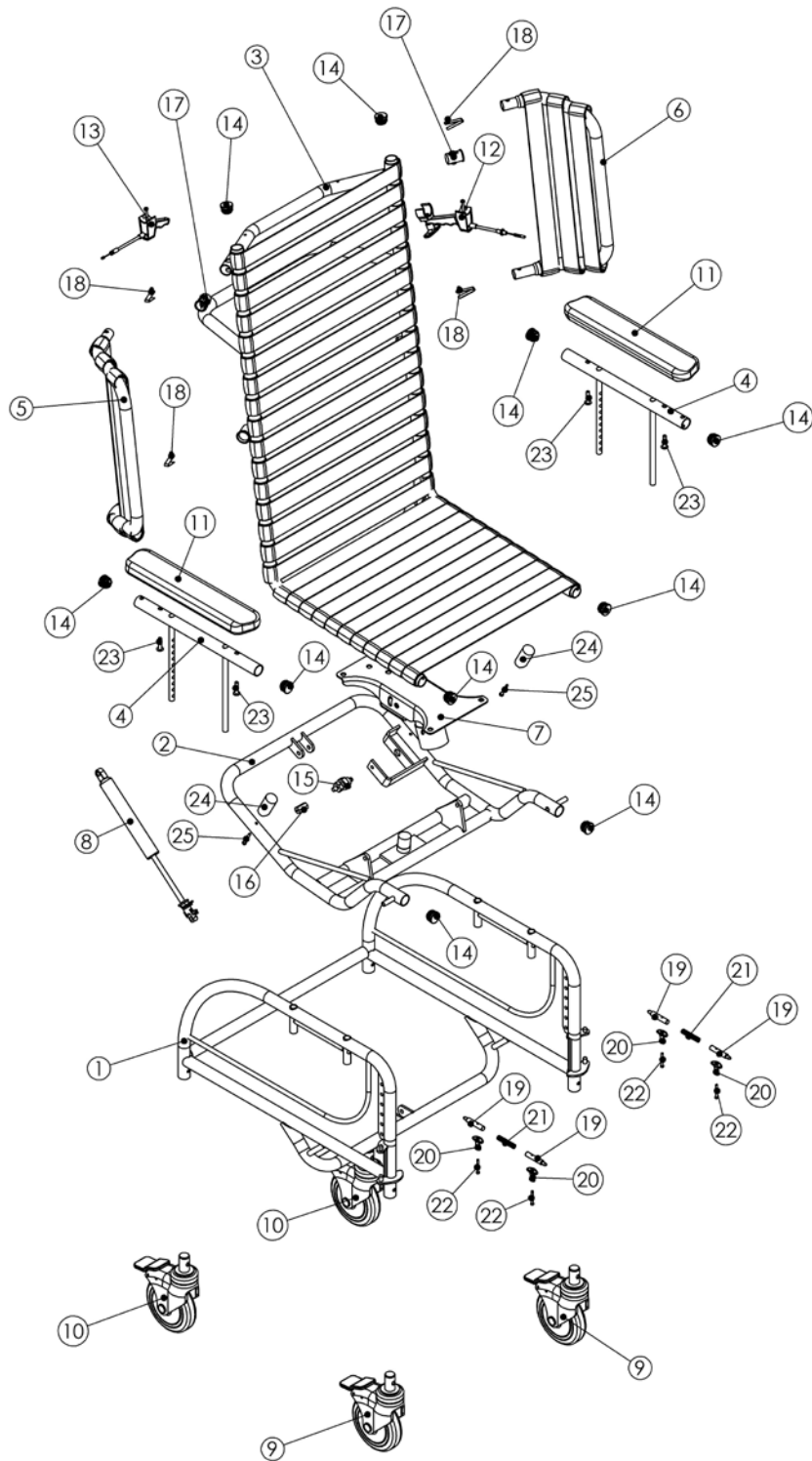
Todas las dimensiones son $\pm 0.5''$.

5.2 Etiquetas

BRODA utiliza ciertas etiquetas para ayudar a que los cuidadores identifiquen artículos que permiten la operación de las funciones de la silla.

<p>Etiqueta del fabricante (Blanco)</p>  <p>MADE IN CANADA / FABRIQUE AU CANADA</p> <p>560 Bingemans Centre Drive, Kitchener, ON Canada, N2B 3X9 PHONE 1 – 519 746-8080 FAX 1-519-746-8616</p>	<p>Etiqueta con número de serie (Gris)</p>  <p>1-800-668-0637</p> <p>PRODUCT # SERIAL # MADE IN CANADA</p>
<p>Etiqueta de inclinación (café claro)</p> 	<p>Etiqueta Función de mecedora</p> 
<p>Etiqueta de inclinación y mecedora</p> 	<p>Etiqueta de notificación de ajuste de mecedora</p> 
<p>Etiqueta de ajuste de mecedora</p> 	

5.3 Esquema de las piezas de la mecedora de ruedas fijas 48R de BRODA Seating



Leyenda del esquema de la mecedora de ruedas fijas 48R de BRODA

#	Description	Quantity	Item
1	Base Frame 48R (width) (color)	1	BASE-48R
2	Seat Frame Sub Tilt 48R (width) (color)	1	SEAT-SUBTILT-48R
3	Tilt Seat Frame One Piece 48R (width) (color)	1	SEAT/BACK-48R
4	Arm Frame Height Adjustable V2/V3 (left/right) (color)	2	ARM-TOP
5 & 6	Wing Strapped Frame Removable (left/right) (color)	1	WING-STRAP
7	Rocking Mechanism 48R	1	ROCKMECH
8	Cylinder Gas Spring 600N and Actuator w/lever	1	CYL-LOCK-KIT
9	Caster 5 Total Lock (color)	2	CASTER-5"TL
10	Caster 5 Fixed (color)	2	CASTER-5"FX
11	Armrest Soft	2	AR
12	Cable and Handle Assembly 48R Rocking Mechanism	1	CAB-HAND-48R
13	Cable and Handle Assembly (cable length 48")	1	CABLE-HAND
14	Plug rnd 1" 16-18ga inside ribbed	10	REPLACEMENT HARDWARE
15	Locking Mechanism for 48R (plunger)	1	PR-LOCK
16	Coupling 8mm to 10-24" Thread	1	COUPLING
17	Bushing arm sleeve	2	BUSH-ARM-SLV
18	Spring for Arm Bottoms and Wings	4	DETENT-PIN
19, 20, 21 & 22	Push Pin Assembly (Kit)	2	PUSH-PIN
23	Screw 1/4-20x1-1/4 pan quad, zinc	4	REPLACEMENT HARDWARE
24	Die Spring	2	DIE-SPRING
25	Screw # 8 x 1-1/2" Pan Quad Zinc	2	REPLACEMENT HARDWARE

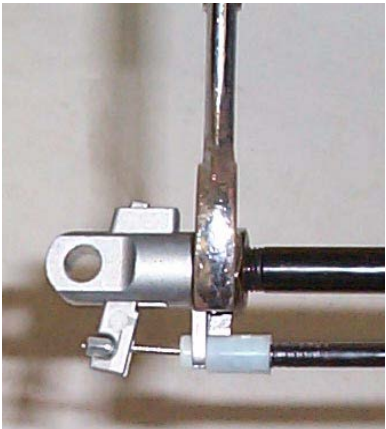
6 SOLUCIÓN DE PROBLEMAS COMUNES Y REPARACIONES

Tenga el número de serie de la silla a la mano cuando se comunique con BRODA o su representante de área local para solicitar piezas o ayuda para su silla. El número de serie se encuentra en una calcomanía gris en la parte trasera de la silla.

6.1 Solución de problemas para cilindros de gas

El uso de resortes con carga de gas (cilindros) en los productos BRODA permite al cuidador hacer ajustes fácilmente a la inclinación, reclinado y el descansapiernas con el mínimo esfuerzo. El cilindro de gas contiene nitrógeno, no es inflamable y no es tóxico. Los cilindros proporcionan una fuerza de empuje que corresponde al peso del ocupante por lo que reduce la cantidad de peso que debe levantar el cuidador.

Síntoma	Problema	Solución
La silla no se inclina cuando se aprieta la manija.	El pasador en el extremo del cilindro no se está presionando cuando se jala la manija.	Asegúrese que el cable esté conectado al accionador del cilindro. Si el cable está conectado, vea el Paso de ajuste a continuación.
La silla (inclinación) parece deslizarse lentamente fuera de su posición	Es posible que el pasador en el extremo del cilindro esté parcialmente oprimido.	Vea los Pasos de ajuste a continuación:

Pasos de ajuste:	
<ul style="list-style-type: none"> - Afloje la tuerca que se encuentra en el vástago del cilindro de gas junto al accionador (llave de 17 mm o 11/16") - A partir de las instrucciones anteriores determine si quiere girar más el vástago dentro del accionador o sacar más el accionador. Gire más el vástago dentro del accionador si la silla no se inclina o reclina, (gire en dirección de las manecillas del reloj) y afloje más el accionador si la silla se desliza lentamente fuera de posición. (gire en dirección contraria a las manecillas del reloj) - Gire el vástago media vuelta en la dirección correcta. - Revise el funcionamiento del cilindro y repita el paso anterior hasta que el cilindro funcione correctamente. - Apriete la tuerca de seguridad aflojada en el primer paso. - Si el ajuste del cilindro no solucione el problema, es posible que sea necesario reemplazar el cilindro. Comuníquese con BRODA o su representante local del área. 	 <p>Nota: No es necesario remover el cilindro de la silla para hacer este ajuste.</p>

Nota: Cuando ajuste los cilindros con herramientas que tocan los postes del cilindro, debe usar un trapo u otro material protector para proteger la superficie de deslizamiento del poste. Si el poste se raya o se maltrata dañará el sello en el cilindro y el cilindro fallará.

Dañar el cilindro de esta forma invalida la garantía del fabricante.



7 GARANTÍA

BRODA SEATING GARANTÍA

BRODA ofrece una Garantía de tres años para el marco de la silla, y una Garantía de un año para todos los otros componentes sujeto a las condiciones siguientes:

No se otorga garantía alguna en los cojines del asiento o las cubiertas de tela.

Los marcos de las sillas están garantizados por tres años en contra de defectos o fallas estructurales. Todas las otras piezas (excepto los cojines de asientos y cubiertas de tela), entre las que se incluyen sin limitación, las correas, cojines, resortes de gas y conexiones, ruedas, llantas, frenos y descansabrazos están garantizados por un año en contra de defectos en materiales y mano de obra con base en el uso institucional normal. La garantía no cubre daños dolosos o deliberados o daños por uso inapropiado. La garantía no cubre el uso de las sillas BRODA en una regadera o alberca, con la excepción de la silla para cómodo/regadera de BRODA.

Modificaciones a los productos BRODA o el uso de piezas ajenas a BRODA invalida la garantía. Esta garantía no cubre daños por envío (véase a continuación).

BRODA proporcionará piezas nuevas o reacondicionadas para que el propietario las instale sin costo después de la confirmación del representante local de BRODA o el Representante de servicio al cliente de la Oficina principal de BRODA. Previa solicitud, las piezas defectuosas deben regresarse a la fábrica en los primeros 30 días después de que el propietario reciba las piezas de reemplazo. Si las piezas defectuosas no se regresan a BRODA previa solicitud, el propietario correrá con el costo de las piezas de reemplazo en factura de BRODA.

La garantía no incluye mano de obra en las instalaciones para la instalación de las piezas de garantía o reparaciones de garantía. El propietario puede regresar a BRODA los productos para reemplazo de garantía o reparación enviando los artículos con porte pagado y seguro a la fábrica. La garantía realizada en la fábrica incluye tanto materiales como mano de obra. La decisión para reparar o reemplazar las piezas es a entera discreción de BRODA. Todas las devoluciones a la fábrica requieren la autorización previa de BRODA.

BRODA retiene el derecho a hacer cambios en diseño y aplicación sin previo aviso. Todos los pedidos se cumplirán con los modelos actuales de BRODA a menos que el comprador especifique lo contrario.

Las sillas de BRODA están diseñadas para la movilidad, el posicionamiento y la comodidad del paciente en sillas especializadas, sin embargo, la aplicación de los productos BRODA es responsabilidad del comprador o el usuario.

Esta garantía es intransferible.

DEVOLUCIONES

BRODA Seating no aceptará ninguna devolución sin el previo Número de autorización para productos devueltos. Comuníquese con nuestro Representante de servicio al cliente de las Oficinas principales al 1-800-668-0637 para obtener ayuda. Las devoluciones deben asegurarse cuando se envíen.

CARGA DAÑADA

NOTIFIQUE CUALQUIER DAÑO AL TRANSPORTISTA DE INMEDIATO

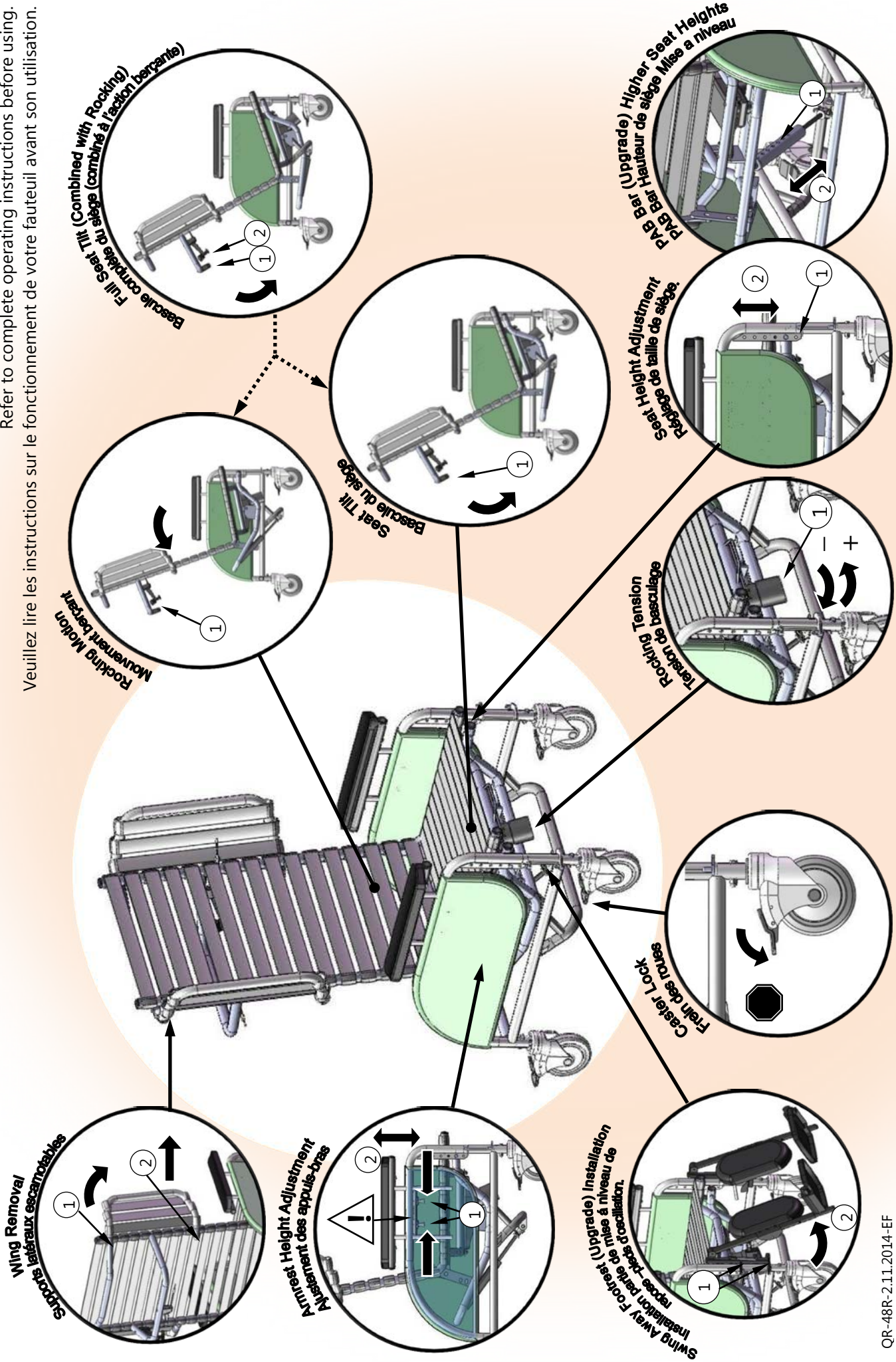
Es responsabilidad de la persona que recibe los productos examinar las cajas y los productos antes de acusar recibo. Anote todos los daños en la nota de embarque y presente una reclamación en caso de ser necesario. Notifique al transportista sobre todos los daños ocultos en las primeras 48 horas después de la recepción.

BRODA asegura todos los productos contra daños en tránsito, al no notificar al transportista de los daños en tránsito se invalida el seguro y la garantía de BRODA. Si requiere ayuda, comuníquese con nuestras Oficinas principales al 1-800-668-0637.

IMPUESTO DE VENTA

La mayoría de los productos de BRODA tienen tasa cero del impuesto GST y están exentos del impuesto de ventas de las provincias canadienses. Se le puede requerir al comprador que verifique con su oficina fiscal provincial o estatal para el pago del impuesto del comprador.

Refer to complete operating instructions before using.
 Veuillez lire les instructions sur le fonctionnement de votre fauteuil avant son utilisation.



Pedal Rocker 48R

Referencia rápida Kurzanleitung

Consultar el manual de instrucciones antes de usar.
Lesen Sie vor Inbetriebnahme die Bedienungsanleitung.

