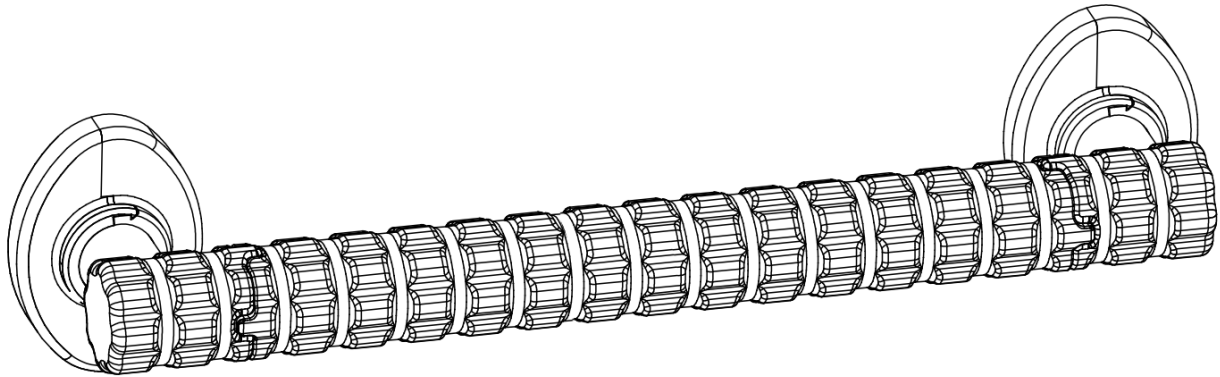


# KRATOS CAPTO GRAB BAR with SAFETYGRIP®



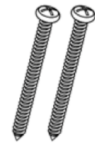
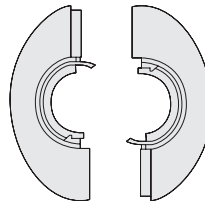
## Hartmobility Product Shipped in this Package

- |  |  |  |   |
|--|--|--|---|
| <input type="checkbox"/> KCSG714<br>(14 in, 35.5 cm) | <input type="checkbox"/> KCSG724<br>(24 in, 61 cm) | <input type="checkbox"/> KCSG736<br>(36 in, 91.5 cm) | <input type="checkbox"/> KCSG746<br>(46 in, 116.8 cm) |
|--|--|--|---|

## Safety Information

- !** **WARNING: FALL HAZARD.** Attach the grab bar securely to the wall. Failure to do so could result in death or serious injury.
- !** **Important:** If you are unsure that you can install this product correctly, hire a qualified professional.

## Kit Contents



Mounting Plate Covers      # 14 Wood Screws  
2 of each for each Mounting Plate

## Tools Required

- Stud Finder
- Safety Glasses
- Power Drill
- Tape Measure
- 5/32 inch drill bit for pilot holes for the wood screws
- Philips screw driver
- Pencil


# PRODUCT INFORMATION

Kratos Capto Grab Bars comes with our patented Interlocking SafetyGrip®.

Kratos Capto Grab Bars are 304 stainless steel including all Hardware-Rustproof.

The Capto Grab Bars are protected with AlphaSan® technology, which provides lasting protection against microbial contamination to all HartMobility Inc products, providing unrivaled anti-microbial performance.

The Capto Grab Bars are assistive products that may be permanently affixed to any flat surface. Suitable for use anywhere that a Grab Bar is needed, they come in a variety of lengths and are equipped with oval-shaped mounting plates that allow them to be installed horizontally, vertically, or at any angle.

 **WARNING: FALL HAZARD.** Attach the grab bar securely to the wall. Failure to do so could result in death or serious injury.

- All Grab Bar mounting plates **MUST** be properly secured to the wall. Ideally, all Grab Bar mounting plates should be anchored to a wall stud.
- If you are unsure that you can properly install the grab bar, hire a qualified professional.

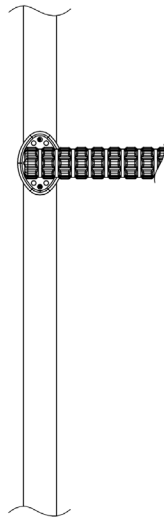
**Compliance:** ADA Compliant

# INSTALLATION

## STEP 1: Locate The Wall Studs Where You Want To Mount The Grab Bar

- First put on Safety glasses. Locate the wall studs.
- You may need to rotate the mounting plates to align with the wall studs. To do this, slightly loosen the screw that holds the mounting plate to the Grab Bar, turn the mounting plate appropriately, and then re-tighten the screw.
- When wall studs are not suitably spaced for where you want your Grab Bar you will need either:
  - a. Blocking
  - b. Wall reinforcement
  - c. To use the correct drywall fasteners

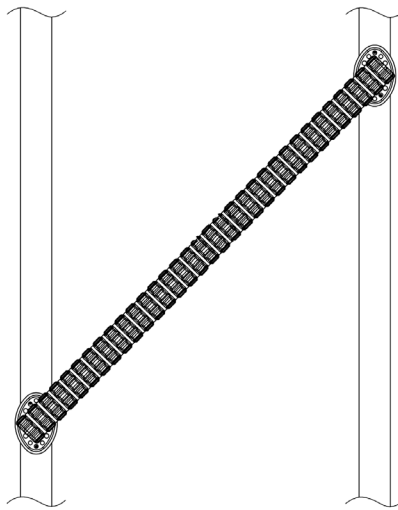
**NOTE:** Dry wall fasteners are not supplied in this kit.



**ON CENTER**



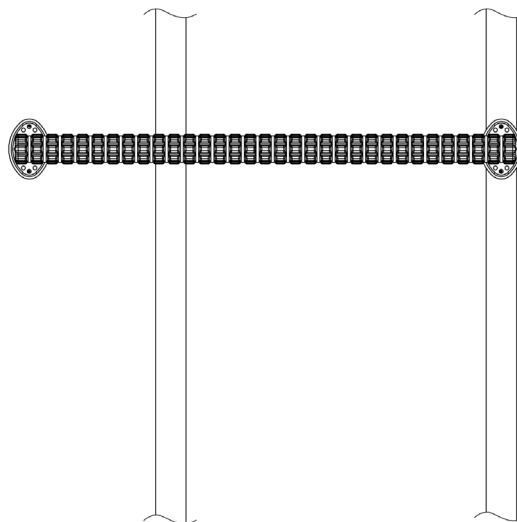
**ON CENTER**



**ROTATED MOUNTING PLATE**

**ANGLED GRAB BAR**

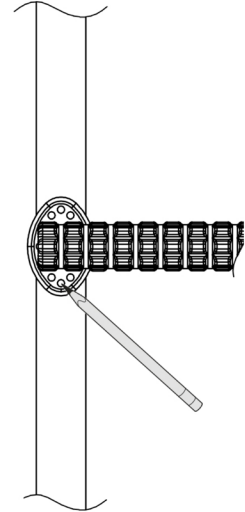
**See Step 1 when Wall Studs are not suitably spaced or placed**



## STEP 2: Drill Holes

- Line up the Grab Bar Mounting plate on the wall.
- Mark where the wall studs are.
- Mark the holes,

**WARNING:** ELECTRICAL SHOCK HAZARD. When drilling into walls, always ensure that you avoid all electrical wires, cables, ducts, pipes and/or plumbing. Failure to do so could result in death, serious injury, or property damage.



## STEP 3: Install Grab Bar

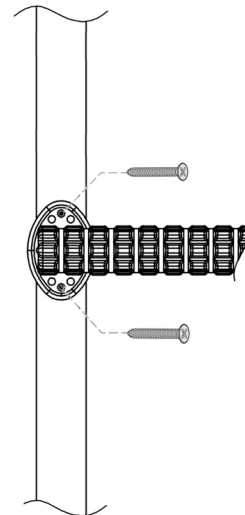
- Screw or fasten the Grab Bar to the wall.

**Fasteners for Wooden Studs:** Use two (2) wood screws per stud, supplied in this kit.

**Fasteners for Steel Studs:** Use at least two (2) fasteners per wall stud. Use high quality strong fasteners with a 1/4-inch (6 mm) fastener screw diameter. Toggle bolts are a good option.

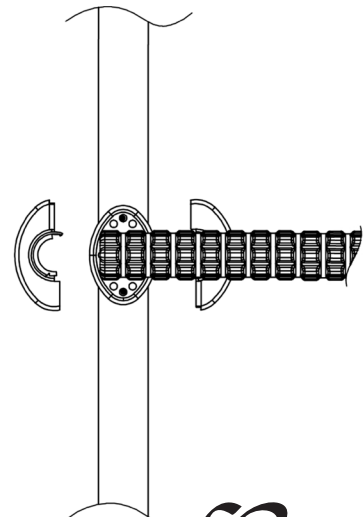
**Fasteners for No Studs:** If wall studs are not suitably placed, See Step 1.

**INSTALLER NOTE:** To ensure water does not seep into the holes you drilled, put silicone caulking onto the back of the mounting plate before you screw the grab bar to the wall.



## STEP 4: Install Mounting Plate Cover

- Snap the mounting plate cover onto the mounting plate.



# MAINTENANCE AND CLEANING

- To clean your Grab Bar, simply wipe with a clean cloth and any commercially available cleaning solution.
- The Grab Bar may loosen with use. It should be checked regularly.

# LIMITED WARRANTY

Hartmobility Inc. product(s) are covered by a limited lifetime parts warranty. This warranty covers against defects in design and workmanship. Hartmobility Inc. will correct any defects in parts or workmanship at no charge.

The warranty does not cover product failure due to installation error, owner misuse, abuse, negligence or normal wear and tear.

