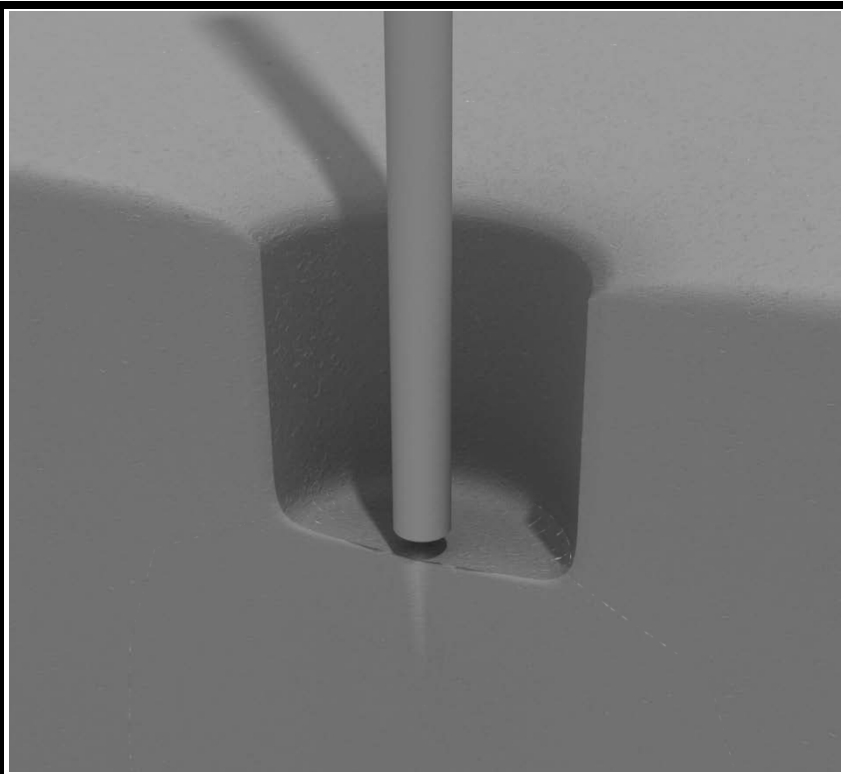


Post Installation

STEP: 1

**DO NOT CEMENT POSTS INTO PLACE
UNTIL THE ENTIRE STRUCTURE IS
ASSEMBLED.**

Refer to the General Installation
guide footing information and dig
proper holes for the support posts.



Created By: Aaron Price
Date: 04/26/2018

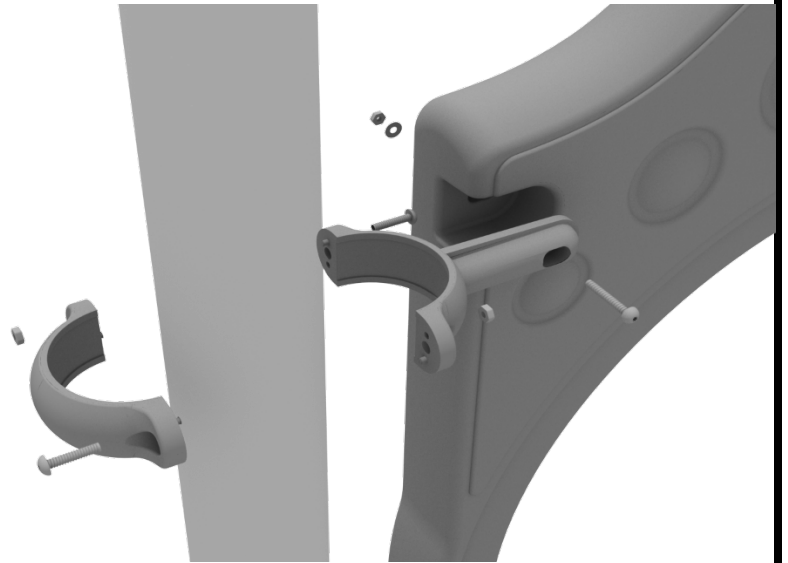
3.5-inch Clamp Installation Examples

The following three pages will include examples of how to install some of the most common types of Clamps that are present on our structures that use 3.5-inch outside diameter posts. The structure that you are assembling might not require all the types of clamps listed in these examples.

The Install Guides for specific components that come later in this document might call for a specific type of clamp (a tube clamp for example), those sections will not include detailed instructions for the clamps and should direct you back to this section for more detailed information.

3.5-inch Flat Clamp Install Example

Connect half of the flat clamp to the component using one (1) M8*40 bolt. Then, using the other half of the flat clamp and the hardware provided in the clamp hardware bag, attach the backside of the flat clamp around the post.

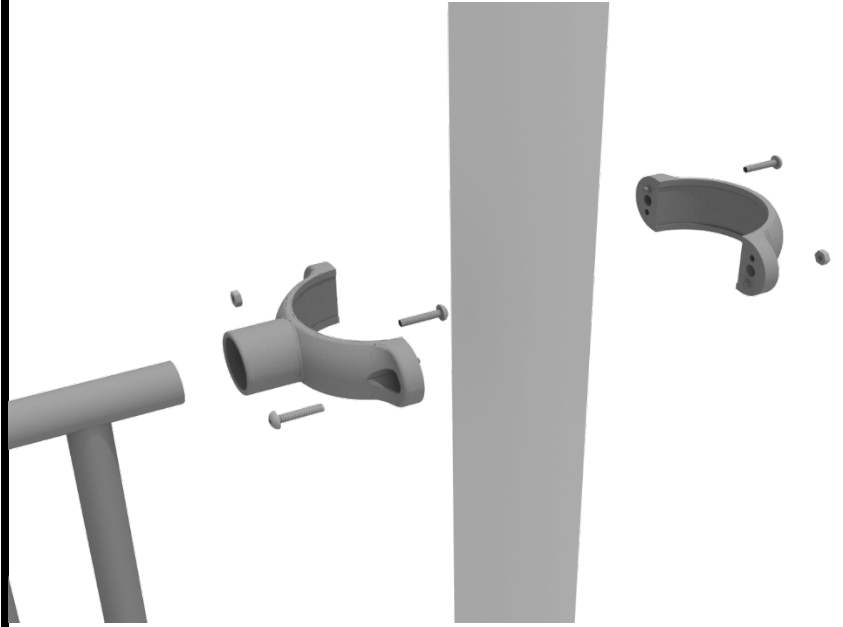


Created By: Derick H
Date: 11/01/2018

3.5-inch Clamp Installation Examples

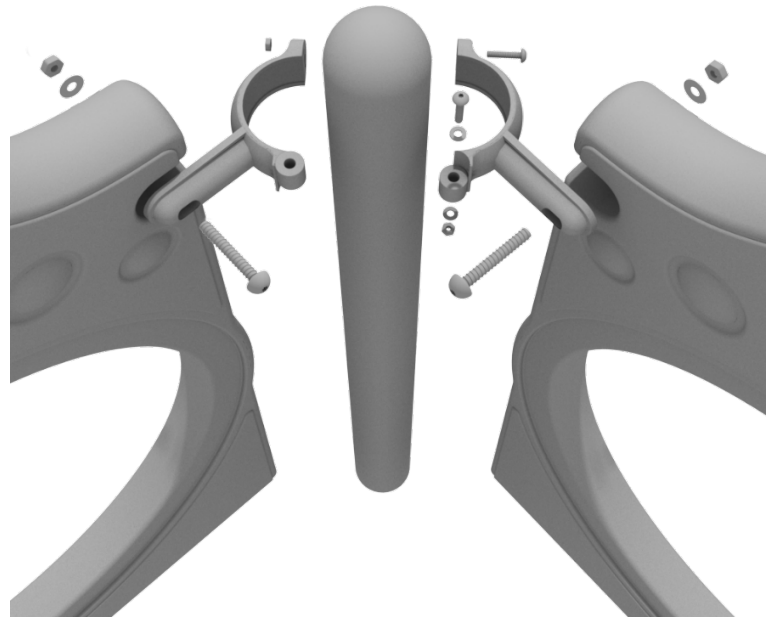
3.5-inch Tube Clamp Install Example

Connect half of the clamp to the component using one (1) M8*30 bolt. Then, using the other half of the tube clamp and the hardware provided in the clamp hardware bag, attach the backside of the tube clamp around the post.



3.5-inch 90-Degree Flat Clamp Install Example

Connect half of the flat clamp to one panel using one (1) M8*40 bolt. Then, using the other half of the flat clamp and the hardware provided in the clamp hardware bag, attach the other half of the tube clamp around the post. Then, attach the next panel to the other side of the clamp using the same process.

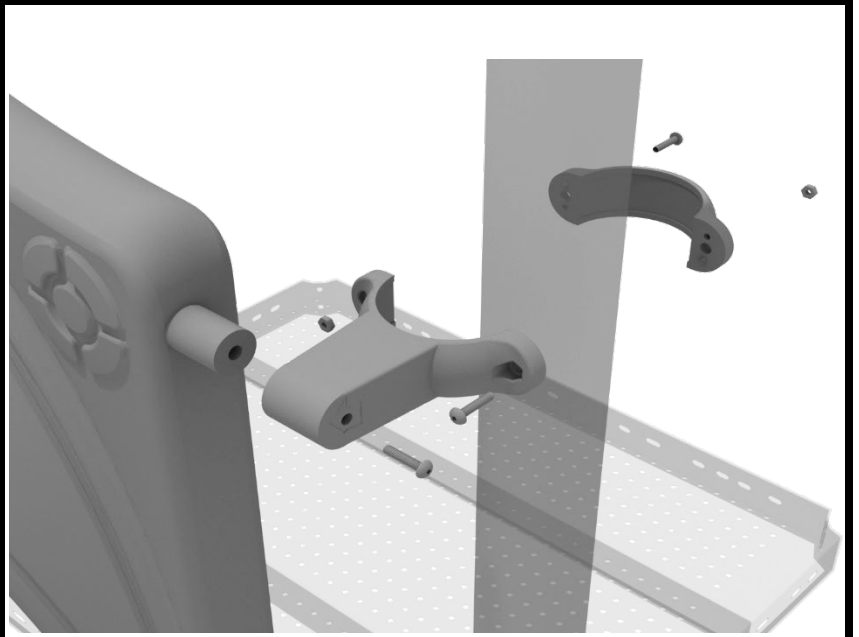


Created By: Derick H
Date: 11/01/2018

3.5-inch Clamp Installation Examples

3.5-inch Double Slide Clamp Install Example

Connect half of the double slide clamp to the double slide hood using one (1) M8*30 bolt. Then, using the other half of the clamp and the hardware provided in the clamp hardware bag, attach the backside of the double slide clamp around the post.



Created By: Derick H
Date: 11/01/2018

Square Deck Installation

STEP: 1

After the posts are in place, using four (4) M10*35 bolts, eight (8) M10 washers, and four (4) M10 lock nuts, attach each square deck to each pre-attached deck clamp as shown in the image.

Deck clamps are pre-attached to the posts and should not be altered in any way.

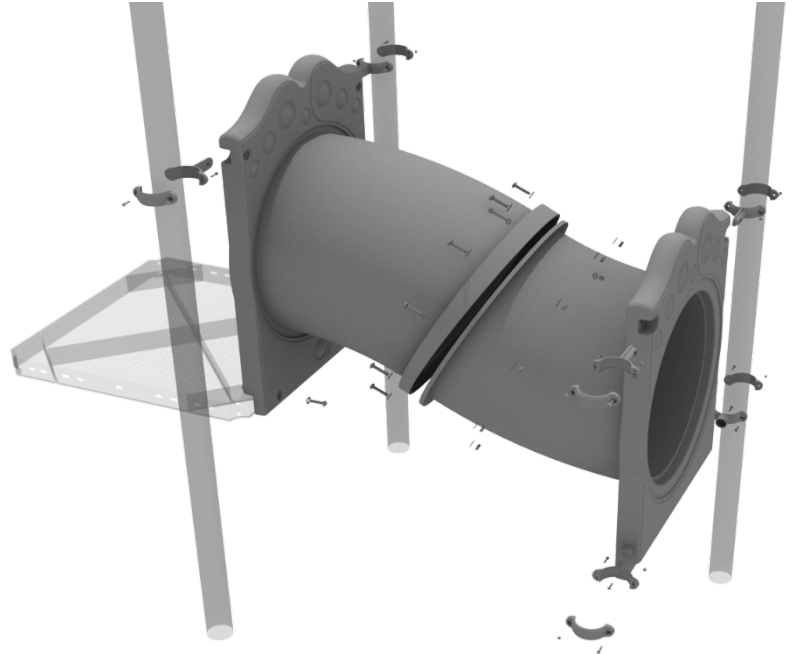


Created By: Aaron Price
Date: 3/19/2018

2-Section Incline Tube Bridge Installation

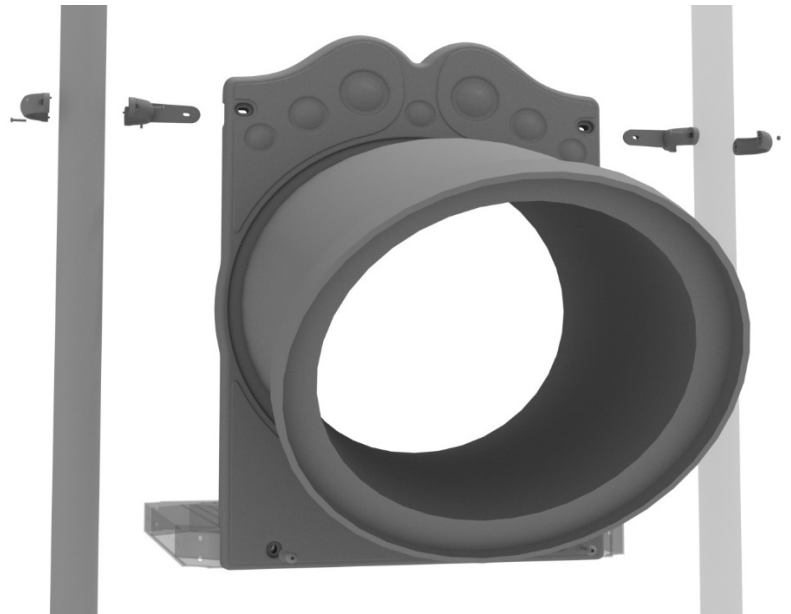
STEP: 1

Take both sections of the tube bridge and attach them together using ten (10) M8*30 bolts, twenty (20) M8 washers, and ten (10) M8 lock nuts.



STEP: 2

Attach top half of the tube bridge to the proper deck using two (2) M10*50 bolts, four (4) M10 washers, and two (2) M10 lock nuts. Then, attach the top of the tube bridge to the posts using one (1) flat clamp, one (1) M8*40 bolt, one (1) M8 washer, and one (1) M8 lock nut for each post attachment point.



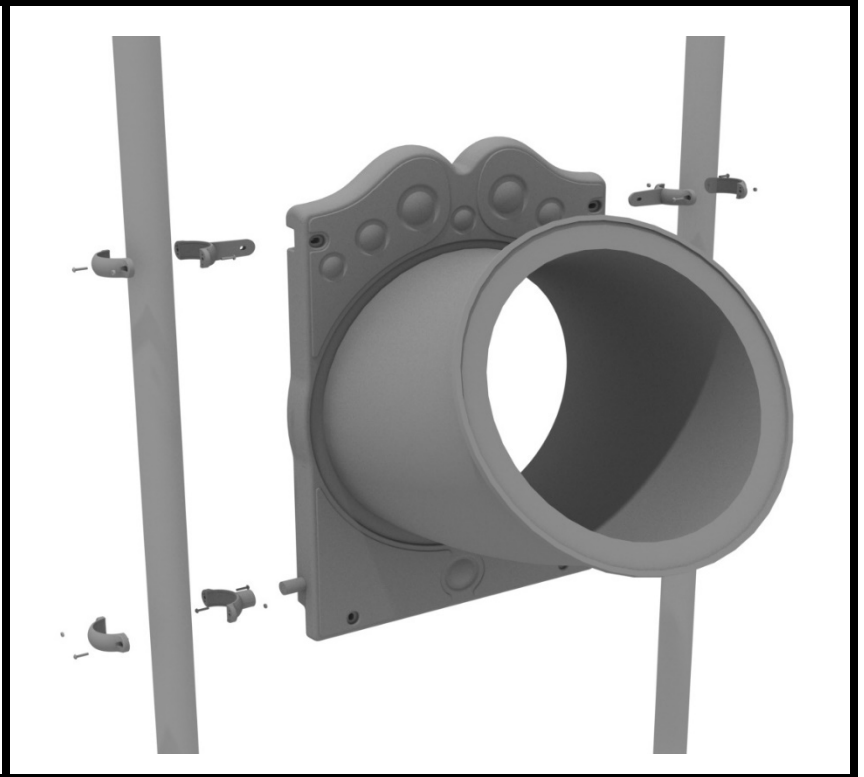
Created By: Kelly D.

Date: 12/17/2020

2-Section Incline Tube Bridge Installation

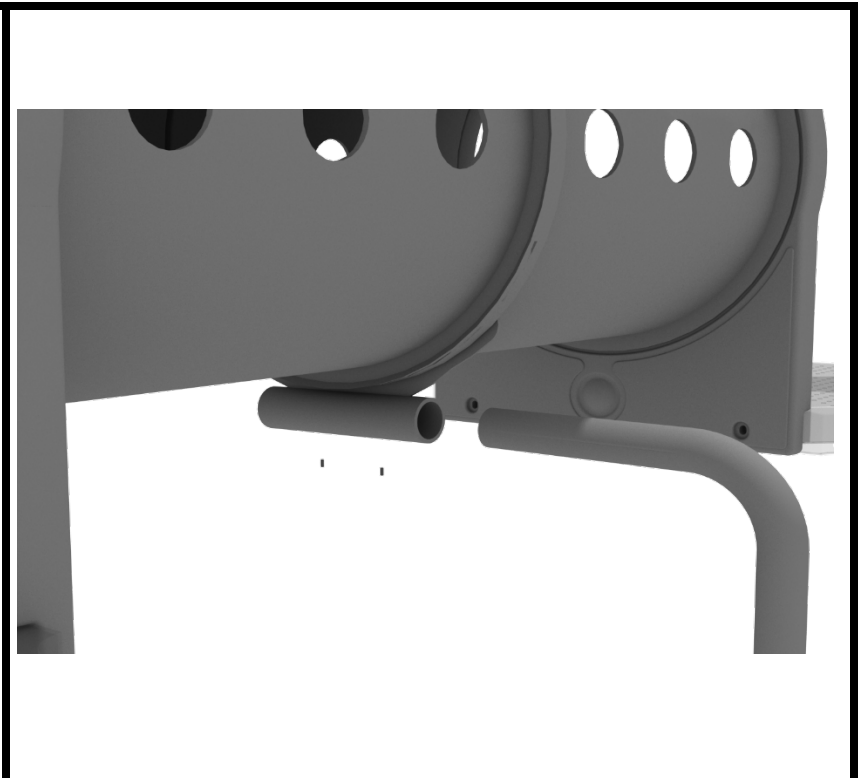
STEP: 3

Attach bottom half of the tube bridge to the proper posts using two (2) flat camps, two (2) M8*40 bolt, two (2) M8 lock nut for the top attachment points. Then use two (2) tube clamps, two (2) M8*40 bolt, two (2) M8 lock nut for the lower attachment points.



STEP: 4

See general installation guide regarding footing information for the tube bridge support. Loosen the set screw pre-attached to the tube support bracket and insert the L-shaped support. Then screw the set screws back into place.

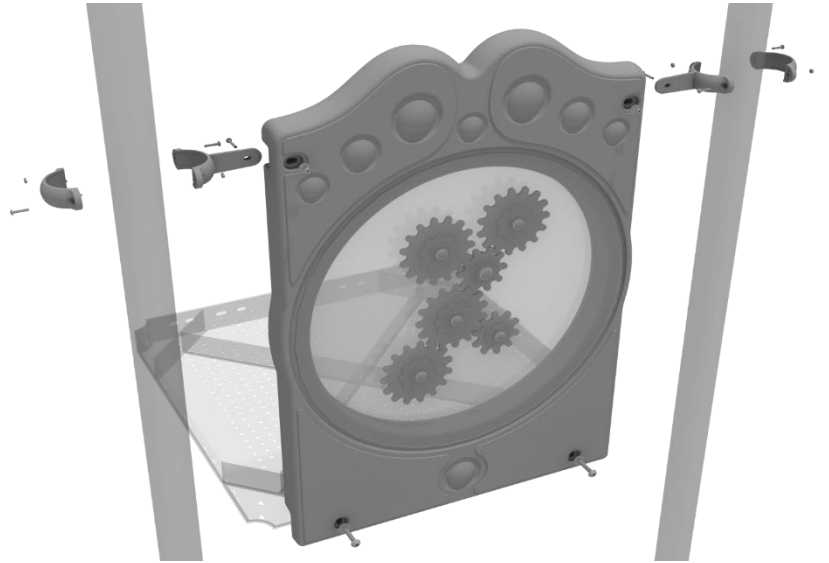


Created By: Kelly D.
Date: 12/17/2020

3.5-inch Gear Panel Installation

STEP: 1

Connect the bottom of the panel to the deck using two (2) M10*50 bolts, four (4) M10 washers, and two (2) M10 lock nuts. Then attach the top of the panel to the posts using two (2) flat clamps.

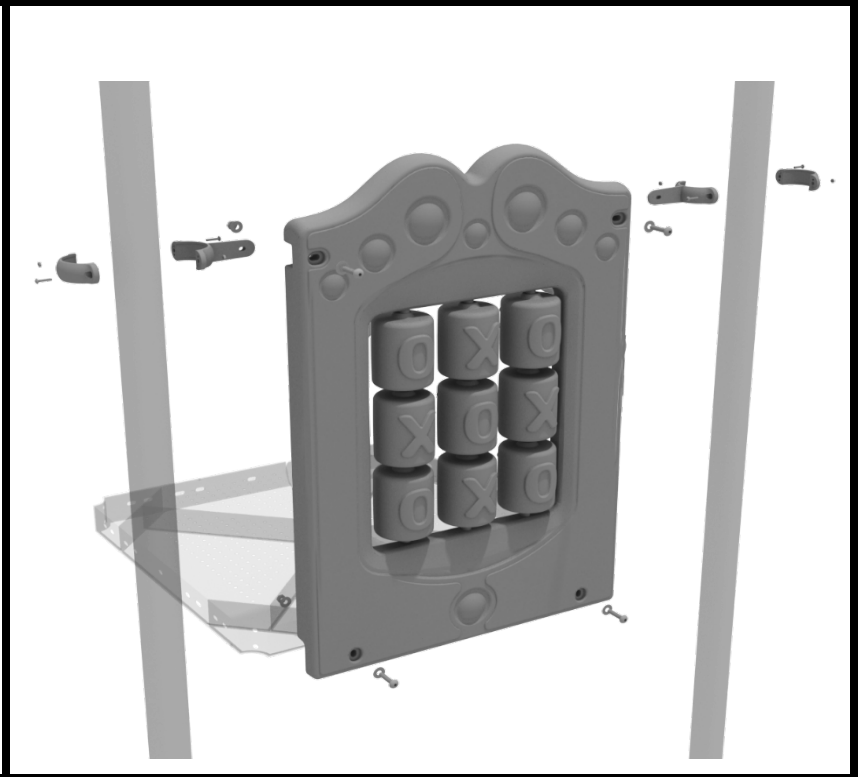


Created By: Aaron Price
Date: 03/23/2018

3.5-inch Tic Tac Toe Panel Installation

STEP: 1

Connect the bottom of the panel to the deck using two (2) M10*50 bolts, four (4) M10 washers, and two (2) M10 lock nuts. Then attach the top of the panel to the posts using two (2) flat clamps.

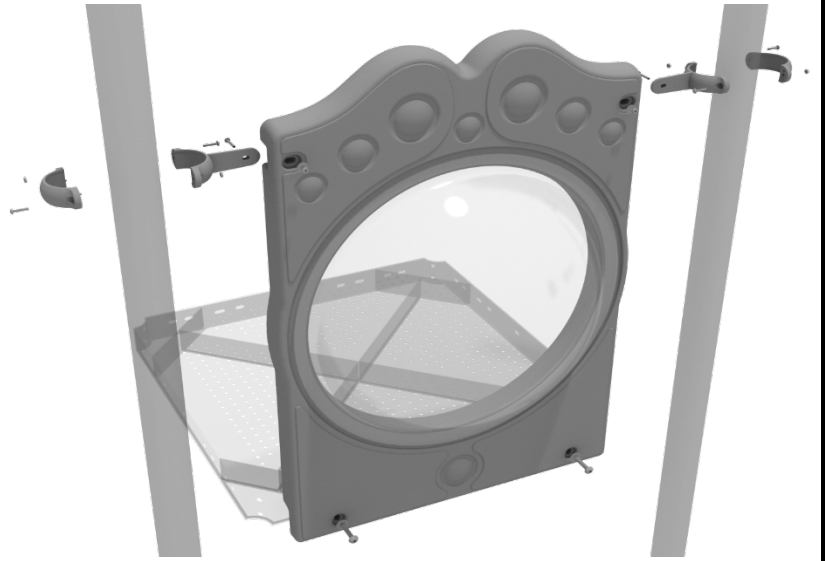


Created By: Aaron Price
Date: 03/23/2018

3.5-inch Bubble Panel Installation

STEP: 1

Connect the bottom of the panel to the deck using two (2) M10*50 bolts, four (4) M10 washers, and two (2) M10 lock nuts. Then attach the top of the panel to the posts using two (2) flat clamps.

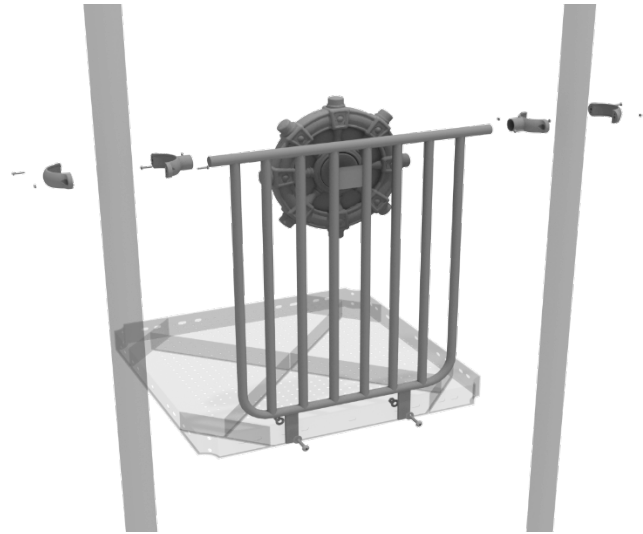


Created By: Aaron Price
Date: 03/23/2018

3.5-inch Metal Barrier w/ wheel Installation

STEP: 1

Attach the metal barrier to the designated posts using two (2) tube clamps two (2) M8*30 bolts. Then, attach the bottom of the metal barrier to the deck using two (2) M10*25 bolts, four (4) M10 washers, and two (2) M10 lock nuts.

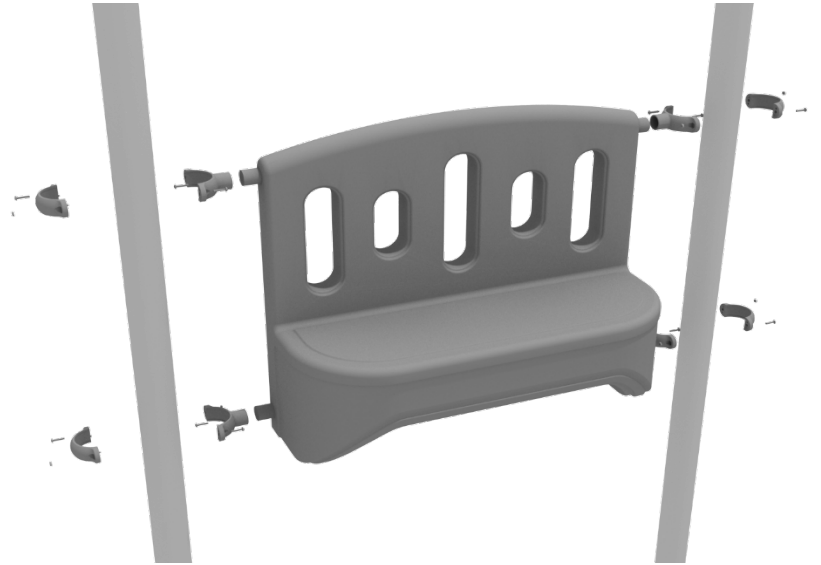


Created By: Aaron Price
Date: 03/21/2018

4.5-inch Bench Installation

STEP: 1

Connect the bench panel to the designated post using four (4) 3.5-inch tube clamps.

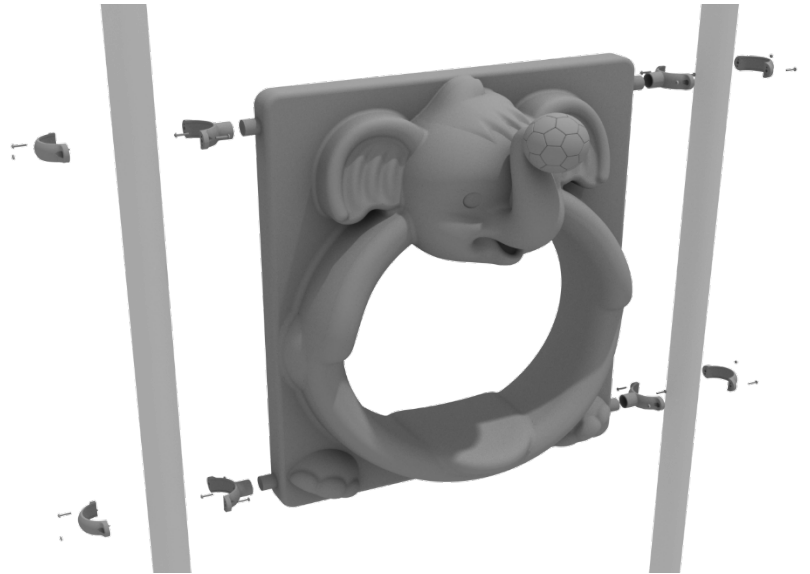


Created By: Aaron Price
Date: 03/29/2018

3.5inch Elephant Panel Installation

STEP: 1

Attach the Elephant Panel to the designated posts using four (4) 3.5-inch flat clamps, and four (4) M8*25 bolts.

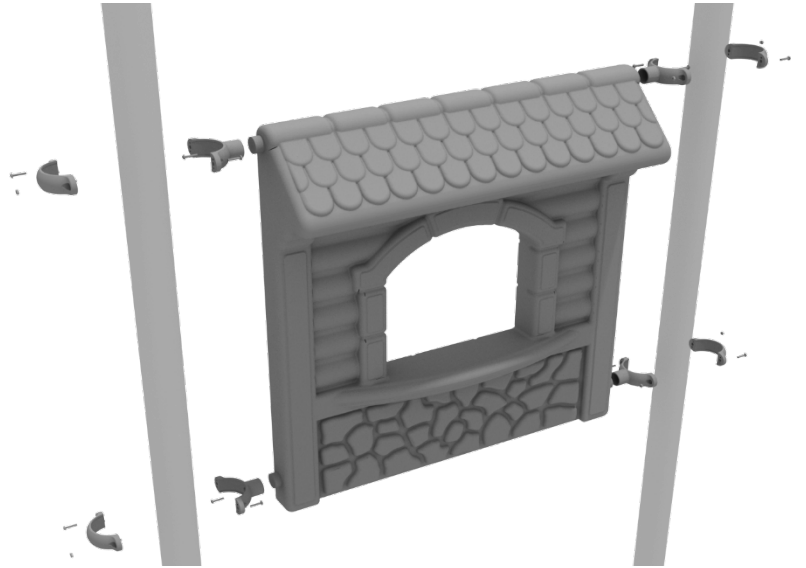


Created By: Aaron Price
Date: 03/21/2018

4.5-inch Store Panel Installation

STEP: 1

Connect the store panel to the designated post using four (4) 3.5-inch tube clamps.

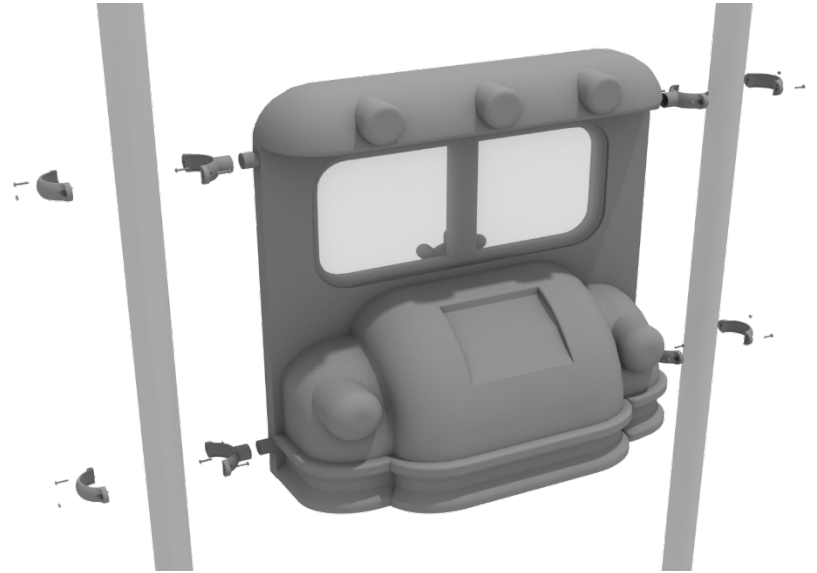


Created By: Aaron Price
Date: 03/29/2018

4.5-inch Car Panel Installation

STEP: 1

Connect the Car panel to the designated post using four (4) 3.5-inch tube clamps.

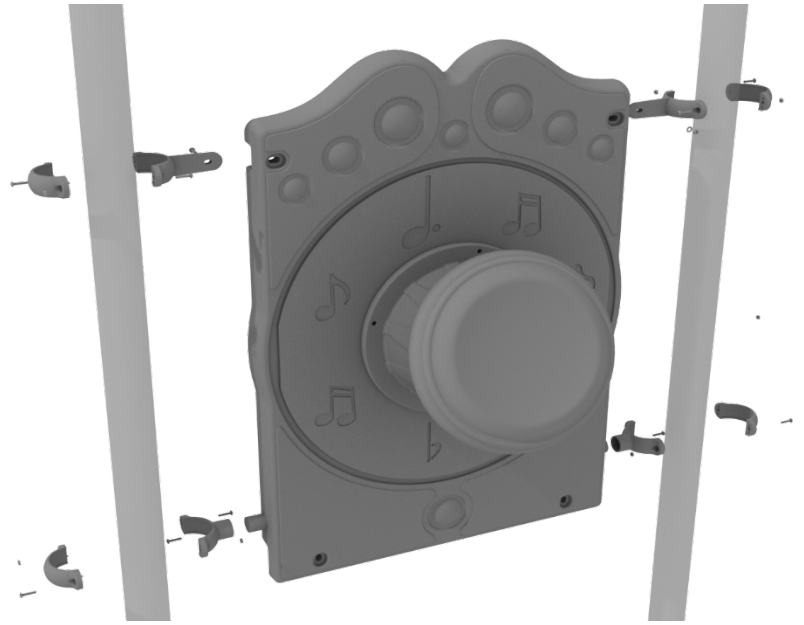


Created By: Aaron Price
Date: 05/07/2018

3.5-inch Drum Panel Installation

STEP: 1

Attach the Drum Panel to the designated posts using two (2) flat clamps for the top of the panel, and two (2) tube clamps for the bottom of the panel.

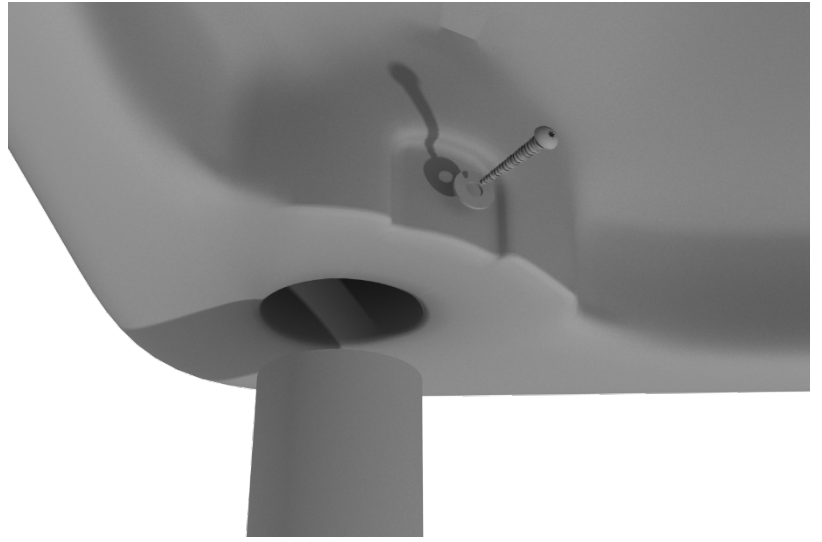


Created By: Aaron Price
Date: 03/21/2018

Line Roof Installation

STEP: 1

Set the line roof on top of the posts. Take four (4) self-tapping screws and drill them through the notch at each corner of the roof, into the support posts.



Created By: Aaron Price
Date: 03/19/2018