

TECHNICAL SPECIFICATIONS

KA-8546 Adjustable Therashape™ table



Hand therapy table provides adjustability for individual positioning or multi-user environments.

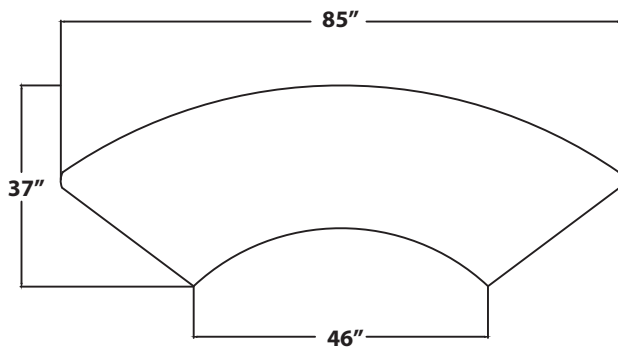
FEATURES:

- Standard tabletop construction with durable laminate finish and vinyl edge
- Steel column with durable powder coat finish
- Custom designed extruded metal columns provide precision movement for fast, simple knob-adjustment
- 5 adjustable base levelers

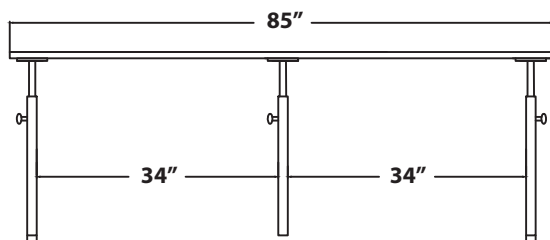
TECHNICAL DATA:

- Standard table dimensions: 85" x 37"
- Therapist area: 46" x 9"
- Vertical adjustment capability: 10"
- Standard base color: Almond, or Graphite Silver

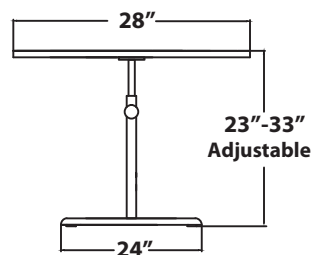
MODEL	DIMENSIONS	ADJUSTMENT RANGE	START/END HEIGHT	LEG SPAN
KA-8546	85" X 37"	10"	23", 33"	34"



Top View



Front View



Side View