



POPULAS
furniture by AD·AS

KA-7248
Adjustable Therawrap™ table

Personal adjustable tilting worktable provides adjustability for individual positioning or multi-user environments.

FEATURES:

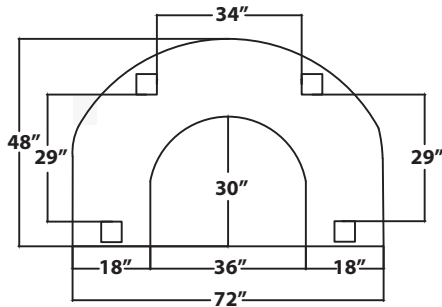
- Standard tabletop construction with durable laminate finish and vinyl edge
- Steel column with durable powder coat finish
- Custom designed extruded metal columns provide precision movement for fast, simple knob-adjustment
- 6 adjustable base levelers

TECHNICAL DATA:

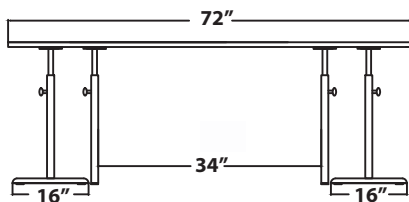
- Standard table dimensions: 72" x 48"
- Vertical adjustment capability: 10"
- Standard base color: Almond, or Graphite Silver



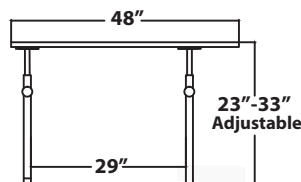
| MODEL | DIMENSIONS | ADJUSTMENT RANGE | START/END HEIGHT | LEG SPAN |
|---------|------------|------------------|------------------|---------------|
| KA-7248 | 72" X 48" | 10" | 23", 33" | 29", 34", 29" |



Top View



Front View



Side View