

JAY[®]

JAY J2 DEEP CONTOUR CUSHION

JAY[®] J2 Deep Contour Cushion

Owner's Manual

IMPORTANT CONSUMER INFORMATION

NOTICE: This manual contains instructions for use with the foam cushion products. This information must be passed on to the user of this product. Please do not remove this manual before delivery to the end user.

SUPPLIER: This manual must be given to the user of this product.

USER: Before using this product, read this entire manual and save for future reference.

Cojín JAY[®] J2 Deep Contour

Manual de instrucciones

INFORMACIÓN IMPORTANTE PARA EL CONSUMIDOR

AVISO: Este manual contiene instrucciones importantes que deben ser entregadas al usuario de este producto. Por favor no retire este manual antes de la entrega al usuario.

DISTRIBUIDOR: Este manual debe ser entregado al usuario de este producto.

USUARIO: Antes de usar este producto, lea este manual en su totalidad y guárdelo para futura referencia.

Coussin à Contour Profond JAY[®] J2

Manuel d'instructions

INFORMATIONS IMPORTANTES DESTINÉES AU CONSOMMATEUR

AVIS: Ce manuel contient des instructions importantes qui doivent être communiquées à l'utilisateur de ce produit. Prière de ne pas le retirer avant livraison.

FOURNISSEUR: Ce manuel doit être remis à l'utilisateur de ce produit.

UTILISATEUR: Avant d'utiliser ce produit, lisez entièrement ce manuel et conservez-le pour référence ultérieure.



A. CHOOSE THE RIGHT CUSHION

Sunrise Medical recommends that a clinician such as a doctor or therapist experienced in seating and positioning be consulted to determine if a JAY Cushion is appropriate for your specific needs. Cushions should only be installed by an authorized Sunrise Medical supplier.

B. CHECK SITTING PRESSURE OFTEN

Your JAY cushion was designed for sitting comfort and postural support. Users should inspect their skin daily for redness. The clinical indicator of tissue breakdown is skin redness. If your skin develops redness, discontinue the use of the cushion immediately and see your doctor or therapist.

C. REVIEW THIS MANUAL OFTEN

Before using this cushion, you and each person who may assist you, should read this entire Manual and make sure to follow all instructions. Review the Warnings often, until they are second nature to you.

D. WARNINGS

The word "WARNING" refers to a hazard or unsafe practice that may cause severe injury or death to you or to other persons.

E. GENERAL WARNINGS**⚠ WARNING**

Do not install this equipment without first reading and understanding this manual. If you are unable to understand the Warnings, Cautions, and/or Instructions, contact a qualified clinician or supplier - otherwise injury or damage may occur.

⚠ WARNING

Hook and loop Velcro® should not come into prolonged contact with moisture as this may degrade the adhesive and lead to a failure of the Velcro® to hold the cushion in place.

⚠ WARNING

Installing a cushion on a wheelchair may affect the center of gravity of the wheelchair. Installed incorrectly, it may cause the wheelchair to tip backwards, potentially resulting in injury. Always assess if the addition of anti-tips, and/or an amputee axle adapter brackets may be needed to help increase stability after adding a cushion.

⚠ WARNING

Prior to prolonged sitting, any cushion should be tried for a few hours at a time while a clinician inspects your skin to ensure that red pressure spots are not developing. You should regularly check for skin redness. The clinical indicator for tissue breakdown is skin redness. If your skin develops redness, discontinue the use of the cushion immediately and see your doctor or therapist.

⚠ WARNING

Your JAY cushion is designed to help reduce pressure. However, no cushion can completely eliminate sitting pressure or prevent pressure sores. The JAY cushion is not a substitute for good skin care including, proper diet, cleanliness, and regular pressure relief. Be sure that the Velcro® is engaged and able to hold the cushion in place.

⚠ WARNING

Avoid using the cushion on overly stretched seat upholstery. Stretched upholstery does not provide adequate support for the cushion and improper positioning may result. Replace stretched upholstery or purchase the J2 Deep Contour Solid Seat Insert or order the J2 Deep Contour Cushion with the Solid Drop Seat. The Solid Drop Seat Option is attached to the cushion for a one piece design that replaces the wheelchair's seat upholstery.

⚠ WARNING

Avoid using overly Stretched back rest upholstery. Stretched back upholstery does not provide adequate support for the body and improper positioning may result. Replace stretched back rest upholstery or purchase a back support product from Sunrise that is appropriate for you. Contact an authorized supplier for a free demonstration of these products.

F. PROTECTING YOUR CUSHION**⚠ WARNING**

Always avoid exposing your cushion to sharp objects, excessive heat or open flame, and prolonged exposure to environmental conditions like freezing temperatures and/or direct sunlight.

Do not leave the cushion outside overnight at temperatures below 40°F (5°C). Allow the cushion to warm to room temperature before using. Sitting on extremely cold or hot surfaces can cause skin damage.

G. OBSTRUCTIONS**⚠ WARNING**

Make sure that there are never any obstructions between you and your cushion. Any obstruction will reduce product effectiveness and/or produce unnecessary pressure points for the user.

H. COVER ORIENTATION**⚠ WARNING**

Product must be used with the cushion cover facing up. If the cover is not used correctly it may reduce or eliminate the cushion's benefits and could increase the risk of skin and soft tissue injuries.

JAY® J2 CUSHION DEEP CONTOUR

The J2 Deep Contour cushion was developed for clinicians to use with clients who are at extremely high risk for skin breakdown. Designed for superior skin protection and stability, the J2 Deep Contour Cushion is the maintenance free alternative you've been waiting for.

J2 Cushion components



SET-UP, ADJUSTMENT & CARE

FITTING THE J2 DEEP CONTOUR CUSHION

1. Initial Cushion set-up without user in seated position

Select the cushion to match your hip width when in the seated position. The cushion length should extend to within 1" - 2" (25cm - 5cm) from the back of the knees. Place the cushion to the back of the wheelchair with the material identification tags and fluid pad toward the rear. When fit correctly, your hips should be to the back of the chair. Your ischial (seat bones) should be centered on the JAY Flow™ Fluid pad in the seat well of the cushion.

Proper footrest adjustment may enhance sitting comfort and help lower peak sitting pressures. Adjust the footrests so your legs rest firmly but comfortably on the cushion.

Note: Do not use the wheelchair's seat width as a guide in determining the appropriate cushion width. Improper cushion fit may be detrimental to the performance of a pressure-distributing cushion and its support of the body.

Checking for bottoming out on the J2 Cushion

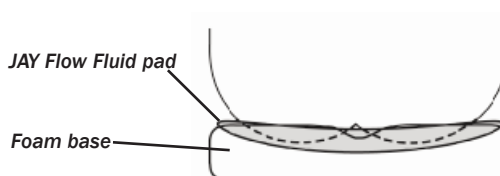
Bottoming out occurs on a J2 Cushion when you displace the fluid out from underneath your seat bones, which leaves you sitting on the foam base. It sometimes occurs on very thin individuals, people using recliner wheelchairs, people who slouch when sitting or if using a cushion that is too wide.

When bottoming out occurs, increased pressure is loaded onto the ischials and coccyx increasing the risk for skin breakdown.

To check for bottoming out, sit on the cushion without the cover for a minimum of two minutes. Transfer up and off the cushion (or have someone help you transfer), trying not to disturb the fluid underneath you. Push down in the depressions on the pad where your ischials (seat bones) and coccyx (tailbone) were. You should have to push through at least 1/2" (1 cm) of fluid before you feel the firm cushion base below.

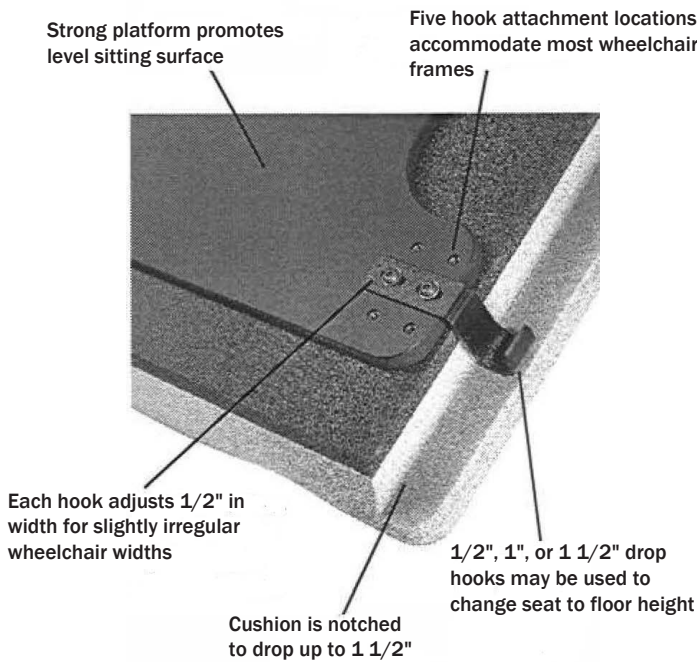
If the cushion is properly positioned and the footrests are properly adjusted, and there is not at least the minimum 1/2" (1 cm) of fluid, the cushion is bottoming out and should not be used. If you are bottoming out, discontinue use of the cushion and see your clinician. Usually bottoming out is easily solved by using fluid supplement pads (part# F 119). Call your local authorized supplier to see if this appropriate for you.

Note: We recommend using a JAY 2 Deep Contour Solid Seat Insert or order the J2 Deep Contour Cushion with the Solid Drop Seat. The Solid Drop Seat Option is attached to the cushion for a one piece design that replaces the wheelchair's seat upholstery. It will optimize the performance of your J2 Deep Contour Cushion and help provide better positioning and increase the life of the cushion.



ASSEMBLING AND ADJUSTING THE SOLID DROP SEAT

Located on the bottom of the Solid Drop Seat are 10 pairs of holes, five pairs on each side of the platform. Each hook has two slots that line up with one pair of holes. Locate where the hooks should best be placed on the platform so that the installation doesn't interfere with hardware on the wheelchair seat frame. There are four hooks. Each side requires installing two. Align the slots in the hooks with one pair of holes. Slide a washer onto a bolt and fasten the bolt through the slot in the hook into the Solid Drop Seat. Each hook requires two bolts. Do the same for all four hooks. Leave all hooks slightly loose. Place the solid seat on the seat rail frame and adjust the width. Tighten as many hook bolts as possible prior to removing Solid Drop Seat from chair (this will preserve their alignment). Remove the Solid Drop Seat and finish tightening the bolts to secure the hooks.



SECURE HOOK RETAINERS AND STOPPERS

You should now be ready to secure the restraining hardware onto your wheelchair rails.

Snap the two hook retainers toward the back of the wheelchair seat rail.

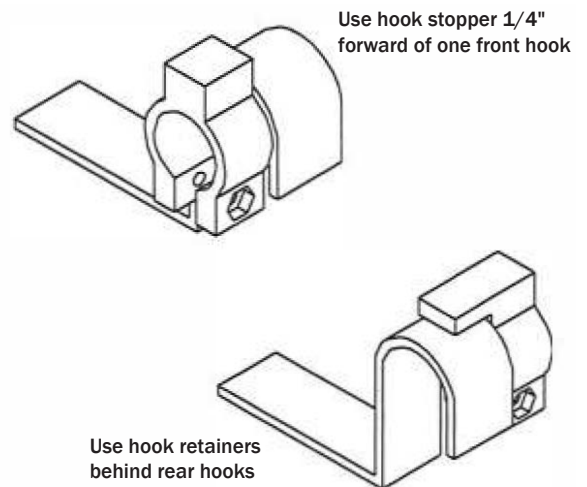
The rear hooks will slide under these as shown below. These will prevent your cushion from accidentally popping out of the wheelchair. Snap the hook stopper towards the front of the wheelchair seat rails. The front hooks rest behind the stopper to prevent your cushion from sliding forward.

Retainers and stoppers should be secured tightly to wheelchair seat rails with the nuts and bolts provided. Point the heads of the bolts to the outside of the wheelchair.

Note: Enclosed are three lengths of 8-32 bolts. Using bolt longer than required can interfere with installation and removal of seat. Use:

- The 8-32 x 3/4" when the stopper and/or retainers are mounted on 7/8" tubing.
- The 8-32 x 1" when the stopper and/or retainers are mounted on 1" diameter tubing.
- The 8-32 x 1-1/4" when the stopper and/or retainers are mounted over "rivnut" threaded insert on 1" diameter tubing. To install cushion, simply slide rear hooks under the rear hooks retainers and drop front hook behind hook stopper.

Note: If hook retainers or stopper cannot be installed due to interference with hardware on your wheelchair, you might need to select an alternate location for your brackets and hooks.



LENGTH ADJUSTMENT

For a longer seat length, position Solid Drop Seat 1" (2 cm) forward of the rear vertical posts of your wheelchair. If front hooks are less than 1" (2 cm) from front end of seat rails, then remove front hooks and move them to the alternate location directly behind (see picture).

Fitting Hint:

Once you have determined the position of your Solid Drop Seat on your wheelchair, you may find that the hooks interfere with the hardware that is particular to your wheelchair. If this is the case, reposition those particular hardware hooks to an alternate location.

EASY MAINTENANCE AND CLEANING

Remove the cover and turn it inside out. Machine wash on warm cycle and tumble dry on low heat. Do not use industrial dryers. Do not steam autoclave. Wipe to clean the fluid pad with warm water and towel dry. Do not submerge in water. Water may be absorbed into the foam through the air vents on the top of the pad. Wipe to clean the foam base and towel dry.

Note: When the cover is removed from the cushion for cleaning inspect the fluid pad and foam base for unusual wear. Feel the fluid for any inconsistencies. If inconsistencies are found, knead the fluid pad to original consistency and/or call Jay customer service at Sunrise Medical

REASSEMBLING THE J2 DEEP CONTOUR CUSHION AFTER CLEANING

Follow cleaning and maintenance instructions as described in "Easy maintenance and cleaning", then reassemble as follows after cleaning. Attach the fluid pad to the foam base. Attach the rear three Velcro® strips first, then the front two Velcro® strips. Reinstall the cover with the material I.D. tags to the back. If necessary, reinstall the four hooks on the solid drop seat.

JAY J2 DEEP CONTOUR CUSHION WARRANTY

Each JAY fluid cushion is carefully inspected and tested to provide peak performance. Every JAY fluid cushion is guaranteed to be free from defects in materials and workmanship for a period of 24 months from the date of purchase, provided normal use. Should a defect in materials or workmanship occur within 24 months from the original date of purchase, Sunrise Medical will, at its option, repair or replace it without charge. This warranty does not apply to punctures, tears, or burns, nor to the cushion's removable cover. Claims and repairs should be processed through the nearest authorized supplier. Except for express warranties made herein, all other warranties, including implied warranties of merchantability and warranties of fitness for a particular purpose are excluded. There are not warranties which extend beyond the description on the face hereof. Remedies for breach of express warranties herein are limited to repair or replacement of the goods. In no event shall damages for breach of any warranty include any consequential damages or exceed the cost of non-conforming goods sold.

JAY Flow Fluid Pad

Consult your healthcare professional for proper fitting and use, and read the following statements carefully:

Fluid Pad Policy

If a Clinician, Certified Rehab Professional, or Authorized Sunrise Medical Supplier has determined that the fluid volume is inappropriate or the original purchaser, Sunrise Medical, during the warranty life of the product, will replace the fluid pad free of charge. Requests must be submitted by an authorized Sunrise Medical supplier.

- The fluid in this cushion may lose volume over time.
- Volume loss in this cushion may result in bottoming out the cushion.
- Monthly, during routine cleaning and inspection, check this cushion for bottoming out (see instructions under "checking for bottoming out" in the warranty use and care guide) and any fluid inconsistencies. If the fluid is firmer in one area simply knead it back to its original consistency.
- If bottoming out occurs discontinue use of this cushion and contact your healthcare professional. If further assistance is necessary, contact Sunrise Medical Customer Service

For goods provided by Sunrise Medical Pty Ltd in Australia, our goods come with a guarantee by Sunrise that cannot be excluded under the Australian Consumer Law. You are entitled to replacement or refund for a major failure and for compensation for any other reasonable foreseeable loss or damage. You are also entitled to have the goods repaired or replaced if the goods fail to be of acceptable quality and the failure does not amount to a major failure. The benefits to you given by this warranty are in addition to your other rights and remedies under a law in relation to the goods to which the warranty relates.

Record your serial number here for future reference:

JAY[®]

JAY J2 DEEP CONTOUR CUSHION

JAY[®] J2 Deep Contour Cushion

Owner's Manual

IMPORTANT CONSUMER INFORMATION

NOTICE: This manual contains instructions for use with the foam cushion products. This information must be passed on to the user of this product. Please do not remove this manual before delivery to the end user.

SUPPLIER: This manual must be given to the user of this product.

USER: Before using this product, read this entire manual and save for future reference.

Cojín JAY[®] J2 Deep Contour

INFORMACIÓN IMPORTANTE PARA EL CONSUMIDOR

AVISO: Este manual contiene instrucciones importantes que deben ser entregadas al usuario de este producto. Por favor no retire este manual antes de la entrega al usuario.

DISTRIBUIDOR: Este manual debe ser entregado al usuario de este producto.

USUARIO: Antes de usar este producto, lea este manual en su totalidad y guárdelo para futura referencia.

Manual de instrucciones



A. ELIJA EL COJÍN ADECUADO

Sunrise Medical recomienda que consulte a un profesional de la salud, por ejemplo, un médico o un terapeuta, que cuente con experiencia en el sentado y posicionamiento del paciente para que determine si un Cojín JAY es adecuado para sus necesidades específicas. Únicamente un distribuidor autorizado de Sunrise Medical debe instalar los cojines.

B. VERIFIQUE FRECUENTEMENTE LA PRESIÓN AL ESTAR SENTADO

El cojín JAY está diseñado para brindar comodidad y apoyo postural al estar sentado. Los usuarios deben inspeccionar su piel diariamente para detectar enrojecimiento. El indicador clínico de la ruptura de tejidos es el enrojecimiento de la piel. Si la piel se enrojece, suspenda el uso del cojín de inmediato y consulte a su médico o terapeuta.

C. CONSULTE ESTE MANUAL CON FRECUENCIA Antes de utilizar este cojín, tanto usted como cualquier persona que vaya a ayudarlo deberán leer el Manual en su totalidad y asegurarse de seguir todas sus instrucciones. Repase con frecuencia las Advertencias, hasta que se conviertan en un hábito natural para usted.

D. ADVERTENCIAS

La palabra "ADVERTENCIA" se refiere a un peligro o una práctica insegura que pueden provocarle, a usted o a otras personas, lesiones graves e incluso la muerte.

E. ADVERTENCIAS GENERALES**⚠️ ADVERTENCIA**

No instale este producto sin antes leer y comprender este manual. Si no logra entender las Advertencias, Precauciones y/o Instrucciones, consulte a un profesional de la salud o a un distribuidor calificado; de lo contrario, podría sufrir lesiones o daños.

⚠️ ADVERTENCIA

El Velcro® de retención no debe entrar en contacto prolongado con la humedad para evitar que el adhesivo se degrade y ocasione que el Velcro® no sea capaz de mantener el cojín en su lugar.

⚠️ ADVERTENCIA

La instalación de un cojín en una silla de ruedas puede afectar el centro de gravedad de la silla. Si el cojín está instalado de manera incorrecta, puede provocar que la silla de ruedas se vuelque hacia atrás y causar posibles lesiones. Evalúe siempre si la instalación de tubos antivolcaduras o abrazaderas adaptadoras del eje para amputados es necesaria para aumentar la estabilidad después de instalar un cojín.

⚠️ ADVERTENCIA

Antes del uso prolongado de un asiento, cualquier cojín debe probarse durante algunas horas seguidas mientras un profesional de la salud le examina la piel para cerciorarse de que no se produzcan puntos de presión enrojecidos. Siempre debe revisar periódicamente para detectar un posible enrojecimiento de la piel. El indicador clínico de la ruptura de tejidos es el enrojecimiento de la piel. Si la piel se enrojece, suspenda el uso del cojín de inmediato y consulte a su médico o terapeuta.

⚠️ ADVERTENCIA

Su cojín JAY está diseñado para ayudar a reducir la presión. No obstante, ningún cojín puede eliminar por completo la presión al estar sentado ni evitar las úlceras por presión. El cojín JAY no sustituye el buen cuidado de la piel; lo cual incluye una dieta adecuada, una buena higiene y un alivio frecuente de la presión. Cerciórese de que el Velcro® esté adherido y apto para mantener el cojín en su lugar.

⚠️ ADVERTENCIA

Evite utilizar el cojín si la tapicería del asiento está demasiado estirada. La tapicería estirada no brinda el soporte adecuado para el cojín y, como consecuencia, la posición puede ser incorrecta. Reemplace la tapicería estirada o adquiera el Inserto de Asiento Sólido para J2 Deep Contour o bien, pida este Cojín con el Asiento de Descenso Sólido. La Opción de Asiento con Descenso Sólido se fija al cojín para lograr un diseño de una sola pieza que reemplace la tapicería del asiento de la silla de ruedas.

⚠️ ADVERTENCIA

Evite utilizar tapicería del respaldo que esté demasiado Estirada. La tapicería estirada del respaldo no brinda el soporte adecuado para el cuerpo y, como consecuencia, la posición puede ser incorrecta. Reemplace la tapicería estirada del respaldo o adquiera un producto de soporte para la espalda de Sunrise que sea adecuado para usted. Comuníquese con un distribuidor autorizado para recibir una demostración de estos productos sin costo.

F. PROTECCIÓN DEL COJÍN**⚠️ ADVERTENCIA**

Evite siempre exponer el cojín a objetos filosos, calor excesivo o fuego directo, y evite la exposición prolongada a ciertas condiciones ambientales como temperaturas de congelación y la luz solar directa.

No deje el cojín afuera durante la noche a temperaturas menores a 5°C (40°F). Deje que el cojín adquiera la temperatura de la habitación antes de utilizarlo. Sentarse en superficies extremadamente calientes o frías podría ocasionar daños a la piel.

G. OBSTRUCCIONES**⚠️ ADVERTENCIA**

Asegúrese de que no exista ninguna obstrucción entre usted y su cojín. Cualquier obstrucción existente disminuirá la eficacia del producto o se producirán puntos de presión innecesarios para el usuario.

H. ORIENTACIÓN DE LA FUN**⚠️ ADVERTENCIA**

El producto se debe usar con la funda hacia arriba. Si la funda no se utiliza correctamente, es posible que disminuyan o desaparezcan los beneficios del cojín, además podría aumentar el riesgo de lesiones en la piel y los tejidos blandos.

COJÍN JAY® J2 DEEP CONTOUR

Clínicos especialistas desarrollaron el cojín J2 Deep Contour para que lo utilicen los clientes que tengan un riesgo severo de daños en la piel. El Cojín J2 Deep Contour está diseñado para dar protección y estabilidad superiores a la piel, y es la alternativa libre de mantenimiento que ha estado esperando.

Componentes del Cojín J2



INSTALACIÓN, AJUSTE Y CUIDADOS

INSTALACIÓN DEL COJÍN J2 DEEP CONTOUR

1. Instalación inicial del Cojín sin usuario sentado

Seleccione el cojín que sea adecuado para el ancho de su cadera al estar en posición sentada. La longitud del cojín debería extenderse de 2.5 cm a 5 cm (1 pulg. a 2 pulg.) desde la parte posterior de las rodillas. Coloque el cojín hasta la parte posterior de la silla de ruedas con las etiquetas de identificación del material y con la almohadilla de líquido hacia la parte posterior. Al estar correctamente ajustado, su cadera debe estar colocada en la parte posterior de la silla. Sus huesos isquiones (los huesos para sentarse) deben estar centrados en la Almohadilla de Líquido JAY Flow™ en el espacio para sentarse del cojín.

El ajuste adecuado del reposapiés puede mejorar el confort al sentarse y ayudarle a reducir las presiones máximas al sentarse. Ajuste los reposapiés de modo que sus piernas se apoyen en el cojín de manera firme y cómoda.

Nota: No utilice el ancho del asiento de la silla de ruedas como guía para determinar el ancho adecuado del cojín. El ajuste inadecuado puede ser perjudicial para el desempeño de la función distribuidora de la presión del cojín y para su soporte del cuerpo.

Revisión para verificar que el Cojín J2 no toque el fondo

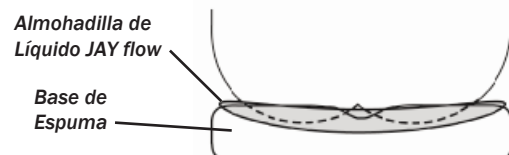
El Cojín J2 toca el fondo cuando la almohadilla de líquido se desplaza hacia fuera de la parte inferior de sus huesos para sentarse, lo que provoca que quede sentado sobre la base de espuma. Algunas veces ocurre con personas muy delgadas, con personas que utilizan sillas de ruedas reclinables, personas que se encorvan al sentarse o que usan un cojín demasiado amplio.

Cuando esto ocurre, se genera una mayor presión en los huesos isquiones y del coxis, lo que aumenta el riesgo de dañar la piel.

Para verificar si el cojín tocó el fondo, siéntese sobre el cojín sin la funda durante al menos dos minutos. Suba y baje del cojín (o pídale a alguien que lo ayude a hacerlo), tratando de no mover el líquido que está debajo de usted. Presione las marcas de presión que se muestren en la almohadilla, en donde estuvieron sus huesos isquiones (para sentarse) y coxis. Debe tener que presionar a través de al menos 1 cm (1/2 pulg.) de líquido antes de sentir la base firme del cojín que está debajo.

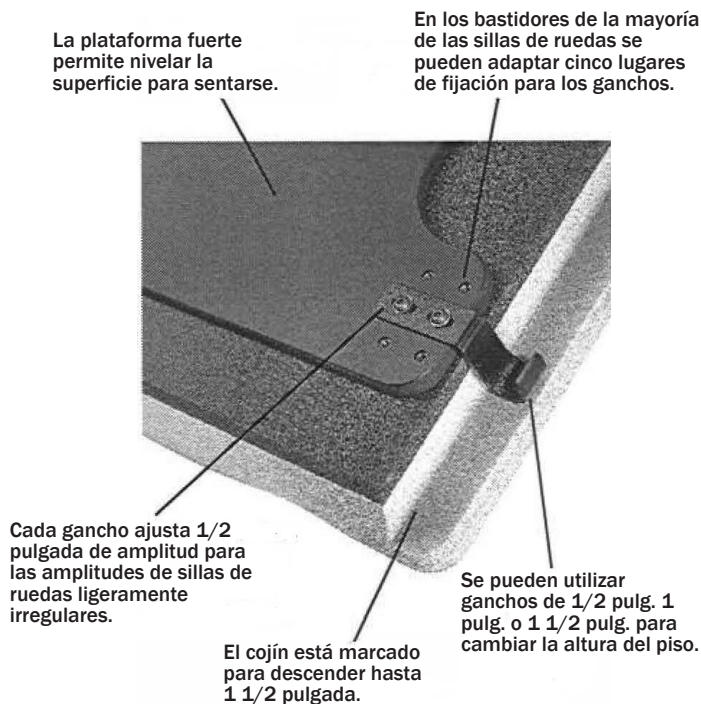
Si el cojín está adecuadamente colocado y los reposapiés adecuadamente ajustados, y no hay por lo menos 1 cm (1/2 pulg.) de líquido, el cojín está tocando el fondo y no debe usarlo. En este caso, deje de usar el cojín y consulte a su clínico especialista. Normalmente, esta situación se resuelve fácilmente con el uso de almohadillas de líquido complementarias (No. de pieza 119). Llame a su distribuidor autorizado para ver si esto es adecuado para usted.

Nota: Recomendamos utilizar el Inserto de Asiento Sólido para J2 Deep Contour o bien, pedir el Cojín J2 Deep Contour con el Asiento de Descenso Sólido. La Opción de Asiento con Descenso Sólido se fija al cojín para lograr un diseño de una sola pieza que reemplace la tapicería del asiento de la silla de ruedas. Esto optimizará el desempeño de su Cojín J2 Deep Contour y le ayudará a tener un mejor posicionamiento y a aumentar la vida útil del cojín.



ARMADO Y AJUSTE DEL ASIENTO DE DESCENSO SÓLIDO

En la parte inferior del Asiento de Descenso Sólido, hay 10 pares de orificios, cinco pares a cada lado de la plataforma. Cada gancho tiene dos ranuras que se alinean con un par de orificios. Ubique el mejor lugar de la plataforma en donde deban estar los ganchos, para que la instalación no interfiera con las piezas del bastidor del asiento de la silla de ruedas. Hay cuatro ganchos. Se deben instalar dos ganchos en cada lado. Alinee las ranuras en los ganchos con un par de orificios. Deslice una arandela en un perno y apriete el perno a través de la ranura del gancho hacia dentro del Asiento de Descenso Sólido. Cada gancho necesita dos pernos. Realice la misma operación para los cuatro ganchos. Deje todos los ganchos ligeramente flojos. Coloque el asiento sólido en el bastidor de los rieles del asiento y ajuste el ancho. Apriete tantos pernos de ganchos como sea posible antes de retirar el Asiento de Descenso Sólido de la silla (esto mantendrá su alineación). Retire el Asiento de Descenso Sólido y termine de apretar los pernos para asegurar los ganchos.



PARA ASEGURAR LOS RETENES Y TOPES DE LOS GANCHOS

Ahora ya debería estar listo para fijar las piezas de retención en los rieles de la silla de ruedas.

Cierre a presión los dos retenes de ganchos que están en la parte posterior de los rieles del asiento de la silla de ruedas.

Por debajo de ellos, se deslizarán los ganchos posteriores como se muestra a continuación. Esto evitará que su cojín se salga accidentalmente de la silla. Cierre a presión el tope del gancho que está en la parte frontal de los rieles del asiento de la silla de ruedas. Los ganchos frontales permanecen detrás del tope, para evitar que el cojín se deslice hacia adelante.

Se deben fijar muy bien los retenes y los topes a los rieles de la silla de ruedas con los pernos y tuercas provistos. Coloque las cabezas de los pernos hacia la parte exterior de la silla de ruedas.

Nota: Se incluyen pernos de 8-32 con tres longitudes. El uso de un perno más largo de lo necesario puede interferir con la instalación y con el retiro del asiento.

Utilice:

- El perno de 8-32 x 3/4" cuando el tope y/o los retenes estén montados sobre tubos de 7/8".
- El perno de 8-32 x 1" cuando el tope y/o los retenes estén montados sobre tubos de 1" de diámetro.
- El perno de 8-32 x 1-1/4" cuando el tope y/o los retenes estén montados sobre un inserto roscado "rivnut" sobre tubos de 1" de diámetro. Para instalar el cojín, simplemente deslice los ganchos posteriores debajo de los retenes y baje el gancho frontal hacia atrás del tope.

Nota: Si no puede instalar los retenes o los topes debido a que interfieren con las piezas de la silla de ruedas, podría necesitar seleccionar una ubicación alternativa para las abrazaderas y ganchos.



AJUSTE DE LA LONGITUD

Para una mayor longitud del asiento, coloque el Asiento de Descenso Sólido a 2 cm (1 pulgada) de frente a los postes verticales posteriores de la silla de ruedas. Si los ganchos frontales están a menos de 2 cm (1 pulg.) de donde terminan los rieles del asiento, retire los ganchos frontales y muévalos a la ubicación alternativa directamente hacia atrás (vea la imagen).

Pista para Ajustar:

Una vez que haya determinado la posición de su Asiento de Descenso Sólido en la silla de ruedas, podría encontrar que los ganchos interfieren con las piezas particulares de su silla de ruedas. Si este es el caso, vuelva a colocar esos ganchos en una ubicación alternativa.

MANTENIMIENTO Y LIMPIEZA SENCILLOS

Retire la funda y dele la vuelta. Lave a máquina con agua tibia y use secadora a baja temperatura. No utilice secadoras industriales. No esterilice mediante vapor a presión. Para limpiar la almohadilla de líquido, utilice paños con agua tibia y una toalla para secarla. No sumerja en agua. La espuma puede absorber agua a través de las ventilaciones de la parte superior de la almohadilla. Limpie con un paño la base de espuma y seque con una toalla.

Nota: Cuando retire la funda para limpiar el cojín, revise la almohadilla de líquido y la base de espuma para detectar señales de desgaste inusual. Detecte mediante el tacto cualquier inconsistencia en el líquido. Si encuentra alguna inconsistencia, pase su mano por la almohadilla de líquido para intentar devolverle su consistencia original, o llame al servicio al cliente de Jay en Sunrise Medical, al número

REINSTALACIÓN DEL COJÍN J2 DEEP CONTOUR DESPUÉS DE LA LIMPIEZA

Siga las instrucciones de limpieza y mantenimiento indicadas en la sección "Mantenimiento fácil y limpieza", y luego vuelva a instalar de la siguiente manera. Fije la almohadilla de líquido a la base de espuma. Fije primero las tres cintas posteriores de Velcro®, luego las dos cintas frontales de Velcro®. Vuelva a instalar la funda con las etiquetas de Identificación del material en la parte posterior. De ser necesario, reinstale los cuatro ganchos en el asiento de descenso sólido.

GARANTÍA DEL COJÍN JAY J2 DEEP CONTOUR

Cada cojín de líquido JAY se somete a inspecciones y pruebas rigurosas para proporcionar el mejor servicio. Cada cojín de líquido JAY cuenta con garantía contra defectos de los materiales o de mano de obra por un período de 24 meses a partir de la fecha de compra, si se usa de manera normal. En caso de presentarse defectos en los materiales o mano de obra dentro del período de 24 meses a partir de la fecha de compra original, Sunrise Medical lo reparará o reemplazará, a su discreción, sin cargo alguno. Esta garantía no se aplica a los pinchazos, rupturas o quemaduras, ni a la funda removible del cojín. Las reclamaciones y reparaciones serán procesadas a través del distribuidor autorizado de Sunrise más cercano. Con excepción de las garantías expresas establecidas en este documento, se excluyen todas las demás garantías, incluidas las garantías implícitas de comercialización y las garantías de idoneidad para un propósito en particular. No existe ninguna garantía que se extienda fuera de la descripción aquí establecida. Los resarcimientos por violaciones de las garantías expresas aquí establecidas se encuentran limitados a la reparación o el reemplazo de los bienes. En ningún caso, las indemnizaciones por incumplimiento de cualquier garantía incluirán daños indirectos ni excederán el costo de los bienes vendidos que no cumplen con las especificaciones.

Almohadilla de Líquido JAY Flow

Consulte a su profesional de la salud para obtener el ajuste y uso adecuados, y lea con atención las siguientes afirmaciones:

Política de las Almohadillas de Líquido

Si un Clínico, Profesional Certificado en Tratamientos de Rehabilitación o Proveedor Autorizado de Sunrise Medical determina que el volumen de líquido es inapropiado para el comprador original, Sunrise Medical reemplazará la almohadilla de líquido sin cargo, siempre y cuando la garantía del producto se encuentre vigente. Los pedidos se deben presentar a través de un proveedor autorizado de Sunrise Medical.

- El líquido del cojín puede perder volumen con el tiempo.
- La pérdida de volumen en este cojín puede causar que toque el fondo.
- De manera mensual, durante la inspección y limpieza de rutina, revise el cojín para verificar que no toque el fondo (vea las instrucciones en la sección "revisión para verificar si el cojín toca el fondo" en la guía de uso y cuidados de la garantía) y para detectar cualquier inconsistencia en el líquido. Si el líquido está más firme en un área, simplemente pase su mano por el líquido hasta que vuelva a su consistencia original.
- Si el cojín toca el fondo, deje de usarlo y póngase en contacto con su profesional de la salud. Si necesita mayor asistencia, comuníquese con el Departamento de servicio al cliente

Para productos suministrados por Sunrise Medical Pty Ltd en Australia, nuestros productos cuentan con una garantía de Sunrise que no puede ser excluida conforme a la Ley del Consumidor de Australia. Tiene derecho a recibir un reemplazo o reembolso por una falla grave y una compensación por otra pérdida o daño previsible razonable. También tiene derecho a recibir una reparación o reemplazo si los productos no ofrecen una calidad aceptable y si la falla no equivale a una falla grave. Los beneficios otorgados por esta garantía son adicionales a otros derechos y soluciones conforme a una ley con referencia a los productos con los que se asocia la garantía.

Anote su número de serie aquí como referencia a futuro:

JAY[®]

JAY J2 DEEP CONTOUR CUSHION

JAY[®] J2 Deep Contour Cushion

Owner's Manual

IMPORTANT CONSUMER INFORMATION

NOTICE: This manual contains instructions for use with the foam cushion products. This information must be passed on to the user of this product. Please do not remove this manual before delivery to the end user.

SUPPLIER: This manual must be given to the user of this product.

USER: Before using this product, read this entire manual and save for future reference.

Coussin à Contour Profond JAY^{MD} J2

Manuel d'Instructions

INFORMATIONS IMPORTANTES DESTINÉES AU CONSOMMATEUR

AVIS: Ce manuel contient des instructions importantes qui doivent être communiquées à l'utilisateur de ce produit. Prière de ne pas le retirer avant livraison.

FOURNISSEUR: Ce manuel doit être remis à l'utilisateur de ce produit.

UTILISATEUR: Avant d'utiliser ce produit, lisez entièrement ce manuel et conservez-le pour référence ultérieure.



A. CHOISISSEZ LE BON COUSSIN

Sunrise Medical recommande de consulter un clinicien, médecin ou thérapeute expérimenté dans le réglage de l'assise et de la position avant de déterminer si l'un ou l'autre des coussins JAY est adapté à vos besoins. Les coussins ne doivent être installés que par un fournisseur agréé Sunrise Medical.

B. VÉRIFIEZ LA PRESSION EN POSITION ASSISE RÉGULIÈREMENT

Votre coussin JAY a été conçu pour garantir tant le confort de l'assise que le soutien de la posture. Les utilisateurs doivent quotidiennement examiner leur peau pour déceler toute rougeur, laquelle est le premier signe clinique de lésions cutanées. En cas d'apparition de rougeurs cutanées, cessez immédiatement d'utiliser le coussin et consultez votre médecin ou thérapeute.

C. CONSULTEZ CE MANUEL RÉGULIÈREMENT

Avant d'utiliser ce coussin, nous vous conseillons, ainsi qu'à toute personne susceptible de vous aider, de lire entièrement ce Manuel et d'en suivre toutes les instructions. Consultez régulièrement les Avertissements jusqu'à ce que vous les observiez automatiquement.

D. AVERTISSEMENTS

Le terme « AVERTISSEMENT » indique un risque ou une pratique dangereuse pouvant vous causer, ainsi qu'à d'autres personnes, des blessures graves, voire mortelles.

E. AVERTISSEMENTS D'ORDRE GÉNÉRAL**⚠ AVERTISSEMENT**

N'installez pas cet équipement avant d'avoir lu et compris ce manuel. Si vous ne comprenez pas les Avertissements, les Précautions ou les Instructions, communiquez avec un clinicien qualifié ou un fournisseur. Si vous ne respectez pas cette consigne, vous risquez de vous blesser ou d'endommager l'appareil.

⚠ AVERTISSEMENT

Les crochets et les boucles de la bande VelcroMD auto-agrippante ne doivent pas entrer en contact prolongé avec l'humidité. Cela risque de détériorer leur qualité adhésive, ce qui empêchera la bande VelcroMD de maintenir le coussin en place.

⚠ AVERTISSEMENT

Installer un coussin sur un fauteuil roulant risque d'en affecter le centre de gravité. Si le coussin est installé incorrectement, il risque de faire basculer le fauteuil vers l'arrière et de causer des blessures. Après avoir installé un coussin, évaluez toujours la nécessité d'installer des dispositifs anti-basculement ou des supports pour adaptateur d'essieu pour amputé afin d'améliorer la stabilité du fauteuil roulant.

⚠ AVERTISSEMENT

Avant de vous asseoir pendant une période prolongée sur le coussin, veillez à l'essayer quelques heures à la fois; un clinicien doit également examiner votre peau pour s'assurer de toute absence de rougeurs. Vous devez régulièrement surveiller l'apparition de rougeurs. L'indicateur clinique d'une lésion cutanée est la rougeur de la peau. En cas d'apparition de rougeurs cutanées, cessez immédiatement d'utiliser le coussin et consultez votre médecin ou thérapeute.

⚠ AVERTISSEMENT

Votre coussin JAY est destiné à réduire la pression. Cependant, aucun coussin ne peut éliminer complètement la pression de la position assise ou empêcher l'apparition d'escarres. Le coussin JAY ne remplace pas les soins de la peau, un régime alimentaire approprié, une bonne hygiène et un soulagement régulier des points de pression. Veillez à ce que la bande VelcroMD adhère bien et puisse maintenir le coussin en place.

⚠ AVERTISSEMENT

Évitez l'utilisation du coussin sur un revêtement de siège trop distendu. Ce type de revêtement n'offre pas un support adéquat pour le coussin et peut résulter en une position incorrecte. Remplacez le revêtement distendu ou achetez l'Insert de Siège Solide à Contour Profond J2 ou commandez le Coussin à Contour Profond J2 avec le Siège à Chute Solide. L'Option de Siège à Chute Solide est fixée au coussin pour une conception d'un seul morceau qui remplace le revêtement de siège de votre fauteuil.

⚠ AVERTISSEMENT

Évitez d'utiliser un revêtement de dossier trop distendu. Ce type de revêtement n'offre pas un support adéquat pour le corps et peut résulter en une position incorrecte. Remplacez le revêtement distendu du dossier ou achetez un support de dossier adapté parmi les produits Sunrise. Communiquez avec un fournisseur agréé pour obtenir une démonstration gratuite de ces produits.

F. PROTECTION DE VOTRE COUSSIN**⚠ AVERTISSEMENT**

Évitez en tout temps l'entrée en contact de votre coussin avec des objets acérés, une chaleur excessive ou des flammes nues, et l'exposition prolongée à des conditions environnementales comme des températures glaciales ou la lumière directe du soleil.

Ne laissez pas le coussin à l'extérieur pendant la nuit à une température inférieure à 5 °C (40 °F). Le coussin doit être remis à température ambiante avant utilisation. S'asseoir sur des surfaces extrêmement froides ou chaudes peut entraîner des lésions cutanées.

G. OBSTRUCTIONS**⚠ AVERTISSEMENT**

Assurez-vous qu'il n'y a pas d'obstructions entre l'utilisateur et le coussin. Les obstructions réduiront l'efficacité du produit ou occasionneront des points de pression additionnels pour l'utilisateur.

H. ORIENTATION DE LA HOUSSE**⚠ AVERTISSEMENT**

Le produit doit être utilisé avec la housse du coussin tournée vers le haut. Si la housse n'est pas utilisée correctement, elle risque de réduire ou même d'annuler les bienfaits apportés par le coussin et d'augmenter le risque de lésions de la peau et d'autres tissus mous.

COUSSIN À CONTOUR PROFOND JAY^{MD} J2

Le coussin à Contour Profond J2 a été développé pour les cliniciens pour utilisation avec des clients qui présentent un risque extrêmement élevé de rupture cutanée. Conçu pour une protection et une stabilité supérieures de la peau, le Coussin à Contour Profond J2 est l'alternative exempte d'entretien que vous attendiez.

Composants du Coussin J2



INSTALLATION, AJUSTEMENT ET ENTRETIEN

AJUSTEMENT DU COUSSIN À CONTOUR PROFOND J2

1. Installation initiale du coussin sans l'utilisateur en position assise

Choisissez le coussin qui correspond à la largeur de votre bassin lorsque vous êtes en position assise. La longueur du coussin doit s'étendre jusqu'à 2,5 à 5 cm (1 à 2 po) à partir de l'arrière des genoux. Placez le coussin à l'arrière du fauteuil en positionnant les étiquettes d'identification et le coussin en gel fluide vers l'arrière. Lorsque le coussin est bien ajusté, les hanches doivent être au fond du fauteuil. Les ischions (os fessiers) doivent être centrés sur le coussinet en Gel Fluide JAY FlowMC à l'endroit du contour d'assise.

Un réglage adéquat des repose-pieds peut améliorer le confort et aider à diminuer les pressions de pointe dues aux positions assises. Ajustez les repose-pieds de manière à ce que vos jambes reposent fermement mais confortablement sur le coussin.

Remarque : N'utilisez jamais la largeur du fauteuil comme repère pour déterminer la largeur appropriée du coussin. Un mauvais ajustement peut nuire à l'efficacité d'un coussin de distribution de pression et à son maintien du corps.

Vérifiez l'aplatissement sur le Coussin J2

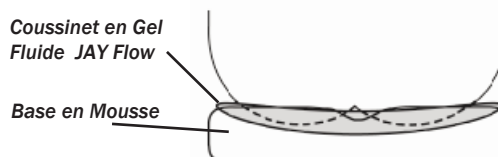
Un aplatissement sur un Coussin J2 se produit lorsque vous déplacez le fluide de sous les os fessiers, vous laissant assis sur la base en mousse. Cela se produit parfois avec les individus très minces, les personnes utilisant des fauteuils roulants à inclinaison arrière, les personnes qui ont le dos voûté lorsqu'assis ou qui utilisent un coussin trop large.

Lorsqu'un aplatissement se produit, une pression accrue comprime les os fessiers et le coccyx augmentant les risques d'une rupture cutanée.

Pour vérifier la présence d'un aplatissement, asseyez-vous sur le coussin sans la housse pendant au moins deux minutes. Transférez-vous du coussin (ou demandez de l'aide pour un tel transfert), en essayant de ne pas bouger le fluide sous vous. Poussez sur les creux du coussinet où vos os fessiers et votre coccyx se trouvaient. Vous devez pousser sur une épaisseur de fluide d'au moins 1 cm (1/2 po) avant de sentir la base ferme du coussin en-dessous.

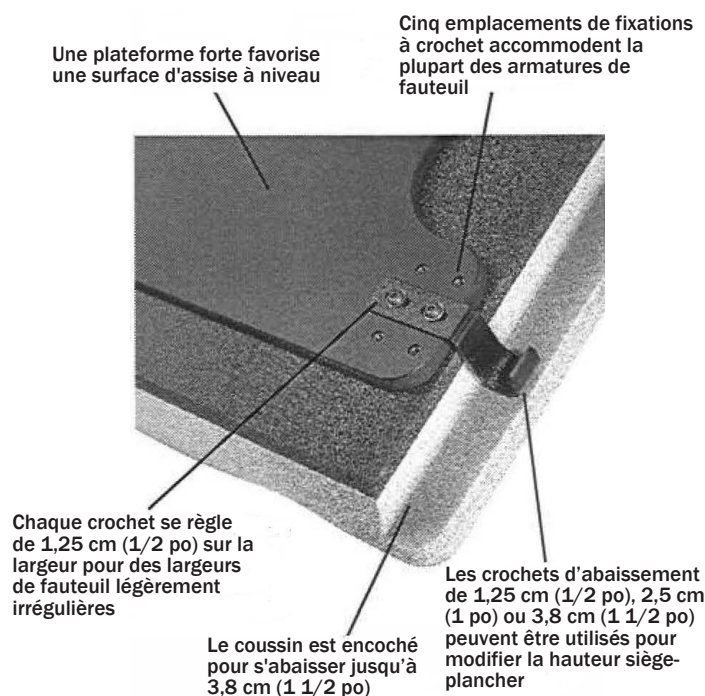
Si le coussin est positionné correctement et les repose-pieds correctement réglés, et s'il n'y a pas au moins 1 cm (1/2 po) de fluide, le coussin est aplati et ne doit pas être utilisé. Cessez d'utiliser le coussin s'il est aplati et consultez votre clinicien. L'aplatissement se résout habituellement en utilisant des coussinets de fluide supplémentaire (no pièce F 119). Communiquez avec votre fournisseur local autorisé pour vérifier si cela vous convient.

Remarque : Nous recommandons d'utiliser des Inserts de Siège Solide à Contour Profond JAY 2 ou de commander le Coussin à Contour Profond J2 avec le Siège à Chute Solide. L'Option de Siège à Chute Solide est fixée au coussin comme une conception monobloc qui remplace le revêtement de siège de votre fauteuil roulant. Elle optimisera les performances de votre Coussin à Contour Profond J2 et aidera à fournir un meilleur positionnement et à augmenter la durée de vie du coussin.



ASSEMBLAGE ET RÉGLAGE DU SIÈGE À CHUTE SOLIDE

Cinq paires de trous E/S sont situées au bas du Siège à Chute Solide de chaque côté de la plate-forme. Chaque crochet a deux fentes qui s'alignent avec une paire de trous. Situez où les crochets seraient les mieux placés sur la plate-forme, afin que l'installation n'interfère pas avec la quincaillerie sur l'armature du siège du fauteuil roulant. Il y a quatre crochets. Chaque côté exige l'installation de deux crochets. Alignez les fentes dans les crochets avec une paire de trous. Glissez une rondelle dans un boulon et serrez le boulon dans la fente du crochet sur le Siège à Chute Solide. Chaque crochet exige deux boulons. Répétez pour les quatre crochets. Laissez tous les crochets légèrement lâches. Placez le siège solide sur le cadre à rail du siège et réglez la largeur. Serrez autant de boulons de crochet que possible avant d'enlever le Siège à Chute Solide du fauteuil (cela conservera leur alignement). Enlevez le Siège à Chute Solide et terminez de serrer les boulons pour fixer en place les crochets.



FIXER LES DISPOSITIFS DE RETENUE ET LES BUTÉES DE CROCHET

Vous devriez à présent être prêt pour poser la quincaillerie de fixation sur les rails de votre fauteuil.

Fermez les deux dispositifs de retenue pour crochets vers l'arrière des rails de siège du fauteuil.

Les crochets arrière glisseront sous ceux-ci comme illustré ci-dessous. Ils empêcheront votre coussin de sortir de manière accidentelle du fauteuil. Fermez la butée de crochet vers l'avant des rails de siège du fauteuil. Les crochets avant sont à l'arrière de la butée pour empêcher votre coussin de glisser vers l'avant.

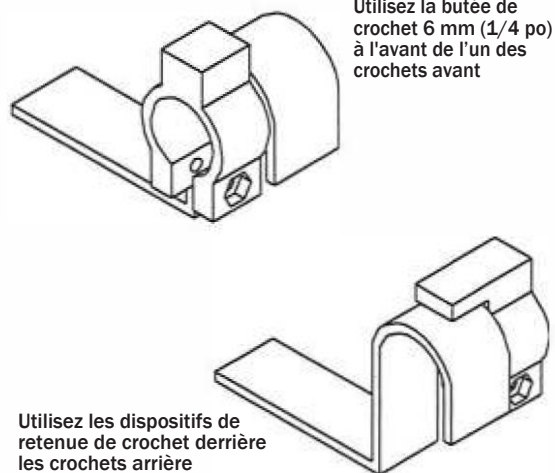
Les dispositifs de retenue et les butées doivent être bien fixés aux rails de siège du fauteuil à l'aide des écrous et boulons fournis. Pointez les têtes des boulons vers le côté extérieur du fauteuil.

Remarque : Il y a 3 longueurs de boulons 8-32 d'inclus. L'utilisation d'un boulon plus long que requis peut nuire lors de l'installation et du retrait du siège.

Utilisation :

- Le boulon 8-32 x 19 mm (3/4 po) lorsque la butée ou les dispositifs de fixation sont montés sur un tube de 22 mm (7/8 po).
- Le boulon 8-32 x 25 mm (1 po) lorsque la butée ou les dispositifs de fixation sont montés sur un tube de 25 mm de diamètre (1 po).
- Le boulon 8-32 x 32 mm (1 1/4 po) lorsque la butée ou les dispositifs de fixation sont montés sur un insert fileté « écrou rivé » sur un tube d'un diamètre de 32 mm (1 1/4 po). Pour installer le coussin, glissez simplement les crochets arrière sous les dispositifs de retenue des crochets arrière et rabattez le crochet avant derrière la butée de crochet.

Remarque : Si les dispositifs de retenue ou la butée de crochet ne peuvent être installés à cause d'une interférence avec la quincaillerie sur votre fauteuil, vous pourriez devoir choisir un autre emplacement pour vos supports et crochets.



RÉGLAGE DE LA LONGUEUR

Pour une longueur de siège plus grande, positionnez le Siège à Chute Solide 2 cm (1 po) vers l'avant des tiges verticales arrière de votre fauteuil. Si les crochets avant sont situés à moins de 2 cm (1 po) de l'extrémité avant des rails de siège, alors enlevez les crochets avant et déplacez-les vers l'autre emplacement directement derrière (voir l'illustration).

Conseil pour le réglage :

Une fois que vous avez déterminé le positionnement de votre Siège à Chute Solide sur votre fauteuil, vous pourriez trouver que les crochets nuisent à la quincaillerie particulière de votre fauteuil. Si c'est le cas, repositionnez ces crochets de quincaillerie particuliers à un autre emplacement .

ENTRETIEN ET NETTOYAGE FACILES

Enlevez la housse et retournez-la. Lavez-la dans la laveuse, à l'eau tiède, et séchez-la dans la sècheuse, à basse température. N'utilisez pas de sècheuses industrielles. Elle ne doit pas être lavée à la vapeur (dans une autoclave). Nettoyez le coussinet en gel fluide en l'essuyant avec de l'eau chaude et séchez à l'aide d'une serviette . Ne l'immergez pas dans l'eau. L'eau peut être absorbée dans la mousse par les événements d'air sur le haut du coussinet. Nettoyez la base en mousse en l'essuyant et séchez-la à l'aide d'une serviette.

Remarque : Lorsque la housse est enlevée du coussin pour nettoyage, inspectez le coussinet en gel fluide et la base en mousse pour tout signe d'usure inhabituelle. Palpez le fluide pour toute inconsistance. Si des inconsistances sont trouvées, pétrissez le coussinet en gel fluide pour lui donner sa consistance originale ou appelez le service à la clientèle de Jay chez Sunrise Medical

RÉASSEMBLAGE DU COUSSIN À CONTOUR PROFOND J2 APRÈS NETTOYAGE

Suivez les instructions de nettoyage et d'entretien comme décrites dans « Entretien et nettoyage faciles », puis réassemblez comme suit après le nettoyage. Fixez le coussinet en gel fluide à la base en mousse. Fixez premièrement les trois bandes VelcroMD arrière, puis les deux bandes VelcroMD avant. Réinstallez la housse avec les étiquettes d'identification du matériau à l'arrière. Si nécessaire, réinstallez les quatre crochets sur le siège à chute solide.

GARANTIE DU COUSSIN À CONTOUR PROFOND JAY J2

Chaque coussin en gel fluide JAY fait l'objet d'un contrôle soigné et de tests pour assurer une performance maximale. Chaque coussin en gel fluide JAY est garanti contre tout défaut de matériaux et de fabrication pendant 24 mois à compter de la date d'achat dans des conditions normales d'utilisation. Si une défaillance matérielle ou mécanique se produisait dans les 24 mois suivant la date d'achat initiale, Sunrise Medical s'engage, à sa discrétion, à réparer ou à remplacer gratuitement le système. Cette garantie ne couvre pas les trous, les déchirures ou les brûlures ainsi que la housse retirable du coussin. Les réclamations et les demandes de réparation doivent être traitées par le fournisseur agréé le plus proche. À l'exception des garanties expresses mentionnées dans le présent manuel, toutes les autres garanties, y compris les garanties implicites de valeur marchande ou d'adaptation à un usage particulier, sont exclues. Aucune garantie ne s'étend au-delà de la présente description. En cas de non-respect des garanties expresses mentionnées, le recours du client se limite à la réparation ou au remplacement du produit. Les dommages causés par le non-respect d'une garantie ne peuvent en aucun cas inclure des dommages indirects ou excéder la valeur des biens non conformes vendus.

Coussinet en Gel Fluide JAY Flow

Consultez un professionnel de santé pour le réglage et l'utilisation corrects, et tenez compte des informations suivantes :

Politique de Remplacement du Coussinet en Gel Fluide

Si un Clinicien, un Professionnel Certifié de la Rééducation ou un Fournisseur Agréé de Sunrise Medical détermine que le volume du gel fluide ne convient pas aux besoins de l'acheteur initial, Sunrise Medical s'engage à remplacer gratuitement le coussinet en gel fluide durant la vie utile du produit sous garantie. Les demandes de remplacement doivent être soumises par un fournisseur agréé de Sunrise Medical.

- Avec le temps, le gel fluide de ce coussin peut perdre du volume.
- La perte de volume dans ce coussin peut se traduire par un aplatissement.
- Tous les mois, durant le nettoyage et l'inspection de routine, vérifiez que ce coussin ne s'aplatit pas (voir les instructions sous « Vérification de l'aplatissement » dans le guide d'utilisation et d'entretien de la garantie) et que le gel fluide est uniforme. S'il est plus ferme par endroit, il suffit de le pétrir pour restaurer sa fermeté d'origine.
- Si le coussin s'aplatit, cessez de l'utiliser et consultez un professionnel de soins de santé. Pour plus de renseignements, communiquez avec le Service à la Clientèle de Sunrise Medical

Les produits livrés par Sunrise Medical Pty. Ltd. en Australie sont accompagnés de la garantie Sunrise ne pouvant être exclue en vertu de la Loi Australienne sur la Consommation. En cas d'une défaillance majeure du produit, vous avez droit à un produit de remplacement ou à un remboursement, et à une indemnisation en cas de tout autre dommage ou perte raisonnablement prévisible. Vous avez également le droit de faire réparer ou remplacer les produits si ceux-ci sont de qualité inacceptable et si la défectuosité ne constitue pas une panne majeure. Les avantages proposés par cette garantie s'ajoutent à vos autres droits et recours prévus par la loi en ce qui concerne les produits auxquels se rapporte la garantie

Inscrivez votre numéro de série ici pour référence ultérieure :
