

AIR INSERT

IMPORTANT CONSUMER INFORMATION

NOTICE: This manual contains important instructions that must be passed on to the user of this product. Please do not remove this manual before delivery to the end user.

SUPPLIER: This manual must be given to the user of this product.

USER: Before using this product, read this entire manual and save for future reference.

Owner's Manual
Supplement

INSERTO DE AIRE

INFORMACIÓN IMPORTANTE PARA EL CONSUMIDOR

AVISO: Este manual contiene instrucciones importantes que deben ser entregadas al usuario de este producto. Por favor no retire este manual antes de la entrega al usuario.

DISTRIBUIDOR: Este manual debe ser entregado al usuario de este producto.

USUARIO: Antes de usar este producto, lea este manual en su totalidad y guárdelo para futura referencia.

Manual
Complementario

INSERTION D'AIR

INFORMATIONS IMPORTANTES DESTINÉES AU CONSOMMATEUR

AVIS : Ce manuel contient des instructions importantes qui doivent être communiquées à l'utilisateur de ce produit. Prière de ne pas le retirer avant livraison.

FOURNISSEUR : Ce manuel doit être remis à l'utilisateur de ce produit.

UTILISATEUR : Avant d'utiliser ce produit, lisez entièrement ce manuel et conservez-le pour référence ultérieure.

Supplément au manuel
de l'utilisateur



NOTICE: This owner's manual is a supplement to the JAY Fusion cushion Owner's Manual. The JAY Fusion cushion owner's manual should be referenced in conjunction with this supplement prior to the installation, set-up or use of this product.

NOTICE: This supplement contains important instructions that must be passed on to the user of this product. Please do not remove this supplement before delivery to the end-user.

SUPPLIER: This supplement must be given to the user of this product

USER: Before using this product, read this supplement, and the JAY Fusion cushion manual. Save these instructions for future reference.

GENERAL WARNINGS

WARNING

CHECK INFLATION AT LEAST ONCE A DAY!

WARNING

UNDER-INFLATION: DO NOT use an under-inflated cushion. Using a cushion that is under-inflated reduces or eliminates the cushion's benefits, increasing risk to the skin and other soft tissue. If your cushion appears under-inflated or does not appear to be holding air, check to make sure that all valve(s) are closed by turning the inflation valve(s) clockwise. If your cushion is still not holding air, contact your clinical caregiver and/or supplier immediately.

WARNING

OVER-INFLATION: DO NOT use an over-inflated cushion. Using an over-inflated cushion will not allow you to sink into the cushion and will reduce or eliminate the cushion's benefits increasing risk to skin and other soft tissue.

WARNING

CUSHION AND COVER ORIENTATION: Product must be used with the air cells facing up.

WARNING

PRESSURE: Changes in altitude may require adjustment to your cushion. Check your cushion when changing altitude of 1,000 feet (300 meters) or greater.

WARNING

PUNCTURE: Keep your cushion away from sharp objects which may puncture the air cells and cause it to deflate.

WARNING

HEAT/FLAME: DO NOT expose your cushion to high heat, open flames, or hot ashes.

WARNING

CLIMATE: If a cushion has been in temperatures less than 32°F / 0°C and experiences unusual stiffness, allow the cushion to warm to room temperature, then open air valve. Roll up the cushion and then unroll it until the neoprene is soft and pliable again. Then repeat proper adjustment instructions before using.

WARNING

DO NOT use on top or in conjunction with another cushioning product other than the JAY Fusion Cushion with which it was supplied.

WARNING

OBSTRUCTIONS: DO NOT place any obstructions between the user and the cushion, as it will reduce product effectiveness.

WARNING

HANDLING: DO NOT use any valve as a handle for carrying or pulling the cushion.

WARNING

PRODUCT USE: DO NOT use your cushion as a water floatation device (e.g., a Life Preserver).

CAUTION- SOLUTIONS: DO NOT ALLOW OIL-BASED LOTIONS OR LANOLIN TO COME IN CONTACT WITH YOUR CUSHION, AS THEY MAY DEGRADE THE MATERIAL.

CAUTION- OZONE GENERATORS: THE US ENVIRONMENTAL PROTECTION AGENCY, HEALTH CANADA AND OTHER GOVERNMENT AGENCIES HAVE ISSUED WARNINGS REGARDING THE USE OF OZONE GENERATORS. PROLONGED EXPOSURE TO OZONE WILL DEGRADE RUBBER, FABRICS AND OTHER MATERIALS USED IN THE MANUFACTURE OF THE AIR INSERT PRODUCT AND MAY AFFECT THE PERFORMANCE OF THE PRODUCT AND VOID THE PRODUCT WARRANTY.

CAUTION- DO NOT USE A PUMP OR REPAIR KIT OTHER THAN THOSE PROVIDED BY SUNRISE MEDICAL. DOING SO MAY VOID YOUR PRODUCT'S WARRANTY.

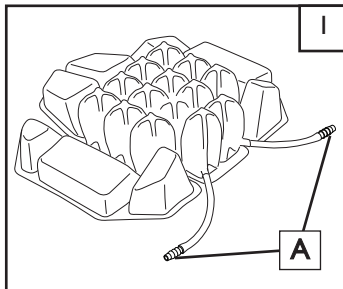
NOTICE: Please reference the JAY Fusion Cushion Owner's Manual for set-up and adjustment of the cushion. The following instructions pertain to the installation and adjustment of the Air Insert only.

A. INSTALLATION OF THE INFLATION TUBE(S)

Some configurations of the JAY Fusion Cushion with the Air Insert come with the inflation tube(s) un-installed. If this is the case, you will have received the following parts:

1. Air Insert.
2. 1 or 2 lengths of tube with one end terminated by an inflation valve, the other end open.

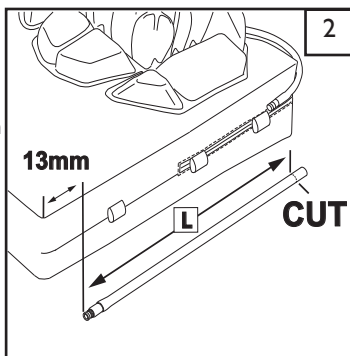
A second tube will be included if the air insert was a dual chamber insert. A coupling connector (A) will have already been installed in the truncated inflation tubes.



- Figure 1 shows a Dual chambered Air Insert ready to have the tube length attached by following the steps below.

To install the inflation tube(s)

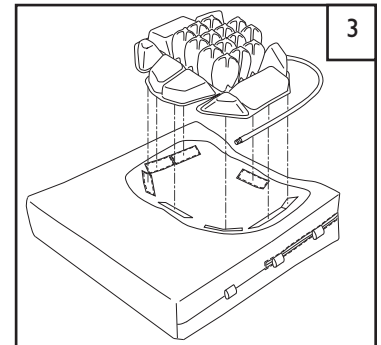
1. Install the Air Insert into the JAY Fusion foam base with inner cover as outlined in the instructions below.
2. Measure the length of inflation tube required for your specific cushion size (Figure 2). Do this by threading the tube through the loops on the inner cover to the front edge. Measure about 1/2" (13mm) from the front edge of the cushion, and run it the distance (L) until the open end matches up with the tube valve coming out of the Insert.
3. Cut the length of inflation tube as measured using a sharp pair of scissors.
4. Insert the coupling connector into the cut length of each inflation tube,



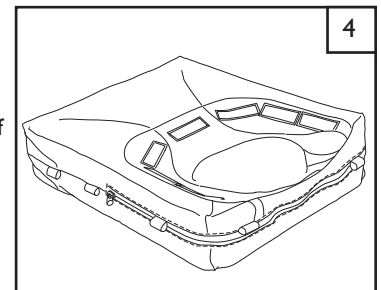
B. INSTALLATION OF THE AIR INSERT INTO CUSHION

1. With the outer cover removed from the JAY Fusion foam base, install the Air Insert into the Well. Ensure that the Air Insert is aligned with the well and that the inflation tubes are to the rear of the cushion. (See Figure 3).

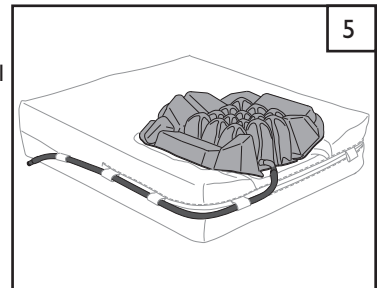
Ensure the Velcro attached to the Air Insert is aligned with the matching Velcro adhered to the inner cover.



2. With the Air Insert installed, the inflation tube(s) need to be secured to the inner cover. Your Air Insert may have one or two inflation tubes depending if it is a single chamber insert or a dual chamber insert. Use the fabric loops on either side of the inner cover to route the inflation tube(s). (Figures 4 and 5)



3. Thread the inflation tube through the loops starting at the rear of the inner cover and inserting the tube through each loop, working your way around to the front of the product.



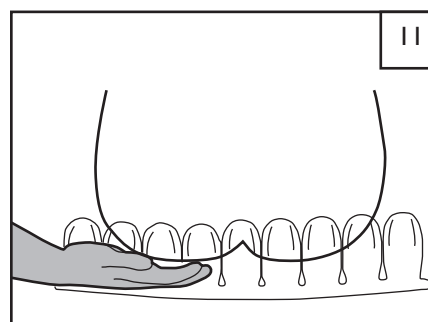
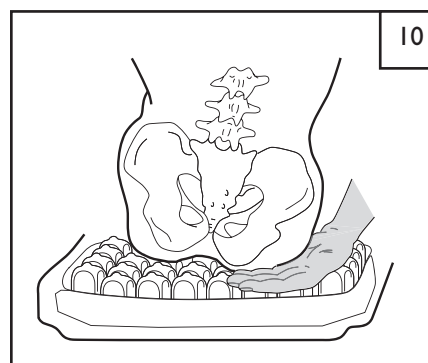
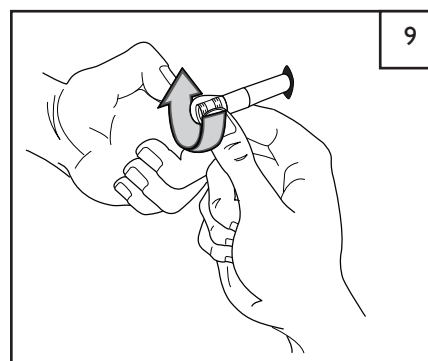
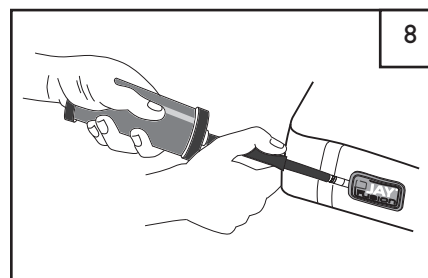
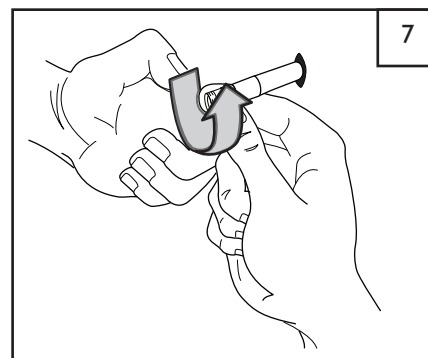
4. If the Air Insert is dual chambered, do the same for the second inflation tube on the opposite side.
5. Re-install the outer cover by sliding it over the base and inner cover assembly. It is best to hold the inflation valve in place with your hand as you slide the cover over the assembly.

6. Insert the valve through the slot in the outer cover behind the JAY Fusion logo. The valve is intended to protrude through the slot and be secured by the side band on the JAY Fusion cover. (Figure 6)



A. ADJUSTMENT

1. Open the air valve by twisting it counterclockwise. If your cushion comes with two valves, open both valves using the same technique. (Figure 7)
2. Attach the rubber hose on the Air Insert Pump to the end of the valve. Inflate the cushion insert with the pump until just before the cushion begins to arch. (Figure 8)
3. Remove the pump hose from the valve and close it by twisting it clockwise. (Figure 9)
4. Sit on the JAY Fusion Cushion, with the Air Insert installed, in your normal sitting position with armrests and footrests properly positioned.
5. Slide your hand beneath your buttocks to locate your lowest bony prominence, usually the ischial tuberosities. If necessary, your clinician or caregiver should assist you. (Figure 10)
6. Leaving one hand in place beneath the lowest bony prominence, use the other hand to open the valve. As air is released from the cushion insert, you will begin to sink into it. When your fingertips touch its base, close the valve. Approximately 1/2" (13 mm) of air should be between your lowest bony prominence and the base of the cushion. (Figure 11)



B. IMPORTANT ADJUSTMENT NOTES

- Your JAY Fusion Cushion with Air Insert may have been ordered with two valves, one on each side of the cushion. If you have two valves, steps 1-6 above should be repeated for each valve. Two valves indicate that your cushion insert is divided in the middle. You, your clinician or caregiver should locate the lowest bony prominence on the same side as the air valve used to adjust the cushion.
- You, and your clinicians or caregivers should check the cushion insert daily to ensure that you have not bottomed out (ie. lost air and are now sitting on the base of the cushion). If you have bottomed out, the protective value of the cushion insert is lost. You should also check to be sure the cushion insert is not over-filled with air. The cushion insert will work best with approximately 1/2" (13mm) of air between you and its base.
- The Air Insert may be affected by changes in altitude. You may have to repeat steps 1-6 above as you change altitudes.

A. CLEANING AND DISINFECTING YOUR AIR INSERT

Cleaning and disinfecting are two separate processes. Cleaning must precede disinfection.

CLEANING THE AIR INSERT

To clean the Air Insert, gently pull it out of the recess in the foam base, taking care to gently pull the valve through the foam. Deflate the cushion, close the valve(s) and place in a large sink. Gently scrub the air cells and the spaces between them with a soft plastic bristle brush, sponge or wash-cloth. Liquid dishwashing or laundry detergent or other general-purpose cleaning product is suggested. For institutional cleaning, a general housekeeping disinfectant cleaner may be used.

DISINFECTING THE AIR INSERT

To disinfect the Air Insert, use a germi-cidal product that meets infection control needs. A disinfectant with tuberculocidal properties is recommended. Follow the manufacturer's dilution directions. For home disinfection, use solutions of approximately 1/2 cup liquid household bleach per quart of water (125 ml bleach to 1 liter of water). Keep the clean cushion wet with bleach solution for 10 minutes. Rinse thoroughly and dry.

WARNING

Disinfectants are not effective on porous surfaces, such as foam, if the cushion becomes soiled or contaminated. DO NOT use with multiple users.

CAUTION— DO NOT USE OIL-BASED LOTIONS OR LANOLIN ON YOUR CUSHION AS THEY MAY COMPROMISE THE INTEGRITY OF THE NEOPRENE RUBBER.

B. REPAIRS

Each JAY Fusion Cushion with a Air Insert is shipped complete with a repair kit and instructions for minor repairs. The following information can be used if repair instructions have been lost or misplaced.

IF A LEAK OCCURS:

1. Place your cushion cells down and over-inflate until all four corners touch.
2. Immerse the over-inflated cushion in water to locate the leak.
3. Once the leak has been located, mark the leak by inserting a toothpick into the hole.
4. Allow the cushion to dry thoroughly.
5. Remove the toothpick, and clean the area around the hole with the alcohol wipe provided. Let the surface dry.
6. Peel the backing from the patch provided, and centering the patch, place it over the hole.
7. Press the patch down firmly until a good seal is achieved.
8. The cushion is now ready for use. Adjust the cushion for proper inflation following the instructions in this manual.

Although patches do not change the performance of the cushion, they should be monitored periodically to ensure effectiveness in addressing the leak. If the patch is not successful in addressing the problem, or if more extensive damage is present, please contact your supplier immediately.

Replacing Valves

1. Firmly grip the rubber valve stem and remove the old inflation valve by using pliers.

CAUTION— DO NOT REMOVE AN INFLATION VALVE BY HOLDING THE CUSHION AND PULLING THE VALVE, DOING SO MAY TEAR THE CUSHION.

2. Moisten the ribbed end of the replacement valve and insert it into the valve stem until the rubber is snug to the body of the valve.