

VISCO BACK

OPERATION MANUAL



! WARNING: The user **SHOULD NOT** be seated in the wheelchair until the installation of the back support is complete. Follow instructions in steps 1 through 3 before the user transfers to the wheelchair.

COMPASS® Hardware (2 Point)

- 1 Loosen the two clamp bolts (A) on both sides, using the 5mm hex key. Place and then tighten the clamps onto the wheelchair canes.

Suggestions: Make sure the clamps are the same height on the wheelchair canes and that they sit square to the wheelchair. Prior to installation, Make sure that the cane clamp locking screws (J) are flush against the inner clamp surface.

- 2 Slightly loosen the bolts (B) on both sides, using the 5mm hex key. Slide the brackets in and out until the wheelchair canes are relaxed. If further adjustments are needed that the bracket cannot accommodate, follow step 2a for Quick Release or 2b for Fixed.

2a: COMPASS 2-Point Quick Release: Release the toggle (C) and adjust the clamp angles until the wheelchair canes are relaxed. Then lower the toggle to engage the locking mechanism.

2b: COMPASS Fixed: Loosen (but do not remove) the bolts (D) with the 5mm hex key and an 11mm open-end wrench around cone (E). Adjust the clamp angles until the wheelchair canes are relaxed.

- 3 When the hardware is at the correct position and the wheelchair canes relaxed, securely tighten the bolts (B) on both of the sides. If the bolts (D) have been loosened, they should be tightened to between 90-110 in-lbs., using the 5 mm hex key and placing the 11mm open-end wrench around the cone (E).

PARTS INCLUDED

All COMPASS® 4 Styles:

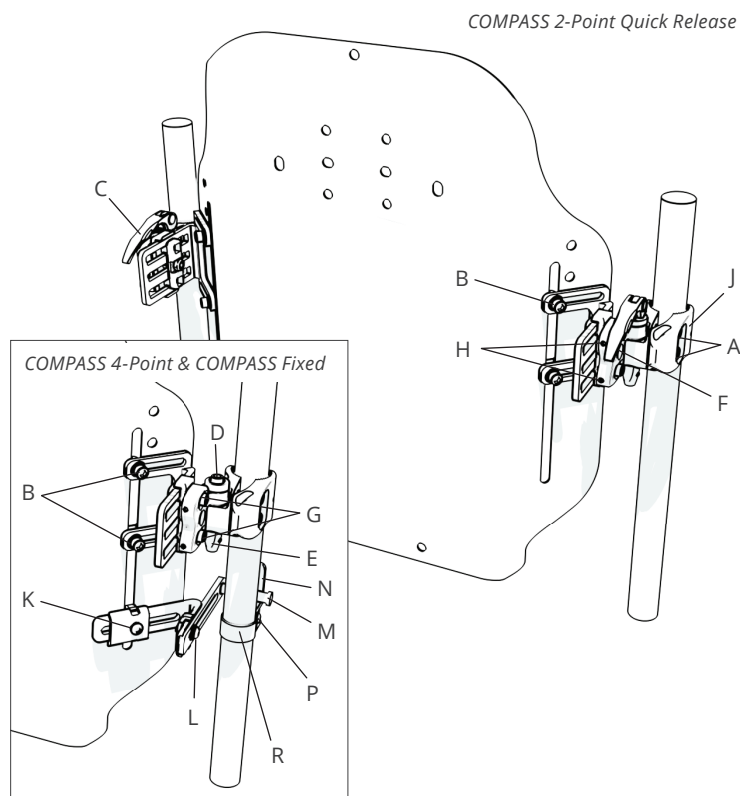
Complete VISCO BACK® Assembly with mounting hardware
5mm hex key, 3mm hex key, 2mm hex key

4 Point Hardware:

45° assembly (includes straps for larger wheelchair canes)
1/8" hex key, 4mm hex key

PARTS NEEDED

(Fixed):11mm open-end wrench



! IMPORTANT: The user may transfer to the wheelchair **ONLY** after the bolts have been securely tightened as described in Step 3.

- 4 **Height Adjustment:** If height adjustment is needed, slightly loosen bolts (A) or (B) on both sides, using the 5mm hex key. The back support can slide up and down, using either the slot on the back support shell or on the wheelchair canes. Tighten all four bolts (A) or (B) at the desired height.
- 5 **Depth Adjustment:** If depth adjustment is needed, loosen bolts (F) on both sides, using the 5mm hex key. The back support can slide forward or backwards up to 2 inches total. Tighten both bolts (F) at the desired depth.

Suggestion: If additional depth adjustment is needed, COMPASS can be used in alternate configurations, including moving the cane clamp or the complete depth adjustment bracket with the cane clamp assembly to the opposite side of the wheelchair. See "Alternate Configurations" on the next page.

- 6 **Recline Adjustment:**, using th 5mm hex key, loosen the top and bottom bolts (G) on both sides until the back support can be tilted. Adjust, then tighten all four bolts (G).

! IMPORTANT: When installation and adjustments are complete, all bolts should be tightened to a minimum of 85 in-lbs.

! WARNING: The locking screws (H) and (J) should be tightened only until contact is made. Over-tightening the locking screws (H) may cause unwanted changes in the recline position.

- 7 Tighten locking screws (H) on both sides, using the 3mm hex key to lock angle rotation. These make contact with the recline bolts (G) and prevent angle rotation, but may also be used for minor angle adjustments if the bolts (G) are loose.
- 8 **Locking the clamp:** To make contact with the wheelchair canes and lock the clamp in its final position, tighten the locking screw (J) on both sides, using the 3mm hex key.

COMPASS® Hardware (4 Point)

Note: If an alternate configuration of the COMPASS 2 Point Hardware was used, COMPASS 4 Point hardware may need to be reconfigured.

- 1 Adjust the mounting brackets: Slightly loosen the bolts (K) and (L) on both sides, using the 4mm hex key. Adjust the hardware so that the mounting pegs (M) are resting against the wheelchair canes, as shown. Securely tighten the bolts (K) and (L).
- 2 Attach the cane mounts (N) to secure each mounting peg against the wheelchair cane. Remove the screw (P), using the 1/8" hex key to release one side of the cane strap (R).

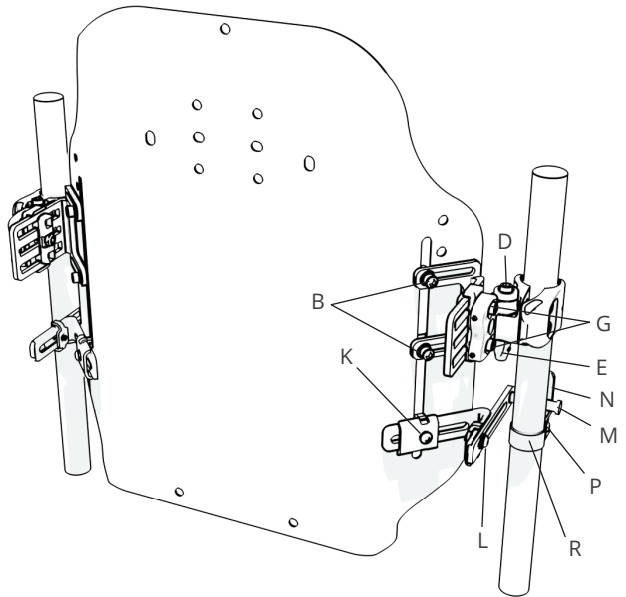
Wheelchair Cane Size and Straps:

3/8" and 1" diameter canes: Use the pre-attached short straps. For 3/4" canes, use the inner holes on the straps.

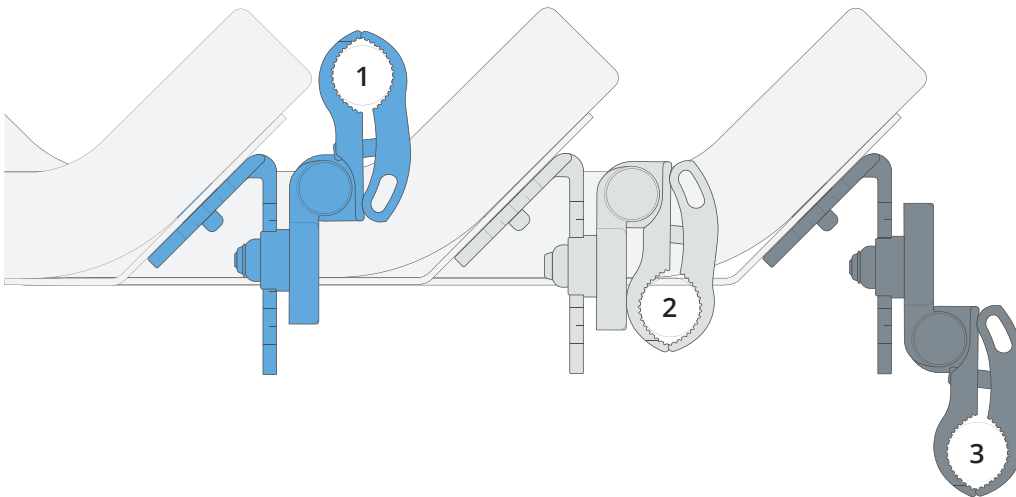
1 1/8" and 1 1/4" diameter canes: Replace the short straps with the longer straps provided in the kit.

- 3 Place the cane mounts (N) just below the mounting pegs (M), and wrap the strap (R) around the wheelchair cane. Replace the screws (P) and tighten. Complete for both sides.
- 4 To fully secure the straps: Tighten the screws located on the front of the cane mounts (not shown).

COMPASS 4-Point & COMPASS Fixed



Alternate Configurations



- 1 Standard Configuration (as shipped)
- 2 Flipped Cane Clamp
- 3 Flipped Cane Clamp with Depth Bracket

Each configuration provides 2" of depth adjustment.