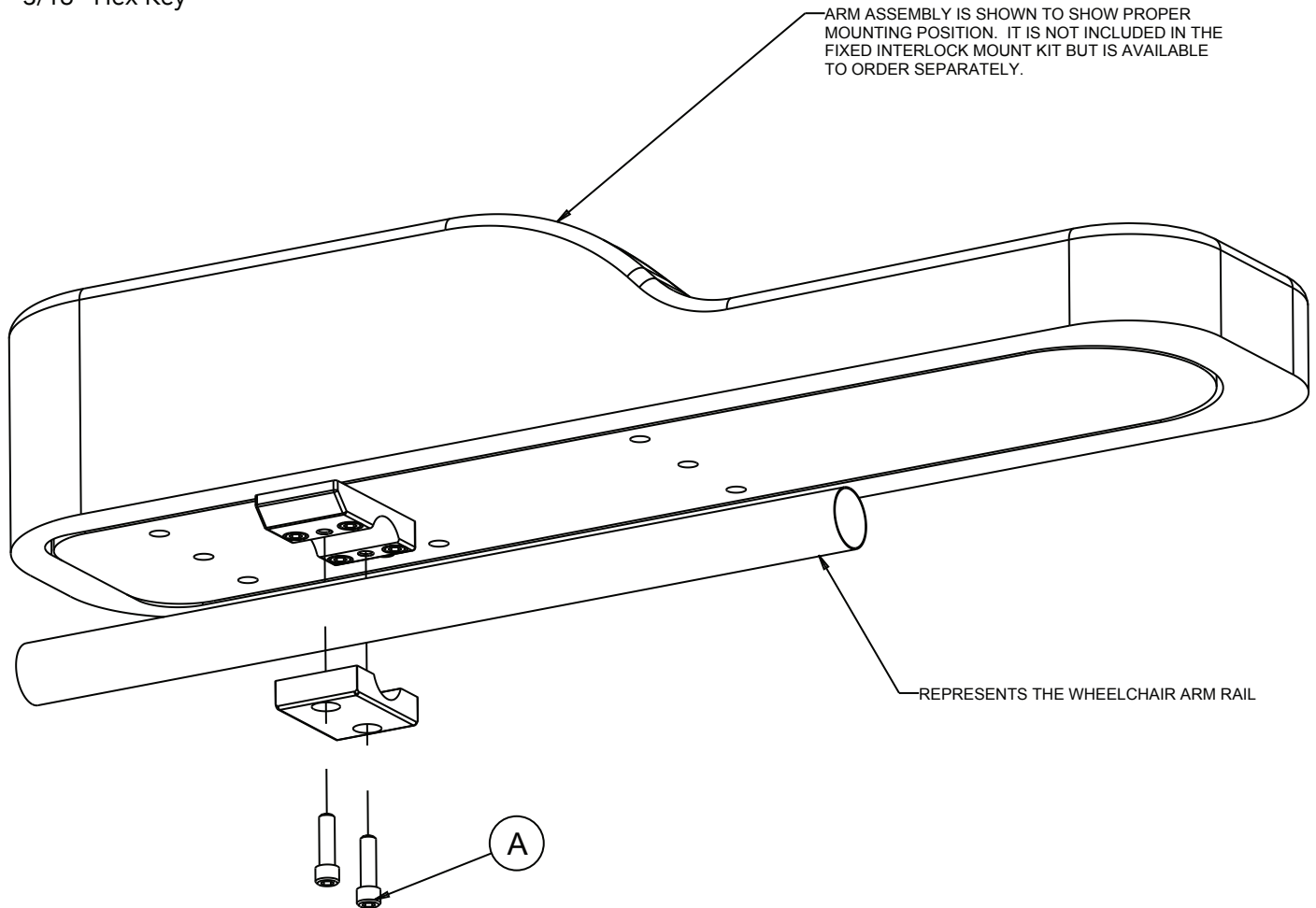


FIXED INTERLOCK MOUNT

Comfort Arm®, Smart Arm, Molded Arm, Flip-Up Lap Tray, Trunk Support Firm

Parts Included:

- 1 - Fixed Interlock Hardware Assembly
- 1 - 3/16" Hex Key



- 1** Remove existing armrest from wheelchair.
- 2** Remove the two screws (A) from the bottom of the clamp using the 3/16" Hex Key provided and position the assembly around the wheelchair arm rail.
- 3** Securely fasten the screws (A) as shown to secure the arm rest in place.