



# 8' Standard Bench without Back

For Part Numbers: 601-682,  
601-686, 601-684 and 601-688

### Component Details

Item No.	Part Number	Description	QTY
1	*Style Index	Bench Plank	1
2	*Frame Index	Bench Leg	2
3	126-704	3/8 x 1 1/4" Button Head Bolt	4
4	316-601	3/8 Washer	4
5	416-505	7/32 Allen	1
6	516-400	LocTite	1

### Additional Components for Portable Frame

7*	613-614	Portable Brace*	2
8*	126-701	3/8 x 1 1/4" Button Head Bolt	1
9*	316-601	3/8" Washer	6
10*	126-602	3/8" Nylon Lock Nut	3
12*	126-704	3/8 x 3" Button head bolt	2

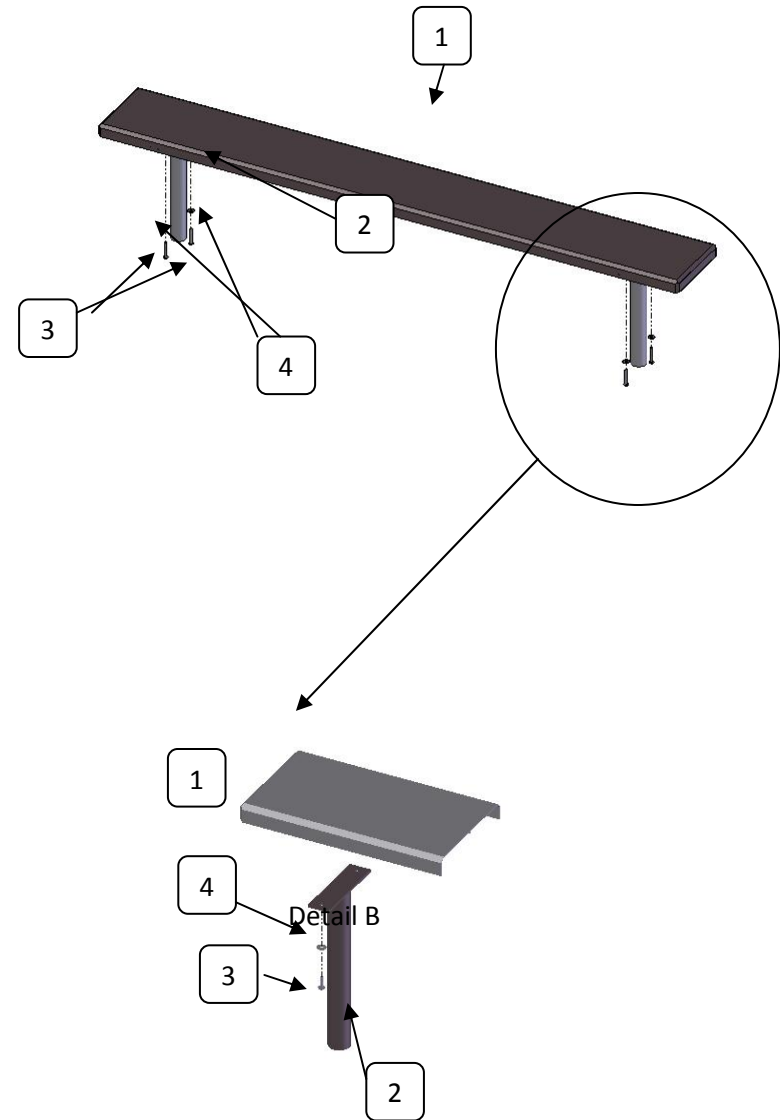
### Additional Components for Surface Mount

11**	531-062	3/8 Concrete Anchor	8
------	---------	---------------------	---

\*Only required on units that have a portable frame.

\*\*Only Required on Surface on units that have a surface mount frame

**Note:** Refer to the frame index and style index for part identification and component specific instructions.





## 8' Standard Bench without Back

For Part Numbers: 601-682,  
601-686, 601-684 and 601-688

### Important

- Please keep a copy of these instructions in your files. There is important replacement part information in them that will assist you in the event a part is ever needed.

### Assembly Information

- Read all assembly instruction before starting assembly.
- Verify that all parts were received by comparing the parts received to the component list on page one.
- If your product mounts to something (surface mount, in ground or wall mount) you will assemble the entire product before drilling holes or mounting frame in order to ensure proper layout.
- CONTACT YOUR DISTRIBUTOR ABOUT ANY PARTS YOU ARE MISSING. You must report missing parts within 10 days of delivery.
- Hand-tighten all bolts during the initial assembly (unless specifically told to tighten completely in the instructions). Once the unit is fully assembled and square you should completely tighten them.
- Other than when a specific step in the assembly instructions specifies "to not apply Loctite, we recommend applying a small amount to all assembly bolts.

### General Maintenance

- It is recommended that you inspect the product monthly for loose bolts and broken parts. If replacement parts are needed please refer to these instructions for part numbers and descriptions then call your distributor to order replacements.

### Assembly Instructions

**NOTE: Only assembly your bench at this time. After it is assembled you may refer to the frame index so you can identify your frame type and then locate the specific mounting instructions for that frame.**

1. Attach the Bench Plank (1) to one of the Bench Legs (2) by inserting two 3/8" x 1 1/4" Button Head Bolts (3) and 3/8" Washers (4) through the bottom of the leg and into the factory installed nuts on the mounting plate attached to the bottom of the bench plank (Detail B)
2. Following the same procedure established in step 1, attach the same Bench Plank (1) to the second Bench Leg (2) using two 3/8" x 1 1/4" Button Head Bolts (3) and 3/8" Washers (4).
3. Now identify your frame type from and follow the specific instructions for your frame. Again, use the frame index page to complete this step.



# 8' Park Bench without Back Frame Index and Install

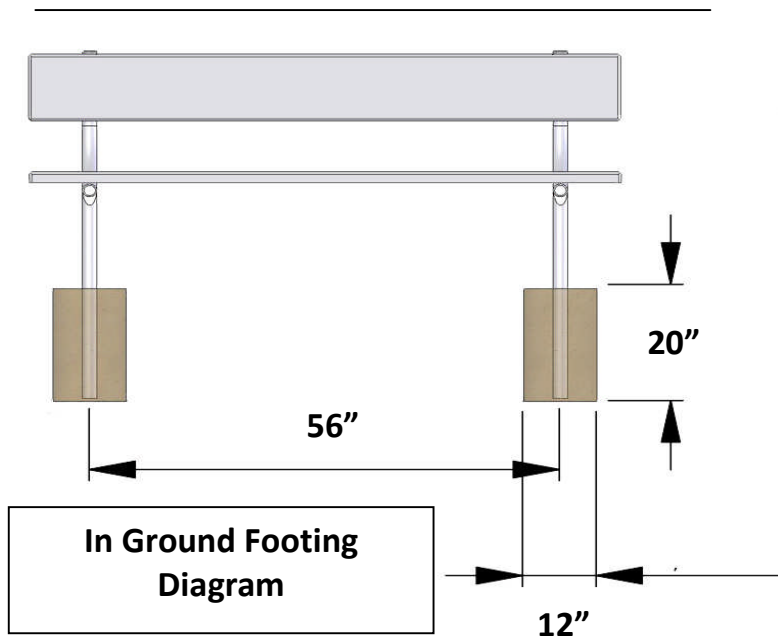
## In Ground Mount Instructions:

1) **IN GROUND MOUNT (Refer to the Footing Diagram below)** – Dig two holes 12" in diameter, 20" deep and span 76" from center to center.

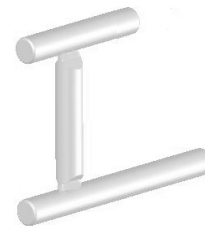
2) Place the bench into the holes and level (also make sure bench is still square). Completely fill the holes with concrete. After you add the concrete, make sure that it didn't cause the bench to shift out of level.

3) We recommend that the top of the concrete slope down and away from the Bench leg to help with water runoff.

**613-701I**  
In ground



**613-701P**  
Portable



## Portable Frame Instructions:

1) After assembling the unit attach both of the cross braces (7) to the holes located on the bottom side of the bench in the center of the long support brace, with one 3/8 x 1 1/4" button head bolt (8), two 3/8" washers (9) and one 3/8" lock nut (10).

2) Attach the other end of the braces to each leg using one 3/8 x 3" button head bolt (3), two 3/8" washers (9) and one 3/8" lock nut (10) for each leg. Completely tighten these bolts.

3) Finally, tighten all remaining bolts.

## Surface Mount Instructions:

1) After bolts have been tightened, place the bench in the desired permanent location and mark the holes from the mounting plate onto the mounting surface. Move the bench and drill the marked holes 3.75" deep with a 3/8" bit.

2) Remove the nuts and washers from the anchor bolts (11) and place the anchor bolt into the drilled holes. Back the bolt in the anchor out far enough so there are sufficient threads exposed for the nut after the bolt goes through the mounting plate and washer.

3) Put the bench back in place. Put the put a washer and hand tightened nut on each anchor, do not completely tighten until all nuts are hand tight. Square and level the and then tighten all other bolts.

**613-701S**  
Surface





## 8' Bench Style Options

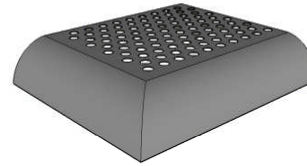
### Style Identification

In the event a replacement part is needed, it is important that you are able to identify not only the product but the style of product you ordered. The images to the right represent all the style options that are available for the product you purchased. Please identify your style and it's corresponding part number before you contact your distributor or the manufacturer for replacement parts.

Currently, SportsPlay Equipment offers four style options. Rolled edge with perforated steel, beveled edge with perforated steel, rolled edge with expanded steel and beveled edge with expanded steel.

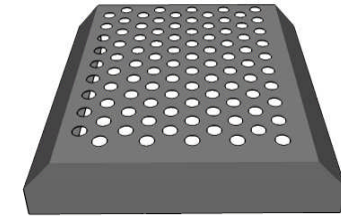
To identify your product style you must first define the edge. If it has a radius it is a rolled edge and if it has a 45 degree angle it is the beveled edge. Expanded steel is easily identified by its distinct weave pattern. The perforated steel option is simply sheet metal that has been punched with a pattern of holes.

Rolled/Perforated



613-612PR

Beveled/Perforated



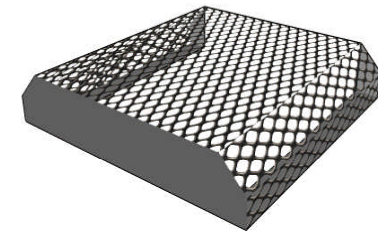
613-612PB

Rolled/Expanded



613-612ER

Beveled/Expanded



613-612EB

### **Brackets**

- Inspect all four-hole clamps and panel clamps.
- Ensure the setscrews are tight and in place.
- Ensure all Torx Screws are in place and that the bracket is firmly attached to post.
- Inspect the clamps for cracks and sharp edges. Smooth any sharp edges and fix the finish. Replace brackets if cracked.

### **Hardware**

- Inspect for loose or missing hardware. Tighten all loose hardware and replace all missing hardware. Block off access to equipment if necessary.

### **Plastic Components**

- Inspect for any sharp edges or deformities. Minor deformities and sharp edges can be repaired using a utility knife. Block off access until repairs are made. Contact distributor for replacement parts.

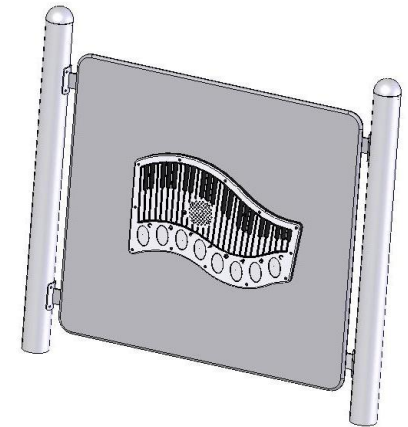
### **Welds**

- Inspect all welds for cracks. If a crack is found block access to the playground and contact your distributor for replacement parts immediately.

### **Finish**

- Inspect all metal components for coating damage. If powder coating needs to be repaired sand surface and mask off area. Coat with primer and once the primer has dried paint with color matching touch up paint. Contact distributor of color matching paint. Contact Distributor for Thermoplastic repair kit.

**Surfacing** - Refer to the surfacing maintenance sheet.



### **Footings**

- Inspect all footings to ensure equipment is secure. You must block access to prevent access until repair is made.

### **Replacement Parts**

- Reference the parts list on page 2 of the instruction set for this component to identify the part/s correctly.
- Contact your distributor to order parts.





**SportsPlay**<sup>TM</sup>  
We Put the Value in Play!

## **INSTALLATION INSTRUCTIONS**

**922-217F**

**BALL MAZE PANEL (FREE STANDING)**

**Please read the entire manual before beginning installation.**



## **TAB SECTION INDEX**

1. 3D AND 2D DRAWINGS
2. INSTALLATION GUIDE
3. INSTALLATION STEPS
4. COMPONENT INSTALLATION
5. APPENDIX
6. ORIGINAL COMPONENT MAINTENANCE FORMS
7. COMPLETED COMPONENT MAINTENANCE FORMS





# 922-217F BALL MAZE PANEL Installation Guide

---

## Table of Contents

3D DRAWING .....	
TOP DOWN VIEW .....	
FOOTING VIEW .....	
Important.....	5
When you receive your playground .....	5
Before you begin.....	5
Safety Surfacing .....	7
Tools and Materials.....	8
BEFORE BEGINNING .....	9
SITE REQUIREMENTS .....	9
MAINTENANCE: .....	9
PLAY AREA:.....	9
Installation Punch List .....	
Footing Layout Example.....	
Step 1: Layout.....	10
Step 2: Holes .....	10
Step 3: Deck, Post & Component Installation .....	11
Step 4: Concrete .....	11
Step 5: Last Step .....	11
Four Hole Bracket & Panel Bracket Installation .....	
Other Installation Tips .....	12
SUPERVISION GUIDE .....	13

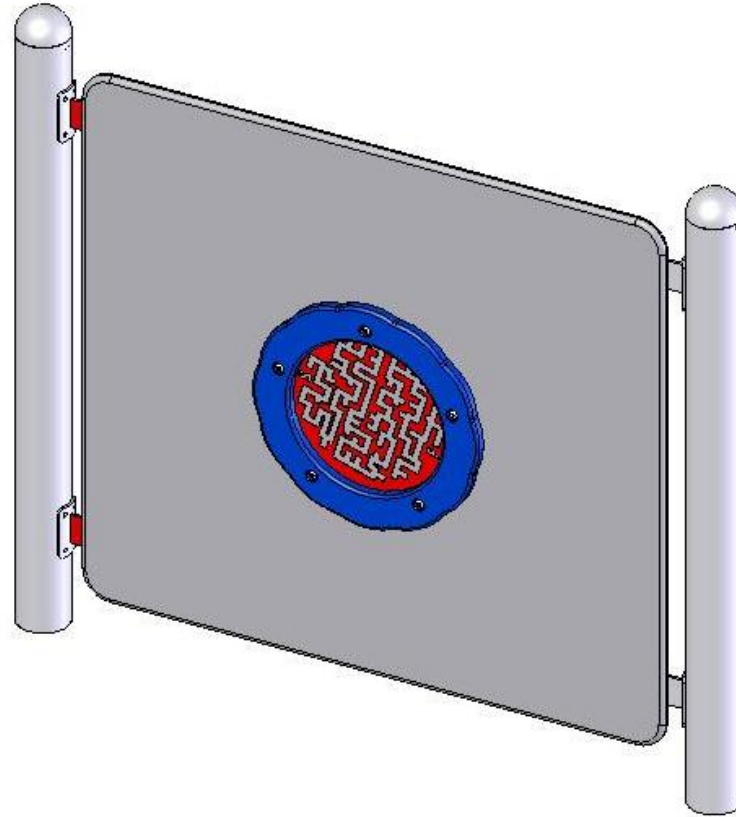
## HARDWARE DRAWINGS

## COMPONENT INSTALLATION INSTRUCTION SETS

## APPENDIX

### FINAL INSTALLATION STEPS

### MAINTENANCE AND INSPECTION





## 922-217F BALL MAZE PANEL Installation Guide

### **Important**

#### **Please read completely before beginning installation.**

This equipment has been designed for safety as well as challenge and fun. This equipment has been designed to reduce injuries and therefore must be installed “Step by Step” per our Instructions.

The U.S. Consumer Product Safety Commission (CPSC) published a report stating 79% of all playground injuries treated in U.S. Emergency Rooms was the result of a fall. It is critical that you refer to the Protective Surfacing section of these instructions, located on the next page prior to installing your playground. As the owner you are responsible for the safe installation of not only the play equipment, but also the safety of the site.

#### **When your receive your playground**

- Identify all parts by comparing them to the part list and component instruction pages.
- Always compare the number of pallets, cartons or other items the BOL has listed with the number actually received. Note the any discrepancies on the BOL.
- Also note any obvious damage to the packing materials, pallets or components on the BOL.
- Equipment should be inventoried and installed within a few days of receipt. The packing materials are meant to protect the equipment during shipping and not for storage. Heat, weather and sunlight can damage the packing materials, which can impact the components. If storage is required you must store the equipment in a controlled environment away from heat, moisture and sunlight. SportsPlay recommends carefully unpacking the unit and taking an inventory before

storing the equipment. Care should be taken with all powder coated and thermoplastic-coated parts to prevent damage to the coating.

- You have 30 days from receipt of your equipment to file a claim for missing or damaged parts.

#### **Before you begin**

Review your playground footing and top view drawings to ensure your site is large enough. These guidelines are available from the CPSC (contact information for the CPSC is located on the next page).

- Read through the entire instruction booklet before beginning the actual installation.
- Before you begin preparing the site or digging any holes you must first contact your local utility companies so they can visit the site and mark all of the buried utilities. In the U.S. you may call 811 and your call will be routed to your local utility center.
- This equipment was designed to install on a clear and level site. There should be no more than 3” of grade variations in a 10’ span.
- Footing layout is the first critical step once the installation begins. Mark all holes using the footing diagram. Prior to digging holes compare the measurements from the footing diagram to the actual site markings to ensure accuracy. Then check it again! (Footing info is located on pg 16 in this guide)
- Our posts are manufactured to accommodate 12” of protective surfacing.
- Evaluate the site for drainage. To ensure good drainage around the equipment consult a local professional.
- Do not leave the jobsite un-attended during installation unless all access points to the play area are secure, all bolts and fasteners are tight and all ground holes are covered.



## 922-217F BALL MAZE PANEL Installation Guide

---

- SportsPlay Equipment inc. has provided two warning labels that state: “WARNING – Installation over a hard surface such as concrete, asphalt or packed earth may result in serious injury or death from falls.” These labels must be installed on vertical posts as per ASTM F1487. Instructions for the placement of these labels are included in the appendix of this booklet.
- SportsPlay will provide manufacturer identification labels that must be installed on the structure during installation per ASTM F1487. Installation instructions for these labels are included in the appendix of this instruction manual.
- Labels must be replaced when they are no longer legible. Contact your distributor for replacement labels.



## 922-217F BALL MAZE PANEL Installation Guide

---

### **Safety Surfacing**

#### **WARNING! – INSTALLATION OVER A HARD SURFACE SUCH AS CONCRETE, ASPHALT OR PACKED EARTH MAY RESULT IN SERIOUS INJURY OR DEATH FROM A FALL**

Because accidental falls are likely to occur around play equipment, SportsPlay Equipment Inc. recommends that a resilient safety surfacing that will meet standard ASTM F1292 be placed under and around the structure and extend throughout the entire use zone.

SportsPlay Equipment Inc. does not manufacture safety surfacing. All manufacturers of safety surfacing require different depths of surfacing for fall heights. Consult your surfacing supplier about the required safety surfacing depth for your play equipment.

**SportsPlay Equipment Inc. manufactures all playgrounds to accommodate 12” of safety surfacing. If you intend to adjust the height of the surfacing you will need to adjust the depth of the footing to accommodate the surfacing height.**

Refer to the CPSC Handbook for Public Playground Safety for the recommended type and depth of the protective surfacing as well as all other playground safety concerns.

For a copy of the most current issue of the CPSC Handbook for Public Playground Safety, write to:

**U.S. Consumer Product Safety Commission**  
Office of Information and Public Affairs  
Washington DC, 20207  
USA

Call - 1-800-638-2772 (US and Canada only)  
Call - 301-504-0990  
Direct Link - <http://www.cpsc.gov>

For a copy of either the standard for surfacing (ASTM F1292) or for play equipment (ASTM 1487) write to:

**American Society for Testing and Materials**  
100 Bar harbor drive  
West Conshohocken PA, 19428-2959  
USA

Call – 618-832-9585

Web Site – [www.astm.org](http://www.astm.org)

You must consider the type of safety surfacing you will use before beginning the installation process. There are two general types, organic/loose fill or synthetic unitary (pour in place). You must know which type of surfacing you are going to use prior to installing the playground. This unit was designed for 12” of loose fill surfacing so if the customer wants to use a synthetic unitary product that has a much smaller height than 12” you must dig the footing holes deeper to allow for the difference.

If loose fill surface material is to be used (example: wood mulch) you will need to consider containment borders. There are many products to choose from including hard plastic and natural products such as wood (Creosoted railroad ties are NOT recommended for use as borders in a play area). Loose fill materials are easily displaced so use of some type of containment border is necessary to keep the surfacing material inside the intended area. Some customers also prefer to have a weed mat installed to prevent weed growth. Choose a mat that will prevent growth but will also allow for drainage.



## 922-217F BALL MAZE PANEL Installation Guide

---

### Tools and Materials

List is for tools and materials needed that are not included with the playground

Follow manufacturer's guidelines for proper use of tools and materials.

- The best method (also the easiest) to dig the postholes is using a tractor with a 12" auger attachment.
- Shovels (long handled spades)
- Post hole digger
- Wheelbarrow
- Large construction bar (5')
- Claw hammer
- Large dead-blow rubber hammer
- Small sledgehammer to use in blocking the posts
- Strong and sturdy step ladders
- Extension cords & power supply
- Levels – Magnetic torpedo and 4' long levels
- Scrap lumber to use for shims in post holes to keep posts level
- Blocking materials for the post holes (bricks, concrete blocks, etc.)
- Files and sand paper
- Safety surfacing
- Spray paint to mark holes
- String line
- Cement (2,500 psi minimum)
- Straight line or transit level (and tripod) for ensuring hole depths are at the same level



## 922-217F BALL MAZE PANEL Installation Guide

**BEFORE STARTING INSTALLATION OF YOUR PLAYGROUND,  
PLEASE READ INSTRUCTIONS THOROUGHLY.**

### **BEFORE BEGINNING**

#### **SITE REQUIREMENTS**

The Playground system is designed to suit a level site. Should there be any falls or slopes on the site; care should be taken to accommodate the entry and exit points and to maintain the correct height. There should not be more than 3” of drop in grade per every 10’.

The site must be inspected for natural obstacles such as roots or rocks that may be a trip hazard, poor drainage and sharp objects such as glass.

Every state has different rules and regulations governing digging, some are stricter than others. In addition, 62 separate One Call Centers serve different areas of the country; now 811 will connect you directly to your local One Call Center. Prior to digging, be sure to call 811 or the local One Call Center to prevent accidentally disrupting local utility service.

#### **MAINTENANCE:**

As an owner, it is most important that you are aware of your responsibility to insure safe use of your new equipment. It is necessary to install equipment according to the installation instructions provided and inspect the equipment at regular intervals. During inspection, if any part is found damaged or excessively worn, equipment should be closed immediately. A maintenance section is included in the appendix of this instruction booklet.

If a part is missing or damaged the playground must be put out of service while the part is replaced. Lack of maintenance will result in premature wear, reduced life expectancy, and possible failure that may result in injury.

All SportsPlay Equipment play events have been engineered to meet all applicable safety guidelines, but if installed improperly, these problems may occur:

- Entrapment gaps (between 3 1/2” and 9”)
- String Entanglements
- Protrusions

Make sure that any bolt end that protrudes more than 2 threads past the face of the nut is trimmed and de-burred smoothly. Always double-check your work.

Installation must adhere to the manufacturer’s assembly manual and all other applicable safety guidelines.

#### **PLAY AREA:**

The area immediately above and around the play structure must be free of any obstructions such as:

- Trees
- Other Play Equipment
- Buildings
- Overhead Power lines

**Make sure the play area has all the required safety surfacing and the minimum fall zones as required by the safety guidelines. These guidelines can be found at [www.cpsc.gov](http://www.cpsc.gov).**

**CHILDREN MUST BE SUPERVISED AT ALL TIMES. No playground is safe without adult supervision!**

There may be situations that require you to modify the layout or use your own judgment. If you have any questions contact your distributor.

Reading this entire manual before beginning the installation will help you to ensure your equipment is installed and maintained correctly.

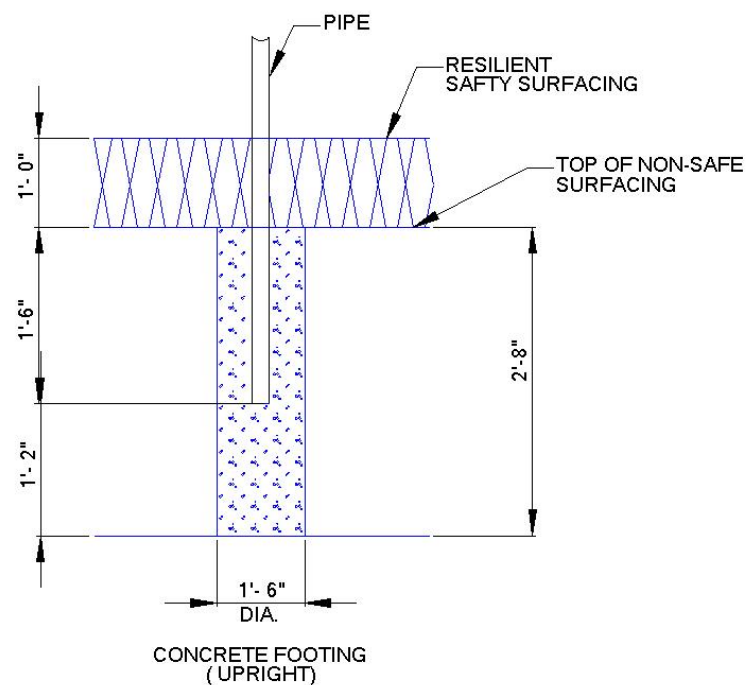
## Step 1: Layout

1. Lay structure in the desired location using the top view layout drawing. Measure from each post to ensure there is adequate space for any component and the components fall zone. This drawing is a standard drawing and does not represent the actual playground you are installing.
2. Most installers like to orientate the playground so that the entry point of the playground is facing either the sidewalk or the direction from which the children are entering the play area.

## Step 2: Holes

1. If the site grade is not level you have to adjust the footing depth to maintain a level footing. Check with building codes to ensure you meet required hole depth and width. If a deeper footing is required you must add blocking materials to the hole to keep the post depth in accordance with the footing side view drawing on the next page.
2. Once the structure is in the desired location within the play area, mark the locations of the post by inserting a stake into the center of each post location (see drawing below for an example). If using spray paint to mark location please be careful not to spray the post.
3. Match the post location marks with the footing layout in the front of this booklet. Dig your holes using the main post footing drawing below. If your surface grade is not level you should start with the lowest point and use that hole depth to level all other holes too. The footing drawing below indicates a depth of 22" plus the thickness of a brick (or the thickness of whatever blocking material you will use instead of a brick). This depth is for 12" of surfacing only. If you are using something other than 12" of surfacing, such as 3" of rubber your hole depth would have to be 31" plus the thickness of a brick to allow for less surfacing material.

## FOOTING SIDE VIEW



4. It is recommended that you use a transit to level the remaining post holes to the first hole in order to ensure that the posts are level.





## 922-217F BALL MAZE PANEL Installation Guide

---

### Step 3: Post & Component Installation

1. We recommend installing the posts once the post are square and level you may add the concrete (concrete with a minimum of 2,500 psi should be used). Mix concrete per manufacturers instructions and let it cure for at least 24 hours before continuing.
2. **NEVER LEAVE THE INSTALLATION SITE UNATTENDED WITHOUT ROPING OFF THE AREA AND EQUIPMENT, INSTALLING ALL HARDWARE, SECURING TOOLS AND EQUIPMENT, AND COVERING OPEN HOLES WITH A RIGID MATERIAL (PLYWOOD). CHILDREN WILL TRY TO USE THE EQUIPMENT EVEN THOUGH ITS NOT FULLY ASSEMBLED. YOU MUST TAKE ACTION TO PREVENT INJURY AND DAMAGE.**

### Step 4: Concrete

1. Verify all swing posts and fittings are tight, level and square. Once the unit is verified to be level and square you may start installing concrete. You must use concrete with a minimum of 2,500 psi.
2. Always pre mix the concrete to the manufactures directions before pouring it into the hole. Never put dry concrete in the hole. Typically each main posthole requires two 80-pound bags of concrete.
3. Allow concrete to set in accordance with manufacturers directions. Fill holes too about 2” below the surface with concrete. Once the hole has been filled with concrete, slope the top of the concrete down and away from the post to keep water from seeping between the post and the concrete.
4. Secure playground area to prevent access while the concrete is setting for a minimum of 48 hours.

5. SportsPlay recommends having a CPSI (certified playground safety inspector) present during installation. If that’s not possible you should have the completed playground (after surfacing is in place) inspected by a CPSI.

### Step 5: Last Step

1. After concrete has completely set, backfill all holes with dirt.
2. Install surfacing.



## 922-217F BALL MAZE PANEL Installation Guide

---

### Other Installation Tips

- **If you are mocking up components with the intention of removing the hardware at some point**, you may want to apply lubricating oil to the hardware. Stainless steel hardware has a tendency to seize so if you are planning on removing the hardware you may want to apply lubricant to prevent this.
- Unless specified in the specific component instruction step, **do not tighten the hardware completely** until the entire unit is assembled.



## 922-217F BALL MAZE PANEL Installation Guide

---

### **SUPERVISION GUIDE**

Although the equipment is designed, installed and maintained in accordance with all safety guidelines adult supervision is required.

Not all equipment is appropriate for all ages. Direct children to age appropriate equipment.

Younger children will require more supervision than older children.

While eliminating accidents is not likely, following these guidelines will help minimize accidents.

Basic playground safety for supervisors:

- Make sure all safety surfacing is in place and at the correct height. Inspect area for hard or sharp objects and remove them.
- No dangerous horseplay in the play area. (Jumping from dangerous heights, displacing of surfacing, etc...)
- Inspecting for missing or broken equipment. (Do not allow children to play on broken equipment or equipment with missing components).
- Make sure there are no unsafe modifications (especially ropes tied to equipment). Remove all unsafe modifications and close the equipment for play until they are removed.
- Keep children in the designated play area.
- Do not let children play on wet equipment.
- Prevent overcrowding on play equipment.

- Loose clothing, hoods, strings or jewelry shall be tight or not worn while playing to prevent strangulation.
- Ensure the temperature of the equipment is not hazardous. Direct sunlight exposure can increase the temperature of the equipment high enough to cause injury.
- Inspect the playground every day using the General Inspection Checklist located in the appendix of this manual

The easiest method for performing the daily inspection with the checklist is to laminate the checklist and use a dry erase marker to mark the items off before opening the play area



# **COMPONENT INSTALLATION INSTRUCTIONS**

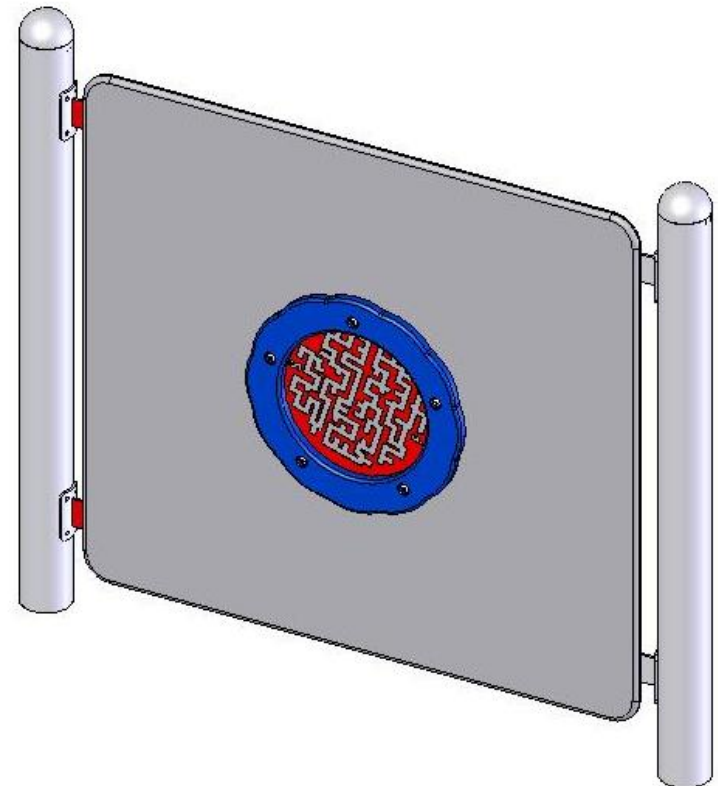
### **INSTALLATION DETAILS**

- Recommended crew (Adult): 2
- Installation time: **1 Hour (2 man hrs)**
- User age: **2-12 Years**
- Use zone: **NA**
- Weight: **51**

**SURFACING: Use of safety surfacing in compliance with ASTM specification F1292 is required.**

### **MAINTENANCE:**

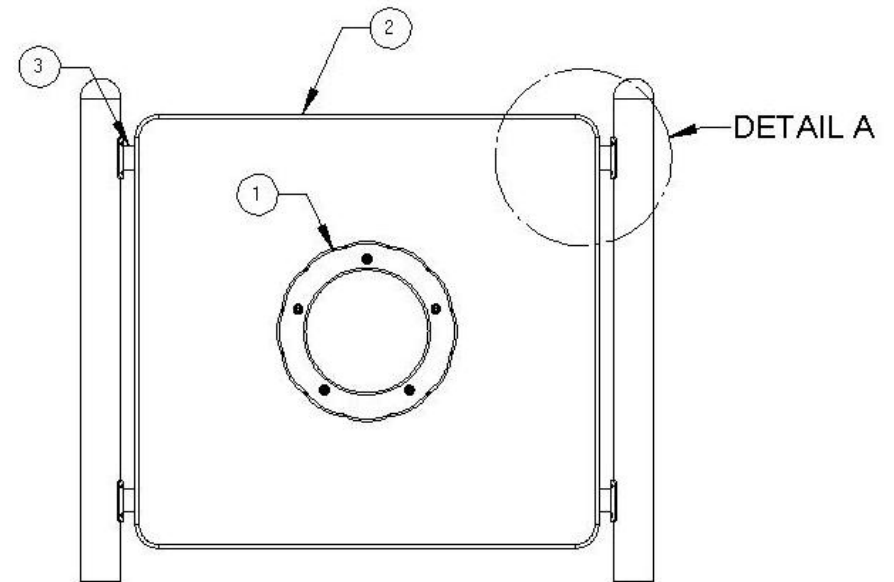
- As the owner of the playground you are responsible for maintenance of the equipment and play area. A maintenance schedule must be developed and the equipment inspected frequently. A maintenance section that includes component specific maintenance requirements is included at the end of this manual.
- Be sure to inspect surfacing for foreign objects that could cause injury and that sufficient surfacing is in place in accordance with ASTM and CPSC standards.



**PARTS LIST**

ID	PART #	DESCRIPTION	QTY
1	905-217	Ball Maze Insert	1
2	905-217MP	Ball Maze Plastic Panel	1
3	913-417	Panel Attachment Bracket	4
4	905-208	Gasket for Attachment Bracket	4
5	905-526	Self Tapping Screws	16
6	316-501	5/16" Flat Washer	4
7	116-529	5/16"x3/4" Button Head Bolt	4
8	216-512	5/16"x1" Button Head Nut	4
9	316-601	3/8" Flat Washer	4
10	416-350	3/16 Socket Key	2

**NOTE:** Keep a copy of these instructions on file to assist you with maintenance and replacement parts.





### **SPECIFICATIONS**

- Panel- 3/4" HDPE UV stabilized plastic
- Hardware – Stainless steel & tamper resistant
- Attachment Bracket – Powder coated steel

### **SPECIAL SAFETY & ASTM COMPLIANCE NOTES**

***CRITICAL MEASUREMENT*** IT IS EXTREMELY IMPORTANT THAT YOU MAINTAIN A MAXIMUM OF 3 1/2" DISTANCE BETWEEN THE TOP, BOTTOM, OR SIDES OF THE PANEL AND THE NEAREST EDGE OF THE DECK OR POSTS.

### **INSTALLATION TIPS & TROUBLE SHOOTING**

- SportsPlay Equipment Inc. recommends pre-drilling the holes in the post when attaching a four-hole bracket with a number #7 drill bit. This will make the attachment of the four-hole bracket with the self-tapping screws easier and it will prevent damage to the screw head during installation.
- Apply locktite to all bolts during assembly prior to completely tightening them.
- Stainless Steel hardware can occasionally be difficult to use particularly if you need to take them out to make an adjustment. It is recommended that you add a drop of oil to bolts that may have to be removed before you install them.
- Do not tighten bolts all the way until the unit is completely assembled and all components are square and level.
- Identify and separate all parts by referencing the detail drawings and the parts list.
- As you unpack and separate the components, use the cardboard sheets that were used for packing and shipping to prevent damage to the components. This is particularly true all Powder Coated and Thermoplastic coated components, by setting the components on top of the cardboard.



### **BEFORE YOU BEGIN**

In addition to the components on the packing list you will need a drill with a 1/2" drill bit and a dry erase marker ----.

### **INSTALLATION STEPS**

\_\_1) **Review all instructions before beginning**

\_\_2) **Unpack, organize, and identify all components.** Be sure to place all painted components on a protective surface (cardboard, cloth, etc...) to prevent damage.

\_\_3) **Locate placement of panel** Refer to the overhead drawing in your instruction booklet. If the panel is to be installed above deck then you must make sure the top of the panel is 38" above the top of the deck surface. If it is to be installed below the deck then make sure that the gap between the bottom of the deck edge and top of panel is either less than 3 1/2" or more than 9". This will eliminate any possible head and neck entrapments.

**CRITICAL MEASUREMENT** IT IS EXTREMELY IMPORTANT THAT YOU MAINTAIN A MAXIMUM OF 3 1/2" DISTANCE BETWEEN THE TOP, BOTTOM, OR SIDES OF THE PANEL AND THE NEAREST EDGE OF THE DECK OR POSTS.

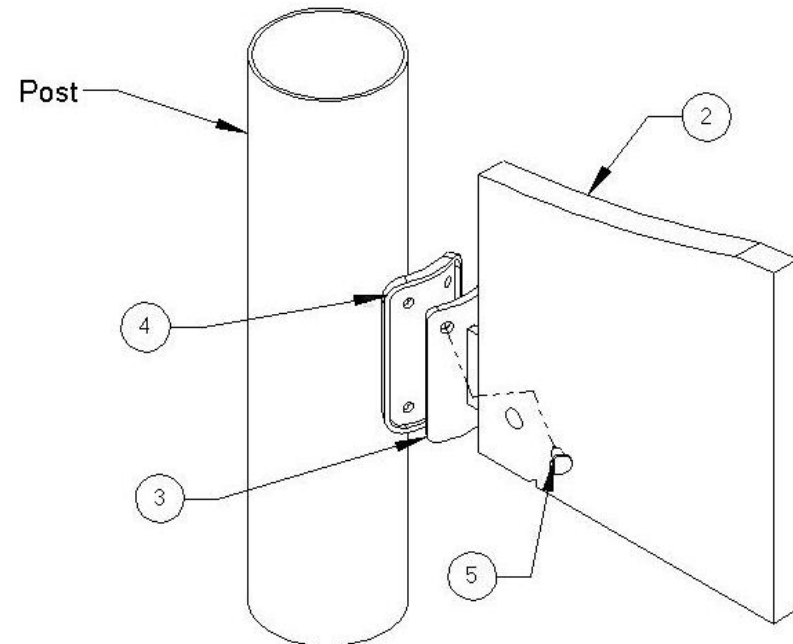


### INSTALLATION STEPS CONTINUED

\_\_\_4) **Attach panel attachment brackets** You will need the four panel attachment brackets (3), four attachment bracket gaskets (4), sixteen self tapping screws (5). Determine the proper placement for the panel attachment brackets. (This will vary with different deck heights and locations). You will need to mock up the panel and Attachment Brackets to determine this. Secure the panel attachment brackets to the posts using the self tapping screws with the attachment bracket gasket between the post and the attachment bracket. (SEE DETAIL A) **TIP: It's easier to install the self-tapping screws if you pre drill the holes in the post with a #7 drill bit by marking the hole locations with a dry erase marker**

\_\_\_5) **Mark holes:** Once you have all four of the panel attachment brackets installed, locate the panel. With help lift the panel into place and mark the holes in the tab of the panel attachment bracket on the panel. IT IS EXTREMELY IMPORTANT THAT YOU MAINTAIN A MAXIMUM OF 3 1/2" DISTANCE BETWEEN THE TOP, BOTTOM, OR SIDES OF THE PANEL AND THE NEAREST EDGE OF THE DECK OR POSTS.

\_\_\_6) **Drill** a 1/2" hole in the panel at the marks made from the panel attachment brackets

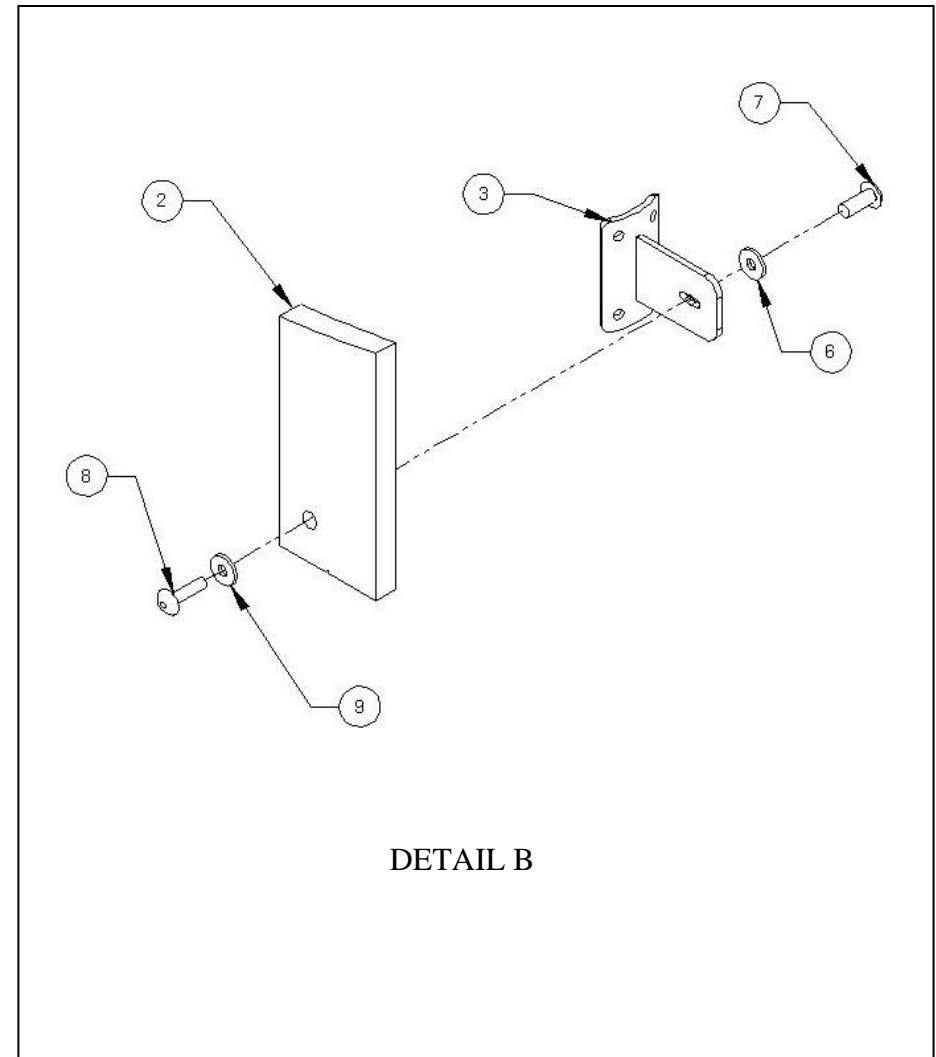


DETAIL A

**INSTALLATION STEPS CONTINUED**

\_\_7) **Install the panel** Locate the four 5/16" flat washers (6), four 5/16" x 3/4" button head bolt (7), four 5/16" x 1" button head nuts (8), four 3/8" flat washers (9) and locktite. Lift the panel up to the panel attachment brackets and secure it with the hardware listed in this step. (SEE DETAIL B) Tighten all hardware.

\_\_8) **Inspect the components** for sharp edges and if necessary file them down and apply touch up paint.



### **Brackets**

- Inspect all four-hole clamps and panel clamps.
- Ensure the setscrews are tight and in place.
- Ensure all Torx Screws are in place and that the bracket is firmly attached to post.
- Inspect the clamps for cracks and sharp edges. Smooth any sharp edges and fix the finish. Replace brackets if cracked.

### **Hardware**

- Inspect for loose or missing hardware. Tighten all loose hardware and replace all missing hardware. Block off access to equipment if necessary.

### **Plastic Components**

- Inspect for any sharp edges or deformities. Minor deformities and sharp edges can be repaired using a utility knife. Block off access until repairs are made. Contact distributor for replacement parts.

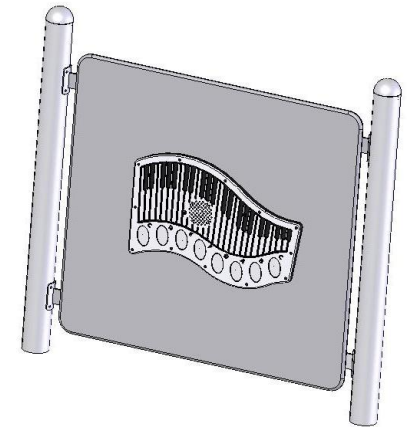
### **Welds**

- Inspect all welds for cracks. If a crack is found block access to the playground and contact your distributor for replacement parts immediately.

### **Finish**

- Inspect all metal components for coating damage. If powder coating needs to be repaired sand surface and mask off area. Coat with primer and once the primer has dried paint with color matching touch up paint. Contact distributor of color matching paint. Contact Distributor for Thermoplastic repair kit.

**Surfacing** - Refer to the surfacing maintenance sheet.



### **Footings**

- Inspect all footings to ensure equipment is secure. You must block access to prevent access until repair is made.

### **Replacement Parts**

- Reference the parts list on page 2 of the instruction set for this component to identify the part/s correctly.
- Contact your distributor to order parts.



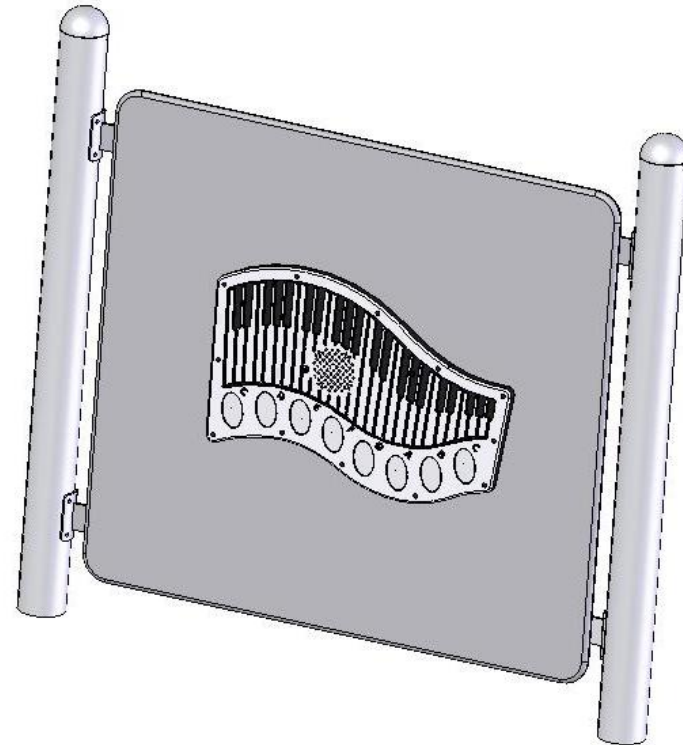
### **INSTALLATION DETAILS**

- Recommended crew (Adult): 2
- Installation time: **1 Hour (2 man hrs)**
- User age: **2-12 Years**
- Use zone: **NA**
- Weight: **111**

**SURFACING: Use of safety surfacing in compliance with ASTM specification F1292 is required.**

### **MAINTENANCE:**

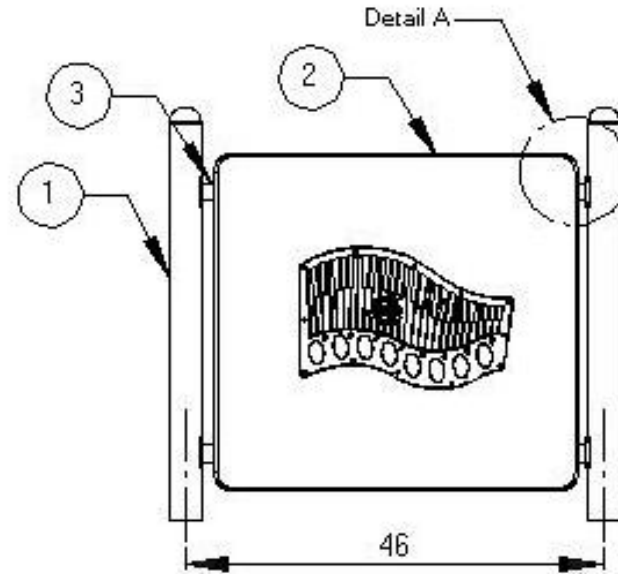
- As the owner of the playground you are responsible for maintenance of the equipment and play area. A maintenance schedule must be developed and the equipment inspected frequently. A maintenance section that includes component specific maintenance requirements is included at the end of this manual.
- Be sure to inspect surfacing for foreign objects that could cause injury and that sufficient surfacing is in place in accordance with ASTM and CPSC standards.



**PARTS LIST**

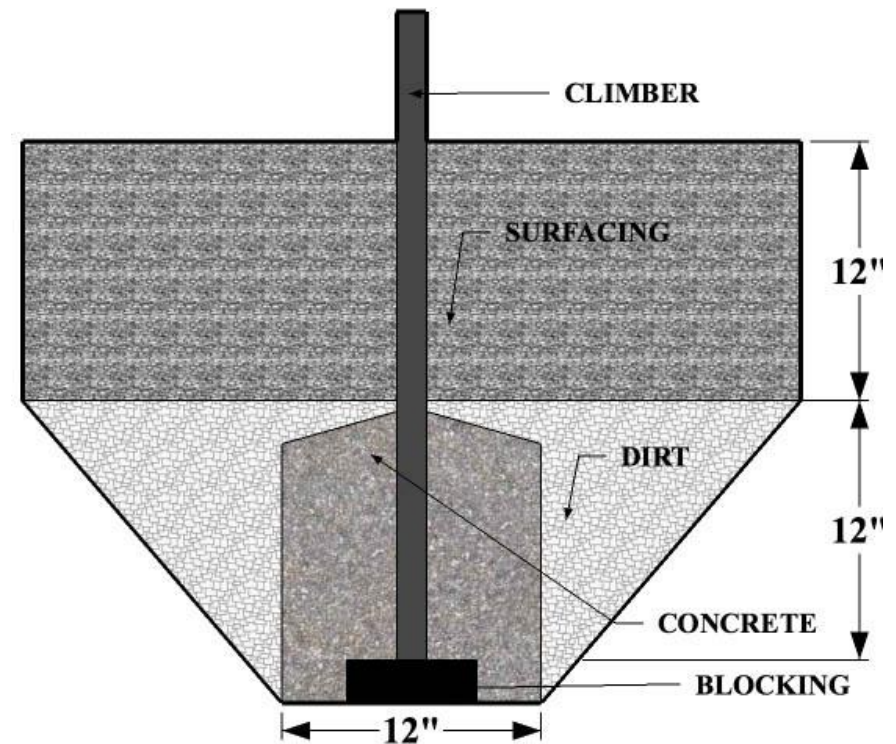
ID	PART #	DESCRIPTION	QTY
1	913-499	3 1/2" x 6'2" Post	2
2	905-219P	Electronic Piano Panel	1
3	913-417	Panel Attachment Bracket	4
4	905-208	Gasket for Attachment Bracket	4
5	905-526	Self Tapping Screws	16
6	316-501	5/16" Flat Washer	4
7	116-529	5/16"x3/4" Button Head Bolt	4
8	216-512	5/16"x1" Button Head Bolt	4
9	316-601	3/8" Flat Washer	4

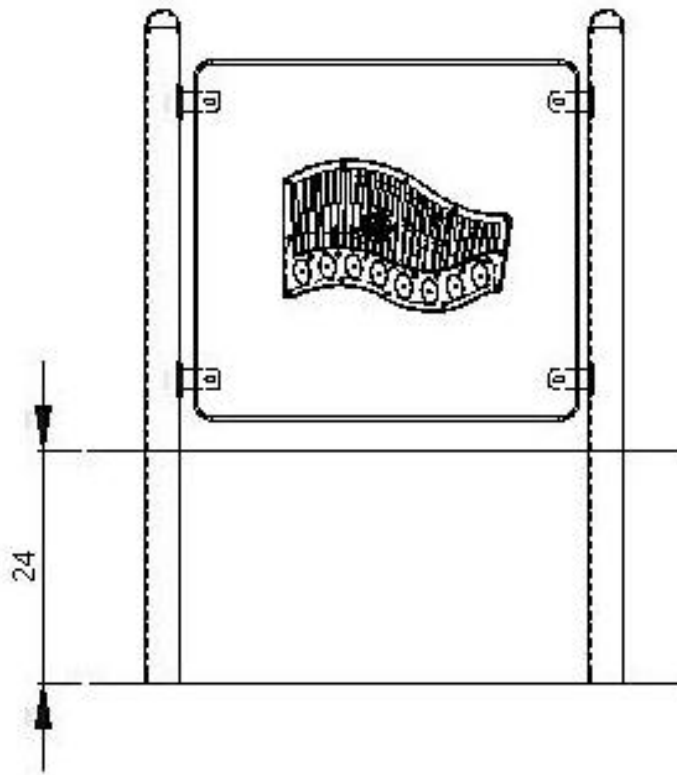
**NOTE:** Keep a copy of these instructions on file to assist you with maintenance and replacement parts.



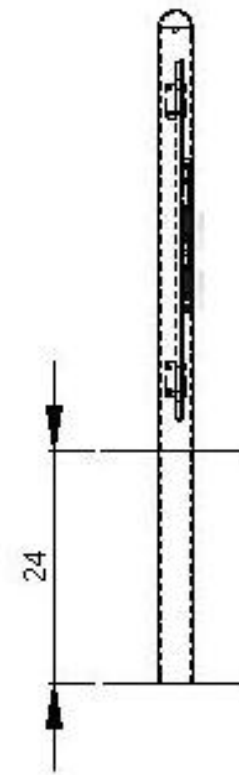
**FOOTING INFORMATION**

- Total footing depth is 24" less the height of the surfacing plus the height of the blocking material. If you were using 12" of surfacing the footing hole would need to be 12" plus the height of the blocking material (refer to the cutaway view to the right).
- If the Play structure is installed on an unlevel grade you must adjust the footing depth to accommodate the grade. For instance, if the grade for this component is 1" higher than the surface grade of the main playground post you must dig your footing hole 1" deeper.
- You must place the bottom of the post on a suitable flat blocking material to prevent it from sinking further into the soil. We recommend you use a brick, block of wood or several inches of gravel. The footing depth does not include this blocking material since materials used often vary.
- It is the owner/installers responsibility to check local building codes and to comply with those codes. All footing depths listed here are recommendations and local soil types and frost lines may require a deeper and/or wider footing depth. If that's the case you must add more blocking material to accommodate the deeper footing, as the post length will still only be installed at the depth listed in this instruction manual.
- Assemble the entire unit before adding the concrete unless instructed to do so in the individual component instruction sections.





922-219F  
ELECTRONIC PIANO  
FREESTANDING PANEL  
ELEVATION VIEW







## 922-219F ELECTRONIC PIANO FREESTANDING PANEL INSTALLATION INSTRUCTION

### **SPECIFICATIONS**

- Panel- 3/4" HDPE UV stabilized plastic
- Hardware – Stainless steel & tamper resistant
- Attachment Bracket – Powder coated steel

### **SPECIAL SAFETY & ASTM COMPLIANCE NOTES**

**CRITICAL MEASUREMENT** IT IS EXTREMELY IMPORTANT THAT YOU MAINTAIN A MAXIMUM OF 3 1/2" DISTANCE BETWEEN THE TOP, BOTTOM, OR SIDES OF THE PANEL.

### **INSTALLATION TIPS & TROUBLE SHOOTING**

- SportsPlay Equipment Inc. recommends pre-drilling the holes in the post when attaching a four-hole bracket with a number #7 drill bit. This will make the attachment of the four-hole bracket with the self-tapping screws easier and it will prevent damage to the screw head during installation.
- Apply locktite to all bolts during assembly prior to completely tightening them.
- Stainless Steel hardware can occasionally be difficult to use particularly if you need to take them out to make an adjustment. It is recommended that you add a drop of oil to bolts that may have to be removed before you install them.
- Do not tighten bolts all the way until the unit is completely assembled and all components are square and level.
- Identify and separate all parts by referencing the detail drawings and the parts list.
- As you unpack and separate the components, use the cardboard sheets that were used for packing and shipping to prevent damage to the components. This is particularly true all Powder Coated and Thermoplastic coated components, by setting the components on top of the cardboard.



### **BEFORE YOU BEGIN**

In addition to the components on the packing list you will need a shovel or posthole digger, cement, level, and drill with a #7 drill bit and a 1/2" drill bit, and a dry erase marker.

### **INSTALLATION STEPS**

**\_\_1) Review all instructions before beginning**

**\_\_2) Unpack, organize, and identify all components.** Be sure to place all painted components on a protective surface (cardboard, cloth, etc...) to prevent damage.

**\_\_3) Dig footing hole:** Referencing the footing cutaway drawings on page 3, the footing layout and elevation views on page 4 of this components instruction set along with the main footing diagram on page 2 of the installation guide, mark and dig the footings as instructed for the Electronic Piano Freestanding Panel (1). (Footing depth is 24" less the amount of surfacing used plus the thickness of the blocking material).

**\_\_4) Placement of panel.** Make sure that the gap between the bottom of the surfacing edge and top of panel is either less than 3 1/2" or more than 9". This will eliminate any possible head and neck entrapments.

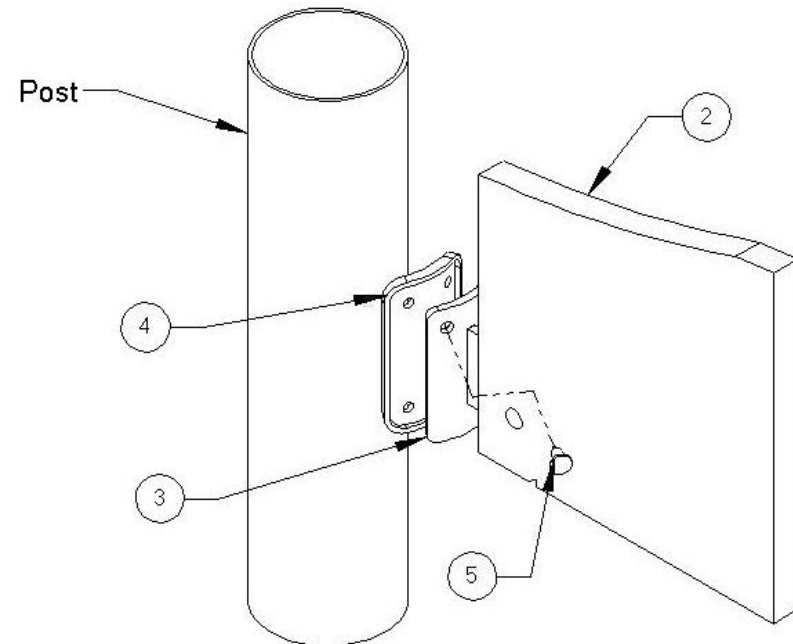
**CRITICAL MEASUREMENT** IT IS EXTREMELY IMPORTANT THAT YOU MAINTAIN A MAXIMUM OF 3 1/2" DISTANCE BETWEEN THE TOP, BOTTOM, OR SIDES OF THE PANEL AND THE NEAREST POSTS.

### INSTALLATION STEPS CONTINUED

\_\_\_5) **Attach panel attachment brackets** You will need the four panel attachment brackets (3), four attachment bracket gaskets (4), sixteen self tapping screws (5). Determine the proper placement for the panel attachment brackets. You will need to mock up the panel and Attachment Brackets to determine this. Secure the panel attachment brackets to the posts using the self tapping screws with the attachment bracket gasket between the post and the attachment bracket. (SEE DETAIL A) **TIP: It's easier to install the self-tapping screws if you pre drill the holes in the post with a #7 drill bit by marking the hole locations with a dry erase marker.**

\_\_\_6) **Mark holes:** Once you have all four of the panel attachment brackets installed, locate the panel. With help lift the panel into place and mark the holes in the tab of the panel attachment bracket on the panel. **IT IS EXTREMELY IMPORTANT THAT YOU MAINTAIN A MAXIMUM OF 3 1/2" DISTANCE BETWEEN THE TOP, BOTTOM, OR SIDES OF THE PANEL AND THE NEAREST EDGE OF THE POSTS.**

\_\_\_7) **Drill** a 1/2" hole in the panel at the marks made from the panel attachment brackets



DETAIL A

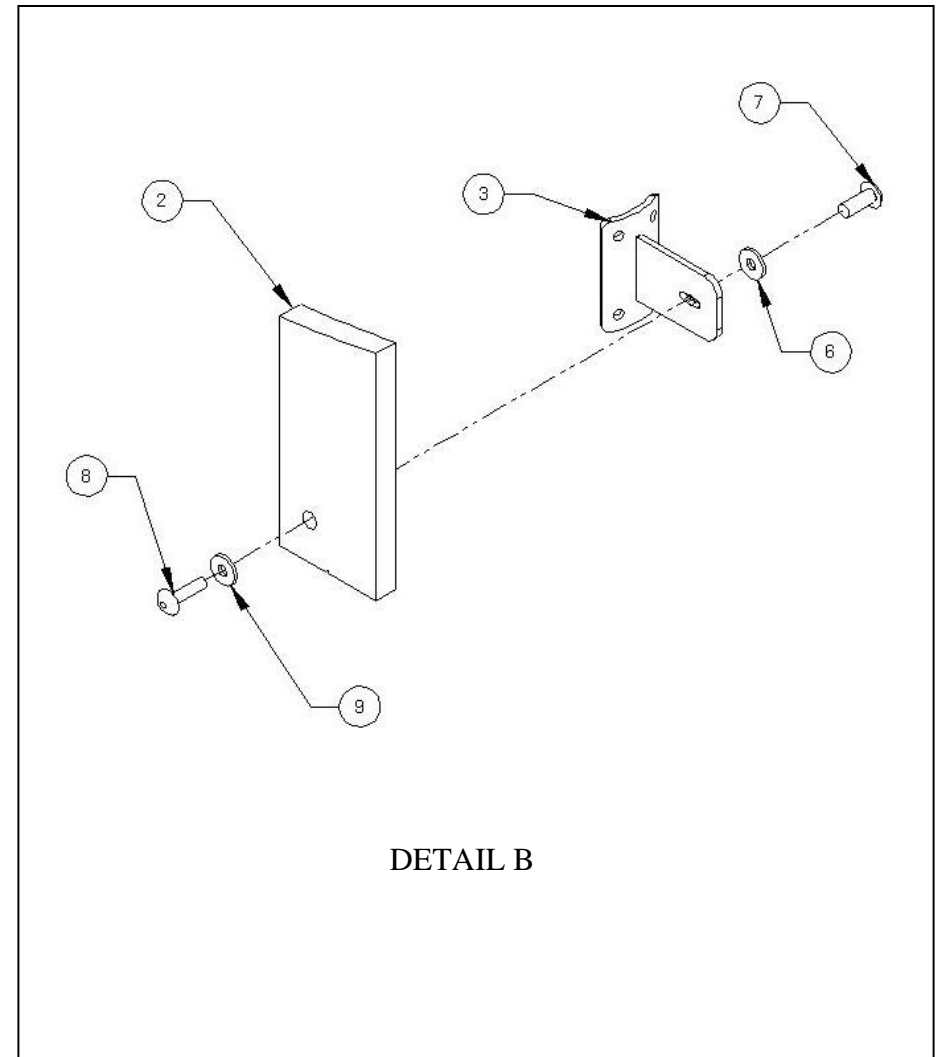
### INSTALLATION STEPS CONTINUED

\_\_7) **Install the panel** Locate the four 5/16" flat washers (6), four 5/16" x 3/4" button head bolt (7), four 5/16" x 1" button head nuts (8), four 3/8" flat washers (9) and locktite. Lift the panel up to the panel attachment brackets and secure it with the hardware listed in this step. (SEE DETAIL B) Tighten all hardware.

\_\_8) Once the entire playground has been installed and you have verified that the Electronic Piano Freestanding Panel is level you can **add the concrete to the footing holes**. Be sure to use concrete with a minimum 2,500 psi and mix the concrete per the manufacturer's directions before you pour it into the footing hole. Once the footing has been filled with concrete you should rope of the area for a minimum of 48 hours to allow the concrete set properly.

\_\_9) **Once the concrete has set**, back fill dirt over the footing holes; inspect the area and components for tools, hazardous debris, and sharp edges. Verify all components are installed and all hardware is tight and then install the safety surfacing.

\_\_10) **Inspect the components** for sharp edges and if necessary file them down and apply touch up paint.



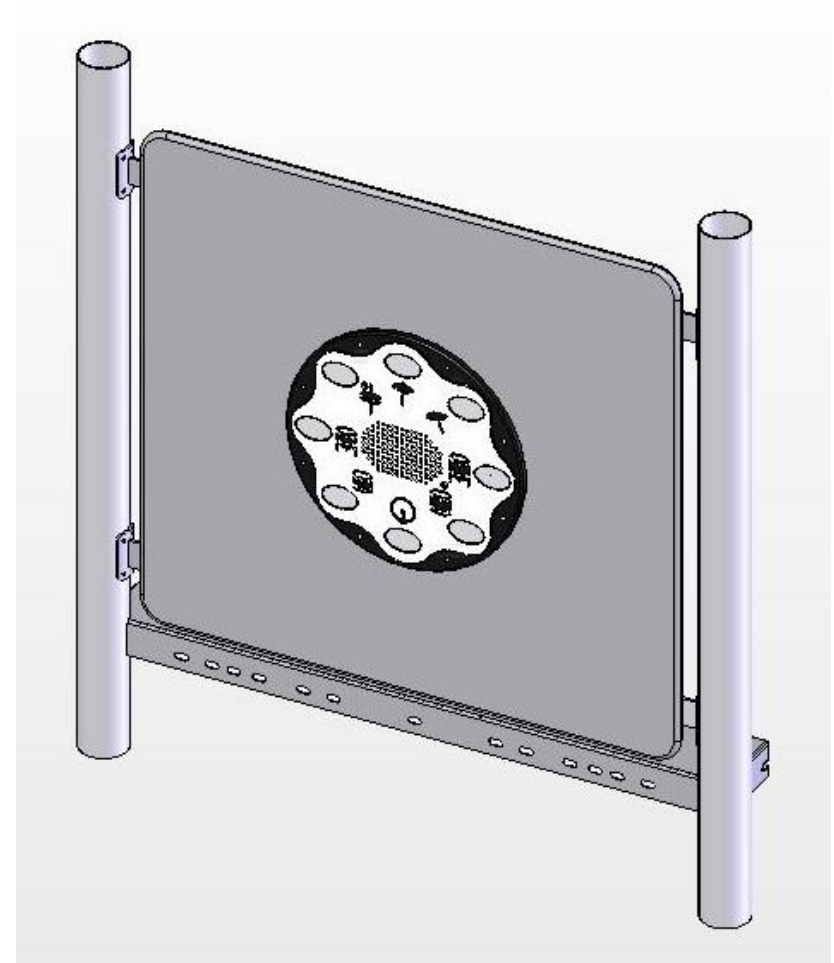
### **INSTALLATION DETAILS**

- Recommended crew (Adult): 2
- Installation time: **1 Hour (2 man hrs)**
- User age: **2-12 Years**
- Use zone: **NA**
- Weight: **51**

**SURFACING: Use of safety surfacing in compliance with ASTM specification F1292 is required.**

### **MAINTENANCE:**

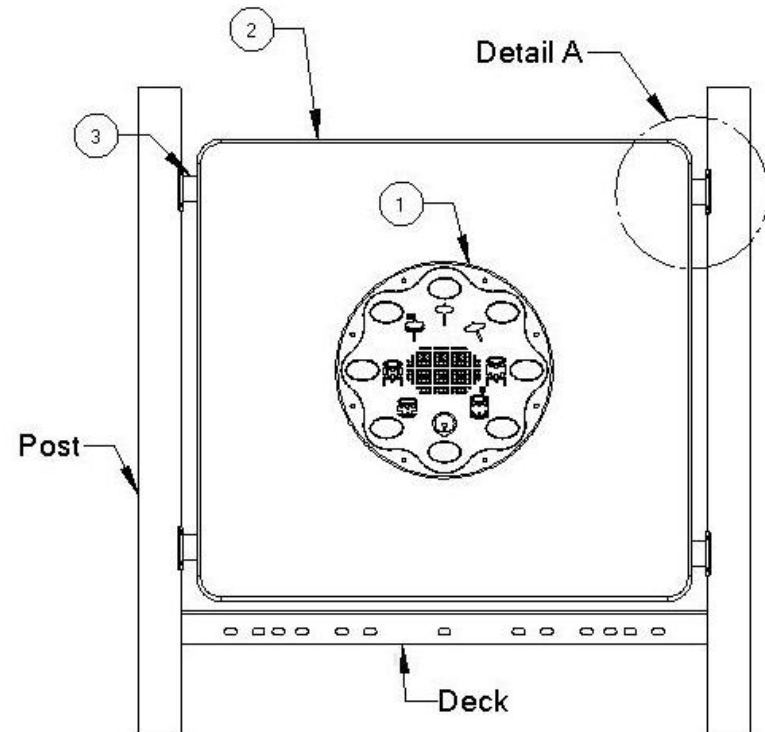
- As the owner of the playground you are responsible for maintenance of the equipment and play area. A maintenance schedule must be developed and the equipment inspected frequently. A maintenance section that includes component specific maintenance requirements is included at the end of this manual.
- Be sure to inspect surfacing for foreign objects that could cause injury and that sufficient surfacing is in place in accordance with ASTM and CPSC standards.



**PARTS LIST**

ID	PART #	DESCRIPTION	QTY
1	905-220	Drum Insert	1
2	913-527	Drum Plastic Panel	1
3	913-417	Panel Attachment Bracket	4
4	905-208	Gasket for Attachment Bracket	4
5	905-526	Self Tapping Screws	16
6	316-501	5/16" Flat Washer	4
7	116-529	5/16"x3/4" Button Head Bolt	4
8	216-512	5/16"x1" Button Head Nut	4
9	316-601	3/8" Flat Washer	4

**NOTE:** Keep a copy of these instructions on file to assist you with maintenance and replacement parts.





### **SPECIFICATIONS**

- Panel- 3/4" HDPE UV stabilized plastic
- Hardware – Stainless steel & tamper resistant
- Attachment Bracket – Powder coated steel

### **SPECIAL SAFETY & ASTM COMPLIANCE NOTES**

**CRITICAL MEASUREMENT** IT IS EXTREMELY IMPORTANT THAT YOU MAINTAIN A MAXIMUM OF 3 1/2" DISTANCE BETWEEN THE TOP, BOTTOM, OR SIDES OF THE PANEL AND THE NEAREST EDGE OF THE DECK OR POSTS.

### **INSTALLATION TIPS & TROUBLE SHOOTING**

- SportsPlay Equipment Inc. recommends pre-drilling the holes in the post when attaching a four-hole bracket with a number #7 drill bit. This will make the attachment of the four-hole bracket with the self-tapping screws easier and it will prevent damage to the screw head during installation.
- Apply locktite to all bolts during assembly prior to completely tightening them.
- Stainless Steel hardware can occasionally be difficult to use particularly if you need to take them out to make an adjustment. It is recommended that you add a drop of oil to bolts that may have to be removed before you install them.
- Do not tighten bolts all the way until the unit is completely assembled and all components are square and level.
- Identify and separate all parts by referencing the detail drawings and the parts list.
- As you unpack and separate the components, use the cardboard sheets that were used for packing and shipping to prevent damage to the components. This is particularly true all Powder Coated and Thermoplastic coated components, by setting the components on top of the cardboard.



### **BEFORE YOU BEGIN**

In addition to the components on the packing list you will need a drill with a 1/2" drill bit and a dry erase marker ----.

### **INSTALLATION STEPS**

**\_\_1) Review all instructions before beginning**

**\_\_2) Unpack, organize, and identify all components.** Be sure to place all painted components on a protective surface (cardboard, cloth, etc...) to prevent damage.

**\_\_3) Locate placement of panel** Refer to the overhead drawing in your instruction booklet. If the panel is to be installed above deck then you must make sure the top of the panel is 38" above the top of the deck surface. If it is to be installed below the deck then make sure that the gap between the bottom of the deck edge and top of panel is either less than 3 1/2" or more than 9". This will eliminate any possible head and neck entrapments.

**CRITICAL MEASUREMENT** IT IS EXTREMELY IMPORTANT THAT YOU MAINTAIN A MAXIMUM OF 3 1/2" DISTANCE BETWEEN THE TOP, BOTTOM, OR SIDES OF THE PANEL AND THE NEAREST EDGE OF THE DECK OR POSTS.

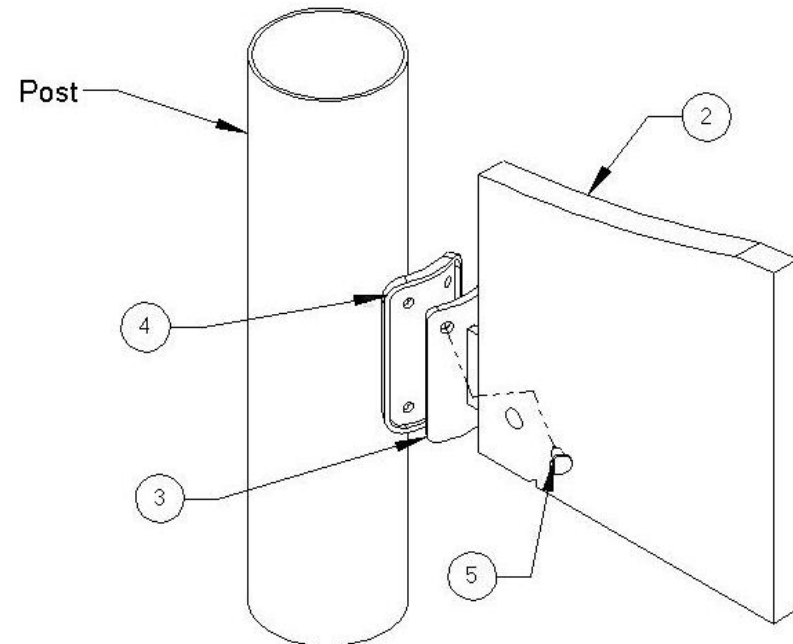


### INSTALLATION STEPS CONTINUED

\_\_\_4) **Attach panel attachment brackets** You will need the four panel attachment brackets (3), four attachment bracket gaskets (4), sixteen self tapping screws (5). Determine the proper placement for the panel attachment brackets. (This will vary with different deck heights and locations). You will need to mock up the panel and Attachment Brackets to determine this. Secure the panel attachment brackets to the posts using the self tapping screws with the attachment bracket gasket between the post and the attachment bracket. (SEE DETAIL A) **TIP: It's easier to install the self-tapping screws if you pre drill the holes in the post with a #7 drill bit by marking the hole locations with a dry erase marker**

\_\_\_5) **Mark holes:** Once you have all four of the panel attachment brackets installed, locate the panel. With help lift the panel into place and mark the holes in the tab of the panel attachment bracket on the panel. IT IS EXTREMELY IMPORTANT THAT YOU MAINTAIN A MAXIMUM OF 3 1/2" DISTANCE BETWEEN THE TOP, BOTTOM, OR SIDES OF THE PANEL AND THE NEAREST EDGE OF THE DECK OR POSTS.

\_\_\_6) **Drill** a 1/2" hole in the panel at the marks made from the panel attachment brackets

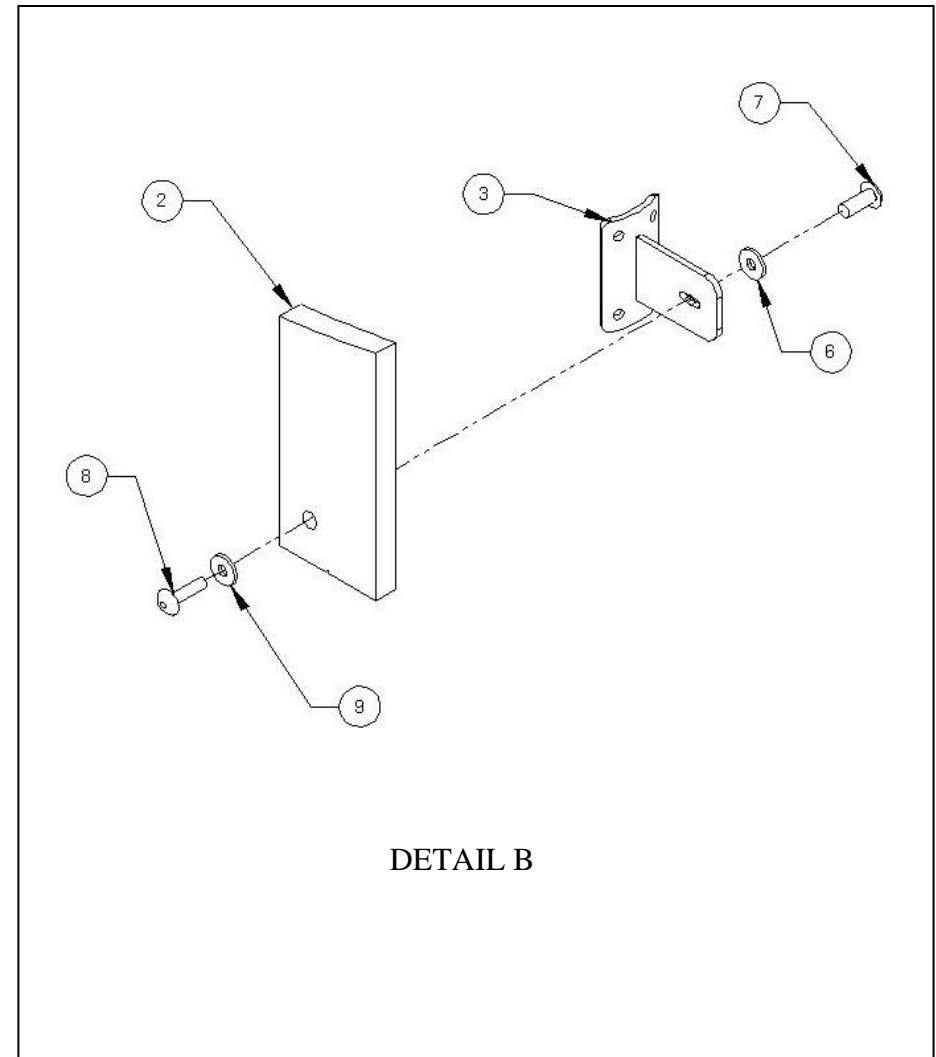


DETAIL A

### **INSTALLATION STEPS CONTINUED**

**\_\_7) Install the panel** Locate the four 5/16" flat washers (6), four 5/16" x 3/4" button head bolt (7), four 5/16" x 1" button head nuts (8), four 3/8" flat washers (9) and locktite. Lift the panel up to the panel attachment brackets and secure it with the hardware listed in this step. (SEE DETAIL B) Tighten all hardware.

**\_\_8) Inspect the components** for sharp edges and if necessary file them down and apply touch up paint.



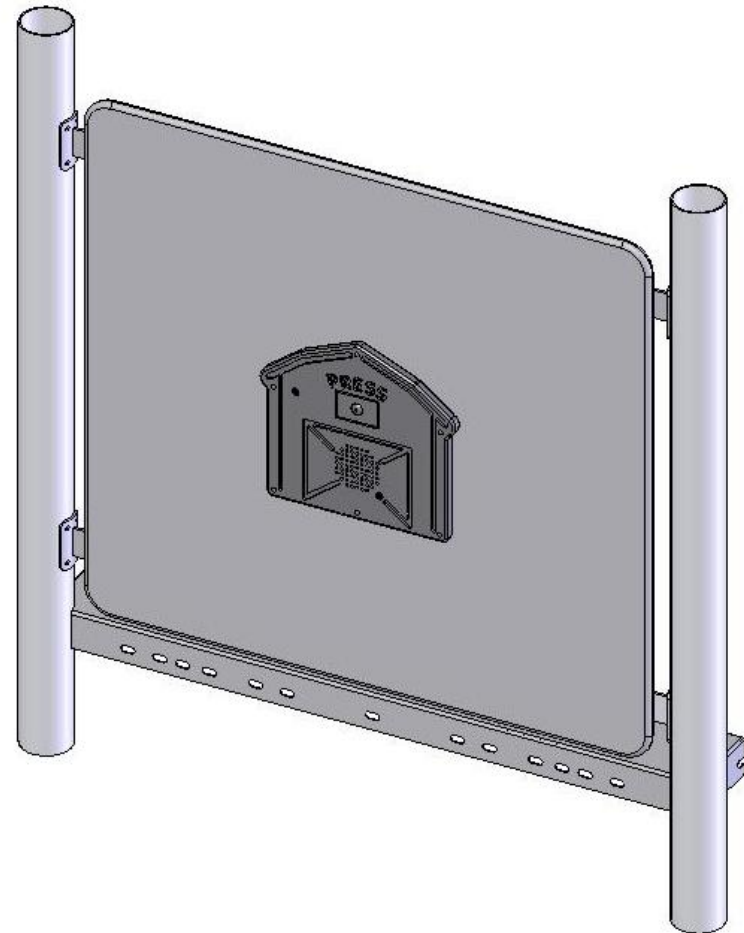
#### **INSTALLATION DETAILS**

- Recommended crew (Adult): 2
- Installation time: **1 Hour (2 man hrs)**
- User age: **2-12 Years**
- Use zone: **NA**
- Weight: **51**

**SURFACING: Use of safety surfacing in compliance with ASTM specification F1292 is required.**

#### **MAINTENANCE:**

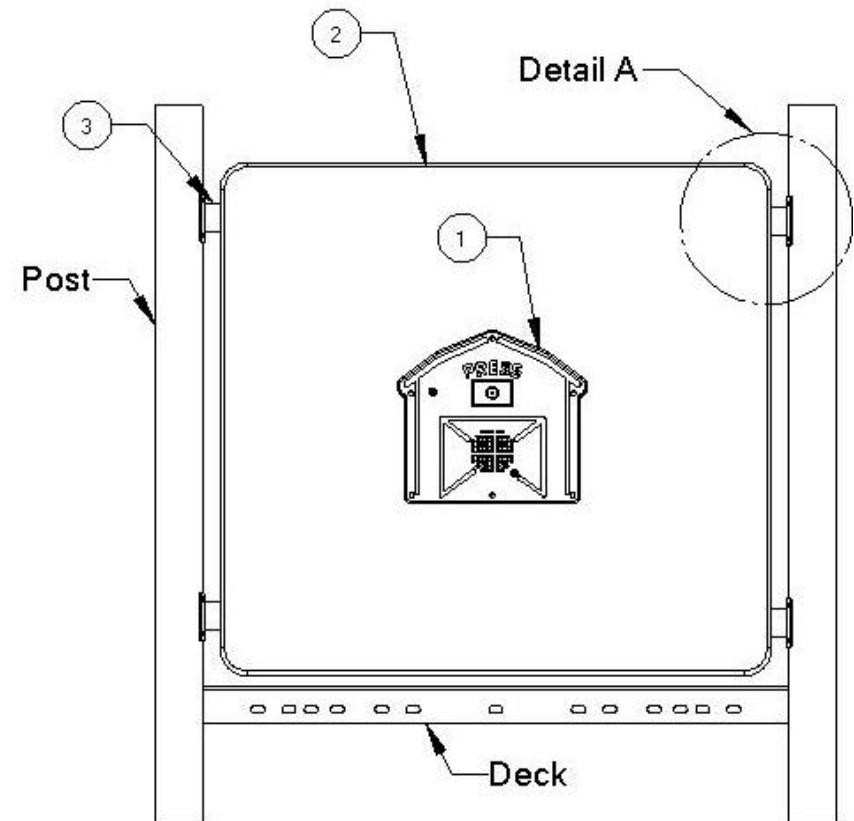
- As the owner of the playground you are responsible for maintenance of the equipment and play area. A maintenance schedule must be developed and the equipment inspected frequently. A maintenance section that includes component specific maintenance requirements is included at the end of this manual.
- Be sure to inspect surfacing for foreign objects that could cause injury and that sufficient surfacing is in place in accordance with ASTM and CPSC standards.



**PARTS LIST**

ID	PART #	DESCRIPTION	QTY
1	905-221	Electronic Sunny Side Farm Insert	1
2	913-528	Electronic Sunny Side Farm Plastic Panel	1
3	913-417	Panel Attachment Bracket	4
4	905-208	Gasket for Attachment Bracket	4
5	905-526	Self Tapping Screws	16
6	316-501	5/16" Flat Washer	4
7	116-529	5/16"x3/4" Button Head Bolt	4
8	216-512	5/16"x1" Button Head Bolt	4
9	316-601	3/8" Flat Washer	4

**NOTE:** Keep a copy of these instructions on file to assist you with maintenance and replacement parts.





### **SPECIFICATIONS**

- Panel- 3/4" HDPE UV stabilized plastic
- Hardware – Stainless steel & tamper resistant
- Attachment Bracket – Powder coated steel

### **SPECIAL SAFETY & ASTM COMPLIANCE NOTES**

***CRITICAL MEASUREMENT*** IT IS EXTREMELY IMPORTANT THAT YOU MAINTAIN A MAXIMUM OF 3 1/2" DISTANCE BETWEEN THE TOP, BOTTOM, OR SIDES OF THE PANEL AND THE NEAREST EDGE OF THE DECK OR POSTS.

### **INSTALLATION TIPS & TROUBLE SHOOTING**

- SportsPlay Equipment Inc. recommends pre-drilling the holes in the post when attaching a four-hole bracket with a number #7 drill bit. This will make the attachment of the four-hole bracket with the self-tapping screws easier and it will prevent damage to the screw head during installation.
- Apply locktite to all bolts during assembly prior to completely tightening them.
- Stainless Steel hardware can occasionally be difficult to use particularly if you need to take them out to make an adjustment. It is recommended that you add a drop of oil to bolts that may have to be removed before you install them.
- Do not tighten bolts all the way until the unit is completely assembled and all components are square and level.
- Identify and separate all parts by referencing the detail drawings and the parts list.
- As you unpack and separate the components, use the cardboard sheets that were used for packing and shipping to prevent damage to the components. This is particularly true all Powder Coated and Thermoplastic coated components, by setting the components on top of the cardboard.



### **BEFORE YOU BEGIN**

In addition to the components on the packing list you will need a drill with a 1/2" drill bit and a dry erase marker ----.

### **INSTALLATION STEPS**

**\_\_1) Review all instructions before beginning**

**\_\_2) Unpack, organize, and identify all components.** Be sure to place all painted components on a protective surface (cardboard, cloth, etc...) to prevent damage.

**\_\_3) Locate placement of panel** Refer to the overhead drawing in your instruction booklet. If the panel is to be installed above deck then you must make sure the top of the panel is 38" above the top of the deck surface. If it is to be installed below the deck then make sure that the gap between the bottom of the deck edge and top of panel is either less than 3 1/2" or more than 9". This will eliminate any possible head and neck entrapments.

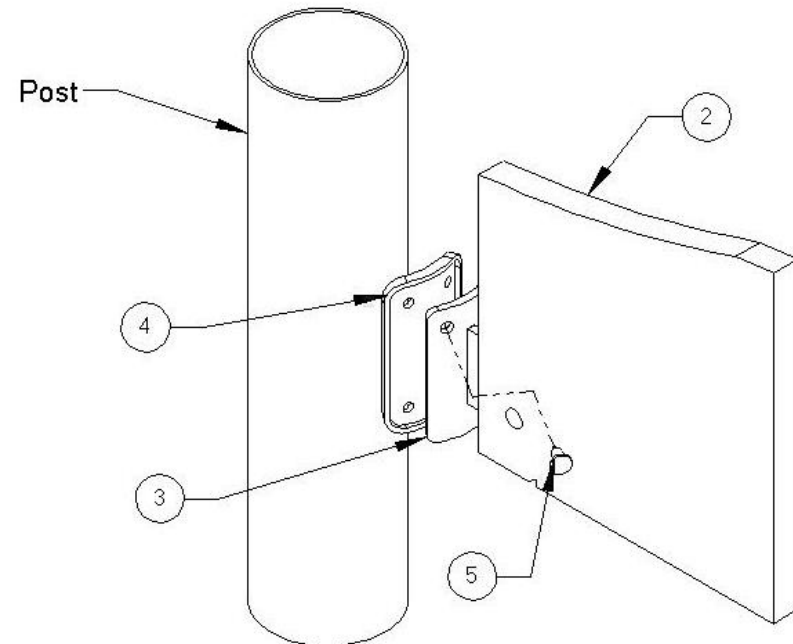
**CRITICAL MEASUREMENT** IT IS EXTREMELY IMPORTANT THAT YOU MAINTAIN A MAXIMUM OF 3 1/2" DISTANCE BETWEEN THE TOP, BOTTOM, OR SIDES OF THE PANEL AND THE NEAREST EDGE OF THE DECK OR POSTS.

### INSTALLATION STEPS CONTINUED

\_\_\_4) **Attach panel attachment brackets** You will need the four panel attachment brackets (3), four attachment bracket gaskets (4), sixteen self tapping screws (5). Determine the proper placement for the panel attachment brackets. (This will vary with different deck heights and locations). You will need to mock up the panel and Attachment Brackets to determine this. Secure the panel attachment brackets to the posts using the self tapping screws with the attachment bracket gasket between the post and the attachment bracket. (SEE DETAIL A) **TIP: It's easier to install the self-tapping screws if you pre drill the holes in the post with a #7 drill bit by marking the hole locations with a dry erase marker**

\_\_\_5) **Mark holes:** Once you have all four of the panel attachment brackets installed, locate the panel. With help lift the panel into place and mark the holes in the tab of the panel attachment bracket on the panel. IT IS EXTREMELY IMPORTANT THAT YOU MAINTAIN A MAXIMUM OF 3 1/2" DISTANCE BETWEEN THE TOP, BOTTOM, OR SIDES OF THE PANEL AND THE NEAREST EDGE OF THE DECK OR POSTS.

\_\_\_6) **Drill** a 1/2" hole in the panel at the marks made from the panel attachment brackets

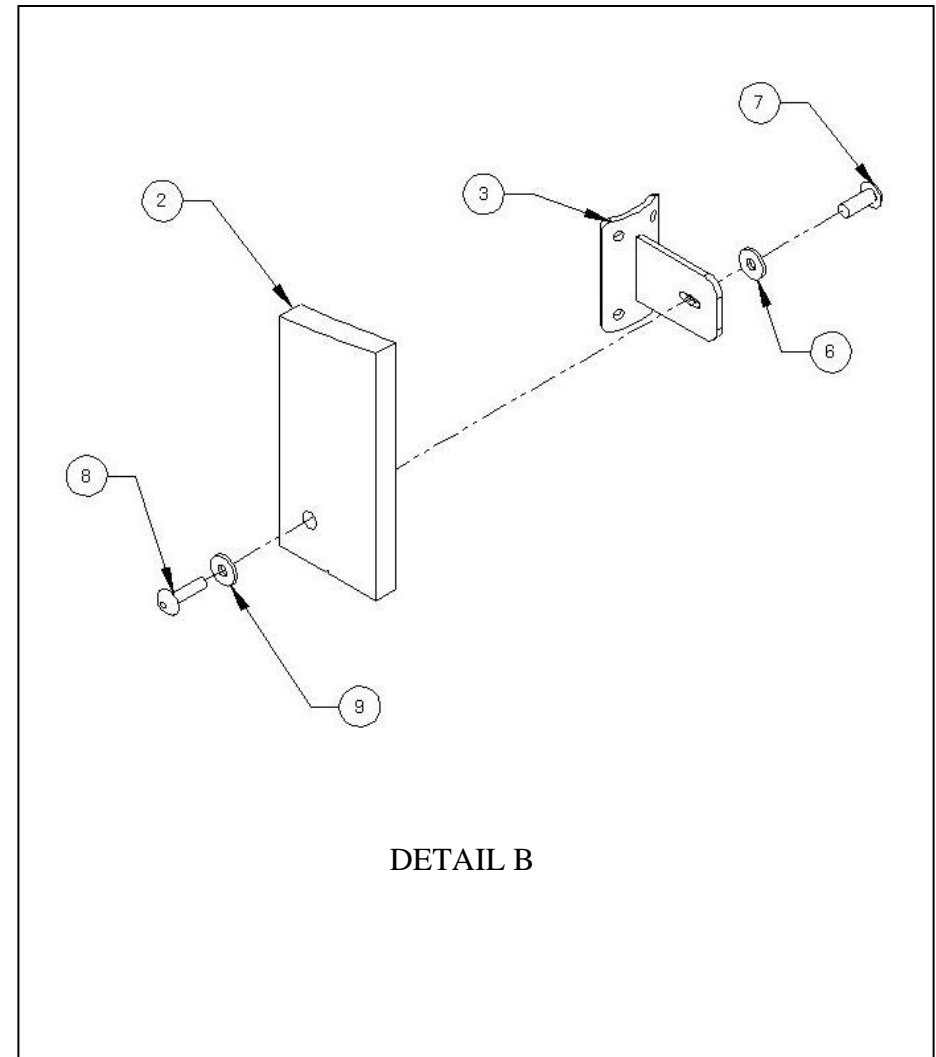


DETAIL A

**INSTALLATION STEPS CONTINUED**

\_\_7) **Install the panel** Locate the four 5/16" flat washers (6), four 5/16" x 3/4" button head bolt (7), four 5/16" x 1" button head nuts (8), four 3/8" flat washers (9) and locktite. Lift the panel up to the panel attachment brackets and secure it with the hardware listed in this step. (SEE DETAIL B) Tighten all hardware.

\_\_8) **Inspect the components** for sharp edges and if necessary file them down and apply touch up paint.





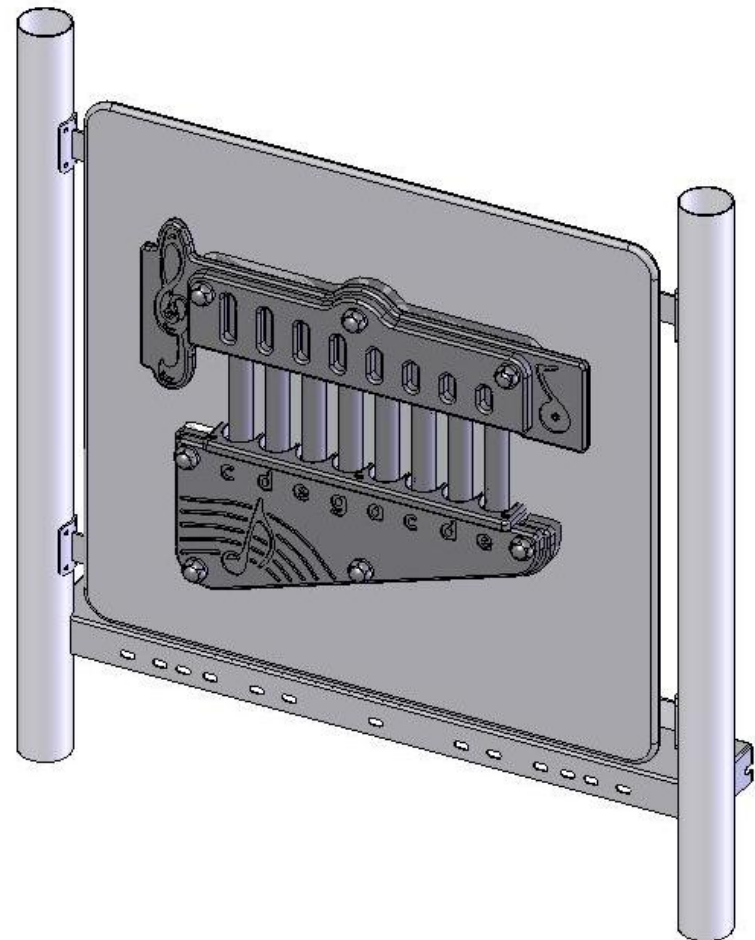
### **INSTALLATION DETAILS**

- Recommended crew (Adult): 2
- Installation time: **1 Hour (2 man hrs)**
- User age: **2-12 Years**
- Use zone: **NA**
- Weight: **51**

**SURFACING: Use of safety surfacing in compliance with ASTM specification F1292 is required.**

### **MAINTENANCE:**

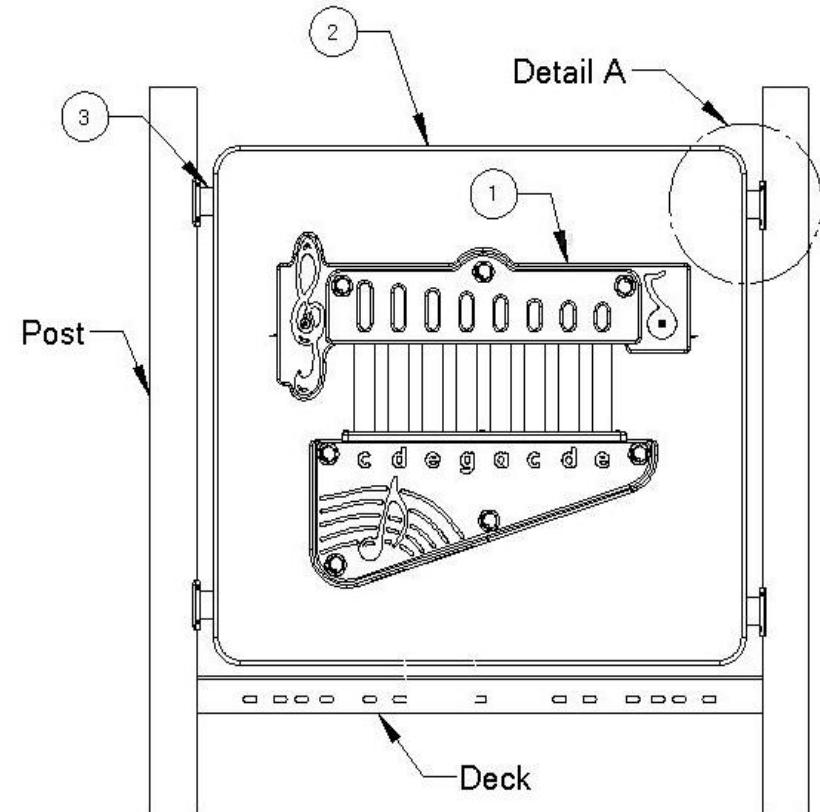
- As the owner of the playground you are responsible for maintenance of the equipment and play area. A maintenance schedule must be developed and the equipment inspected frequently. A maintenance section that includes component specific maintenance requirements is included at the end of this manual.
- Be sure to inspect surfacing for foreign objects that could cause injury and that sufficient surfacing is in place in accordance with ASTM and CPSC standards.



**PARTS LIST**

ID	PART #	DESCRIPTION	QTY
1	905-224	Beaterless Chime Panel Insert	1
2	913-531	Beaterless Chime Plastic Panel	1
3	913-417	Panel Attachment Bracket	4
4	905-208	Gasket for Attachment Bracket	4
5	905-526	Self Tapping Screws	16
6	316-501	5/16" Flat Washer	4
7	116-529	5/16"x3/4" Button Head Bolt	4
8	216-512	5/16"x1" Button Head Bolt	4
9	316-601	3/8" Flat Washer	4

**NOTE:** Keep a copy of these instructions on file to assist you with maintenance and replacement parts.





### **SPECIFICATIONS**

- Panel- 3/4" HDPE UV stabilized plastic
- Hardware – Stainless steel & tamper resistant
- Attachment Bracket – Powder coated steel

### **SPECIAL SAFETY & ASTM COMPLIANCE NOTES**

***CRITICAL MEASUREMENT*** IT IS EXTREMELY IMPORTANT THAT YOU MAINTAIN A MAXIMUM OF 3 1/2" DISTANCE BETWEEN THE TOP, BOTTOM, OR SIDES OF THE PANEL AND THE NEAREST EDGE OF THE DECK OR POSTS.

### **INSTALLATION TIPS & TROUBLE SHOOTING**

- SportsPlay Equipment Inc. recommends pre-drilling the holes in the post when attaching a four-hole bracket with a number #7 drill bit. This will make the attachment of the four-hole bracket with the self-tapping screws easier and it will prevent damage to the screw head during installation.
- Apply locktite to all bolts during assembly prior to completely tightening them.
- Stainless Steel hardware can occasionally be difficult to use particularly if you need to take them out to make an adjustment. It is recommended that you add a drop of oil to bolts that may have to be removed before you install them.
- Do not tighten bolts all the way until the unit is completely assembled and all components are square and level.
- Identify and separate all parts by referencing the detail drawings and the parts list.
- As you unpack and separate the components, use the cardboard sheets that were used for packing and shipping to prevent damage to the components. This is particularly true all Powder Coated and Thermoplastic coated components, by setting the components on top of the cardboard.



**BEFORE YOU BEGIN**

In addition to the components on the packing list you will need a drill with a 1/2" drill bit and a dry erase marker ----.

**INSTALLATION STEPS**

**\_\_1) Review all instructions before beginning**

**\_\_2) Unpack, organize, and identify all components.** Be sure to place all painted components on a protective surface (cardboard, cloth, etc...) to prevent damage.

**\_\_3) Locate placement of panel** Refer to the overhead drawing in your instruction booklet. If the panel is to be installed above deck then you must make sure the top of the panel is 38" above the top of the deck surface. If it is to be installed below the deck then make sure that the gap between the bottom of the deck edge and top of panel is either less than 3 1/2" or more than 9". This will eliminate any possible head and neck entrapments.

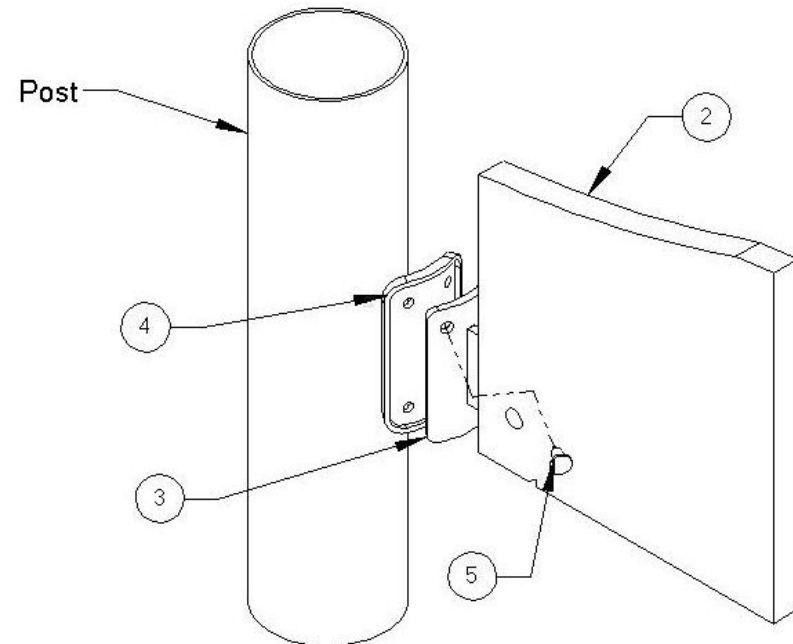
**CRITICAL MEASUREMENT** IT IS EXTREMELY IMPORTANT THAT YOU MAINTAIN A MAXIMUM OF 3 1/2" DISTANCE BETWEEN THE TOP, BOTTOM, OR SIDES OF THE PANEL AND THE NEAREST EDGE OF THE DECK OR POSTS.

### INSTALLATION STEPS CONTINUED

\_\_\_4) **Attach panel attachment brackets** You will need the four panel attachment brackets (3), four attachment bracket gaskets (4), sixteen self tapping screws (5). Determine the proper placement for the panel attachment brackets. (This will vary with different deck heights and locations). You will need to mock up the panel and Attachment Brackets to determine this. Secure the panel attachment brackets to the posts using the self tapping screws with the attachment bracket gasket between the post and the attachment bracket. (SEE DETAIL A) **TIP: It's easier to install the self-tapping screws if you pre drill the holes in the post with a #7 drill bit by marking the hole locations with a dry erase marker**

\_\_\_5) **Mark holes:** Once you have all four of the panel attachment brackets installed, locate the panel. With help lift the panel into place and mark the holes in the tab of the panel attachment bracket on the panel. IT IS EXTREMELY IMPORTANT THAT YOU MAINTAIN A MAXIMUM OF 3 1/2" DISTANCE BETWEEN THE TOP, BOTTOM, OR SIDES OF THE PANEL AND THE NEAREST EDGE OF THE DECK OR POSTS.

\_\_\_6) **Drill** a 1/2" hole in the panel at the marks made from the panel attachment brackets

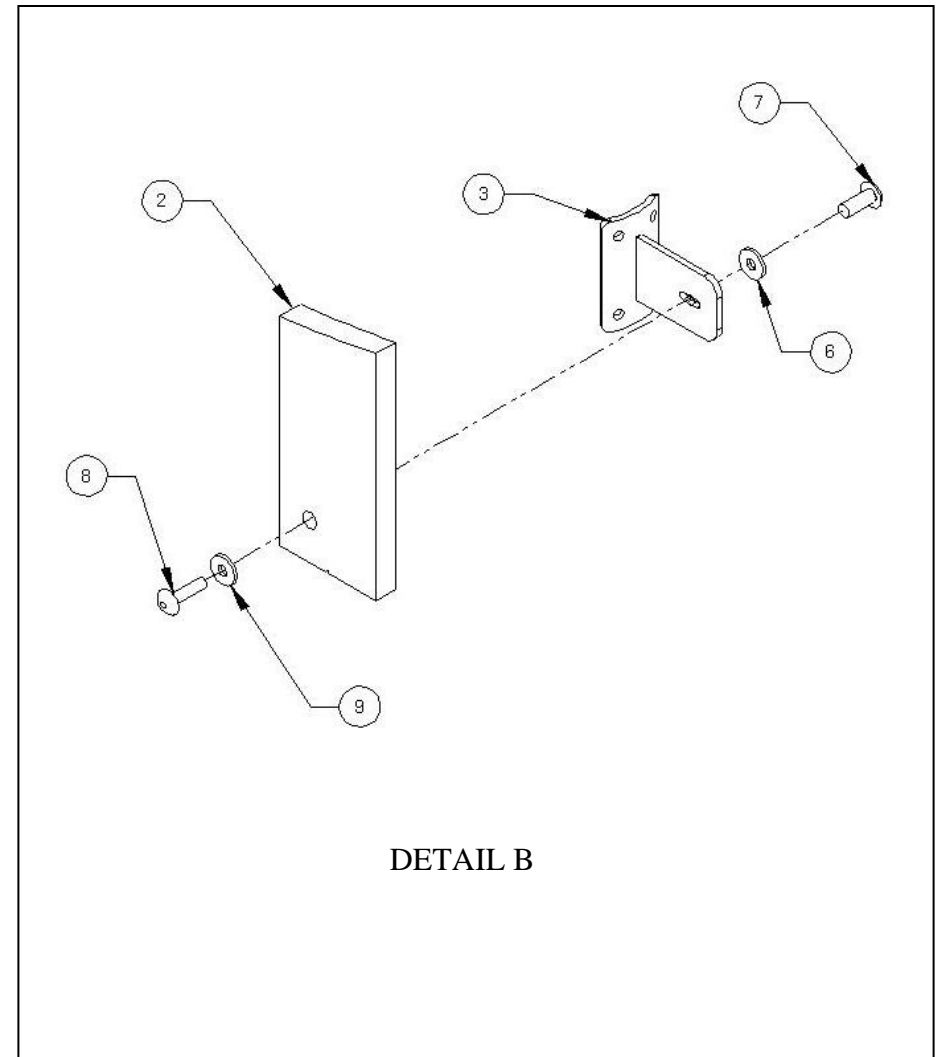


DETAIL A

**INSTALLATION STEPS CONTINUED**

\_\_7) **Install the panel** Locate the four 5/16" flat washers (6), four 5/16" x 3/4" button head bolt (7), four 5/16" x 1" button head nuts (8), four 3/8" flat washers (9) and locktite. Lift the panel up to the panel attachment brackets and secure it with the hardware listed in this step. (SEE DETAIL B) Tighten all hardware.

\_\_8) **Inspect the components** for sharp edges and if necessary file them down and apply touch up paint.



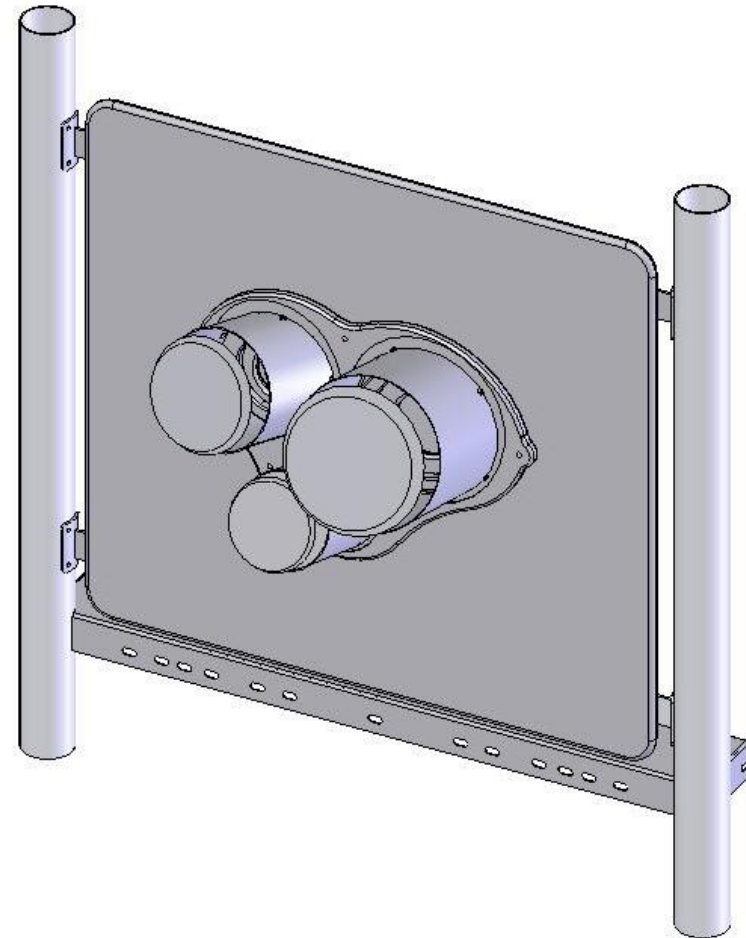
#### **INSTALLATION DETAILS**

- Recommended crew (Adult): 2
- Installation time: **1 Hour (2 man hrs)**
- User age: **2-12 Years**
- Use zone: **NA**
- Weight: **51**

**SURFACING: Use of safety surfacing in compliance with ASTM specification F1292 is required.**

#### **MAINTENANCE:**

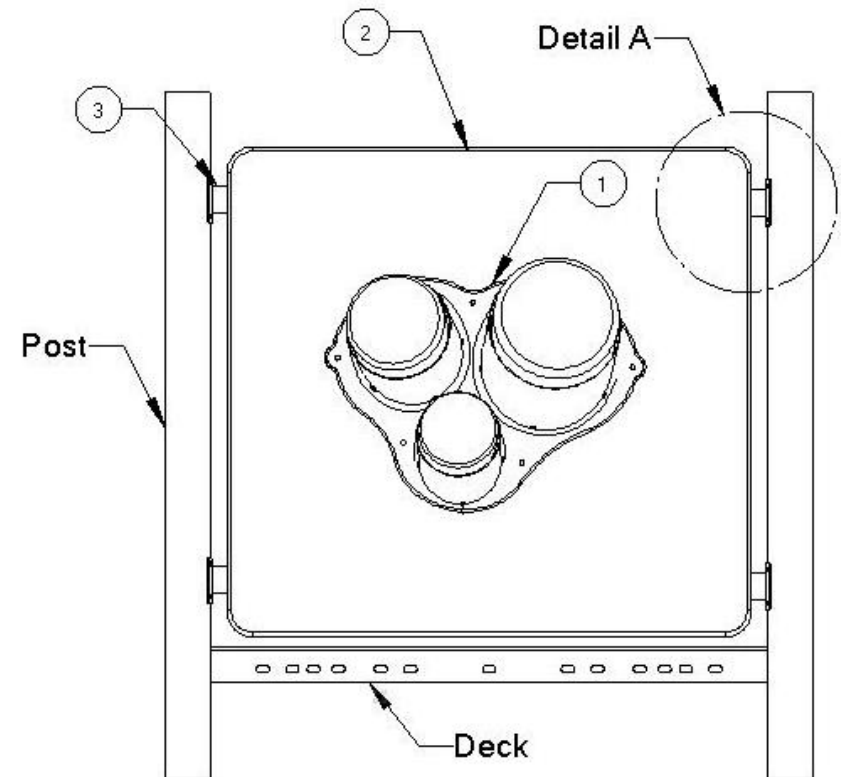
- As the owner of the playground you are responsible for maintenance of the equipment and play area. A maintenance schedule must be developed and the equipment inspected frequently. A maintenance section that includes component specific maintenance requirements is included at the end of this manual.
- Be sure to inspect surfacing for foreign objects that could cause injury and that sufficient surfacing is in place in accordance with ASTM and CPSC standards.



**PARTS LIST**

ID	PART #	DESCRIPTION	QTY
1	905-225	Bongos Insert	1
2	913-532F	Bongos Plastic Panel	1
3	913-417	Panel Attachment Bracket	4
4	905-208	Gasket for Attachment Bracket	4
5	905-526	Self Tapping Screws	16
6	316-501	5/16" Flat Washer	4
7	116-529	5/16"x3/4" Button Head Bolt	4
8	216-512	5/16"x1" Button Head Bolt	4
9	316-601	3/8" Flat Washer	4

**NOTE:** Keep a copy of these instructions on file to assist you with maintenance and replacement parts.







### **SPECIFICATIONS**

- Panel- 3/4" HDPE UV stabilized plastic
- Hardware – Stainless steel & tamper resistant
- Attachment Bracket – Powder coated steel

### **SPECIAL SAFETY & ASTM COMPLIANCE NOTES**

***CRITICAL MEASUREMENT*** IT IS EXTREMELY IMPORTANT THAT YOU MAINTAIN A MAXIMUM OF 3 1/2" DISTANCE BETWEEN THE TOP, BOTTOM, OR SIDES OF THE PANEL AND THE NEAREST EDGE OF THE DECK OR POSTS.

### **INSTALLATION TIPS & TROUBLE SHOOTING**

- SportsPlay Equipment Inc. recommends pre-drilling the holes in the post when attaching a four-hole bracket with a number #7 drill bit. This will make the attachment of the four-hole bracket with the self-tapping screws easier and it will prevent damage to the screw head during installation.
- Apply locktite to all bolts during assembly prior to completely tightening them.
- Stainless Steel hardware can occasionally be difficult to use particularly if you need to take them out to make an adjustment. It is recommended that you add a drop of oil to bolts that may have to be removed before you install them.
- Do not tighten bolts all the way until the unit is completely assembled and all components are square and level.
- Identify and separate all parts by referencing the detail drawings and the parts list.
- As you unpack and separate the components, use the cardboard sheets that were used for packing and shipping to prevent damage to the components. This is particularly true all Powder Coated and Thermoplastic coated components, by setting the components on top of the cardboard.



### **BEFORE YOU BEGIN**

In addition to the components on the packing list you will need a drill with a 1/2" drill bit and a dry erase marker ----.

### **INSTALLATION STEPS**

\_\_1) **Review all instructions before beginning**

\_\_2) **Unpack, organize, and identify all components.** Be sure to place all painted components on a protective surface (cardboard, cloth, etc...) to prevent damage.

\_\_3) **Locate placement of panel** Refer to the overhead drawing in your instruction booklet. If the panel is to be installed above deck then you must make sure the top of the panel is 38" above the top of the deck surface. If it is to be installed below the deck then make sure that the gap between the bottom of the deck edge and top of panel is either less than 3 1/2" or more than 9". This will eliminate any possible head and neck entrapments.

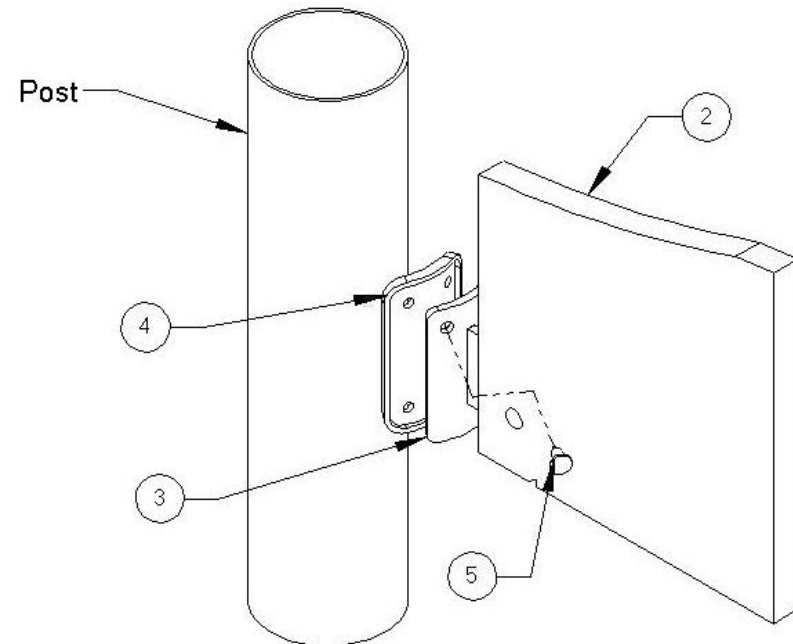
**CRITICAL MEASUREMENT** IT IS EXTREMELY IMPORTANT THAT YOU MAINTAIN A MAXIMUM OF 3 1/2" DISTANCE BETWEEN THE TOP, BOTTOM, OR SIDES OF THE PANEL AND THE NEAREST EDGE OF THE DECK OR POSTS.

### INSTALLATION STEPS CONTINUED

\_\_\_4) **Attach panel attachment brackets** You will need the four panel attachment brackets (3), four attachment bracket gaskets (4), sixteen self tapping screws (5). Determine the proper placement for the panel attachment brackets. (This will vary with different deck heights and locations). You will need to mock up the panel and Attachment Brackets to determine this. Secure the panel attachment brackets to the posts using the self tapping screws with the attachment bracket gasket between the post and the attachment bracket. (SEE DETAIL A) **TIP: It's easier to install the self-tapping screws if you pre drill the holes in the post with a #7 drill bit by marking the hole locations with a dry erase marker**

\_\_\_5) **Mark holes:** Once you have all four of the panel attachment brackets installed, locate the panel. With help lift the panel into place and mark the holes in the tab of the panel attachment bracket on the panel. IT IS EXTREMELY IMPORTANT THAT YOU MAINTAIN A MAXIMUM OF 3 1/2" DISTANCE BETWEEN THE TOP, BOTTOM, OR SIDES OF THE PANEL AND THE NEAREST EDGE OF THE DECK OR POSTS.

\_\_\_6) **Drill** a 1/2" hole in the panel at the marks made from the panel attachment brackets



DETAIL A

### INSTALLATION STEPS CONTINUED

\_\_7) **Install the panel** Locate the four 5/16" flat washers (6), four 5/16" x 3/4" button head bolt (7), four 5/16" x 1" button head nuts (8), four 3/8" flat washers (9) and locktite. Lift the panel up to the panel attachment brackets and secure it with the hardware listed in this step. (SEE DETAIL B) Tighten all hardware.

\_\_8) **Inspect the components** for sharp edges and if necessary file them down and apply touch up paint.

