

# ***Dignity Lifts - Toilet Lifts Helper Lift - HL1***

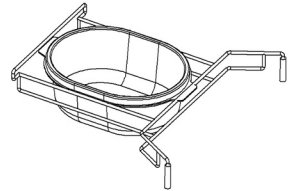
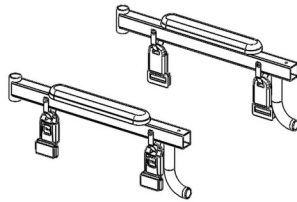
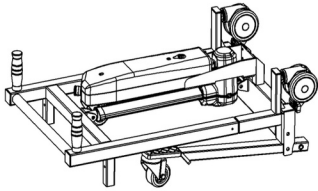


***Assembly & Owner's Manual***

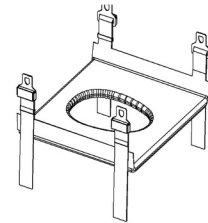
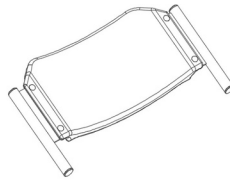
# Dignity Lifts - Toilet Lifts Helper Lift - HL1

## Unpacking - Parts List

Before assembling the lift, please make sure you have all of the parts needed. Here is a list.



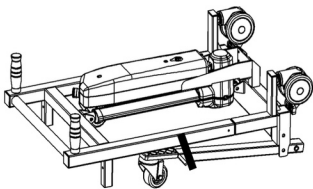
Contents: Lift frame - 1, armrests - (1 left, 1 right), commode rack and bucket - 1 each



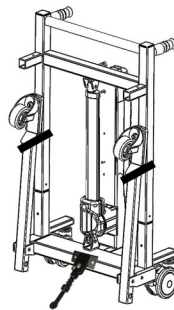
Contents: power cord, Assembly pins - 2 long, 2 shorter, backrest, toileting sling (2 included)

## Installation

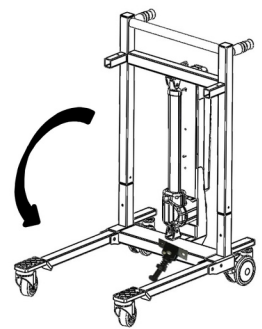
Follow these steps to assemble your Helper Lift.



Step 1 - Lift the frame out of the carton and set it down as shown.



Step 2 - Lift the frame out of the carton and set it down as shown.



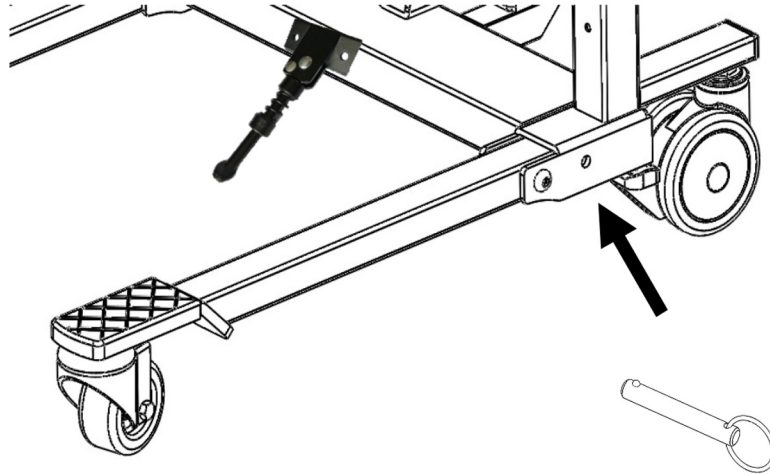
Step 3 - Fold down the support legs.

**Assembly & Owner's Manual**

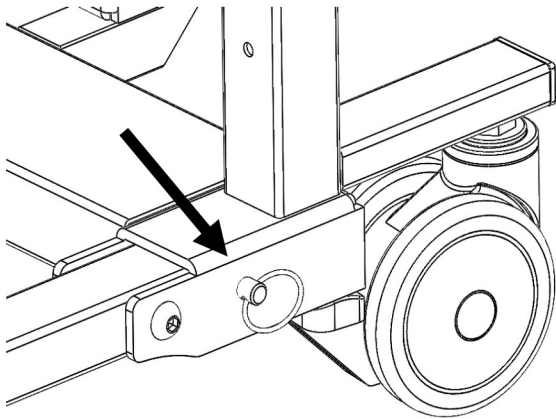
# Dignity Lifts - Toilet Lifts Helper Lift - HL1

## Installation (continued)

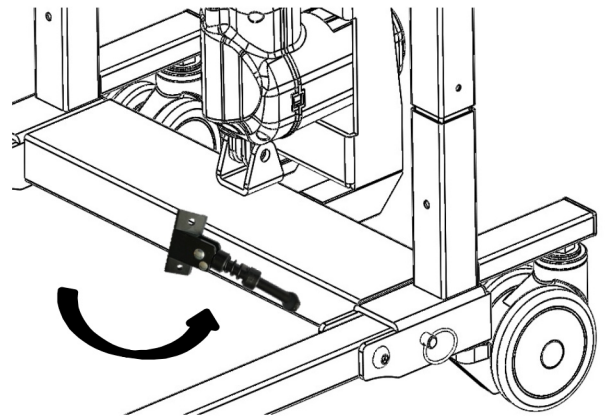
Follow these steps to assemble your Helper Lift.



**Step 4 -** Insert the long pins into the side hole and through the holes in the leg.



**Step 5 -** Repeat for the other side/leg.

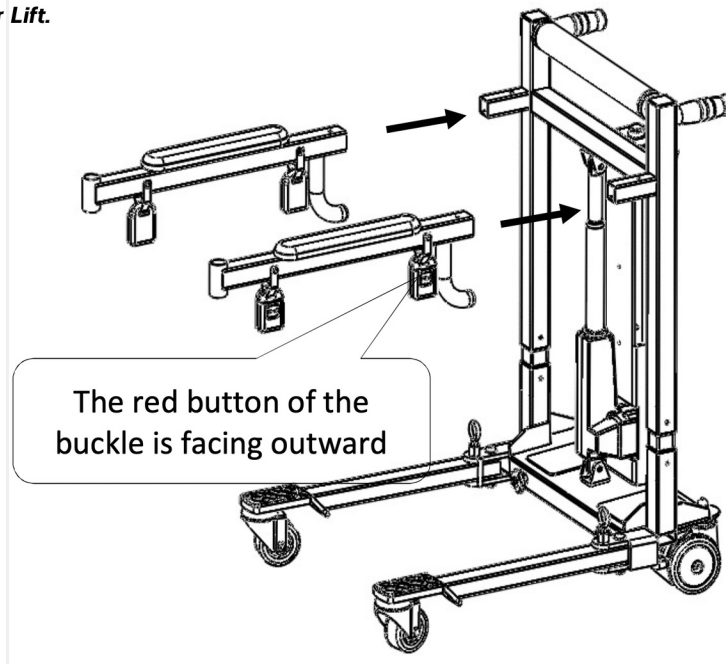


**Step 6 -** Lift the kick stand.

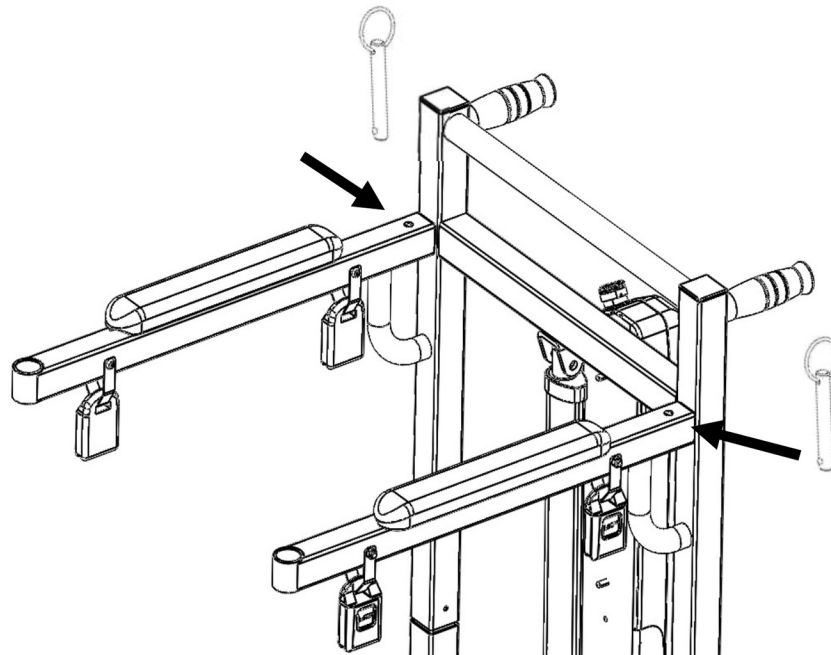
# Dignity Lifts - Toilet Lifts Helper Lift - HL1

## Installation (continued)

Follow these steps to assemble your Helper Lift.



**Step 7 - Insert the arms.** The arms should be inserted so that the red buttons of the buckles face outward. If the red buttons don't face outward, switch the arms with each other.

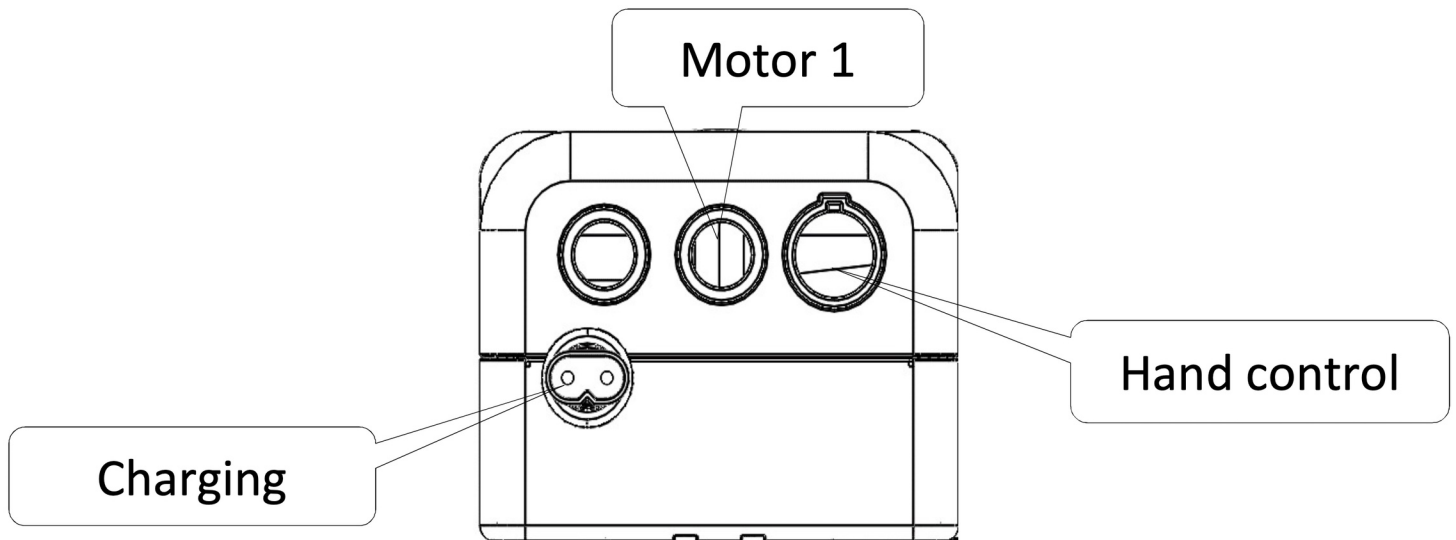


**Step 8 - Insert the shorter pins into the arms vertically.**

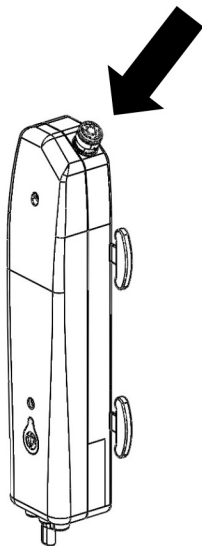
# Dignity Lifts - Toilet Lifts Helper Lift - HL1

## Installation (continued)

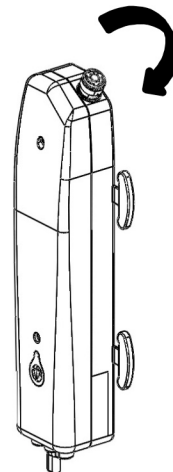
Follow these steps to assemble your Helper Lift.



**Step 9 - Connecting the electrical connectors.** The electrical connectors plug into the bottom of the battery pack. They can be a little difficult to reach, but this location allows the lift to keep them dry more easily. The motor should plug into the center. The controller to one side and the pigtail coming from the battery pack uses a cord to plug into the wall for charging.



**Step 10 - Before charging the battery, push in the red "battery disconnect button".** This will isolate the battery so you can charge it. Charging takes 4 hours.

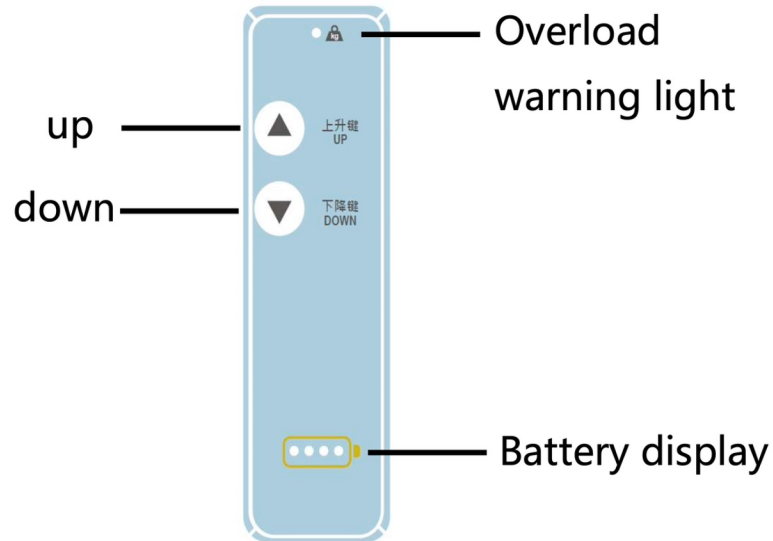


**Step 11 - When ready to use the lift, rotate the battery disconnect button clockwise to reconnect the battery.** A full battery should provide approximately 100 lifts.

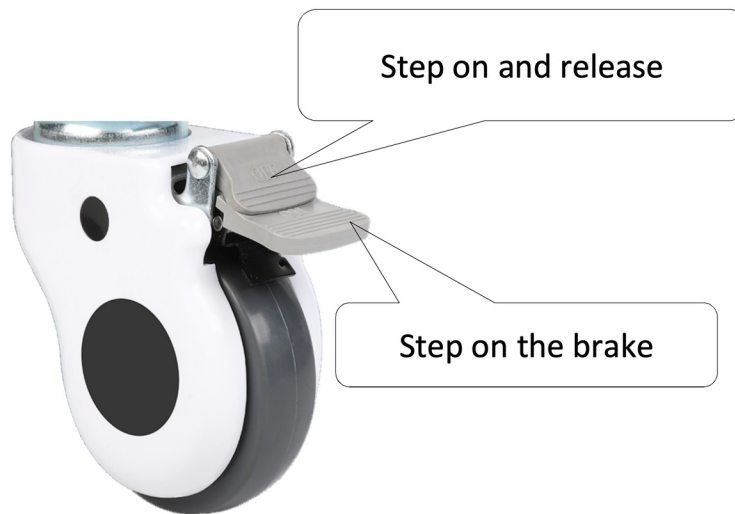
# Dignity Lifts - Toilet Lifts Helper Lift - HL1

## Using the HL1 Lift

Instructions for proper use of your lift.



**Controller** - The up and down buttons make the lift go up and down. After either button has been pressed, the battery display will indicate the state of charge. The Overload light will illuminate if you are nearing the lift's capacity.



**Wheels and Brakes** - The front wheels have brakes on them. To put the brakes on, press the lower part of the pedal. To release the brakes, press the upper part of the pedal. Always set the brakes before taking your hands off the lift. Do not leave a resident unattended in the lift.

## Assembly & Owner's Manual

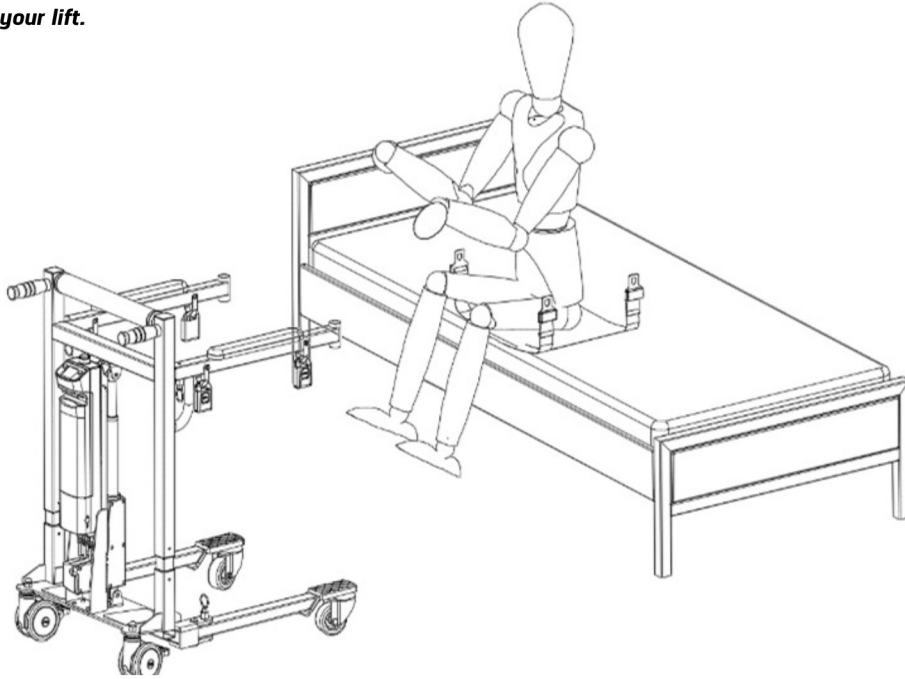


# **Dignity Lifts - Toilet Lifts**

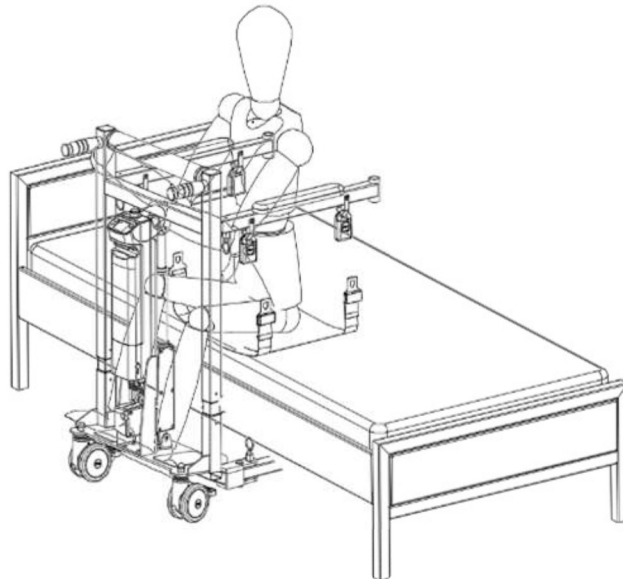
## **Helper Lift - HL1**

### **Using the HL1 Lift**

*Instructions for proper use of your lift.*



***Picking Someone up - Bedside - To be lifted safely with a Helper Lift, the resident must be able to sit upright on their own. Begin by positioning the resident on top of the sling. This can be done by laying the resident in a fetal position, putting the sling below their bottom, and rolling them upright and onto the sling.***



***Picking Up - Part 2 - Approach the bedside with the lift. The lift should be lowered somewhat. When in position, lock the wheels and clip the sling to the lift. Position the resident's feet on the foot pads. Install the backrest before lifting. When you are certain the resident is secure and positioned in a stable manner, press the up button on the controller. Lift the resident only enough to clear the surface so they can be moved easily.***

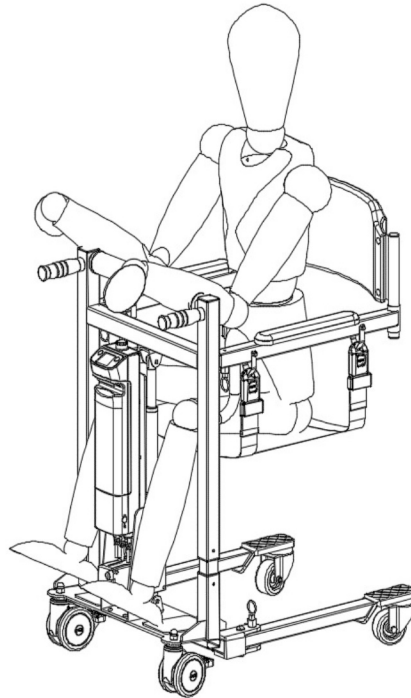
**Assembly & Owner's Manual**

# **Dignity Lifts - Toilet Lifts**

## **Helper Lift - HL1**

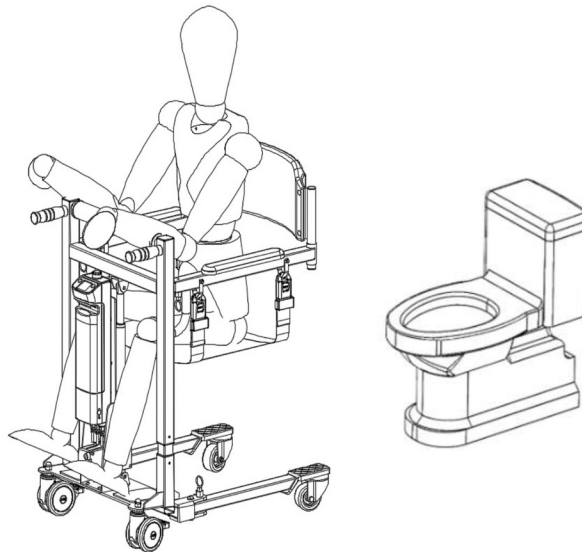
### **Using the HL1 Lift**

*Instructions for proper use of your lift.*



***Transporting a resident - Before unlocking the wheels place your hands on the handles. Unlock the wheels and slowly transition your resident to their next location. Position the rider with their elbows on the rests, their hands on the cross-bar, and their feet on the foot pads.***

***The Helper lift is meant to be used on indoor areas with smooth surfaces. It is not for use in areas that are rough or have uneven surfaces. Be especially cautious in doorways and thresholds.***



***Toileting - Toileting tips for using the Helper Lift. Approaching the toilet straight-on is usually best. Use the toileting sling for these trips. Once the resident is positioned over the bowl, lock the wheels and lower them all the way onto the toilet seat. You do not have to disconnect the sling from the lift while they use the toilet. After they have completed evacuating, you can raise them to facilitate cleaning and wiping.***

## **Assembly & Owner's Manual**

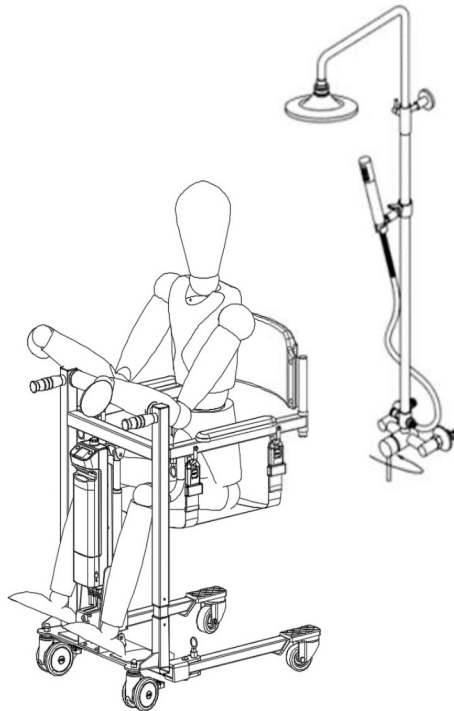


# Dignity Lifts - Toilet Lifts

## Helper Lift - HL1

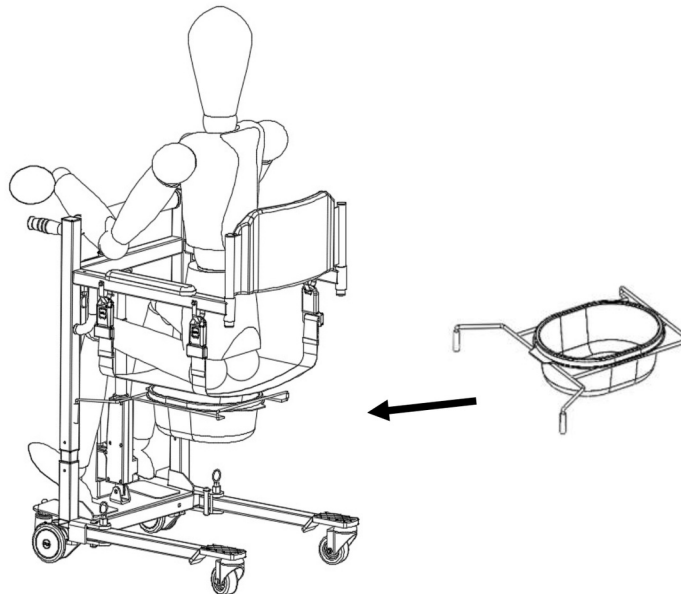
### Using the HL1 Lift

Instructions for proper use of your lift.



**Shower Transport** - We suggest you use the HL1 lift to transport the resident to a shower chair or bath bench and bathe them that way.

1. The HL1 Lift is not waterproof. Use it only to transport patients to a shower chair or bath bench.
2. If it gets near water, push the red "battery disconnect" button to disconnect the battery.
2. You can lightly spray the lift if you cover the battery area with a plastic cover.
3. Do not spray water directly onto the controls, the battery, nor the actuator.
4. If the lift gets wet, dry the lift after use.



**Commode Use** - If you cannot access a toilet, you can make use of the commode rack and bucket that is included with your HL1 Lift. Raise the resident up. From the rear, install the commode rack and bucket at the same time. Lower the resident down to the commode. After they evacuate you can raise them for cleaning and then to removed the rack and bucket for cleaning.

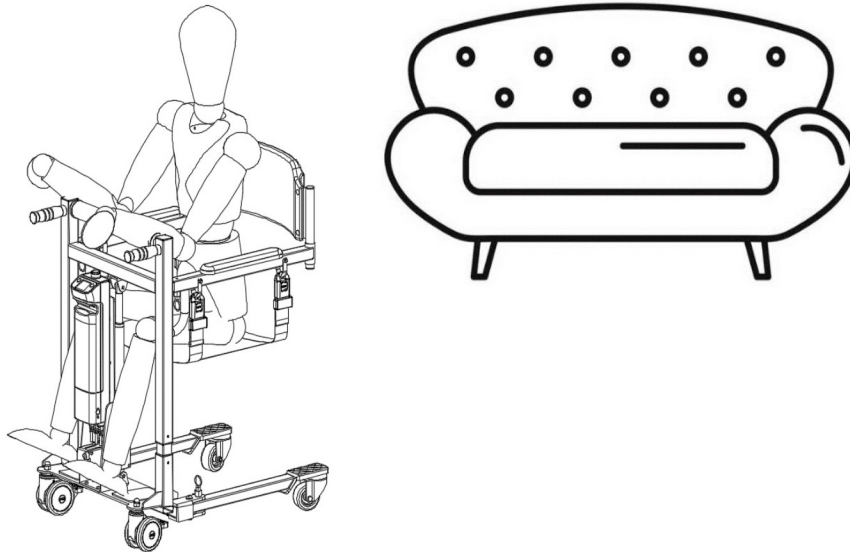
**Assembly & Owner's Manual**

# **Dignity Lifts - Toilet Lifts**

## **Helper Lift - HL1**

### **Using the HL1 Lift**

*Instructions for proper use of your lift.*



*The Helper lift can be used to transport a resident to a couch, easy-chair, even a dining chair. The HL1 lift is meant for people that can sit up independently but cannot transition from place-to-place on their own.*

### **Tips for getting the most out of your Helper Lift**

- 1. Slings can be spot-cleaned with a fabric cleaner.**
- 2. Slings can be deep cleaned by submerging them in a tub of soapy water (laundry soap), but this might require significant time to air dry.**
- 3. Measuring the height of common places you will place the patient can help you determine how to adjust the slings. Adjust the sling so that when the lift is near it's highest point it can just lift the patient off of the highest seat they will use.**
- 4. If a sofa or easy chair is too low for the lift to lower them onto, consider placing furniture risers under the feet of the sofa or chair. This will raise it so that your resident can sit there.**
- 5. Never move a patient without the backrest in place.**
- 6. Never leave a patient unattended if the wheels are not locked.**
- 7. Do not use the lift on uneven surfaces.**
- 8. Do not use the Helper Lift on steep inclines/declines**
- 9. Do not overload the lift, only lift people that are below its capacity.**
- 10. The is heavy. Please use 2 people to lift the HL1.**
- 11. When the battery indicator shows only 1 or 2 lights, recharge when possible.**