



**POPULAS**  
furniture by AD·AS

**INFINITY COMMAND CENTER 7234**  
Expansive single surface console with powered adjustment

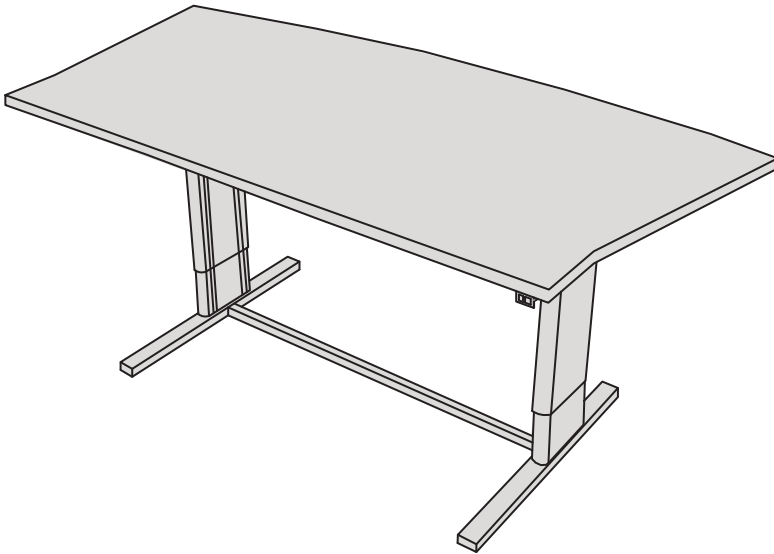
Large height-adjustable table designed for applications that require simultaneous use of computer monitors for up to two people.

**FEATURES:**

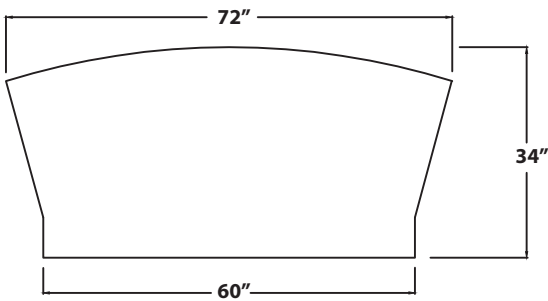
- Single surface height adjustment for individual positioning or multi-user environment
- Straight edge at front is ideal for instructor-student situations, or two people working independently
- Smooth, quiet, motorized adjustment facilitates sit-to-stand functionality
- Optional CPU Holder accessory mounts on right or left side
- Push-button powered adjustment, controls can be mounted on either side of table
- Infinite height adjustment throughout the specified range
- Durable laminate top

**TECHNICAL DATA:**

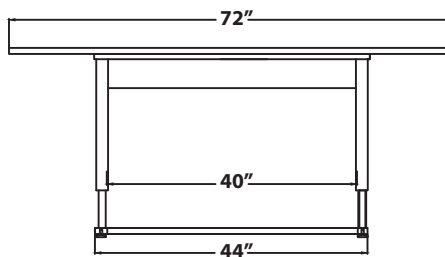
- Standard table dimensions: 72" x 34"
- Other widths and lengths available upon request
- Powered adjustment range 27"- 39"
- Total load capacity 450 lbs
- System operates on standard 110V
- Extruded aluminum telescoping legs
- Base finish Graphite Silver



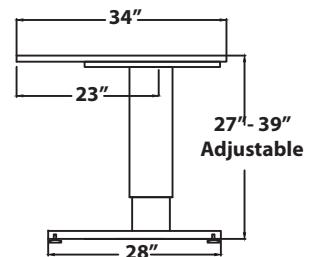
MODEL	DIMENSIONS	ADJUSTMENT RANGE	START/END HEIGHT	LEG SPAN
IN CC 7234	72" X 34"	12"	27", 39"	40"



Top View



Front View



Side View