

100 Series

Infinium Luxor 100

Mobile Exam Lighting

Compact LED exam and procedure lighting system that delivers ultra clear and cool light for your exam and procedure needs. This well-built line is designed to be bright, easy to use, provide accurate color, have zero UV emissions, and require very little maintenance.



Illumination Intensity

3 Step adjustment - Max. 60,000 lx



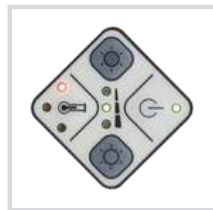
Color Temperature

3,500k / 4,000k / 4,500k



Color Rendering Index

Ra 96 / R9 95




Optional Battery



Bright, Reliable, & Intuitive

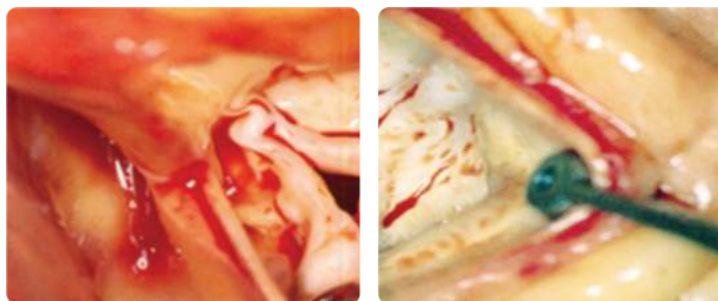
TECHNICAL SPECIFICATIONS

Model	E100
Design (Light Head)	
Head Size	9.8 x 9.7 in
Intensity(lx)	Max. 60,000 @0.5 M
CRI(Ra)	95
Color Temperature(K)	3,500 / 4,000 / 4,500
Depth of illumination	-
LED Life Span(hrs)	50,000
Power Consumption(W)	17
Light Field Size	6.7 in
Focal Distance	19.7 in
Input Power	AC 100~240 V, 50/60 Hz

Adjustable Color Temperature & Intensity

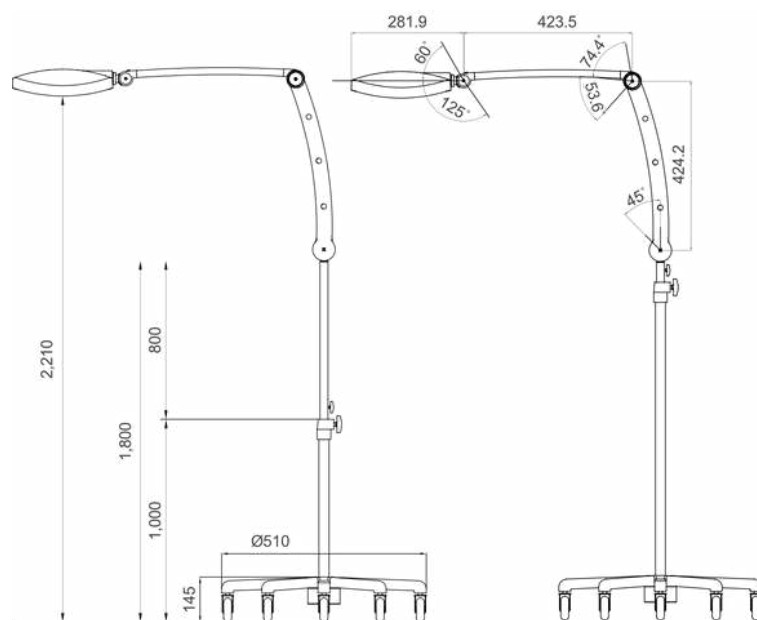


Natural High Color Rendering Index



Luxor-E100

Lower CRI



Optional Battery Backup

Rechargeable

DC 14.8 V, 7.8 Ah, 4.4 lb

3 hours of continuous light

