



M-Rail - HMR400 ASSEMBLY & INSTALLATION INSTRUCTIONS

ATTENTION

The Consumers Product Safety Commission (CPSC), the Food and Drug Administration (FDA,) and the F3186-17 Standard have said that this Product (Product), and all other similar assistive bedside balance products are classified as Adult Portable Bed Rails (APBRs).



WARNINGS

It is known that there is a risk of Entrapment when APBRs are used. Hartmobility Inc. (Hartmobility) is committed to providing our customers and users with information and education about what Entrapment is and how to avoid Entrapment when using our Products. To assist in understanding the Entrapment Risks our leaflet called Entrapment Prevention Information is included in these instructions.

Entrapment risk occurs whenever a user of an APBR can have their head, neck, chest, or other body part trapped in the space between the bed, the mattress or any other object and the APBR. Entrapment can result in serious injury and death.

Before installing or using this Product it is important to consider carefully who will be using it. The F3186-17 ASTM Standard, the CPSC, and the FDA describe users who are particularly at risk of entrapment, suffocation and strangulation as; "People with Alzheimer's disease, dementia, or other neurological conditions, or those who are sedated, confused, or frail."

If the user has been diagnosed with any of these conditions caregivers, and the installers, must understand and be aware of the Entrapment risks and take full responsibility for the correct installation and use of this Product.

If you are not technically competent to install this Product we recommend that you hire a professional installer/contractor.

The following are examples show the text of the ENTRAPMENT, STRANGULATION, SUFFOCATION AND FALL HAZARDS WARNING LABELS as defined and required by the CPSC.



WARNING

ENTRAPMENT, STRANGULATION, SUFFOCATION AND FALL HAZARDS

Gaps in and around this product can entrap and kill. People with Alzheimer's disease or dementia, or those who are sedated, confused, or frail, are at increased risk of entrapment and strangulation. People attempting to climb over this product are at increased risk of injury or death from falls. Always make sure this product is properly secured to bed. If product can move away from bed or mattress, it can lead to entrapment and death.



WARNING

SUFFOCATION/STRANGULATION/ENTRAPMENT HAZARD

If product is installed incorrectly or moves from its initial position gaps can occur which can entrap and kill. People with Alzheimer's disease or dementia, or other neurological conditions, or those who are sedated, confused, or frail, are at increased risk of entrapment, suffocation and strangulation.

- **NEVER use unless product is tight against mattress without gaps and at least 12½" from headboard and footboard.**
- **NEVER use with children.**
- **NEVER use on toddler, bunk, water, or inflatable beds, or on beds with mattress toppers or soft compressible pads**



ADDITIONAL WARNINGS & CAUTIONS:

- a. Do not assemble, install or use this Hartmobility Inc. Product until you have read and understand these Warnings, our Entrapment Prevention Information document and the Product Assembly & Installation Instructions supplied. This will ensure that this Product is correctly assembled, installed and used.
- b. This Product is designed and intended to be used with Single to King sized beds that have either:
 - i. A box spring, mattress and bed base frame combination,
 - ii. A bed frame with a flat top base, and a mattress sitting on top of the base.
 - iii. A pocket base frame, with either slats or a flat base, and a correctly sized mattress sitting within the pocket frame of the base.
- c. This Product can be used with innerspring or memory foam style mattresses from 6” to 16” thick.
- d. Do not use this Product with mattresses that are made of a material that will increase the potential for the mattress to sag on the edges and increase the gap between the top edge of the mattress and the Product. Examples of these mattresses are light weight foam, air mattresses, any light weight mattresses, any mattress that easily compress on the edges and pillow tops on mattresses.
- e. Never use on toddler, water, bunk or inflatable beds, or on beds with mattress toppers or soft compressible pads.
- f. Never use this Product without a bedframe.
- g. Do not use on articulating or adjustable beds.
- h. Never use with Children.
- i. Do not install two of these Products on the same side of the bed.
- j. This Product must be installed securely to the bed frame, and box spring if the bed has one, and is equipped with safety straps that will secure it. These safety straps must be used.
- k. If the safety straps provided are not properly secured, the mattress and the Product may move into an unsafe position which increases the danger of entrapment. Follow the Assembly and Installation Instructions supplied for the correct way to install the straps.
- l. MAINTENANCE: It is important to inspect this Product frequently. Stop using immediately if this Product shifts out of its original installed position until it is readjusted into the correct position. See the Instructions for how to re-adjust correctly.
- m. Stop using immediately if this Product is damaged or broken, or if parts are missing.
- n. If this Product is to be used in a long term care facility, a nursing home, an assisted living center, a supported independent living facility, or any similar institution follow these instructions AND the institution’s APBR Bed Rails installation policies; their use of APBRs Bed Rail policies; and their rules and regulations. If this Product does not comply with the institution do not install.
- o. If you have any questions about the assembly, installation or use of this Product; or any questions about the risks associated with this Product; or any other questions regarding any Hartmobility Inc. Products please contact our Customer Support Help Desk call our Customer Support Help Desk
- p. In addition to contacting the manufacturer directly, consumers should report problems to the CPSC at its website

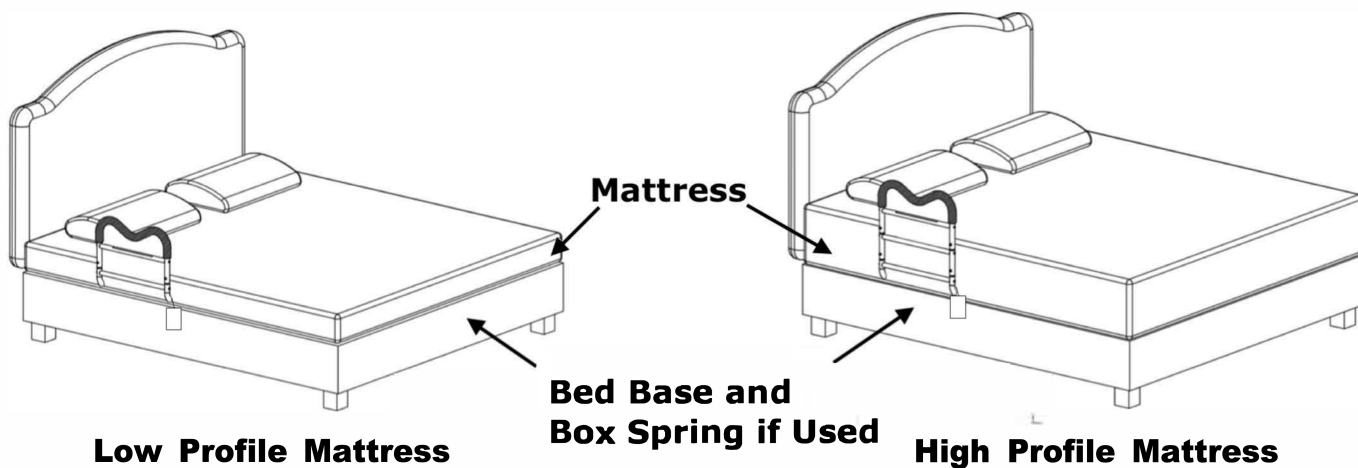
USER AGREEMENT

Neither Hartmobility Inc., nor the seller of this product will be Liable for improper installation or use of this Product.

WARRANTY

For Warranty details refer to the Warranty details on the Hartmobility Inc. website

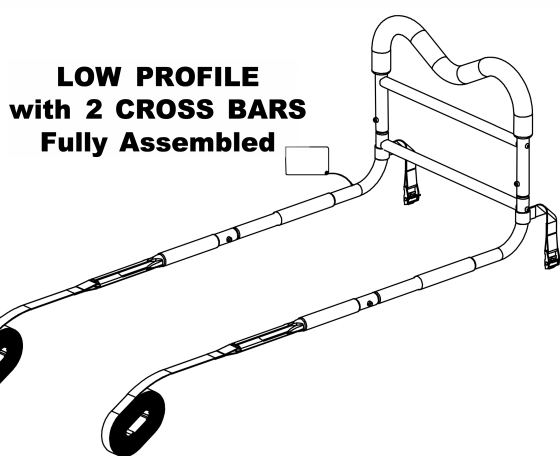
ASSEMBLY and INSTALLATION INSTRUCTIONS



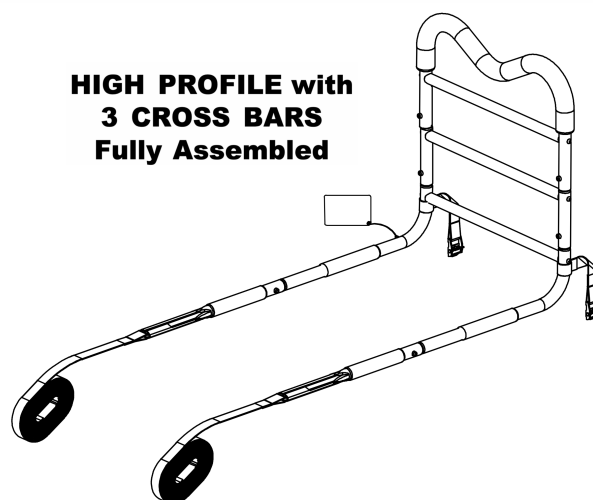
Low Profile Mattress

Bed Base and Box Spring if Used

High Profile Mattress



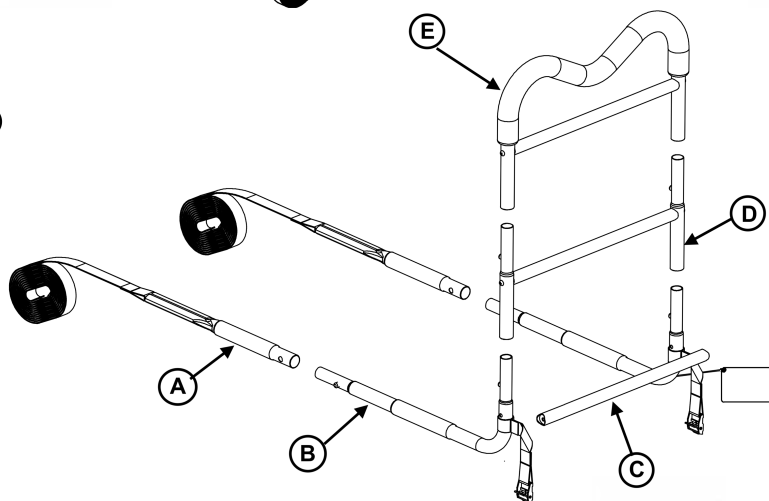
**LOW PROFILE
with 2 CROSS BARS
Fully Assembled**



**HIGH PROFILE with
3 CROSS BARS
Fully Assembled**

KIT CONTENTS

- 2 - Parts A: Strap Tubes.
- 2 - Part B: Under Mattress Tubes. (Warning Tag on right side)
- 1 - Part C: Lower Cross Bar.
- 1 - Part D: H-Bar Height Extension Assembly.
- 1 - Part E: M-Rail Handrail.
- 2 - Long Screws for Part C.
- 1 - Hex Key



Specifications:

Product Name: M-Rail HMR400

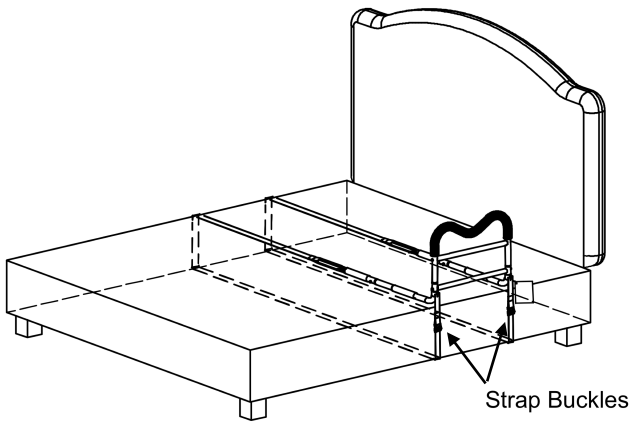
Product Maximum User Weight: 300lbs, (135kgs)

Cleaning: Use a damp cloth soap and water or mild household cleaner, wipe clean and dry before using.

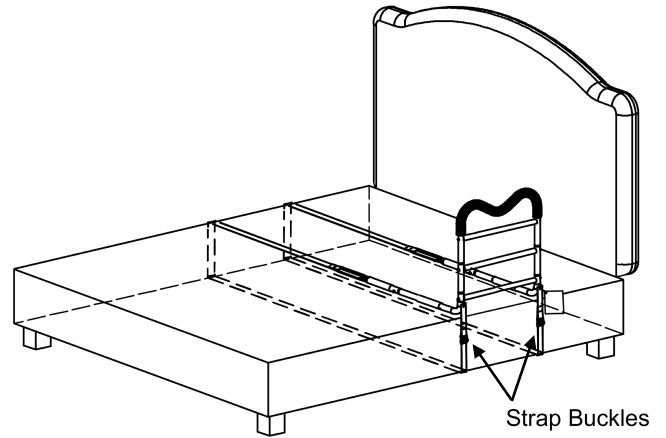
ASSEMBLING The M-Rail. Installer Quick Tip:

If you have any difficulty assembling the parts and snap-locking them together, loosen the screws on one side of parts C and D using the hex key provided. After fully assembling, tighten all screws securely.

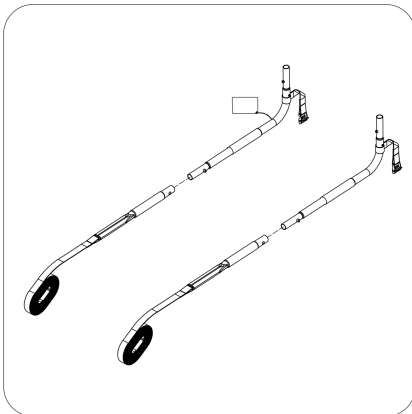
1. Open carton and remove all parts. Remove the plastic coverings and dispose of safely away from children and infants.
2. The M-Rail can be used with either two (2) Cross Bars or three (3) Cross Bars. For mattresses 6 to 10 inches thick you can choose to use either two (2) or three (3) cross bars. For mattresses between 11 and 16 inches thick you **must use** three (3) Cross Bars. The top of the M-Rail must be at least 4 inches (10cm) above the top surface of the mattress. If you choose to use 2 Cross Bars, discard part D (H Bar).



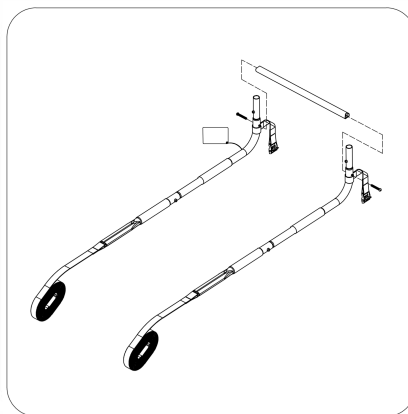
**Low Profile
Mattress Removed**



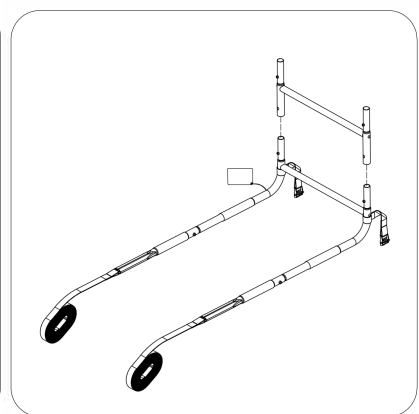
**High Profile
Mattress Removed**



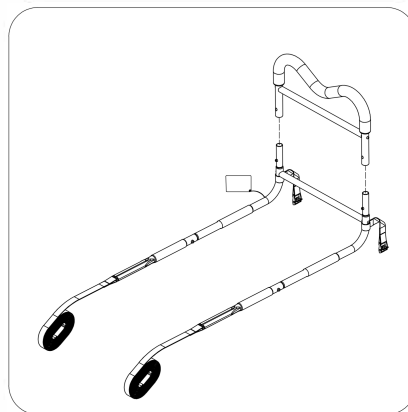
3. Snap-Lock part A onto part B both sides



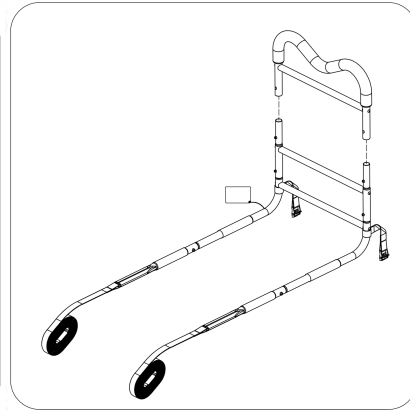
4. Screw part C onto parts B. Leave the screws loose



5. For High Profile: snap-lock part D onto part B



6. For Low Profile: snap-lock parts E onto part B



7. For High Profile: snap-lock parts E onto part D

8. Remove the mattress.
9. With the mattress removed; sit the assembled M-Rail on top of the bed base or box spring, if the bed has a box spring.
10. Run the long straps on parts A across the top of the bed frame and/or box spring to the other side of the bed. Then go underneath the bed base and back to the M-Rail.
11. Position the M-Rail away from the headboard where it is most comfortable for use. The distance from the headboard and footboard if one is used to the closest part of the M-Rail must be more than 12-1/2 inches.
12. Feed the straps through the buckles on the short strap. Tighten the strap securely and close the buckles to secure the straps.
13. Put the mattress back on the bed.
14. Loop and double tie the loose end of strap underneath the buckle. Cut off excess loose strap to prevent tripping hazards.