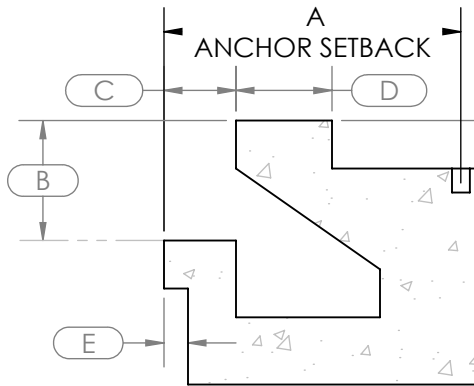
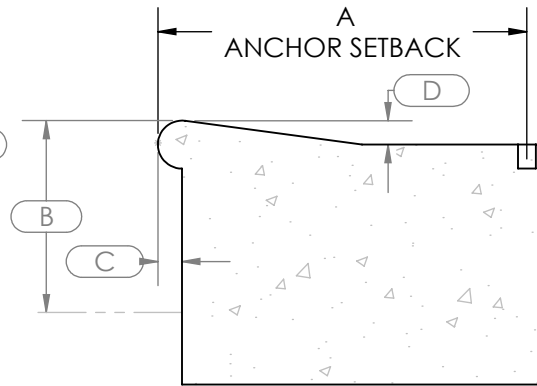


MEASURE GUIDE GUTTER

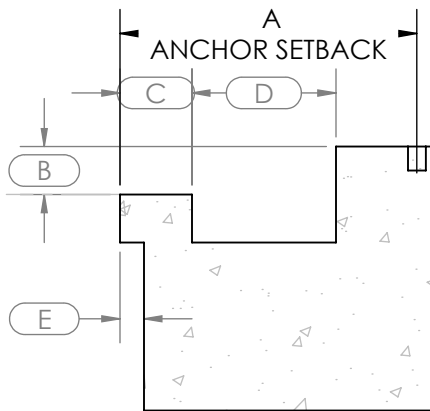
FORM MG-PGD



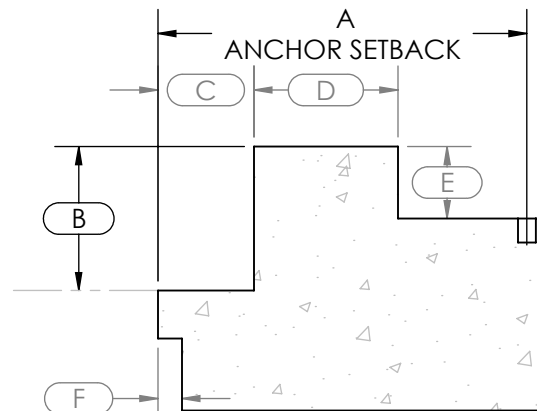
RECESSED GUTTER*



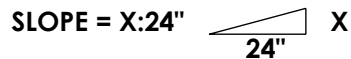
BULL NOSE COPING*



TROUGH GUTTER*



HAUNCH GUTTER*



Carpenters level req'd

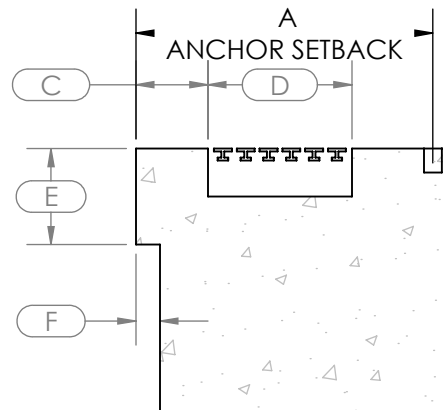
NOTE:

Field measurements are required for the product you wish to order. Please provide accurate measurements to eliminate delays or errors in the design and manufacturing.

Choose the profile that most closely matches your pool and provide the measurements. A carpenters level will be needed in order to determine the slope of the deck. If your gutter is not similar to any of these diagrams, please sketch your diagram on the back of this paper and provide us similar measurements as requested on this form.

Property: _____

Facility#: _____



RIM FLOW GUTTER*

	DESCRIPTION	MEASUREMENT
A	ANCHOR SETBACK	
B	WATER DRAFT	
C		
D		
E		
F		



Submitted By: _____

Signature: _____

Date: _____