

LARGE ROUND TABLE

Hand-crank, height adjustable pedestal table



This generous 47" diameter table comfortably accommodates four to six people. It provides variable height adjustment according to activity.

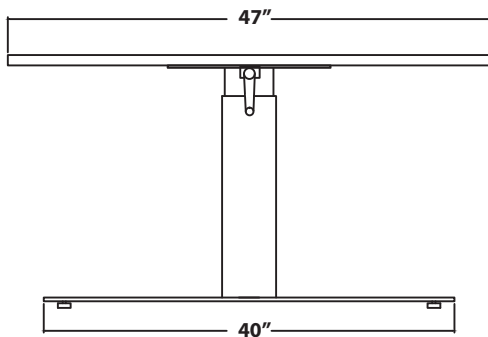
FEATURES:

- Single surface table with 14" of vertical height adjustment capability
- Durable powder coat finish on pedestal and base
- Durable laminate provides low maintenance surface
- Easy to turn hand crank retracts out of the user's way

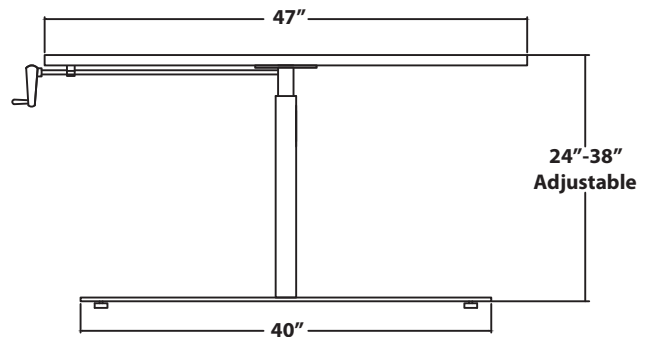
TECHNICAL DATA:

- Standard table dimension: 47" diameter round top, 1" thick
- Vertical adjustment range 24"-38"; 7 turns per inch
- Weight-capacity: 100 lbs
- Durable powdered metal gears standard
- Base finish: Graphite Silver

MODEL	DIMENSIONS	ADJUSTMENT RANGE	START/END HEIGHT
HCP-470	47" Diameter	14"	24", 38"



Front View



Side View