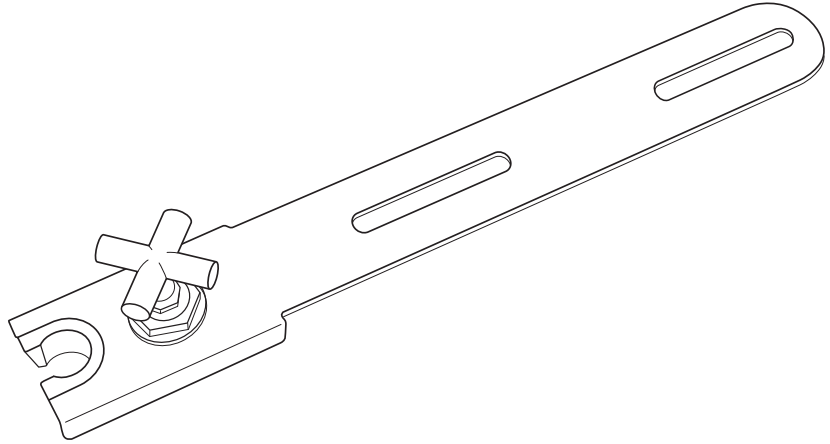


Brondell®

Hand-held Bidet Holster with Integrated Shut Off

Model: MBH-10



Features

- Stainless steel, rust-free metal mount
- Easy-twist, polished chrome knob with on/off and water pressure control
- Fits all sprayer heads with ½" sprayer hose connection
- Rubber pads for porcelain protection
- All-metal T-Valve and braided-metal water supply hose
- Simple, DIY installation
- One-Year Warranty

Technical Specifications	
Dimensions (L x W)	15.75" x 2.24" / 40 cm x 6 cm
Product Thickness	0.08" / 0.2 cm
Weight	1.14 lb / 0.7 kg
Incoming Water Temperature Range	32°F–158°F / 0°C–70°C
T-Valve Connection Size	⅜" x ⅜" x ⅞"
Holster Internal Valve Type	Brass
T-Valve Material	Brass

Brondell®
Feels better already.

NOTE: The specifications listed above are subject to change without prior notice for reasons of improving the product performance.

#22MBH10_0314