

GRILLO



ORMESA

 design and quality
MADE IN ITALY since 1980



Innovation
In Motion
mobility-usa.com



8 configurations

2 models: front drive and posterior,
just one frame

folding frame

gait trainer with constant center of gravity

precise and continuous adjustments

interchangeable components

widest range of growth

2 ergonomic and independent
supports for trunk and pelvis

Grillo is a Gait Trainer for children and adults designed to improve self-movement.

Its original design and patented height adjustment system is unique, safe and easy to use.

Its wide range of adjustments, supports and accessories make this Gait Trainer fit the needs of any user, no matter the size, age or degree of disability.

Large

Medium

Small

Mini





Versatile and Adjustable

wide range of interchangeable components

924 Pelvic support



930 Ergonomic harness



925 Trunk support



865 Adjustable headrest



Adjustable in height, tilt and backward-forward position.

919 Lumbar support



Adjustable in height.

918 Folding seat



Adjustable in height. It can be used on posterior Grillo, both on pelvic support and lumbar support. In case of need, it can be folded while walking.

815 Folding saddle



Adjustable in height.

809 Arm supports



Adjustable in depth, tilt, in turning direction, height, prone-supine direction. It can also be positioned on the external part of the handle.

943 Arm straps



930 Arm supports for size mini



Adjustable in depth, turning direction and height.

943 Arm straps for size mini



Adjustable in depth, turning direction and height.

926 Handlebar



Adjustable in height.

927 Removable grip handles



Handles width adjustable in an independent way.

939 Ergonomic handles



Adjustable in depth, tilt, turning direction, height, width.

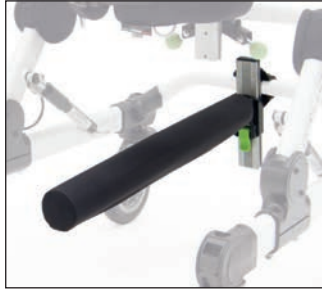


Positioned above or below the knees, the leg divider hinders the abduction of the lower limbs while guiding the step pattern and making the correct sequence of walking movement with ease. It is adjustable in height and circumference to accommodate different body types. Thanks to its innovative design, the thigh straps offer freedom of movement lengthwise, vertically, and by rotation, enacting the natural physiological movements of walking. Additionally, adjustments can be made on the track to adjust the length of the stride.

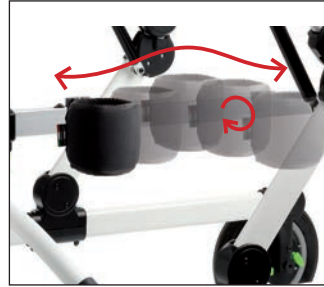
809 Leg divider with thigh straps



890 Leg divider for mini



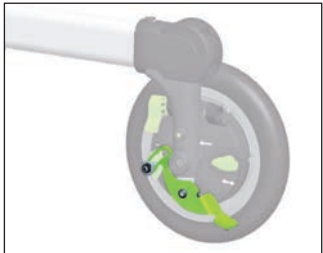
Adjustable in height.



923 Pushing handlebar for caregiver



929 Pedals for parking brakes



928 Rear wheels for narrow base



Includes pedals for parking brakes, for indoor use. Pair of fixed Ø200 wheels with pedals for parking brakes + forks

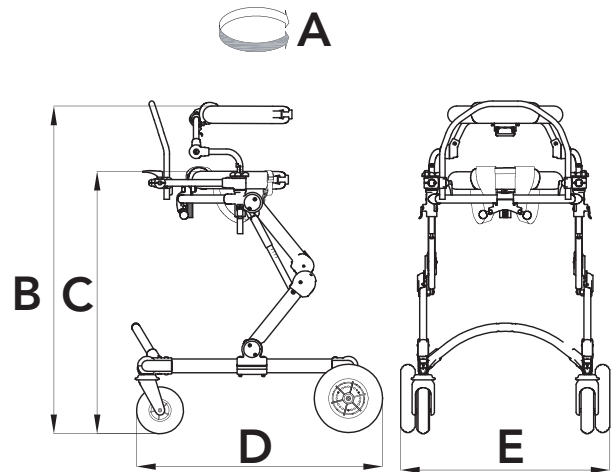
810 Weight bars



Grillo Small + 2.6 kg. (5.7 lbs) x 2
Grillo Medium and Large + 3.4 kg. (7.5 lbs) x 2

Measurement in Inches

Grillo	Mini	Small	Medium	Large
Max Capacity	77 lbs	99 lbs	198 lbs	242 lbs
User Height	29.5-39	35-53	43-65	59-75
Unit Weight	30 lbs	36 lbs	43 lbs	51 lbs
A Support Circumference	21-31	23.5-34	29-47	33-55
B Chest Support	20-29.5	27-39	30-49	32-56
C Pelvic Support	16.5-24	19-33	21-39	25-46
D Overall Length	28.7	29.5	36	43.5
E Overall Width	22.5	25.5	30	31.5



Innovation in Motion

201 Growth Parkway
Angola, IN 46703
260.665.2769
mobility-usa.com