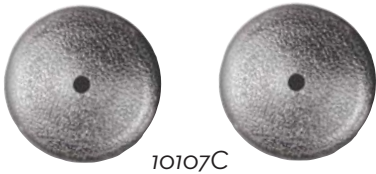


IDEAL FOR OUTDOOR USE.



10107C

**MAKES
LESS
NOISE!**

Glide Cover

10107C Black, 1 pr/poly-bag
10107CG* Grey, 1 pr/poly-bag

FEATURES:

- Tip style glide cover for use over existing rubber tip.
- Allows walker to “glide” across most surfaces.
- Easily added to walker.
- Very quiet on outdoor surfaces.

IDEAL FOR INDOOR & OUTDOOR USE.



10107



Glide Cap

10107 1 pr/bx

FEATURES:

- Allows walker to glide easily and smoothly over most surfaces.
- Replaces rubber tip.



10389G-1



Walker Tips

10389G-1 Grey, 1", 1/pr/bx,
10389G-8 Grey, 1", 1/pr/bx, 8bx/cs

FEATURES:

- Provides stability to walker.
- For use with all Drive and most leading manufactures with 1" diameter.



COMPARE TO:
Sunrise®
10389G-8 1202



**THIS ITEM
IS AVAILABLE
IN A 1-PACK!**



10110B



Glide Ski

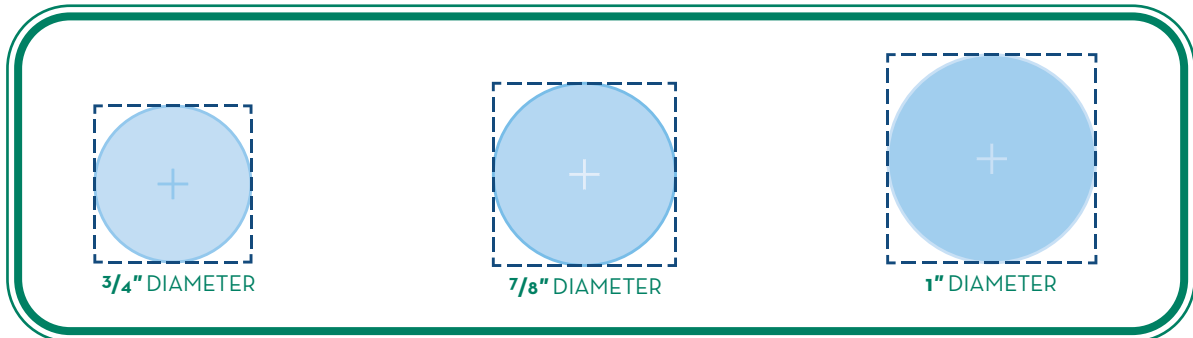
10110 White, 1 pr/bx
10110B Black, 1 pr/bx

FEATURES:

- For use with all 1" folding walkers.
- Easily added to walker.
- Durable composite construction ensures long life.
- Ideal on most surfaces.
- For use with all Drive and most leading manufacturers walkers.



10110



1. Remove existing rubber tip from the end of your walker leg.
2. Match the end of your walker leg to the colored circle making sure the dotted lines touch the sides.

Use this as reference when ordering replacement tips, glides, etc.

Important Notice: Item numbers that display an asterisk () reflect an item that will be discontinued or package change.