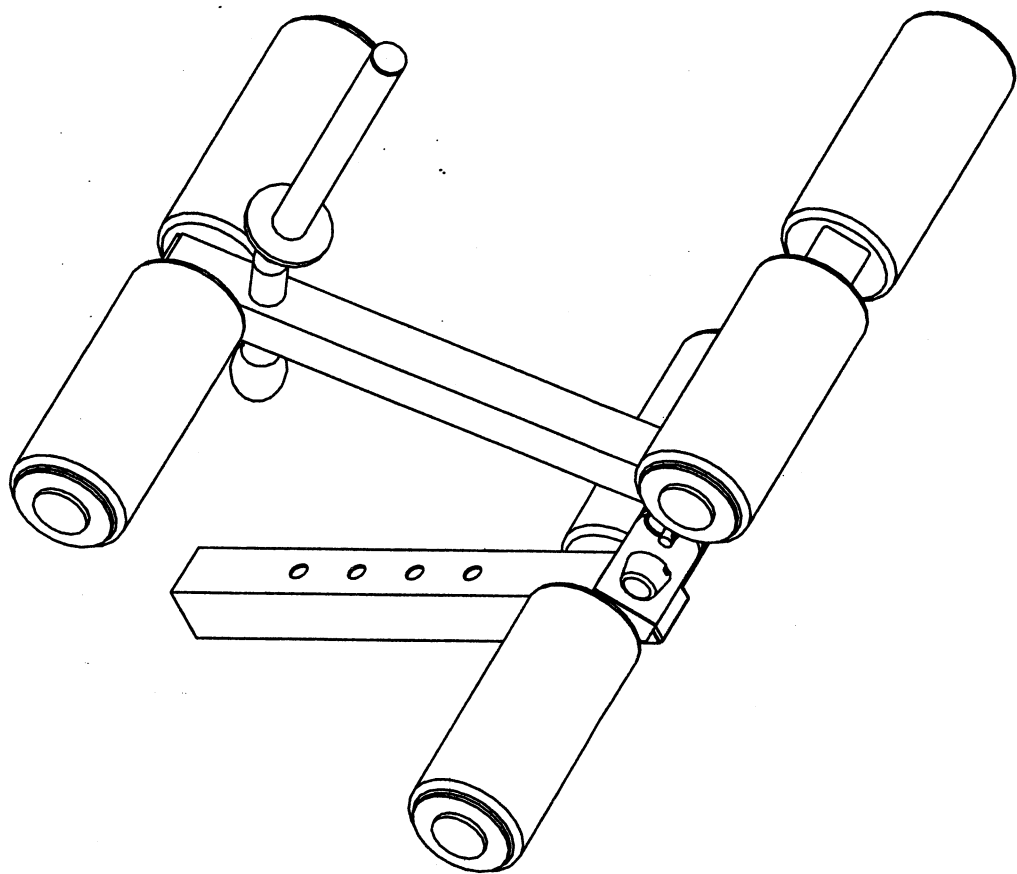


GLDA-3

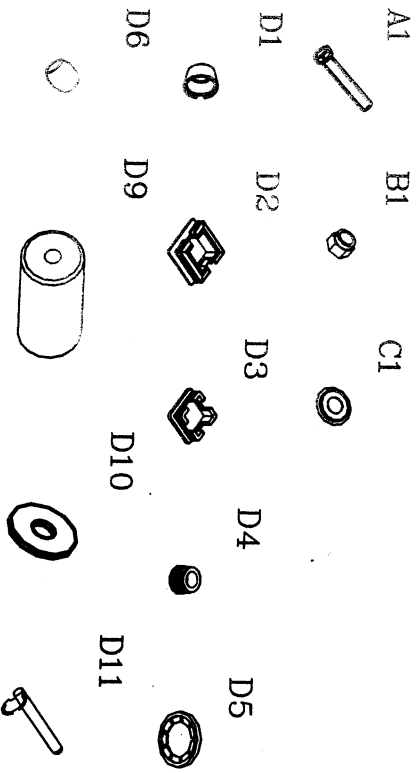


VERSION 0506

GLDA--3

HARDWARE ILLUSTRATION SHEET

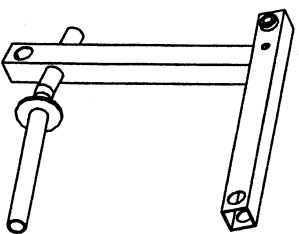
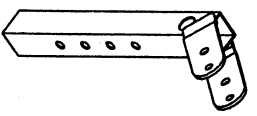
A1. 1/2"X90L HEX HEAD BOLT-----	Qty. [1PCS]
B1. 1/2" NYLON LOCK NUT-----	[1PCS]
C1. M12 ROUND END CAP WASHER-----	[2PCS]
D1. 1/2" BOLT CAP-----	[2PCS]
D2. 45X45 END CAP (9211-004)-----	[1PCS]
D3. 38X38 END CAP (9211-003)-----	[3PCS]
D4. ϕ 1" ROUND END CAP (9211-016)-----	[1PCS]
D5. ϕ 1" ROUND END CAP (8341-033)-----	[6PCS]
D6. ϕ 1" RUBBER CANE CAP (9212-019)-----	[1PCS]
D9. ϕ 3 1/2"X8" FOAM ROLLER (9161-007)-----	[6PCS]
D10. ϕ 3" NYLON WASHER (9214-008)-----	[6PCS]
D11. ϕ 10X75L RING PIN (8250-034)-----	[1PCS]



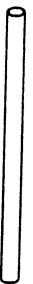
PARTS ILLUSTRATION SHEET

A [1PCS]

B [1PCS]



C [2PCS] ϕ 1"X1.6X483L



D [1PCS] ϕ 1"X1.6X490L

