



## Instructions Manual



READ ALL INSTRUCTIONS **BEFORE** ASSEMBLY AND USE.  
KEEP THESE INSTRUCTIONS FOR FUTURE USE. AFTER  
READING THE INSTRUCTIONS MANUAL KEEP IT INSIDE  
THE ENVELOPE ATTACHED WITH THE MATTRESS  
SUPPORT UNDER THE MATTRESS

### Gertie CRIB

America's Most Advanced Crib



Serial No.: \_\_\_\_\_  
Locate serial number on the side of the crib and write it here.

Purchase Date: \_\_\_\_\_



**⚠ HAZARD**

CHECK THIS PRODUCT FOR DAMAGED HARDWARE, LOOSE BOLTS OR OTHER FASTENERS, MISSING PARTS, OR SHARP EDGES BEFORE AND AFTER ASSEMBLY AND FREQUENTLY DURING USE.

SECURELY TIGHTEN LOOSE BOLTS AND OTHER FASTENERS. DO NOT USE CRIB IF ANY PARTS ARE MISSING, DAMAGED OR BROKEN.

CONTACT CUSTOMER SERVICE FOR REPLACEMENT PARTS AND INSTRUCTIONAL LITERATURE IF NEEDED. DO NOT SUBSTITUTE PARTS.

**CUSTOMER SERVICE**  
**Mobility Unlimited, Inc.**  
515 N 12th Street, Allentown, PA  
**1-800-574-7880**

TO REGISTER FOR IMPORTANT SAFETY ALERTS AND UPDATES TO YOUR PRODUCT PLEASE FILL OUT THE ENCLOSED SELF ADDRESSED POST CARD AND MAIL IT TO US.



# Table of Contents

---

<b>1 Introduction</b> .....	4	<b>9 Fault</b> .....	20
Foreword .....	4	<b>10 Dismantling</b> .....	21
Manufacturer .....	4	Baby crib dismantling .....	21
Limited Express Warranty .....	5	<b>11 Accessories</b> .....	21
<b>2 Safety</b> .....	7	Standard accessories .....	21
Labels on the baby crib .....	7	<b>12 Spare parts list</b> .....	22
<b>3 Scope of delivery</b> .....	9	<b>13 Technical data</b> .....	22
<b>4 Transport and storage</b> .....	11	Ambient conditions .....	22
Transportation and storage of baby crib .....	11		
<b>5 Assembly</b> .....	11		
Requirement .....	11		
Special safety information .....	11		
Unpacking the baby crib .....	11		
Assembly of the baby crib .....	12		
Assemble second side frame .....	16		
Mattress support .....	17		
Assembling the folding doors .....	18		
How to operate the four doors .....	19		
Locking the folding doors .....	19		
<b>6 Cleaning</b> .....	20		
Baby crib cleaning .....	20		
<b>7 Maintenance / Repair</b> .....	20		
<b>8 Register</b> .....	20		

# 1 Introduction

---

## Foreword

Dear customer,

The team at KayserBetten GmbH & Co. KG thanks you for the trust that you have placed in us by purchasing the "Gertie" baby crib.

With the decision to use a KayserBetten GmbH & Co. KG baby crib, you are receiving a product with high functionality and safety.

Each crib has been thoroughly inspected for quality assurance before leaving our factory.

Please follow the instructions in this manual carefully. These instructions provide you important information about the proper assembly and safe operation of the crib.

The ergonomic design of our crib will provide you convenience in taking care of your baby, while enjoying the confidence that your baby is always in a safe environment. We are confident that our crib will make a positive contribution in the security and care of your baby.

Yours sincerely,  
KayserBetten GmbH & Co. KG

## Manufacturer

KayserBetten GmbH & Co. KG  
Rieper Straße 12  
29683 Bad Fallingbostel  
GERMANY  
Telephone: +49 (0)5163-6595  
Telefax: +49 (0)5163-2076  
E-Mail: [info@kayserbetten.de](mailto:info@kayserbetten.de)  
Web: <http://www.kayserbetten.de>



## Limited Express Warranty

This limited Express Warranty applies only in the United States and Canada to the cribs manufactured by KayserBetten GmbH & Co. KG and distributed by Mobility Unlimited, Inc. located at 515 N 12th Street, Allentown, PA 18102 (MUI) under KayserBetten brand name (hereinafter referred to as "Product").

**What is covered?** During the warranty period, MUI, in its sole discretion, at no additional charge will provide the exclusive remedy of repair or replacement of the Product if it becomes materially defective, malfunctions, or otherwise fails to conform to this limited warranty under normal non-commercial, household use. All exchanged parts and Products replaced under this limited warranty will become the property of MUI.

**How Long Coverage Lasts.** KayserBetten GmbH & Co. warrants that the Product you have purchased from MUI or its authorized dealer will be free from any material defect in materials or workmanship under normal use for 24 months from the date of purchase.

**Restriction:** This warranty extends only to the original purchaser.

**How to Redeem this Warranty:** To redeem this warranty, you must call Mobility Unlimited, Inc. at 1-800-574-7880

**How State Law Applies:** This warranty gives you specific legal rights, and you may have other rights which vary from state to state. If you have any questions about this Limited Express Warranty, you may contact us as follows:

### **Mobility Unlimited, Inc.**

(Exclusive U.S. distributor: KayserBetten GmbH & Co. KG)  
515 N 12th Street, Allentown, PA 18102  
1-800-574-7880  
Fax: 610-433-7972  
e-mail: [info@mobilityunlimitedinc.com](mailto:info@mobilityunlimitedinc.com)

Business Hours: M-F 8:30 – 5 PM EST (Excluding holidays)

**▲ HAZARD!**

- ◆ FAILURE TO FOLLOW THESE WARNINGS AND ASSEMBLY INSTRUCTIONS COULD RESULT IN SERIOUS INJURY OR DEATH.
- ◆ NEVER USE PLASTIC SHIPPING BAGS OR OTHER PLASTIC FILM AS MATTRESS COVER BECAUSE THEY CAN CAUSE SUFFOCATION.
- ◆ INFANTS CAN SUFFOCATE IN THE GAPS BETWEEN CRIB SIDES AND A MATTRESS THAT IS SMALL. *too*
- ◆ TO REDUCE THE RISK OF SIDS, PEDIATRICIANS RECOMMEND HEALTHY INFANTS TO BE PLACED ON THEIR BACKS TO SLEEP, UNLESS OTHERWISE ADVISED BY YOUR PHYSICIAN. *Physician*
- ◆ STRINGS CAN CAUSE STRANGULATION, DO NOT PLACE ITEMS WITH A STRING AROUND A CHILD'S NECK SUCH AS HOOD STRINGS OR PACIFIER CORDS. DO NOT SUSPEND STRINGS OVER A CRIB OR ATTACH STRINGS TO TOYS.
- ◆ TO HELP PREVENT STRANGULATION TIGHTEN ALL FASTENERS. A CHILD CAN TRAP PARTS OF THE BODY OR CLOTHING ON LOOSE FASTENERS.
- ◆ DO NOT PLACE THE CRIB NEAR WINDOWS WHERE CORDS FROM BLINDS OR DRAPES MAY STRANGLE A CHILD.
- ◆ FALL HAZARD: WHEN A CHILD IS ABLE TO PULL TO A STANDING POSITION, REMOVE BUMPER PADS, LARGE TOYS AND OTHER OBJECTS THAT COULD SERVE AS STEPS FOR CLIMBING OUT.
- ◆ STOP USING THE BABY CRIB WHEN THE CHILD BEGINS TO CLIMB OUT OR REACHES THE HEIGHT OF 35 INCHES (89 cm).
- ◆ DO NOT LEAVE THE CHILD WITH DOORS OPEN. BE SURE ALL DOORS ARE CLOSED AND LOCKED WHEN CHILD IS IN THE CRIB
- ◆ REMOVE CHILD'S HAND / FINGERS FROM THE SIDE RAIL BEFORE CLOSING THE DOORS.
- ◆ CHECK THIS PRODUCT FOR DAMAGED HARDWARE, LOOSE BOLTS OR OTHER FASTENERS, MISSING PARTS, OR SHARP EDGES BEFORE AND AFTER ASSEMBLY AND FREQUENTLY DURING USE.
- ◆ SECURELY TIGHTEN LOOSE BOLTS AND OTHER FASTENERS.
- ◆ DO NOT USE CRIB IF ANY PARTS ARE MISSING, DAMAGED OR BROKEN.
- ◆ CONTACT CUSTOMER SERVICE FOR REPLACEMENT PARTS AND INSTRUCTIONAL LITERATURE IF NEEDED. DO NOT SUBSTITUTE PARTS. CUSTOMER SERVICE: MOBILITY UNLIMITED, INC. 515 N 12th Street, Allentown, PA 18102 Phone: 1-800-574-7880.
- ◆ TO REGISTER FOR IMPORTANT SAFETY ALERTS AND UPDATES TO YOUR PRODUCT PLEASE FILL OUT THE ENCLOSED SELF ADDRESSED POST CARD AND MAIL TO US.



**▲ CAUTION!**

- ◆ Any Mattress used in this Crib must be at least 27 1/4 by 51 5/8 in. With a thickness not exceeding 6 in. Mattress to be measured seam to seam.

**Labels on the baby crib**

- ◆ Never remove or modify labels on the baby crib without the manufacturer's consent.
- ◆ **Following labels are on the crib.**



Placement: Below the folding doors and inside the top panel of Rear Grill.



Placement: Below the folding doors.



**U.S. Patent No. 8,566,979  
AND OTHER PENDING PATENT**

**▲ CAUTION: ANY MATTRESS USED IN THIS CRIB SHALL BE AT LEAST 27 1/4 IN. BY 51 5/8 IN. WITH A THICKNESS NOT EXCEEDING 6 IN.**

2

**KayserBetten**

Manufacturer: **KayserBetten GmbH & Co.KG**  
 Rieper Straße 12  
 D-29683 Bad Fallingb. · Germany  
 Phone: +49 5163 6595  
 Fax: +49 5163 2076  
 info@kayserbetten.de

10 Model:

9 SN:

8 Date Manufactured:

7

- Safe working load: 40 kg / 88 lbs
- Read these operating instructions completely prior to use of the baby crib.
- Only for interior home use!
- Do not leave child with doors open. Be sure all doors are closed and fully locked when child is in the crib.
- Stop using the baby crib when child begins to climb out or reaches the height of 35 inches (89 cm).

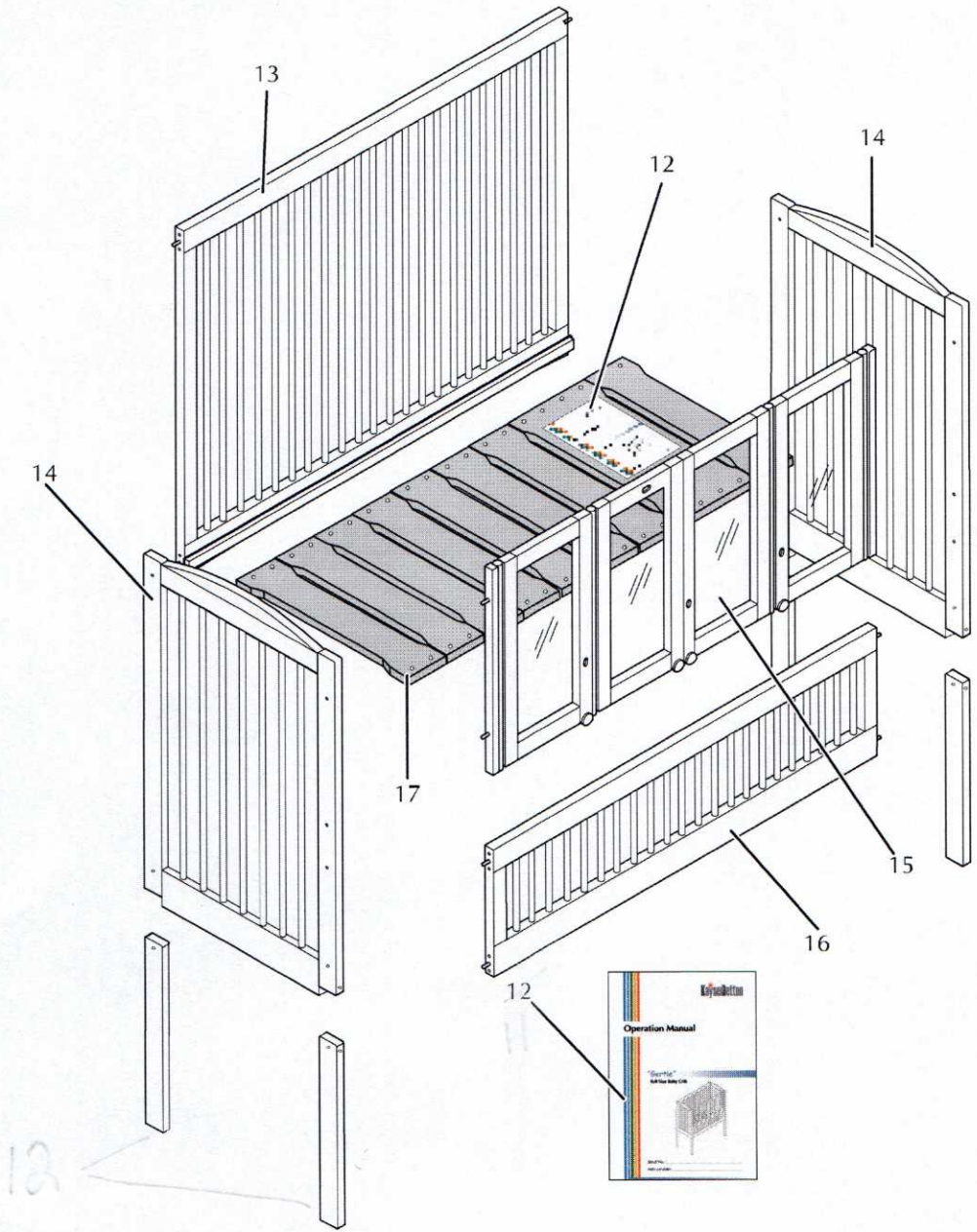
3  
4  
5  
6

Exclusive U.S. Importer & Distributor:  
**Mobility Unlimited, Inc.**  
 515 N 12<sup>th</sup> Street, Allentown, PA 18102, 1-800-574-7880  
 Fax: 610-433-7972, info@mobilityunlimitedinc.com

Position	Meaning	Position	Meaning
1	Distributor	6	CE symbol
2	Manufacturer	7	Safety instructions
3	Warning of a hazard area	8	Date Manufactured
4	Read operating instructions	9	Serial number
5	Only for use in enclosed spaces	10	Crib type

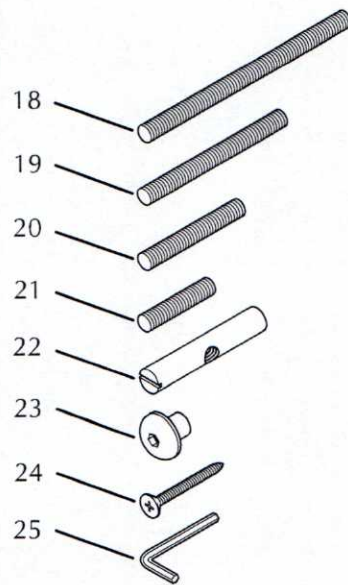


### 3 Scope of delivery



12 - Crib Legs

Position	Quantity	Name
12	1	Instruction booklet
13	1	Rear grill
14	2	Side frame
15	1	Folding door (double)
16	1	Frame connector
17	1	Mattress support



Position	Quantity	Name
18	4	Threaded pins 8 x 140 mm
19	10	Threaded pins 8 x 95 mm
20	2	Threaded pins 8 x 65 mm
21	4	Threaded pins 8 x 45 mm
22	14	Lateral bolt
23	20	Brass caps
24	32	Screws 3 x 30 mm
25	1	Hex-wrench

**▲ HAZARD!**

- ◆ Do not use crib if any parts are missing or broken  
 Call or write to:  
 Mobility Unlimited, Inc.  
 515 N 12th Street, Allentown PA 18102  
 Phone: 1-800-547-7880
- ◆ Do not substitute parts



## 4 Transport and storage

---

### Transportation and storage of baby crib

#### ▲ CAUTION!

Heavy items. Injury hazard.

- ◆ Always use two people to transport the baby crib.

#### Attention

The service life for baby cribs in home use amounts to approximately five years. Frequent transportation, setup and moving reduces the service life.

- ◆ Only transport, assemble and move the baby crib if necessary.

Store and transport the unassembled baby crib as follows:

- In its original packaging,
- protected from impacts,
- secured from falling over,
- dry and clean.

## 5 Assembly

---

### Requirement

Assembly must be carried out by two persons.

### Special safety information

#### ▲ CAUTION!

- ◆ Take care that parts are not scattered around before assembly. Scattered parts present a great danger of tripping. Danger of injury.

### Unpacking the baby crib

1. Unpack the components.
2. Always place the components carefully and the correct way around. Lay cardboard or pieces of carpet under the components.

3. Check the scope of delivery is complete (see chapter „Scope Of Delivery“). If you find any discrepancy please Call or write to:  
Mobility Unlimited, Inc.  
515 N 12th Street, Allentown PA 18102  
Phone: 1-800-547-7880

### Assembly of the baby crib

For assembly you need a free space of at least 7' x 10'.

- ◆ For fastening the brass caps please use a hex-wrench (pos. 25).

### Assembly of threaded pins

#### ▲ CAUTION!

Movable folding doors. Danger of crushing.

- ◆ Keep the folding doors closed during assembly of the threaded pins and mind your fingers.

#### ▲ CAUTION!

Protruding parts. Danger of injury.

- ◆ During assembly keep an eye on protruding parts such as threaded pins, for instance.

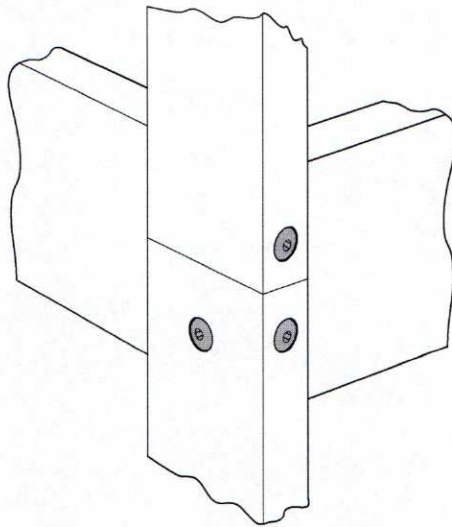
#### Note

Lateral bolts should always be inserted with the slotted end facing you.

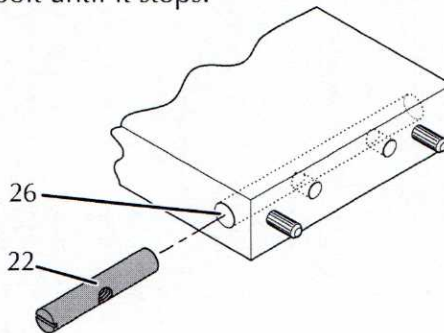
Only screw the threaded pins one rotation into the lateral bolts. Do not screw the threaded pin all the way into the lateral bolt until it stops. Threaded pins must stick out as far as possible, to allow enough space for the brass caps to be attached upon assembly.

1. Lay the side frame (pos. 14) down flat. Please do the following steps on both sides of the side frames.
2. Insert the lateral bolt (pos. 22) into the hole for the lateral bolt located on the bottom of the side frame. The hole for the lateral bolt is not adapted to the length of the lateral bolt. Do not push the lateral bolt all the way into the hole for the lateral bolt until it stops.
3. Position the leg of the side frame as shown. Look through the hole for the threaded pin (pos. 18) and position the lateral bolt in such a manner that the opening in the lateral bolt (pos. 22) is in line with the hole for the threaded pin (pos. 18). Use a slotted screwdriver for positioning.

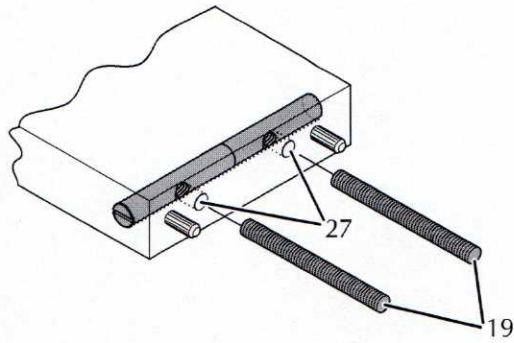




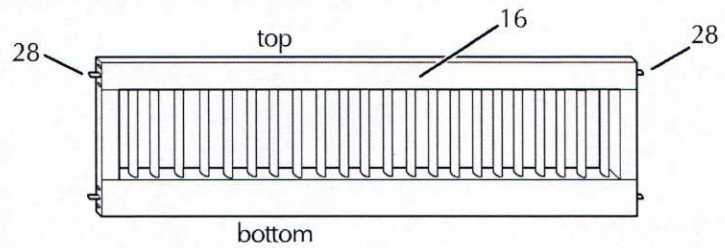
4. Insert the threaded pin (pos. 18) into the hole for the threaded pin. Screw the threaded pin (pos. 18) all the way into the lateral bolt (pos. 22) until it stops.
5. Lay the frame connector (pos.16) down flat. Please do the following steps on both sides of the frame connector.
6. This step requires 2 lateral bolts per side. Insert the lateral bolt (pos. 22) into the hole for the lateral bolt (pos. 26). The hole for the lateral bolt is not adapted to the length of the lateral bolt. Do not push the lateral bolt all the way into the hole for the lateral bolt until it stops.



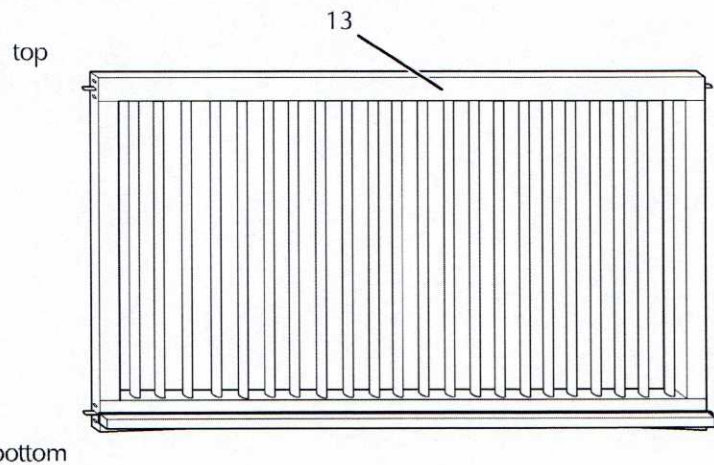
7. Look through the hole for the threaded pin (pos. 19) and position the lateral bolt in such a manner that the opening in the lateral bolt is in line with the hole for the threaded pin. Use a slotted screwdriver for positioning.
8. Insert the threaded pin (pos. 19) into the hole for the threaded pin (pos. 27).
9. Screw the threaded pin (pos. 19) into the lateral bolt (pos. 27) one rotation. Do not screw the threaded pin all the way into the lateral bolt until it stops.



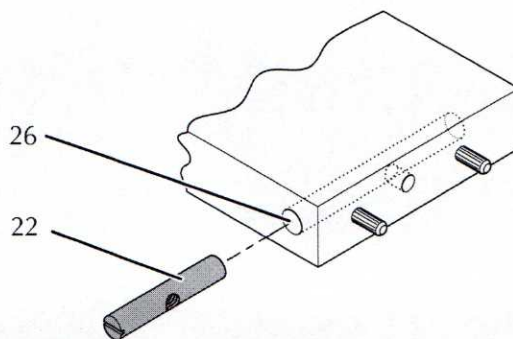
10. Screw the threaded pin (pos. 20) into the pre-drilled hole (pos. 28) on the frame connector (pos. 16).



11. Lay the rear grill (pos. 13) down flat. Please do the following steps on both sides of the rear grill.

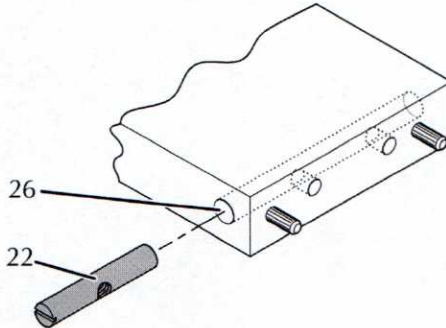


12. Insert the lateral bolt (pos. 22) into the hole for the lateral bolt (pos. 26) on the top of the rear grill (pos. 13).

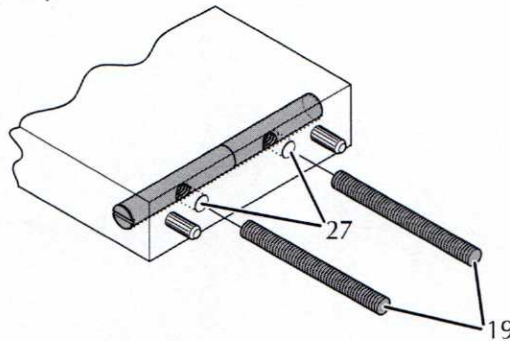




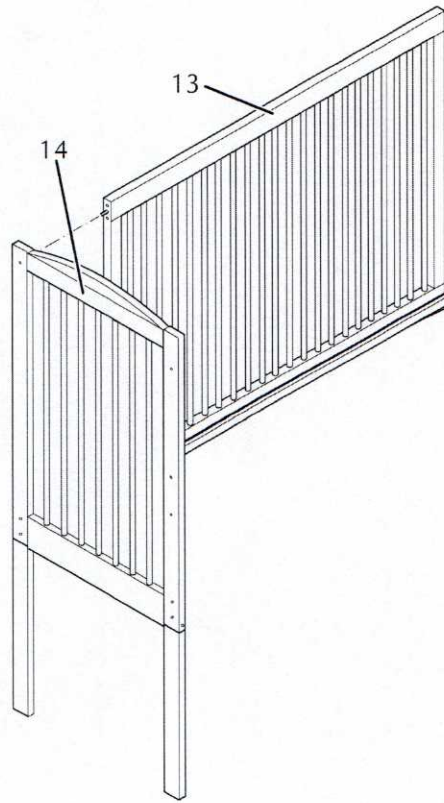
13. This step requires 2 lateral bolts per side. Insert the lateral bolts (pos. 22) into the hole for the lateral bolts (pos. 26) on the bottom of the rear grill (pos. 13). The hole for the lateral bolts is not adapted to the length of the lateral bolts. Do not push the lateral bolt all the way into the hole for the lateral bolt until it stops.



14. Look through the hole for the threaded pin (pos. 19) and position the lateral bolt in such a manner that the opening in the lateral bolt is in line with the hole for the threaded pin. Use a slotted screwdriver for positioning.
15. Insert the threaded pin (pos. 19) into the hole for the threaded pin (pos. 27).
16. Screw the threaded pin into the lateral bolt one rotation. Do not screw the threaded pin all the way into the lateral bolt until it stops.

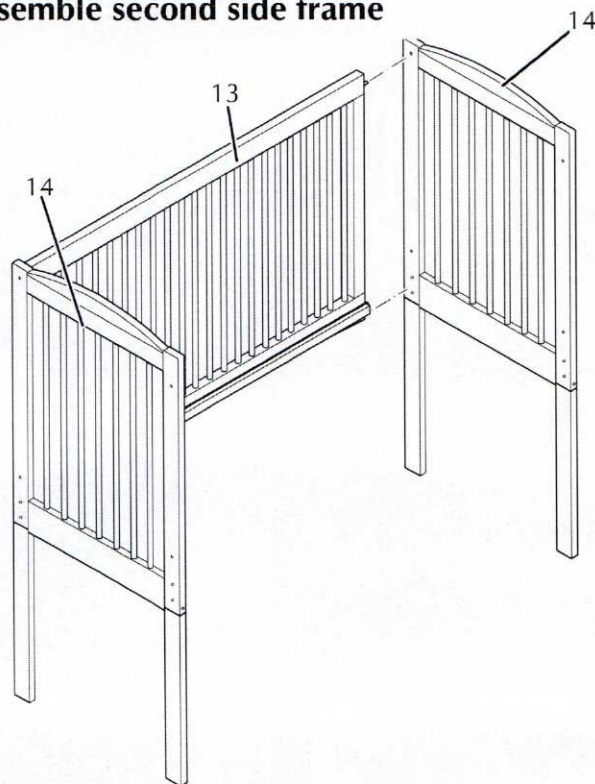


17. Screw the threaded pins (pos. 19) into the fastening profiles on the sides of the folding doors (pos. 15).
18. Hold the side frame (pos. 14) in upright position with the help of another person.
19. Take the rear grill (pos. 13) and put the threaded pins (pos. 19) into the upper and lower drilled holes of the side frame. The dowels have to fit exactly into the corresponding drilled holes.
20. Now screw the rear grill (pos. 13) with the brass caps (pos. 23).



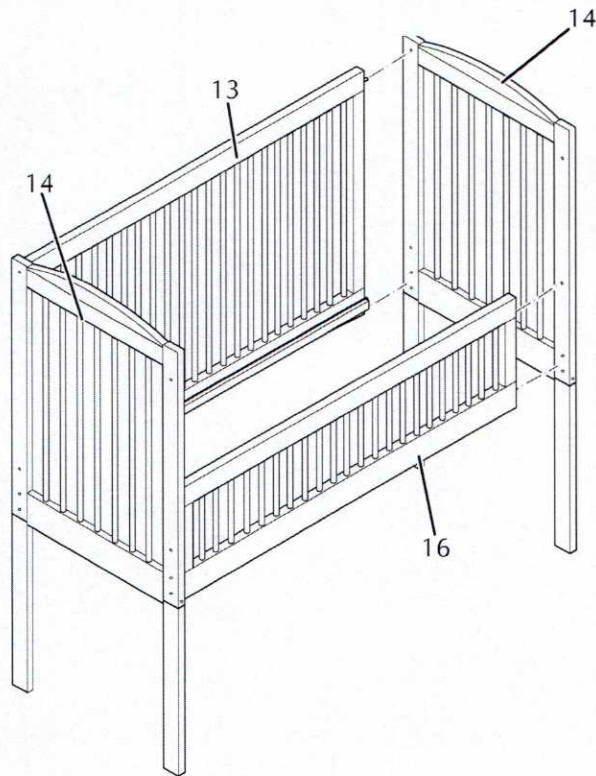
21. Connect the second side frame (pos. 14) to the rear grill (pos. 13) and screw the brass caps (pos. 23) on loosely.

**Assemble second side frame**





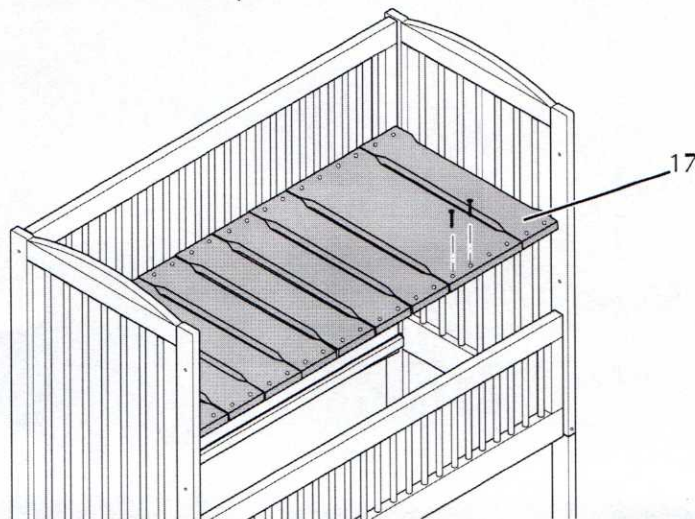
22. Then position the front frame connector (pos. 16) with the side frames (pos. 14) and pay attention that the support slats are inside the crib. Make sure that all threaded pins (pos. 19) line up with the side frames (pos. 14) and secure with brass caps (pos. 23).



23. Check all brass caps (pos. 23) to make sure that they are tightly secured on the crib.

### **Mattress support**

1. Put the mattress support (pos. 17) onto the support slats and attach it with the screws (pos. 24)

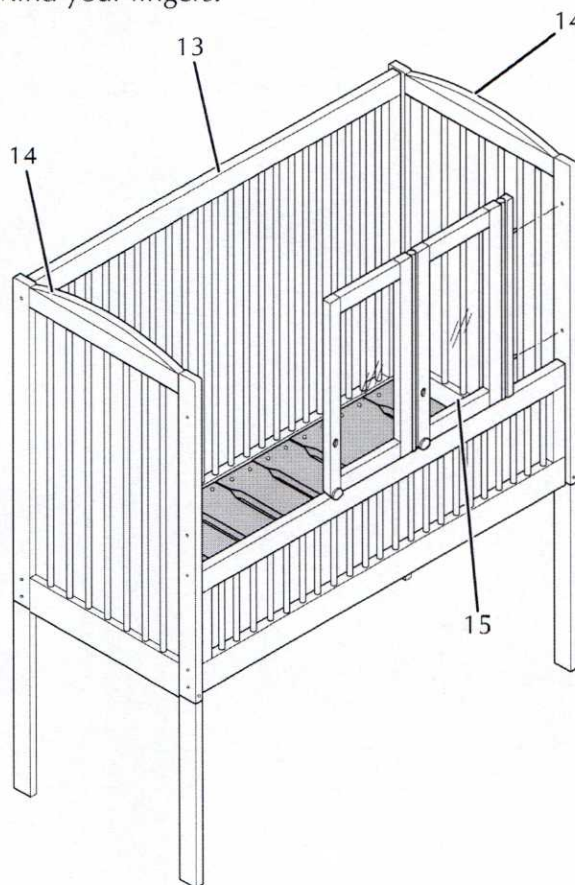


## Assembling the folding doors

### ▲ CAUTION!

Movable components. The folding doors can shut and crush fingers.

◆ Mind your fingers.



1. Unfold one folding door (pos. 15) completely.
2. Insert the open folding door into the aluminum runner of the frame connector with the guide pins down. The door traps must be on the outside, the guide pin must point downward. This will automatically indicate the door side.
3. Push the folding door to the respective side frame in the aluminum runner. At the same time direct the threaded pins into the openings of the side frame.
4. Screw the brass caps (pos. 23) onto the threaded pins and tighten them. Assemble the other folding door. Proceed in the same manner as with the first folding door.
5. To open and lock the assembled doors see Chapter "How to operate the four doors".



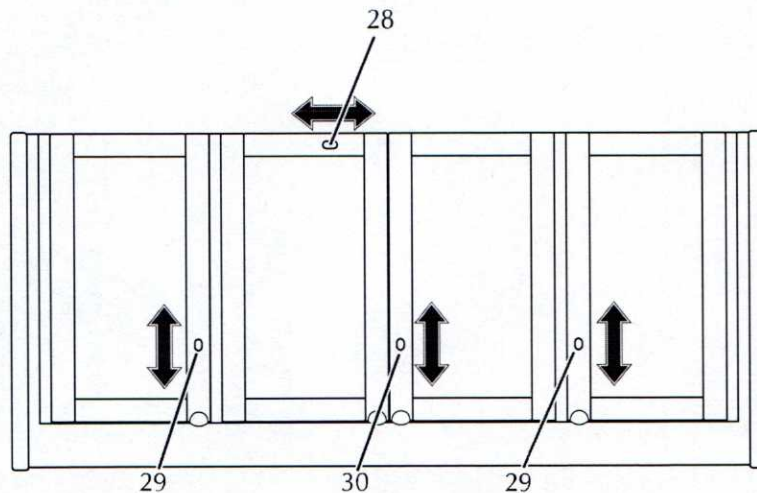
## How to operate the four doors

Gertie Crib is equipped with four folding doors.

Two middle doors lock and unlock jointly with a double latch system to prevent accidental locking and unlocking of the doors.

The end doors can be unlocked individually when the middle doors are in unlocked position.

### Unlocking the folding doors



1. In order to unlock the middle folding doors, push the upper latch (pos. 28) to the left and hold it in this position. Then push the latch (pos. 30) up and open the door outward. Now both middle doors are unlocked.
2. To open either end folding doors, push the door latch (pos. 29) up.

### Locking the folding doors

1. Lock both end doors first before locking the middle doors.
2. Lock the side door by pushing the latch (pos. 29) up and releasing it when door is closed. This latch is spring loaded.
3. To lock the middle doors, close the left middle door first. Push the latch (pos. 28) to left and hold it. Then close the right middle door while pushing the latch (pos. 30) up. Release both latches. Now both middle doors are locked.

#### Note

All door latches are spring loaded. The middle doors have double latch system to prevent accidentally leaving these doors unlocked.

## 6 Cleaning

---

### Baby crib cleaning

#### Attention

- ◆ Do not use any solvents or abrasives.
- 1. Wipe the baby crib with a damp cloth by hand. Ensure that no moisture reaches the components.
- 2. Allow the baby crib to dry.

## 7 Maintenance / Repair

---

A periodical visual check should be made of all screws and tighten the screws if needed. Operate doors and locks to make sure they are working properly. In case of malfunction and for repairs or to purchase spare parts please call or write to:

Mobility Unlimited, Inc.  
515 N 12th Street, Allentown PA 18102  
Phone: 1-800-547-7880

If refinishing, use a non-toxic finish specified for children's products. Follow warnings on all products in a crib.

## 8 Register

---

To register for important safety alerts and updates to your product please fill out the enclosed self addressed post card and mail it to us.

## 9 Fault

---

Fault	Cause	Measure
The folding doors cannot be opened	The door latch is still locked.	Open the door latch (see "Open/close door latch" section).



## 10 Dismantling

---

### Attention

#### Baby crib dismantling

#### ⚠ WARNING!

Remove the baby from crib before dismantling it.

1. Open the folding doors (pos. 16) (see Open/close folding doors" section).
2. Remove the mattress.
3. Remove the solid wood floor

#### ⚠ CAUTION!

Movable components. The folding doors (pos. 15) can fold shut and trap extremities. Pay attention to your extremities.

4. Loosen the brass caps of the door with the Hex-wrench (pos. 24) and take them out.
5. Loosen the brass caps (pos. 22) of the rear grill (pos. 13) and the frame connector (pos. 16). Separate the side frame (pos. 14) from the rear grill (pos. 13).
6. Secure the side frame with another person.
7. Loosen the brass caps from the rear grill (pos. 13) and the frame connector (pos. 16) and take away the rear grill (pos. 13) and the frame connector (pos. 16).

## 11 Accessories

---

#### Standard accessories

---

Wooden bed base

---

Foam mattress KM3

---

## 12 Spare parts list

Threaded pins 8 x 140 mm
Threaded pins 8 x 95 mm
Threaded pins 8 x 65 mm
Threaded pins 8 x 45 mm
Brass caps
Lateral bolt 50 mm
Screws 3 x 30 mm
Hex-wrench

## 13 Technical data

Total height	65,2" / 165,5 cm
Total length	54.7" / 139 cm
Total width	32" / 82 cm
Internal measurement	52 x 28" / 132 x 72 cm
Lying height top edge of mattress	27" / 68,5 cm
Door height	23.5" / 60 cm
Max. mattress thickness	6" / 15 cm
Fittings	2.9 lbs / 1,3 kg
4 Posts	11.2 lbs / 5,1 kg
4 Small posts	1.7 lbs / 0,75 kg
1 Door	18.3 lbs / 8,3 kg
1 Door	18.3 lbs / 8,3 kg
1 Rear grill	24.5 lbs / 11,1 kg
1 Frame connector	17,2 lbs / 7,8 kg
2 Side frames	43.5 lbs / 19,75 kg
1 Mattress support	19.6 lbs / 8,9 kg
Net Weight	157.2 lbs / 71,3 kg
Gross Weight	167.5 lbs / 76,1 kg
Bed surface base	Wooden bed base
Package outer dimensions	137 x 111 x 17 cm 53.9 x 43.7 x 6.7 inch

### Ambient conditions

Temperature range in operation	+10 °C to + 40 °C +50 °F to + 104 °F
Temperature range for storage/ transport	-10 °C to + 60 °C -50 °F to + 140 °F
Humidity	30 % to 75 % rel.



**Original product registration card attached**

**PRODUCT REGISTRATION CARD**

Exclusive U.S.A. distributor of KayserBetten Products:  
Mobility Unlimited, Inc. 515 N 12th Street, Allentown, PA 18102  
1-800-574-7880, Fax 610-433-7972, e-mail: info@MobilityUnlimitedInc.com

To register your Gertie Crib, please complete and mail this card. We will use the information provided on this card to contact you only if there is a safety alert or recall of this product. We will not sell, rent or share your personal information. Thank you.

Name: \_\_\_\_\_

Mailing address: \_\_\_\_\_

City: \_\_\_\_\_ State: \_\_\_\_\_ Zip Code: \_\_\_\_\_

Telephone number: \_\_\_\_\_ E-mail: \_\_\_\_\_

You can find the following information on the label affixed on the side of Gertie Crib

Model: \_\_\_\_\_ SN: \_\_\_\_\_

Date Manufactured: \_\_\_\_\_

\_\_\_\_\_  
\_\_\_\_\_  
\_\_\_\_\_

PLEASE  
PLACE  
STAMP  
HERE

**Mobility Unlimited, Inc.**

**515 N 12th Street**

**Allentown, PA 18102**

KaysenBetten GmbH & Co. KG  
Rieper Straße 12  
D-29683 Bad Fallingbommel  
Telephone: +49 5163-6595  
Telefax: +49 5163-2076  
info@kaysenbetten.de  
www.kaysenbetten.de