

*MODEL # FS660-T*

***Free Spirit***

Bariatric Electric Patient Lift

**User Manual**

*BEFORE using this product, read this manual and save for future reference.*

**MedaCure**<sup>®</sup>  
Innovative Healthcare Solutions

# User Manual

**Free Spirit**  
Bariatric Electric Patient Lift

<b>1</b>	<b>GENERAL</b>	<b>4</b>
	Symbols .....	4
	Warnings .....	4
	Medacure Limited Warranty .....	5
<b>2</b>	<b>SAFETY</b>	<b>6</b>
	General Guidelines.....	6
	Operating Information.....	6
	General .....	6
	Pinch Points and Positioning .....	7
	Assembling the Lift .....	7
	Operating the Lift .....	7
	Using the Sling .....	8
	Lifting the Patient.....	9
	Transferring the Patient .....	10
	Performing Maintenance .....	10
	Electrical and Grounding .....	11
	Disposal.....	11
	Radio Frequency Interference .....	11
<b>3</b>	<b>ASSEMBLY</b>	<b>12</b>
	Introduction .....	12
	Patient Lift Assembly Parts .....	12
	Main Frame and Base Assembly.....	13
	Arm Lift Assembly .....	14

	Motor Assembly .....	15
	Control Box Assembly .....	16
<b>4</b>	<b><u>OPERATION</u></b> .....	<b>18</b>
	Introduction .....	18
	Remote Handset.....	18
	Control box operation .....	19
	Emergency Stop.....	19
	Base Width Adjustment .....	19
	Mechanical Emergency Lowering Function .....	20
	Caster Locking Function .....	21
	Battery Recharging and Replacement .....	21
<b>5</b>	<b><u>LIFTING THE PATIENT</u></b> .....	<b>23</b>
	Introduction .....	23
	Positioning the Patient Lift .....	23
	Attaching a Sling .....	23
	Lifting/Moving the Patient.....	24
<b>6</b>	<b><u>TRANSFERRING THE PATIENT</u></b> .....	<b>25</b>
	Introduction .....	25
	Transferring to a Commode Chair .....	26
	Transferring to a Standard Commode .....	26
	Transferring to a Bathing Unit.....	27
	Transferring to a Wheelchair .....	28

---

# 1 General

---

## Symbols

### Warnings

Caution words and symbols are used in this manual and apply to hazards or unsafe practices which may result in personal injury or damage. See the information below for definitions of these symbols.



#### **DANGER**

Danger indicates an impending hazardous situation which if not avoided, **will** result in death or serious injury.



#### **WARNING**

Warning indicates a potentially hazardous situation which if not avoided, **could** result in death or serious injury.



#### **CAUTION**

Caution indicates a potentially hazardous situation which if not avoided, **may** result in property damage or minor injury or both.



#### **IMPORTANT**

Indicates a hazardous situation that **could** result in damage to property if not avoided.

## 1 General LIMITED

### WARRANTY

#### MEDACURE LIMITED WARRANTY

This warranty is extended only to the original purchaser who purchases this product when new and unused from MedaCure or a dealer. This warranty is not extended to any other person or entity and is not transferable or assignable to any subsequent purchaser or owner. Coverage under this warranty will end upon any such subsequent sale or other transfer of title to any other person.

This warranty gives you specific legal rights and you may also have other legal rights which vary from state to state.

MedaCure warrants the mattress and cover when purchased new and unused to be free from defects in materials and workmanship for a period of one (1) year from the date of purchase from MedaCure or a dealer, with a copy of the seller's invoice required for coverage under this warranty. MedaCure warrants the control unit when purchased new and unused to be free from defects in materials and workmanship for a period of one (1) year from the date of purchase from MedaCure or a dealer, with a copy of the seller's invoice required for coverage under this warranty. If within such warranty period any such product shall be proven to be defective, such product shall be repaired or replaced, at MedaCure's option. This warranty does not include any labor or shipping charges incurred in replacement part installation or repair of any such product. MedaCure's sole obligation and your exclusive remedy under this warranty shall be limited to such repair and/or replacement.

For warranty service, please contact the dealer from whom you purchased your MedaCure product or MedaCure customer service only if purchased from MedaCure direct. Provide model number, and the date of purchase, indicate nature of the defect and, if the product is serialized, indicate the serial number.

DO NOT return products to MedaCure without prior consent. Please obtain a return authorization number from MedaCure. C.O.D. shipments will be refused; return shipping charges must be prepaid. The defective unit or parts must be returned for warranty inspection using the serial number, when applicable, as identification within thirty days of return authorization date.

LIMITATIONS AND EXCLUSIONS: THE WARRANTY SHALL NOT APPLY TO PROBLEMS ARISING FROM NORMAL WEAR OR FAILURE TO ADHERE TO THE INSTRUCTION MANUAL THAT COMES WITH THE PRODUCT. IN ADDITION, THE FOREGOING WARRANTY SHALL NOT APPLY TO SERIAL NUMBERED PRODUCTS IF THE SERIAL NUMBER HAS BEEN REMOVED OR DEFACED; PRODUCTS SUBJECTED TO NEGLIGENCE, ACCIDENT, IMPROPER OPERATION, MAINTENANCE OR STORAGE; OR PRODUCTS MODIFIED WITHOUT MEDACURE'S EXPRESS WRITTEN CONSENT INCLUDING, BUT NOT LIMITED TO: MODIFICATION THROUGH THE USE OF UNAUTHORIZED PARTS OR ATTACHMENTS; PRODUCTS DAMAGED BY REASON OF REPAIRS MADE TO ANY COMPONENT WITHOUT THE SPECIFIC CONSENT OF MEDACURE; PRODUCTS DAMAGED BY CIRCUMSTANCES BEYOND MEDACURE'S CONTROL; PRODUCTS REPAIRED BY ANYONE OTHER THAN AN MEDACURE DEALER, SUCH EVALUATION SHALL BE SOLELY DETERMINED BY MEDACURE.

THE FOREGOING EXPRESS WARRANTY IS EXCLUSIVE AND IN LIEU OF ALL OTHER EXPRESS WARRANTIES WHATSOEVER, WHETHER EXPRESS OR IMPLIED, INCLUDING THE IMPLIED WARRANTIES OF MERCHANTABILITY AND FITNESS FOR A PARTICULAR PURPOSE AND THE SOLE REMEDY FOR VIOLATIONS OF ANY WARRANTY WHATSOEVER, SHALL BE LIMITED TO REPAIR OR REPLACEMENT OF THE DEFECTIVE PRODUCT PURSUANT TO THE TERMS CONTAINED HEREIN. THE APPLICATION OF ANY IMPLIED WARRANTY WHATSOEVER SHALL NOT EXTEND BEYOND THE DURATION OF THE EXPRESS WARRANTY PROVIDED HEREIN. MEDACURE SHALL NOT BE LIABLE FOR ANY CONSEQUENTIAL OR INCIDENTAL DAMAGES WHATSOEVER.

THIS WARRANTY SHALL BE EXTENDED TO COMPLY WITH STATE/PROVINCIAL LAWS AND REQUIREMENTS

---

## 2 Safety

---

This Safety section contains important information for the safe operation and use of this product.

### 2.1 General Guidelines



#### **WARNING**

DO NOT use this product without completely reading this owner's manual and any other information supplied with this product and optional accessory to this product. If you are unable to understand the warnings, cautions or instructions, contact a healthcare professional, dealer or technical personnel before attempting to use this equipment - otherwise, injury or damage may occur.



#### **ACCESSORIES WARNING**

Medacure products are specifically designed and manufactured for use in conjunction with Medacure accessories. Accessories designed by other manufacturers have not been tested by Medacure and are not recommended for use with Medacure products.



#### **NOTICE**

THE INFORMATION CONTAINED IN THIS DOCUMENT IS SUBJECT TO CHANGE WITHOUT NOTICE.

### 2.2 Operating Information

#### **General**



#### **WARNING**

The Medacure Free Spirit Patient Lift is **NOT** a transport device. It is intended to transfer an individual from one resting surface to another (such as a bed to a wheelchair). Otherwise injury or damage may occur.

DO NOT attempt any transfer without approval of the patient's physician, nurse or medical assistant.

Special care **MUST BE** taken with people with disabilities who cannot assist or cooperate while being lifted and transported.

**Medacure slings and patient lift accessories are specifically designed to be used in conjunction with Medacure patient lifts.**

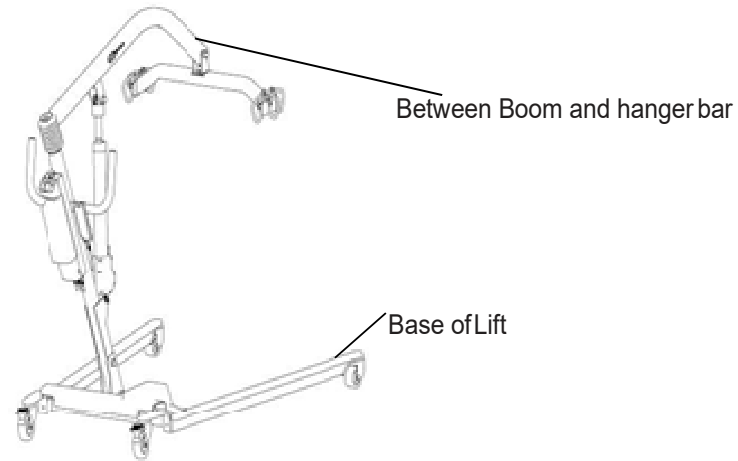
**Slings and accessories designed by other manufacturers are not to be used as a part for this or other Medacure patient lift system.**

## Pinch Points and Positioning



### WARNING

Pinch points exist between boom and hanger bar. Pinch points also exist at base of lift. When positioning lift, be aware of the position of the hanger bar and that patient injury could occur.



## Assembling the Lift



### WARNING

DO NOT overtighten mounting hardware. This will damage mounting brackets.

## Operating the Lift



### WARNING

Make sure you hear a click when mounting battery on the battery charger to confirm proper mounting. Otherwise, injury or damage may occur.

DO NOT exceed maximum weight limitation of the patient lift. The weight limitation for the FS660-T is 660 lbs. ALWAYS keep hands and fingers clear of moving parts to avoid injury.

## Using the Sling



### WARNING

Only use a Medacure approved sling that is recommended by the individual's doctor, nurse or medical assistant for the comfort and safety of the individual being lifted.

DO NOT use any kind of plastic back incontinence pad or seating cushion between patient and sling material that may cause the patient to slide out of the sling during transfer.

After each laundering (in accordance with instructions on the sling), inspect sling(s) for wear, tears, and loose stitching.

Bleached, torn, cut, frayed, or broken slings are unsafe and could result in injury. Discard immediately.

DO NOT alter slings.

Be sure to check the sling attachments each time the sling is removed and replaced, to ensure that it is properly attached before the patient is removed from an object such as a bed, wheelchair or commode.

If the patient is in a wheelchair, secure the wheel locks in place to prevent the chair from moving forwards or backwards.

When connecting slings equipped with color coded straps to the patient lift, the shortest of the straps MUST be at the back of the patient for proper support. Using the long section will leave little or no support for the patient's back. The loops of the sling are color coded and can be used to place the patient in various positions. The colors make it easy to connect both sides of the sling equally. Make sure that there is sufficient head support when lifting a patient.



## Lifting the Patient



### **WARNING**

When using an adjustable base lift, the legs **MUST** be in the maximum Opened/Locked position before lifting the patient.

When elevated a few inches off the surface of the stationary object (wheelchair, commode, or bed) and before moving the patient, check again to make sure that the sling is properly connected to the hooks of the hanger bar. If any attachments are not properly in place, lower the patient back onto the object such as a bed, wheelchair or commode and correct this problem.

Adjustments for safety and comfort should be made before moving the patient. Ensure the patient's arms are on the inside of the straps. Medacure slings are made specifically for use with Medacure Patient Lifts. For the safety of the patient, **DO NOT** intermix slings and patient lifts from other manufacturers otherwise the warranty will be voided.

During transfer, with patient suspended in a sling attached to the lift, **DO NOT** roll caster base over uneven surfaces that could cause the patient lift to tip over. Use steering handle on the mast at all times to push or pull the patient lift.

Medacure does not recommend locking of the rear casters of the patient lift when lifting an individual. Doing so could cause the lift to tip and endanger the patient and assistants. Medacure recommends that the rear casters be left unlocked during lifting procedures to allow the patient lift to stabilize itself when the patient is initially lifted from a chair, bed or any stationary object.

## Transferring the Patient



### **WARNING**

When elevated a few inches off the surface of the object such as a bed, wheelchair or commode and before moving the patient, check again to make sure that the sling is properly connected to the hooks of the hanger bar. If any attachments are not properly in place, lower the patient back onto the object and correct this problem.

Wheelchair wheel locks **MUST** be in the locked position before lowering the patient into the wheelchair for transport.

Be sure to check the sling attachments each time the sling is removed and replaced, to ensure that it is properly attached before the patient is removed from the bed or chair.

Mast pivot under the rubber boot must be tight to ensure safe use of the patient lift. Bolt should be checked periodically to ensure patients safety and safe use of the lift.

## Performing Maintenance



### **WARNING**

Maintenance **MUST** be performed periodically and **ONLY** by qualified personnel.

The hooks of the hanger bar and the mounting brackets of the boom should be inspected periodically to determine the extent of wear. If these parts become worn, replace immediately.

Casters and axle bolts require inspections to check for tightness and wear.

Inspect the hanger bar and the eye of the boom (to which it attaches) for wear. If the metal is worn, the parts **MUST** be replaced.

Regular maintenance of patient lifts and accessories is necessary to assure proper operation.

**DO NOT** overtighten mounting hardware. This will damage mounting brackets.

Inspect all pivot points and fasteners for wear. If the metal is worn, the parts **MUST** be replaced.

## Electrical and Grounding



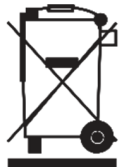
### WARNING

#### GROUNDING INSTRUCTIONS

DO NOT cut or remove the round grounding prong from the plug. Some devices are equipped with three-prong (grounding) plugs for protection against possible shock hazards. Where a two-prong wall receptacle is encountered, it is the personal responsibility and obligation of the customer to contact a qualified electrician and have the two-prong receptacle replaced with a properly grounded three-prong wall receptacle in accordance with the National Electrical Code. If you must use an extension cord, use **ONLY** a three-wire extension cord having the same or higher electrical rating as the device being connected.

Carefully read battery/battery charger information prior to installing, servicing or operating the Medacure patient lift.

## Disposal



### WARNING

This product has been supplied from an environmentally aware manufacturer that complies with the Waste Electrical and Electronic Equipment (WEEE) Directive 2002/96/CE.

DO NOT dispose of batteries in normal household waste. Device contains lead acid batteries. They **MUST** be taken to a proper disposal site. Contact your local waste management company for information.

This product may contain substances that could be harmful to the environment if disposed of in places (landfills) that are not appropriate according to legislation.

Please be environmentally responsible and recycle this product through your recycling facility at its end of life.

## 2.3 Radio Frequency Interference



### WARNING

Most electronic equipment is influenced by Radio Frequency Interference (RFI). **CAUTION** should be exercised with regard to the use of portable communication equipment in the area around such equipment. If RFI causes erratic behavior, **PUSH** the Red Power Switch **OFF** **IMMEDIATELY**. **DO NOT** turn the Power Switch **ON** while transmission is in progress.

## 3 Assembly

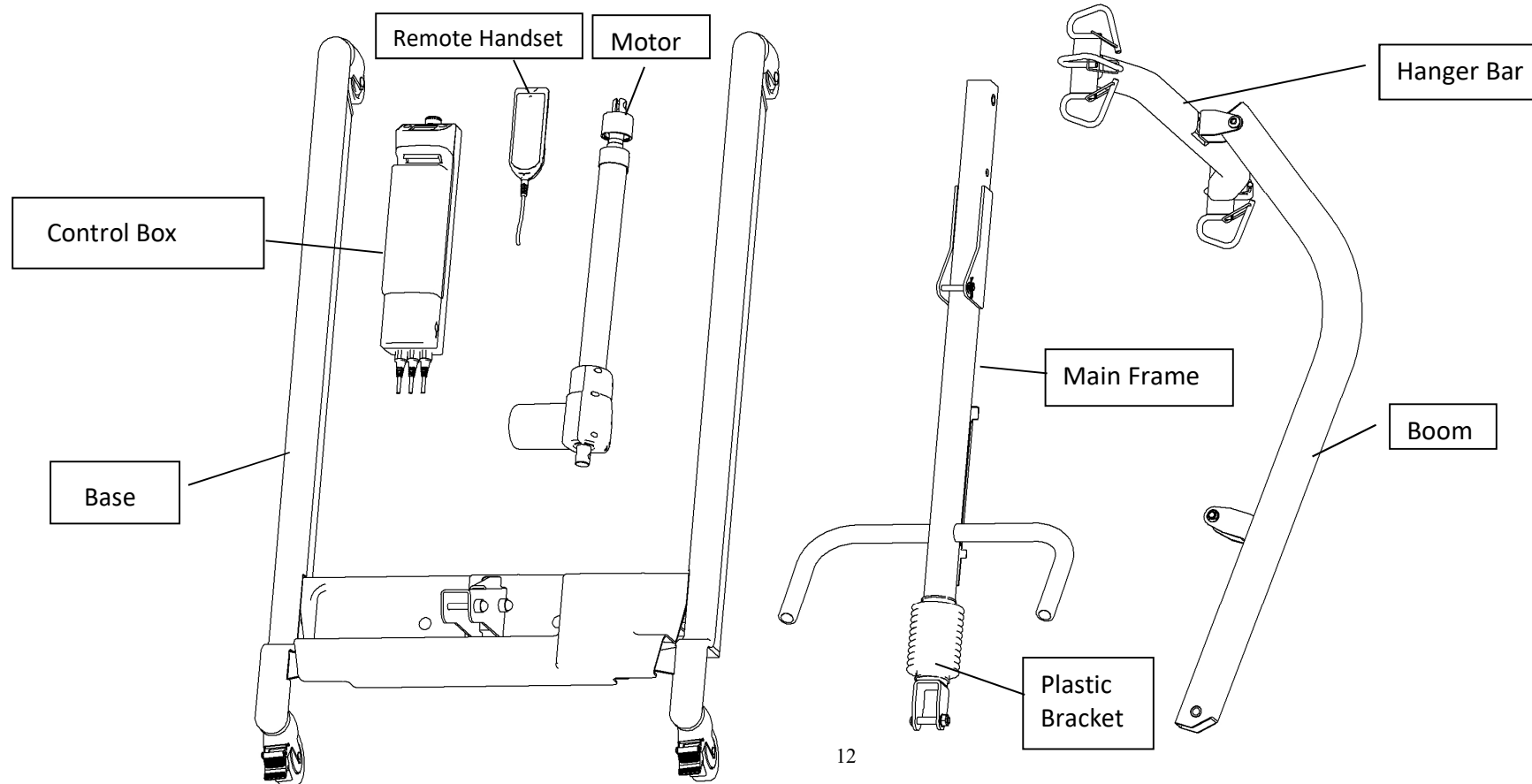
### 3.1 Introduction



#### WARNING

Use only Medacure parts in the assembly of this patient lift. The base legs, mast, boom assembly and the hanger bar are manufactured to specifications that assure correct alignment of all parts for safe functional operation.

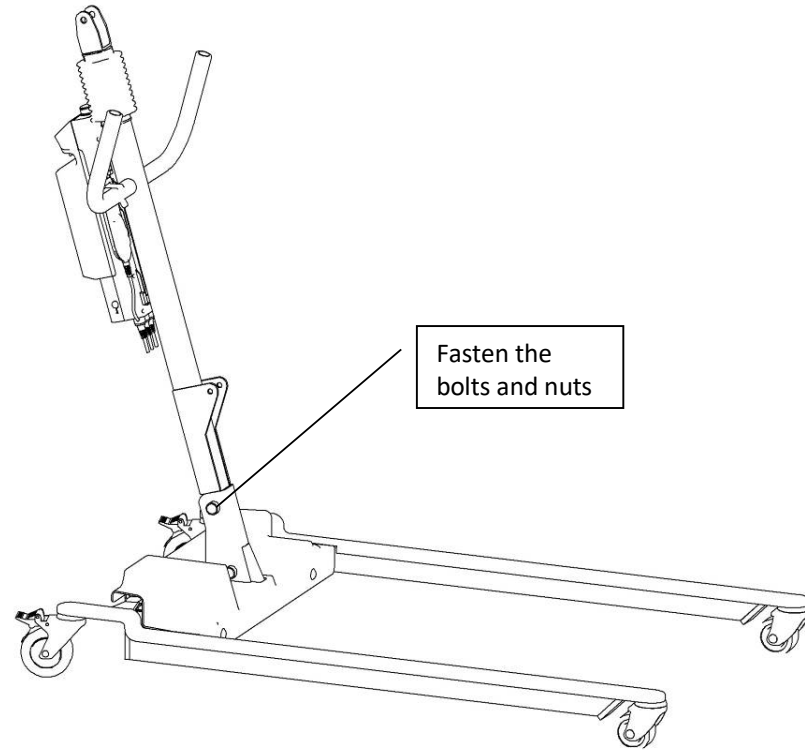
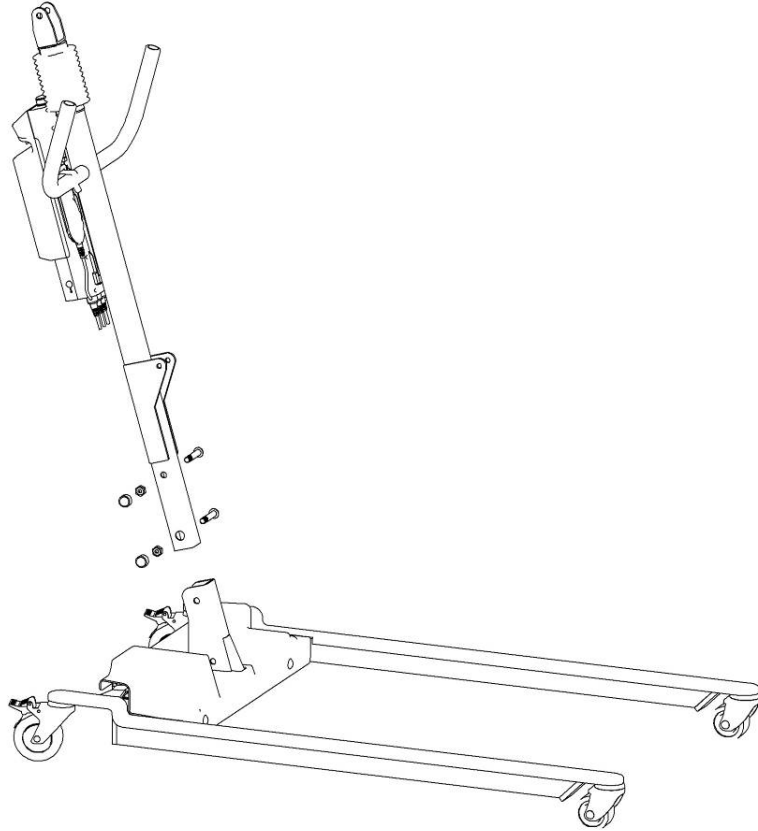
### 3.2 Patient Lift Assembly Parts - listed as per the images below



12

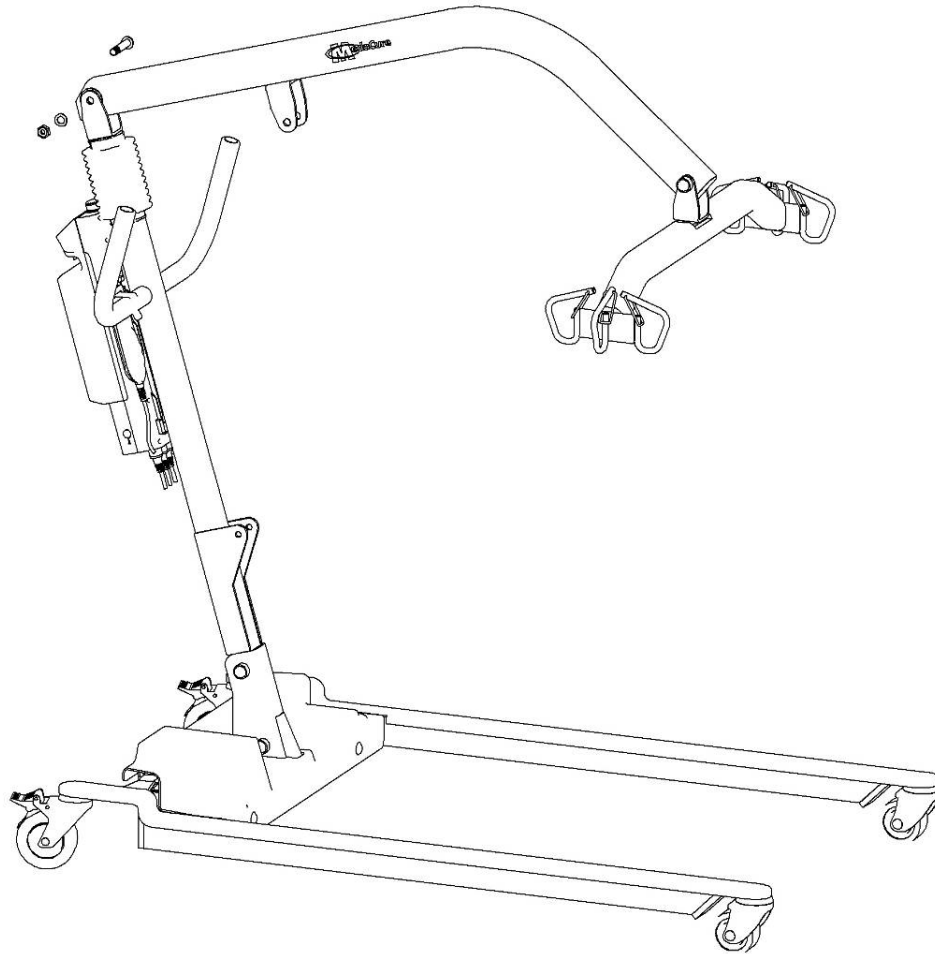
### 3.3 Main Frame and the Base Assembly

Hold the main frame straight and insert into the base part installation slot. Match the bolt hole, fasten the bolts and nuts with washer as per the illustration below.



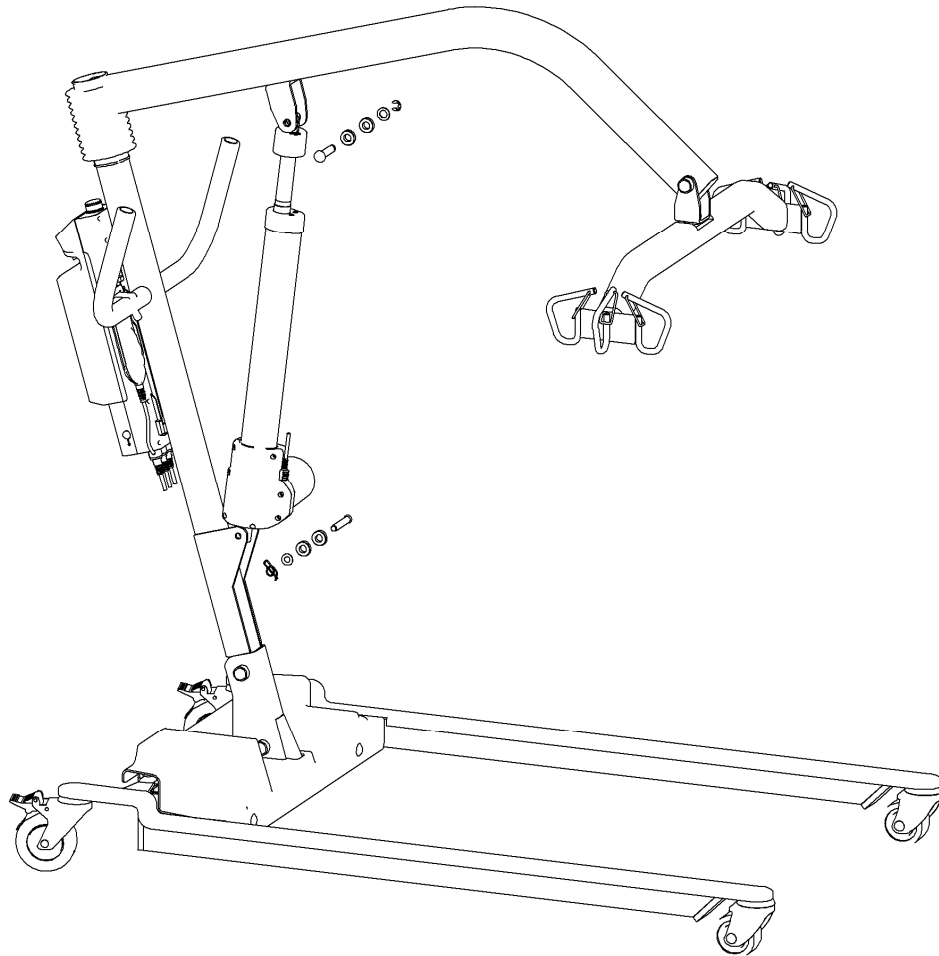
### 3.4 Arm Lift Assembly

Match the arm lift bolt hole with the main frame, adding the washer. Then fasten the bolt and nuts as per the illustration below.



### 3.5 Motor Assembly

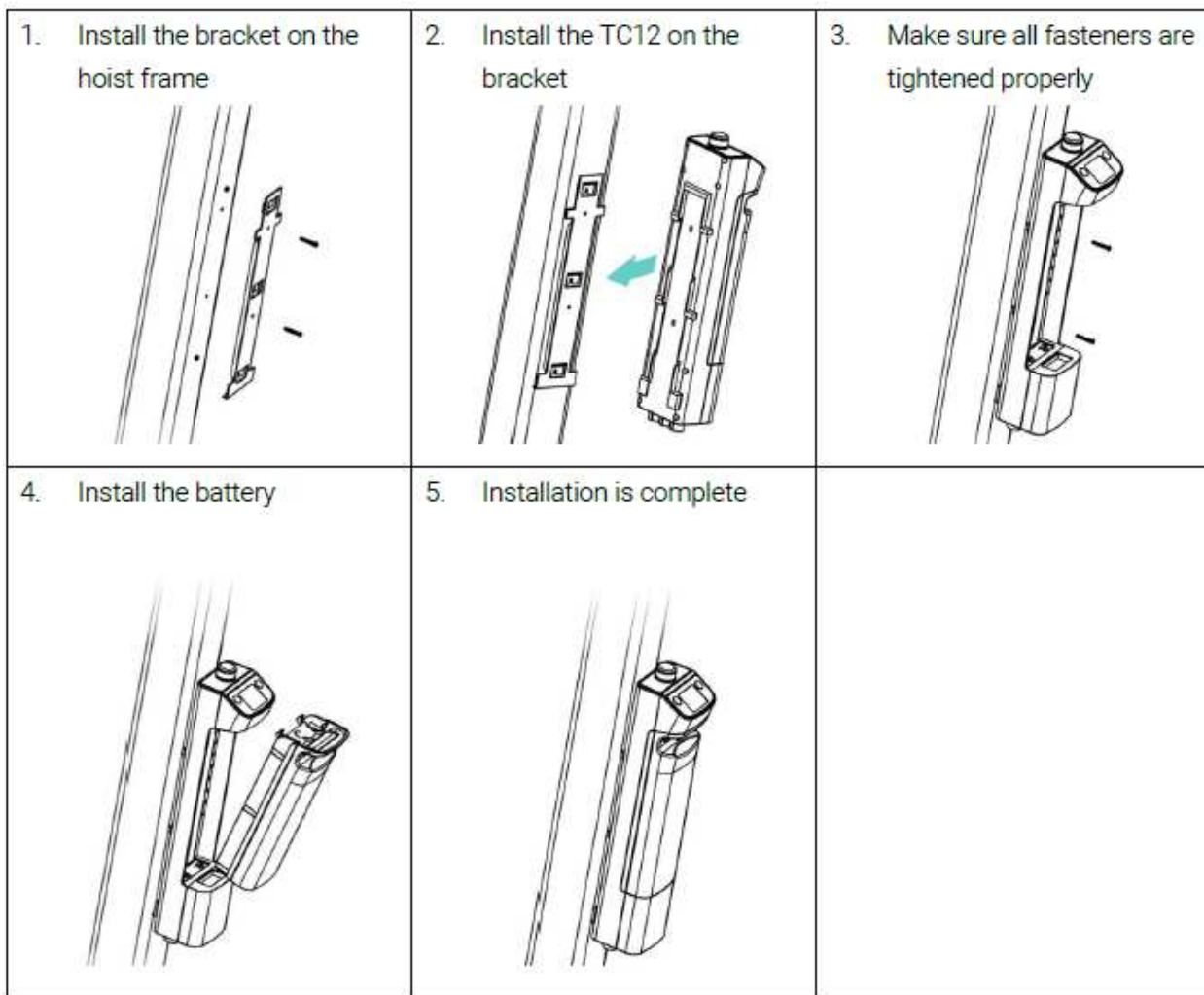
Install the motor with bolts and screws as per the illustration below.



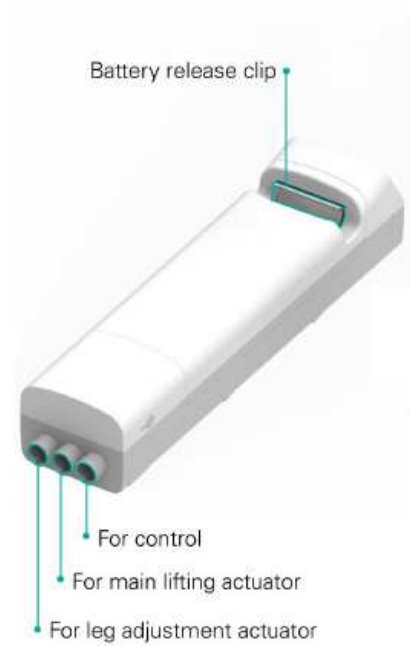
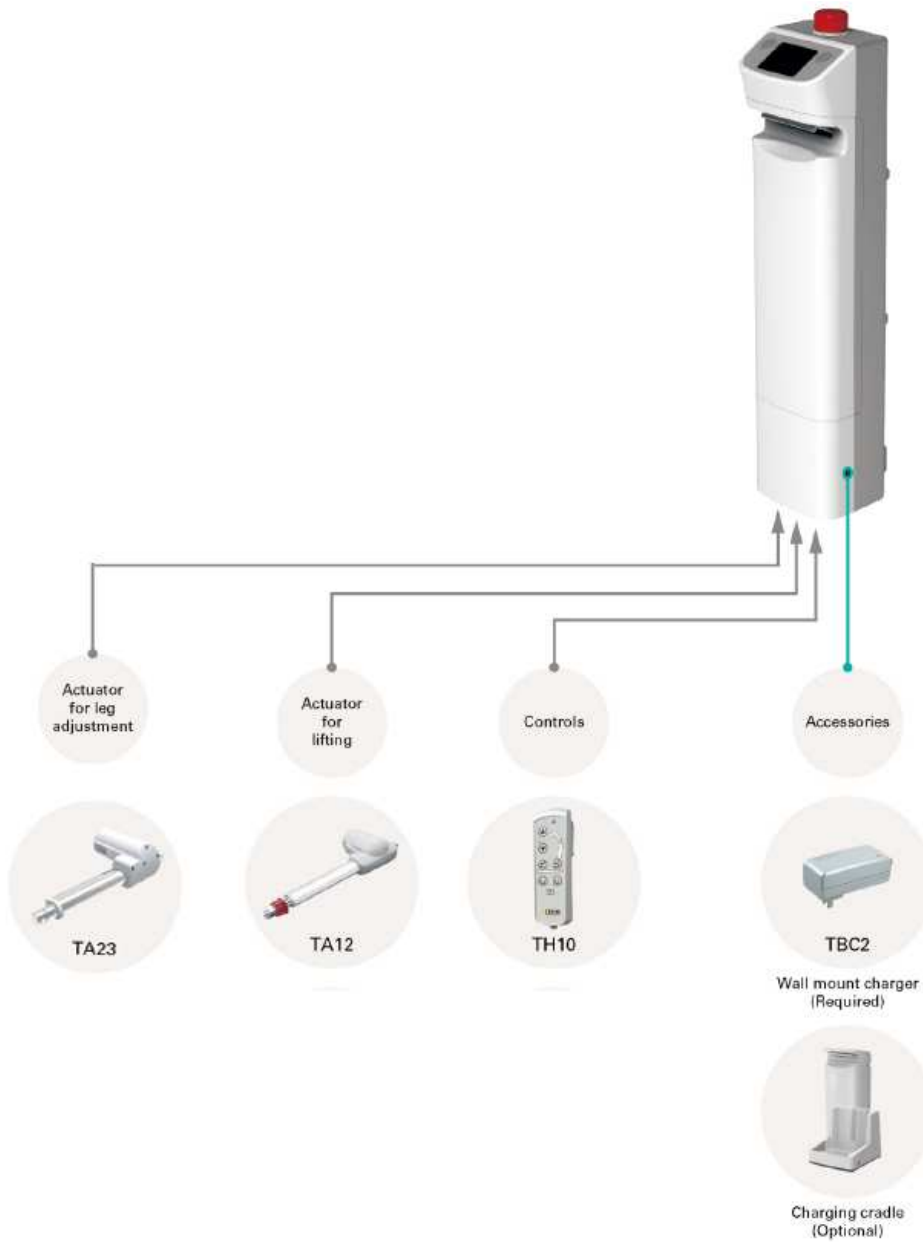
**IMPORTANT:**  
Secure the motor connection at the boom  
with the supplied E-ring

### 3.6 Control Box Assembly

Remove the control box cover, click the control box onto the main frame slot, then put the cover back on the control box. Connect the actuator and remote handset plugs to the control box as per the illustration below.







---

## 4 Operation

---

### 4.1 Introduction



#### **WARNING**

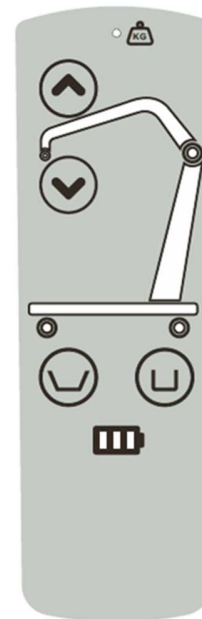
DO NOT attempt any transfer without approval of the patient's physician, nurse or medical assistant.

The legs of the lift must be in the maximum open position for optimum stability and safety. If it is necessary to close the legs of the lift to maneuver the lift under a bed, close the legs of the lift only as long as it takes to position the lift over the patient and lift the patient off the surface of the bed. When the legs of the lift are no longer under the bed, return the legs of the lift to the maximum open position.

Medacure recommends that two assistants be used for all lifting preparation and transferring to/from procedures. However, the patient lift can be operated with one assistant. The use of one assistant is based on the evaluation of the health care professional for each individual case.

### 4.2 Remote Handset

Press and hold the button to operate each function on the handset.



### 4.3 Control box operation

Press the left side up button to raise the boom. Press the right side down button to lower the boom.





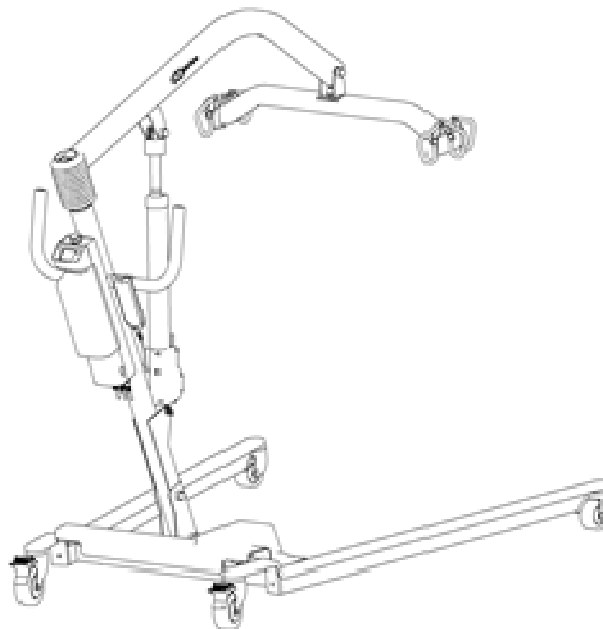
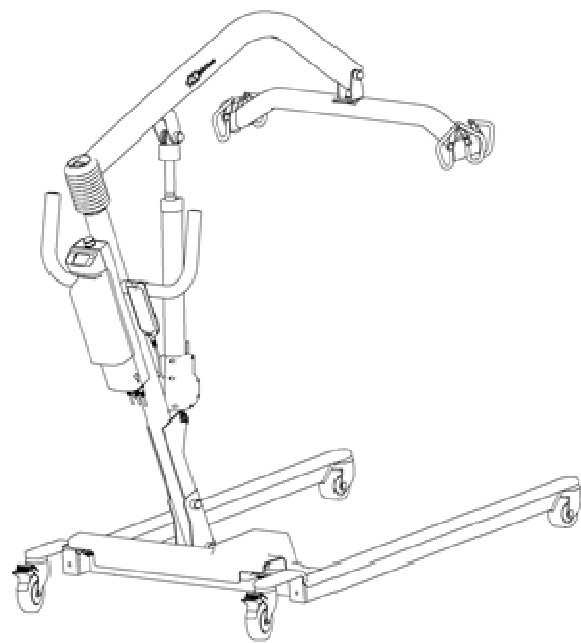
### 4.4 CPR Emergency Stop

Emergency Stop Function: Press the RED emergency button on the control box **in**, to stop the boom assembly and patient from raising or lowering. Release/Reset: To disengage the emergency stop function, follow the arrow direction and rotate the RED emergency stop button clockwise.



### 4.5 Base Width Adjustment

Actuator to adjust the base width. Press and hold the button  on the handset to widen the base. Press and hold the button  on the handset to narrow the base.



#### 4.6 Manual CPR Emergency Lowering Function

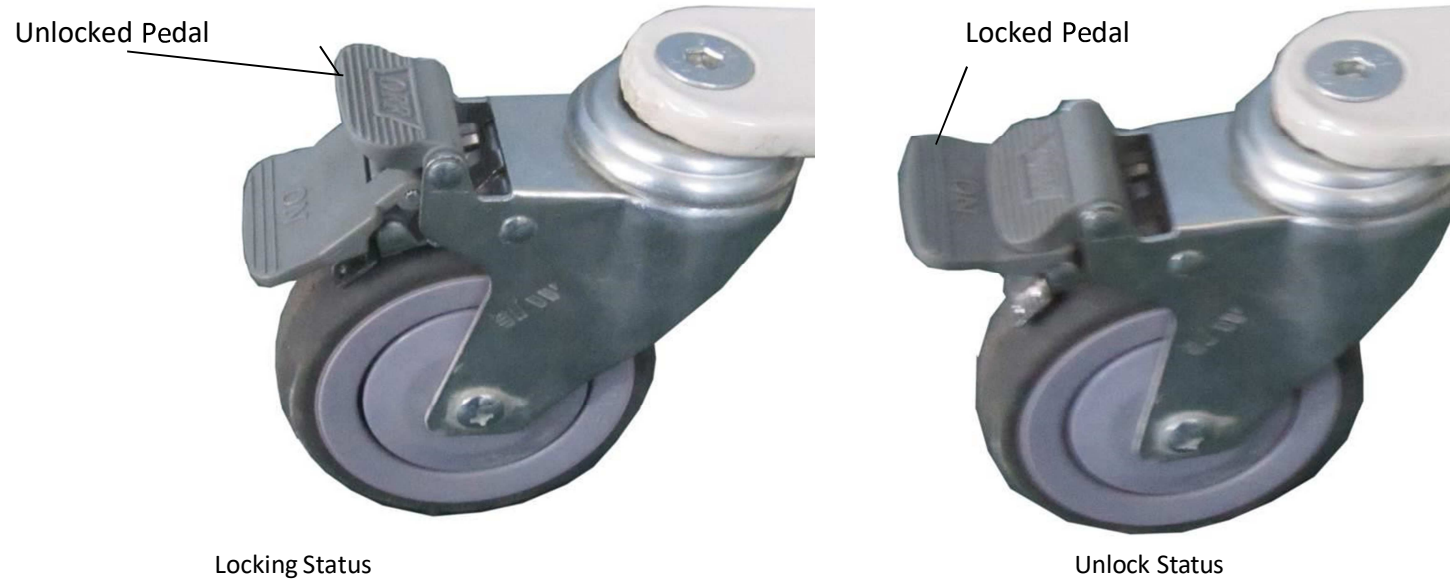
Turn the plastic red piece on the motor (as shown in the image below) in the clockwise direction to lower the arm lift. This function is used when the power in the backup battery is depleted and you need to manually lower the lift.



#### 4.7 Locking Caster

Lock and unlock the casters as per the illustration below.

In general, when lifting or lowering the patient, it is not necessary to lock the casters. However if the movement of the patient lift might cause an unsafe condition then it might be necessary to lock the casters.

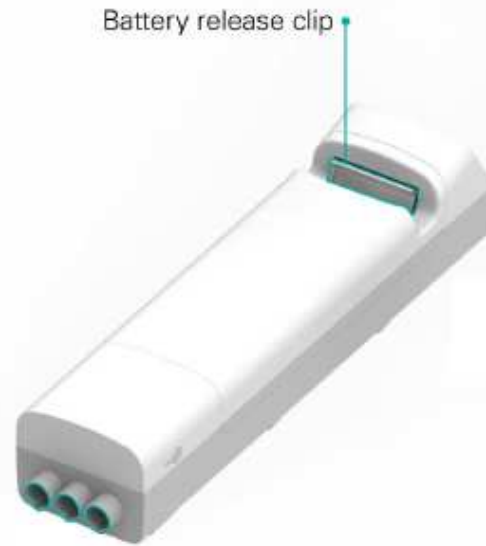
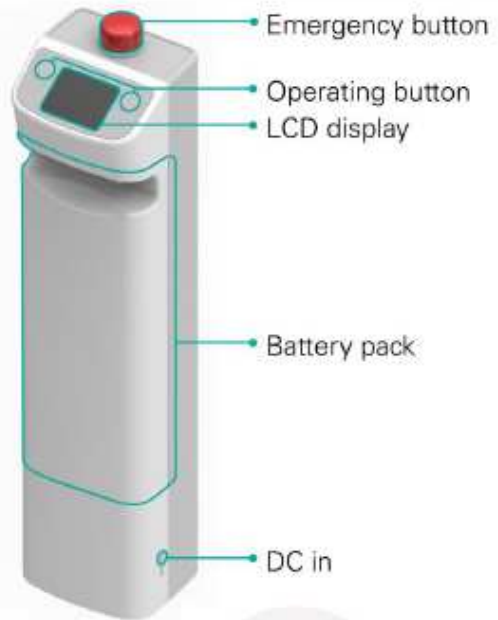


#### 4.8 Battery Recharging and Replacement

When the battery level is less than 25%, the warning sound will be on. This is a reminder to recharge the battery. Remove the plastic cover of "DC-IN" charging port, plug in wall-mounted charger to charge the battery as per the illustration below.

Remark: When the backup battery is not in use, place it in a dry cool area. The battery should be fully charged once a month. Battery can be replaced.

Release the old battery by pressing the battery release clip upward and install the new battery as per the illustration below.



TBC2

Wall mount charger  
(Required)



Charging cradle  
(Optional)



---

## 5 Lifting the Patient

---

### 5.1 Introduction



Medacure recommends that two assistants be used for all lifting preparation and transferring to/from procedures; however, our equipment will permit proper operation with one assistant. Proper evaluation each individual case by a healthcare professional is required..

### 5.2 Positioning the Patient Lift



Refer to Safety on page 7 in this manual before proceeding further and observe all warnings indicated. Before positioning the legs of the patient lift under a bed, make sure that the area is clear of any obstructions.



#### **WARNING**

The legs of the lift must be in the maximum open position for optimum stability and safety. If it is necessary to close the legs of the lift to maneuver the lift under a bed, close the legs of the lift only as long as it takes to position the lift over the patient and lift the patient off the surface of the bed. When the legs of the lift are no longer under the bed, return the legs of the lift to the maximum open position and lock the shifter handle immediately.

1. Press the legs open button on the hand control to open the legs of the patient lift to maximum.
2. Position the patient lift using the steering handle.
3. Press the boom down button on the hand control to lower the boom for easy attachment of the sling.

### 5.3 Attaching a Sling

1. Place the straps of the sling over the hooks of the hanger bar.
2. Match the corresponding colors on each side of the sling for an even lift of the patient.
3. Using the lift. Refer to Lifting/Moving the Patient on page 20.

Medacure slings are available as a Full Body Sling with and without the Commode Opening.

## 5.4 Lifting/Moving the Patient



### **WARNING**

DO NOT lock the rear casters of the patient lift when lifting an individual. Locking the rear casters could cause the patient lift to tip and endanger the patient and assistants.

DO NOT move the patient if the sling is not properly connected to the hooks of the hanger bar. When the sling is elevated a few inches off of the stationary surface and before moving the patient, check again to make sure that the sling is properly connected to the hooks of the hanger bar. If any attachments are NOT properly in place, lower the patient back onto the stationary surface and correct this problem - otherwise, injury or damage may occur.

Adjustments for safety and comfort should be made before moving the patient.

DO NOT use slings and patient lifts of different manufacturers. Medacure slings are made specifically for use with Medacure patient lifts.

When the patient is lifted from the bed (with the patient's head supported by the sling and/or an assistant), raise the patient to a sitting Position.

1. Press the boom UP (⬆️) button to raise the patient high enough to clear the bed. The patient's weight will be fully supported by the patient lift. The boom will stay in position until the boom DOWN (⬇️) button is pressed.
2. Place patient's arms inside of sling.
3. Swing the patient's feet off the bed when the patient is clear of the bed surface.
4. Move the patient lift away from the bed using the steering handle.
5. When moving the patient lift away from the bed turn the patient so that the patient faces the assistant operating the patient lift.
6. Press the boom DOWN (⬇️) button to lower the patient until the patient's legs straddle the mast and his feet rest on the base of the patient lift. The lower center of gravity provides stability making the patient feel more secure and the lift easier to move.
7. Pull the patient lift away from the bed and then push it from behind with both hands firmly on the steering handle.



---

## 6 Transferring the Patient

---

### 6.1 Introduction



#### **WARNING**

DO NOT attempt any transfer of a patient without approval of the patient's physician, nurse, or medical assistant.

DO NOT move the patient if the sling is not properly connected to the hooks of the hanger bar. When the sling is a few inches off the stationary surface and before moving the patient, check to make sure that the sling is properly connected to the hooks of the hanger bar. If any attachments are NOT properly in place, lower the patient back onto the stationary surface and correct this problem - otherwise, injury or damage may occur.

Adjustments for safety and comfort should be made before moving the patient. The patient's arms should be inside the straps.

DO NOT use slings and patient lifts of different manufacturers. Medacure slings are made specifically for use with Invacare patient lifts. Otherwise, injury or damage may occur.

DO NOT lock the rear casters of the patient lift when lifting an individual. Locking the rear casters could cause the patient lift to tip and endanger the patient and assistants.

The legs of the patient lift must be in the maximum open position for optimum stability and safety. If it is necessary to close the legs to maneuver the patient lift under a bed, close the legs only as long as it takes to position the patient lift over the patient and lift the patient off the surface of the bed. When the legs of the patient lift are no longer under the bed, return the legs to the maximum open position.

Be sure to check the sling attachments each time the sling is removed and replaced to ensure that it is properly attached before the patient is removed from a bed or chair.

The slings with commode openings are designed to be used with either a commode chair or standard commode.

## 6.2 Transferring to a Commode Chair

1. Lift the patient from the bed. Refer to [Lifting the Patient](#) on page 20.
2. Press the boom up button to elevate the patient high enough to clear the arms of the commode chair. Their weight will be supported by the patient lift.
3. Guide the patient onto the commode chair. This may require two assistants.
4. Press the boom down button to lower the patient onto the commode chair leaving the sling attached to the hanger bar hooks.
5. When complete, recheck the sling for correct attachments.
6. Press the boom up button to raise the patient off the commode chair.
7. When the patient is clear of the commode surface (using the steering handles), move the patient lift away from the commode chair.
8. To return the patient to bed, reverse the steps in [Lifting the Patient](#) on page 20.
9. To return or place the patient in a wheelchair, refer to [Transferring to a Wheelchair](#) on page 26

## 6.3 Transferring to a Standard Commode

**The Medacure patient lift is NOT intended as a transport device. If the bathroom facilities are NOT near the bed or if the patient lift cannot be easily maneuvered towards the commode, then the patient MUST be transferred to a wheelchair and transported to the bathroom facilities before using the patient lift again to position the patient on a standard commode. Refer to [Transferring to a Wheelchair](#) on page 26.**

1. Use an empty patient lift to check if the patient lift can maneuver around the commode.
2. If the patient lift can maneuver around the commode, lift the patient from the bed. Refer to [Lifting the Patient](#) on page 20.
3. Transport the patient to the bathroom facility.
4. Press the boom up/down buttons to elevate the patient high enough to clear the commode. Their weight will be supported by the patient lift.
5. Guide the patient onto the commode. This may require two assistants.
6. Press the boom down button to lower the patient onto the standard commode leaving the sling attached to the hanger bar hooks.
7. When complete, recheck the sling for correct attachments.
8. Press the boom up button to raise the patient off the commode.
9. When patient is clear of the commode surface (using the steering handle), move the lift away from the commode.
10. To return the patient to bed, reverse the steps in [Lifting the Patient](#) on page 20.
11. To return or place patient in a wheelchair, refer to [Transferring to a Wheelchair](#) on page 26.

## 6.4 Transferring to a Bathing Unit

There are many portable bathing units; this is an example of one. Refer to your particular portable bath instructions and use them in conjunction with this Owner's Manual.

1. Lift the patient from the bed. Refer to Lifting the Patient on page 20.
2. Press the boom up/down buttons to elevate the patient high enough to clear the bed and portable bath tub.
3. Slide the portable bath tub under the patient.
4. Press the boom down button to lower the patient into the portable bath tub.
5. Detach the sling from the hanger bar hooks.
6. Attach the portable bath tub straps to the patient lift.
7. Press the boom up button to raise the sides of the portable bath tub.
8. Bathe the patient.
9. Reverse this procedure to return the patient to bed.

## 6.5 Transferring to a Wheelchair

1. Lift the patient from the bed. Refer to [Lifting the Patient](#) on page 20.
2. Ensure the legs of the lift with patient in the sling are in the open position. Press the legs open button until in maximum open position.
3. Move the wheelchair into position.
4. Engage the rear wheel locks of the wheelchair to prevent movement of the chair.



### **WARNING**

DO NOT place the patient in the wheelchair if the locks are not engaged. The wheelchair wheel locks MUST be in a locked position before lowering the patient into the wheelchair for transport. Otherwise, injury may result.

5. Use the straps or handles on the side and the back of the sling to guide the patient's hips as far back as possible into the seat for proper positioning.
6. Position the patient over the seat with their back against the back of the chair.
7. Begin to lower the patient either by opening the control valve or by pressing the boom down button.
8. Two assistants are recommended for this step - One assistant stands behind the chair and the other operates the patient lift. The assistant behind the chair pulls back on the grab handle or sides of the sling to seat the patient well into the back of the chair.  
  
This will maintain a good center of balance and prevent the chair from tipping forward.
9. Leave the sling in place unless a divided leg sling was used. Remove a divided leg sling.
10. Reverse [Lifting the Patient](#) on page 20 to return to the seating surface of the wheelchair.

