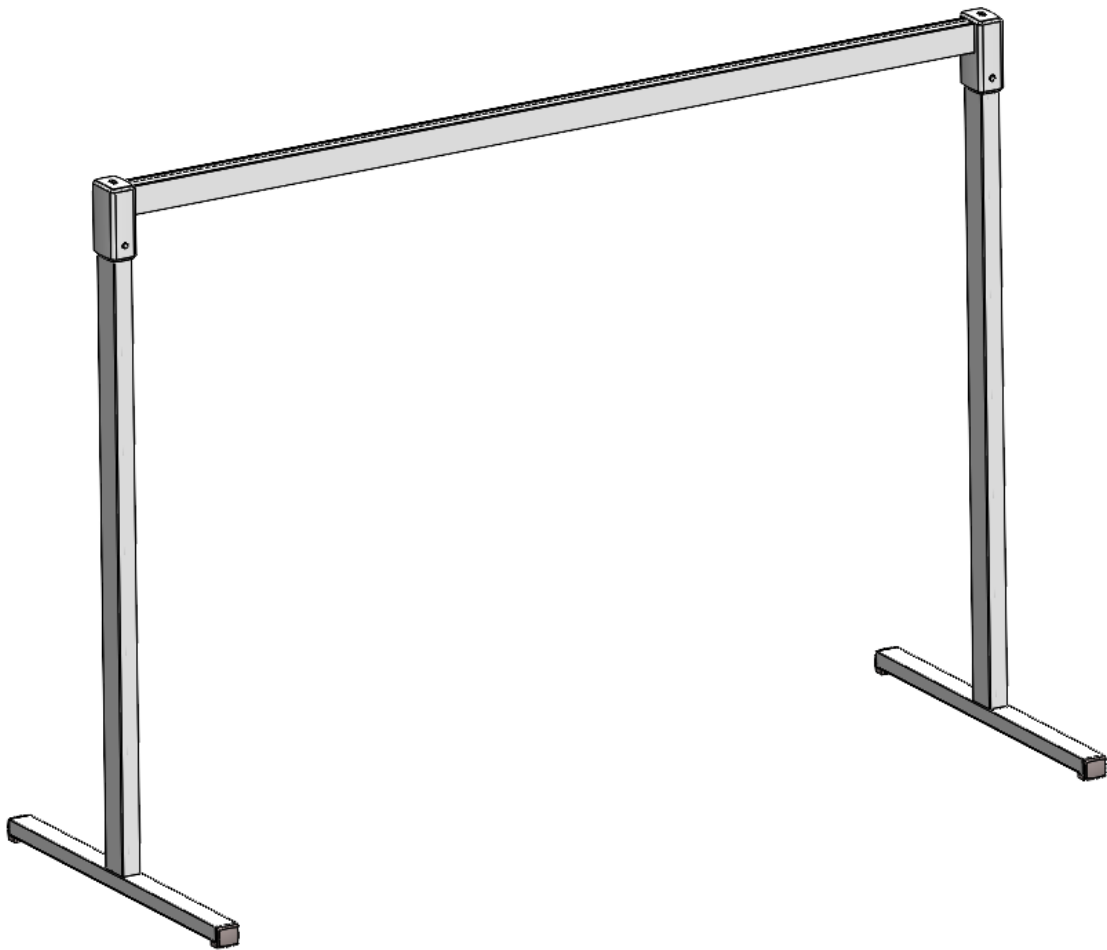




Freestanding Track: Cut Sheet





Freestanding Track Specifications:

The free-standing track is a load bearing portable track set up that can be moved around from room to room as required. The free-standing track is designed to be used with either the GoLift 400 or the GoLift Portable. The stand comes as 5 separate pieces that require three different Allen keys in order to set up.

Maximum capacity: 450lbs

Length: 10' (custom length available upon request)

Set up time: 10 minutes

Compatible with any Amico trolley.

4 Point contact design for auto leveling on uneven flooring

Continuous charging, end stop, or handset charging compatible.

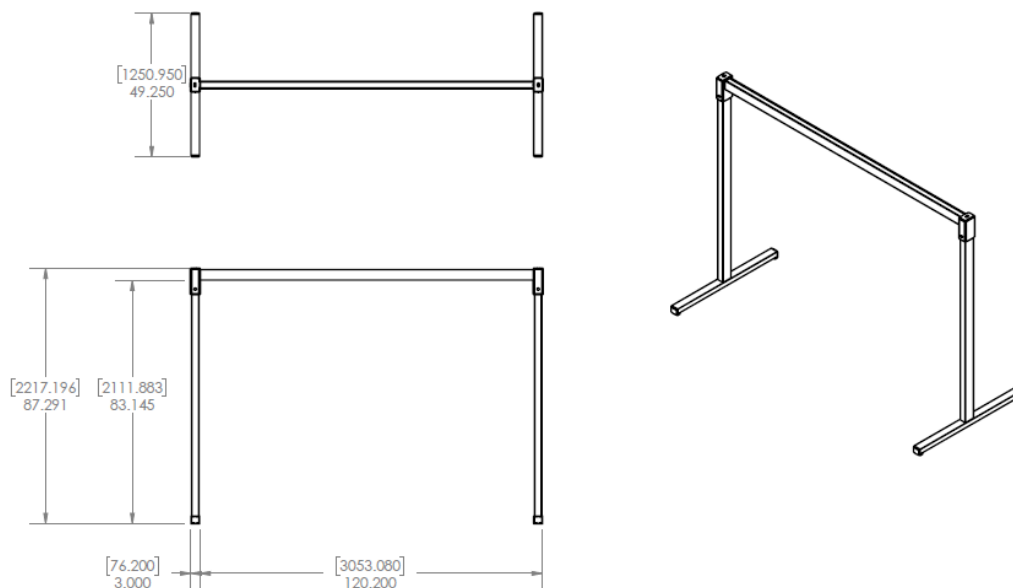
No maintenance/servicing required.

WARNING:

The stand must be used on level ground (do not use at an angle).

The lift must only be operated while the patient is on the inside of the outer frame of the stand on either side.

Dimensions:





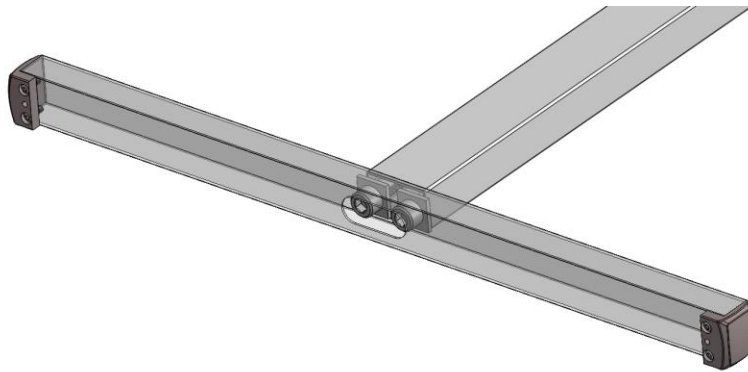
How to Assemble:

Recommended: *2 People*

Tools: *3/4" Allen Key*
5/16" Allen Key
7/32" Allen Key

Step 1:

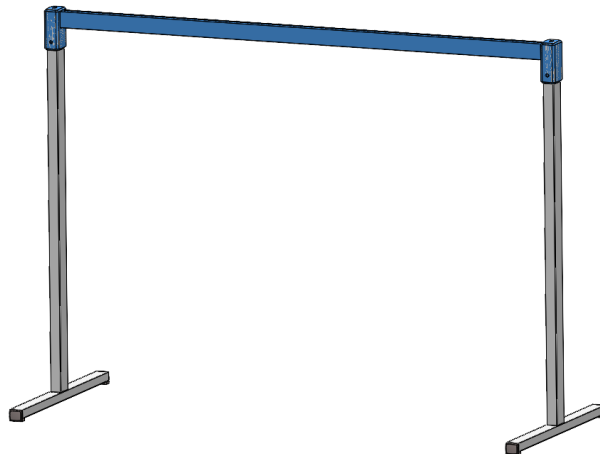
Line up the foot with the threaded holes on post and use the large 1" socket cap screws with square washers to secure the foot to the posts.



Step 2:

Stand the two posts up and drop the track assembly (shown in blue) onto the two posts.

**Note: The tracks must be straight, the fit is tight.*





Step 3:

Align the mounting holes in the post and the track assembly and use the 3/8" socket cap screws on either side to secure the track assembly to the posts. Press the caps over the screws to hide them from view.

