

Materials you might need for proper installation

Materials:

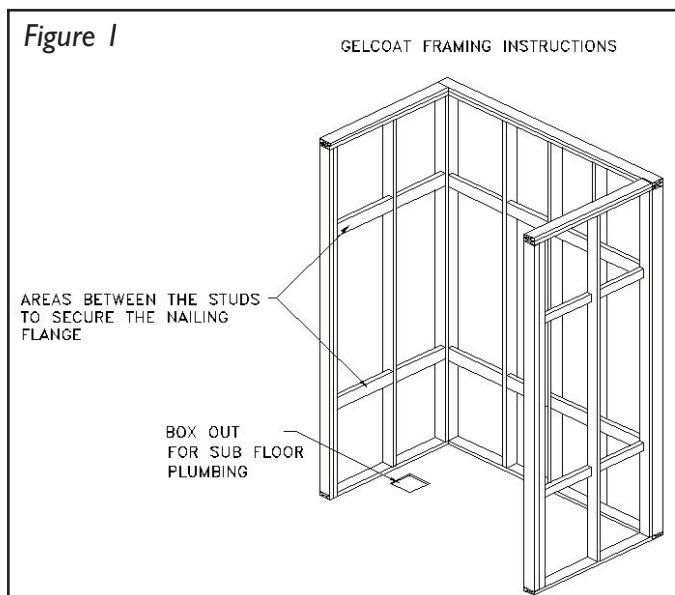
- 6D galvanized screws
- 100% Silicone
- 4 - 1.5" x 1.5" x 3" wooden blocks
- Shims
- Tape

SITE PREPARATION

See *Figure 1*

1. Measure the area intended for installation to ensure that the unit is the correct hand and size for the area. Once this is confirmed remove the nuts and screws used to hold the sections together, as well as other packing material from the bathing unit (there are also metal pins for alignment).
2. Complete framing. Always have a framing member behind each flange. (Horizontal between vertical studs as well.)
3. Ensure framing is plumb and square.
4. A 6" core drilling with a 10" box out 1" deep is required.

If installing a model with EasyBase™, refer to page 5 before installing.

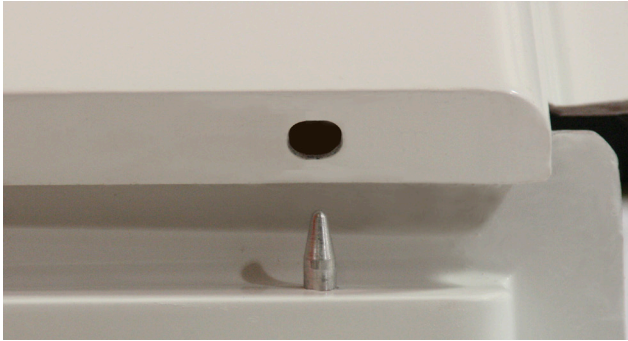


UNIT PREPARATION

5. Locate supply lines and shower head; mark on back (reinforced surface) of unit. After rechecking marks, drill ¼" pilot holes.
6. Place cardboard inside of the unit as a mat while working inside of unit. Working from inside of finished side of unit, using proper hole saw, cut holes for supply lines and shower head.
7. The pens are designed on the base to allow the base to stabilize the wall.

BASE INSTALLATION

8. Place the bottom of the unit into position. Level and plumb the base unit. Shim under the back leg of the unit and secure the shim. Fasten the shower base using 6D galvanized screws to the framing members on 8" centers vertically and on 16" centers horizontally around the top. An adhesive should be applied to the bottom of the shim to permanently secure it in place when shimming on concrete. A minimum of two shims should be used on each unit to insure proper support and a solid base, but not greater than 1/8".
9. Place a continuous bead of silicone (See *Figure 5*) on the base between the inside edge of the base and the holes. For three and four piece units, apply a continuous bead of silicone up the vertical seam between the holes for the fasteners and the front or inside edge of the wall.



WALL INSTALLATION

10. Place the wall/walls on top of the base, beginning with the valve wall.

Place the other wall on the base and slide it towards the other wall. Take care to maintain an alignment of the pins. Press the two walls together closing the seam and compressing the silicone between the two walls for a “water tight” fit.

11. Press the shower wall down firmly onto the base of the shower ensuring that the pins are lined up and there is a tight fit.

12. Insure the shower wall is plumb and square. Fasten the shower wall using 6D galvanized screws to the framing members on 8” centers vertically and on 16” centers horizontally around the top. Proceed with plumbing hook ups. Water test all connections before enclosing behind the unit.

13. Silicone all seams on the front side with a smooth continuous bead. After application, moisten a finger and smooth the bead for an adequate finish.

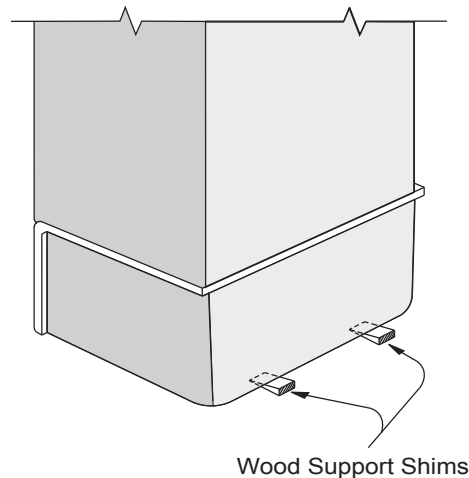
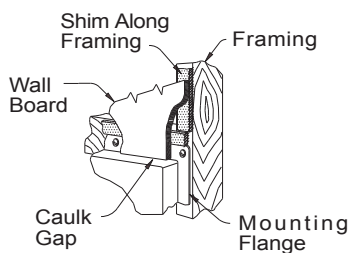
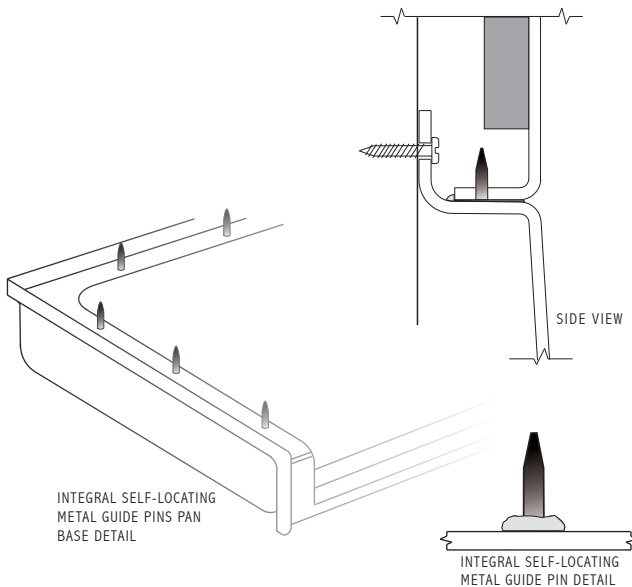
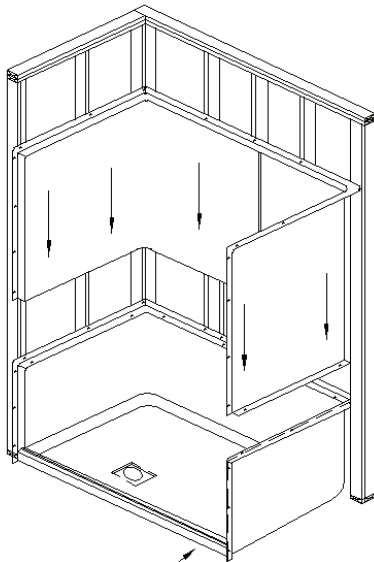


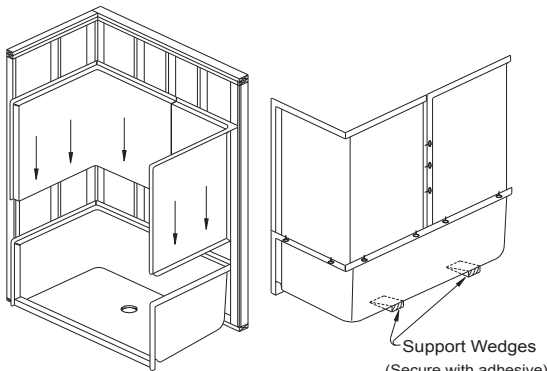
Figure 6

SECTIONAL ALIGNMENT
ISOMETRIC FRONT VIEW
STEP 14



G6037BF THREE PIECE
MODEL ILLUSTRATED

Figure 7



Support Wedges
(Secure with adhesive)

14. For three-piece units, place the bead of silicone up the vertical seam to prevent leakage.

15. ADDITIONAL INFORMATION FOR BARRIER FREE PRODUCT: For barrier free units, refer to the barrier free installation instructions for the proper installation procedure for the floor of the unit. This procedure must be put into practice before the unit is set into place.

INSTALLATION OF GRAB BARS & SHOWER RODS

16. For three and four piece units that have grab bars that secure across a seam, exercise the following practices:

a. Remove the curtain rod.

b. For units with an I-bar that secure twice on one wall and once on the other wall across the seam, place the wall that only has the one installation point on the bottom and secure it. Place the other wall into position. As it is being installed, place silicone around the hole on the inside and backside and put the through bolt into the hole on the first wall. Place the 3" x 3" plate around the bolt and tighten up the nut. Be careful not to over tighten. Reinstall the curtain rod using grommets. Secure the backside of the curtain rod with liquid nails

c. For units with U-wrap bars, take the bar from both walls and install both walls. Place silicone around the holes where the bar installs and also around the holes on the backside of the unit. Put the bar into place. Run the bolts through the holes and secure them from the back using both the 3" x 3" metal plate and the nut provided. Do not over tighten. Reinstall the curtain rod using the grommet provided. Secure the backside of the curtain rod with liquid nail.

Tools & Materials you might need for proper installation

Materials:

- 2 - 1 gallon buckets of solid wood flooring adhesive or 100% silicone adhesive (non-shrink)
- 20 - 1.25" wood screws
- 1 - 5 gallon bucket (to mix thin set in)
- 2 lb. bag of thin set (for the 10x10 box out)
- 1/8" shims (provided with the shower)
- 3 - 8' 2x4s
- 1 - 8" piece of 2x4
- 1 - 24" piece of 2x4
- 2 large soft cloths
- 3 gallons of water (for testing the draft to the drain and mixing thin set)
- Drain (provided with the shower)

Tools:

- Caulking gun
- Hammer
- Drill
- 1/8" drill bit
- Screwdriver
- Screwdriver attachment to match screws
- 4' level
- 2' level

- Torpedo level
- Grout Mixer
- Black marker (to mark the threshold)

Helpful Hints for Installation:

- 2 - 5.5" pieces of PVC - These can be used to lay the product face down and roll it up to the framing pocket rather than sliding or picking it up.
- Please place cardboard from the carton into the bottom of the shower during installation to prevent damage to the finished surface.
- When placing shower into the frame pocket, you can use the handle of the hammer to align the pipe with the drain hole.

For **INSTALLATION USING EPOXY ADHESIVE** refer to last page of instructions.

NOTE: INSTALLATION OF THESE SHOWER UNITS MAY BE SUBJECT TO CODE APPROVAL. Refer to job prints and/or consult with architect to see if your installation must comply with ADA.

These shower units install differently from typical residential showers. Installation may need to conform to requirements of the Americans With Disabilities Act (ADA) and other local codes. These requirements relate to the height of the threshold in relation to the finished floor. Certain showers will install directly on the sub floor and others will require a recess or pit. These showers require special preparation of the installation site, and very specific installation procedures to assure the shower drains properly and meets code requirements.

QUESTIONS? Please phone 800.443.7269 for additional information.

STORAGE & HANDLING

Do not store units out of doors.- Keep out of sunlight and exposure to weather.

1. Most handling damage is the result of impact blows to the back side of the shower units.
2. Stress cracks can develop when shipping boards are removed before unit is positioned for final installation in bathroom.
3. Placing objects inside of tub can cause scratches, abrasions or nicks to the finished surface.
4. Storing units outside right-side up can cause the sunlight to discolor the acrylic finish. Also, unit becomes unstable and is easily knocked over by wind or bumping.
5. The back side of the shower unit is not waterproof. Unit must be stored so that water will drain off of unit and not accumulate in any one spot. Water can permeate the back

laminates and soak the glassed in wood supports causing bulges in the finished surface.

6. Never drag these units on any surface. Always transport the unit by hand using (2) people or a two-wheel dolly.

7. Never let these units drop from any height, not even an inch.

8. Never clean the shower finished surface with metal tools of any kind, including razors.

****Very Important for Showers with Thresholds 2" or Less:**
See Figure 1

Showers stalls with thresholds of 2 inches or less must to be stored and installed with care. During storage this unit should sit as it is received. It should be store with a 2" x 4" block of some other type of material at each of the (4) points numbered above in the top view. These units do not have wooden bottoms to reinforce the floors as conventional showers have. By placing the unit on some type of blocking, the drain will not touch the floor. This will allow the draft of the floor to be maintained without the weight of the shower unit pushing the drain upward. The blocks should only be placed at the outside corner edges of the unit and should never be placed under the middle of the threshold. This procedure should only be used during storage and not during installation.

RECESS INSTALLATION See Figure 2

This diagram illustrates a typical installation for showers that NO RECESS NECESSARY have vertical thresholds 3/4" to 2" high. The recess allows the shower to be installed below the finished floor level. The recess is deep enough so the shower threshold will be at the acceptable height above the finished floor. An alternative to the recessed installation is to either build up the entire room floor to be even with the top of the threshold, or to construct a ramp to the shower entry.

NO RECESS INSTALLATION See Figure 3

This diagram illustrates a typical installation for showers that do not require recessed installation to comply with ADA guidelines. This style shower is illustrated in Figure 2. They are for 36" x 36" inside dimension showers with vertical thresholds no higher than 1/2".

SHOWER INSTALLATION

NOTE: AT THE TIME OF INSTALLATION, INSURE THE FLOORING IS LEVEL. LEVEL FLOORING IN THE AREA INTENDED FOR INSTALLATION IS VERY IMPORTANT. IF THE FLOOR IS NOT LEVEL, THE OUTCOME OF THE INSTALLED UNIT COULD POSSIBLY RESULT IN DIFFICULTY WITH THE INSTALLATION. IN ADDITION, THE ARE A MUST BE CLEAN AND FREE OF DEBRIS AND MOISTURE.

A 10" X 10" X 1/2" DEEP BOX OUT (6" CORE DRILL) IS

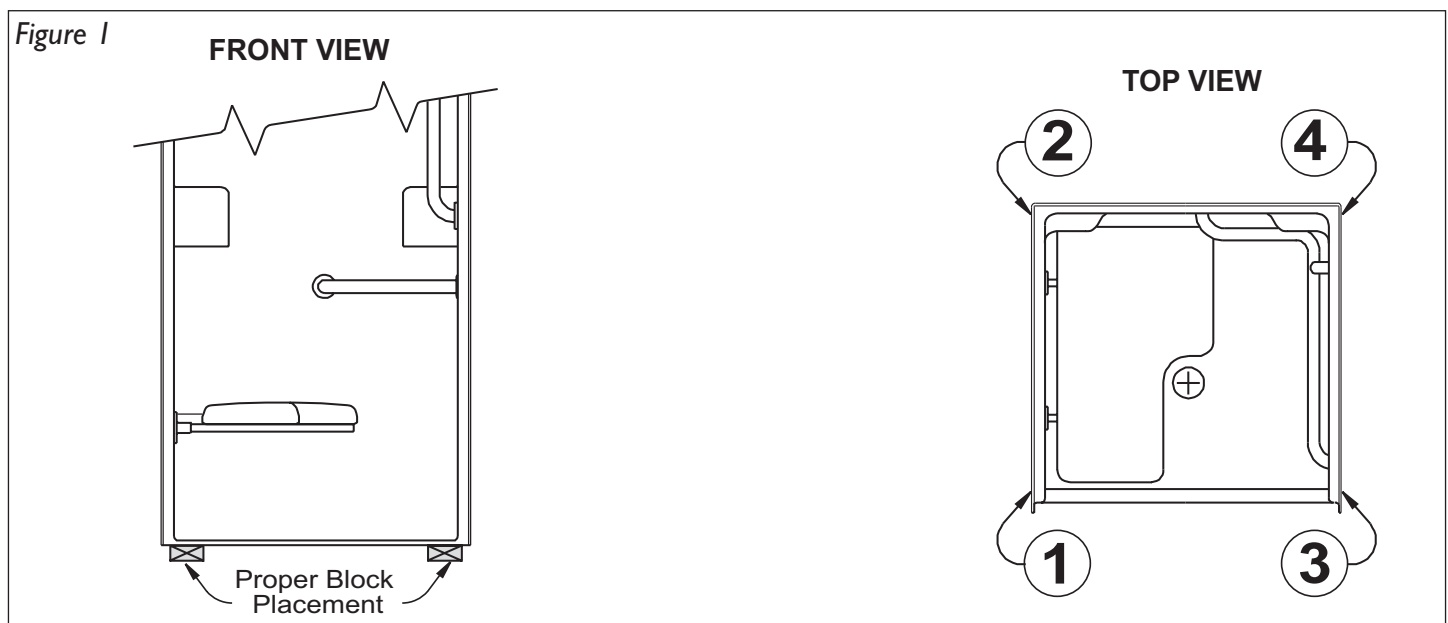


Figure 2

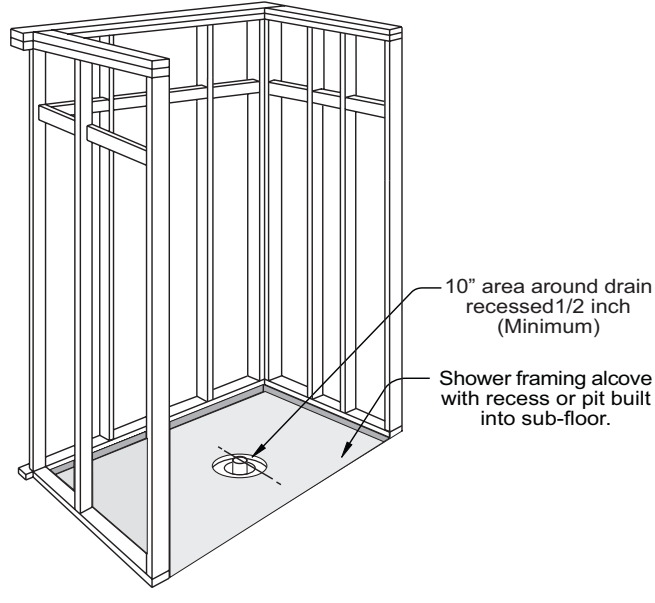
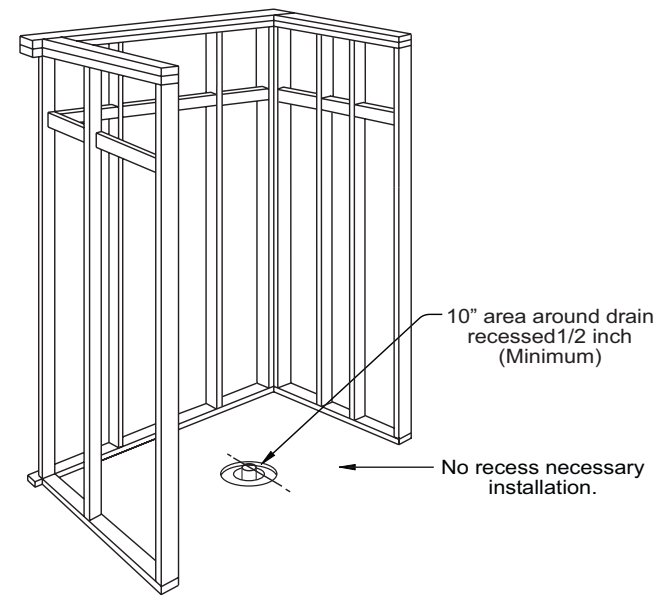


Figure 3



REQUIRED TO BE CENTERED AROUND THE DRAIN PIPE. INSURE THIS AREA IS PREPARED BEFORE INSTALLATION.

See Picture 1

1. Place the shower into the intended alcove to confirm proper placement of the drainpipe and sizing of the alcove.

****HELPFUL TIP: PLACE TWO SECTIONS OF ½" PVC PIPE ON FLOOR TO HELP SLIDE AND TILT UNIT INTO POSITION. (REMOVE PVC PIPE BEFORE PROCEEDING TO STEP 2. DRAW A LINE ON THE FLOOR WHERE THE FRONT OF THE THRESHOLD LIES.**

2. Remove the shower from the alcove by leaning it forward, so that it can be laid on its front flanges.

3. Clean the area of all dirt, trash, oil, grease, water and other contaminants that may affect adhesion. Sub floor and bottom of the shower must be dry when silicone is applied.

For INSTALLATION USING EPOXY ADHESIVE refer to last page of instructions.

4. Apply solid wood adhesive or 100% silicone adhesive 3/8" wide, 3" apart.

5. Next, apply a continuous bead of 100% silicone adhesive or Polyurethane Premium Construction adhesive ½" wide x 3/8" thick x length to where the threshold of the shower will rest once the unit is installed.

6. Secure area around drainpipe with insulation for fire code and to prevent bedding compound from flowing down to the floor below. Fill the 10" x 10" x ½" box out (6" core drill) area with a very wet non-shrink bedding compound, or 100% silicone, 2/3 full. Do not over fill as this will prevent proper floor draft and may put the drain area up causing unit not to drain properly. See Picture 2

7. Install the drain provided in the shower prior to setting it into its final position, but do not store the shower on its bottom while the drain is installed.

****HELPFUL TIP: TEMPORARILY REMOVE DONUT SEAL.**

8. Set the shower into place and guide the drainpipe into the drain by using the handle of a hammer or similar object.

9. Level the shower and set plumb. If the floor is not level, it will require the use of shims to level the shower. See *Picture 5* If shims are required, they should be placed no more than 6 inches apart to provide proper support.

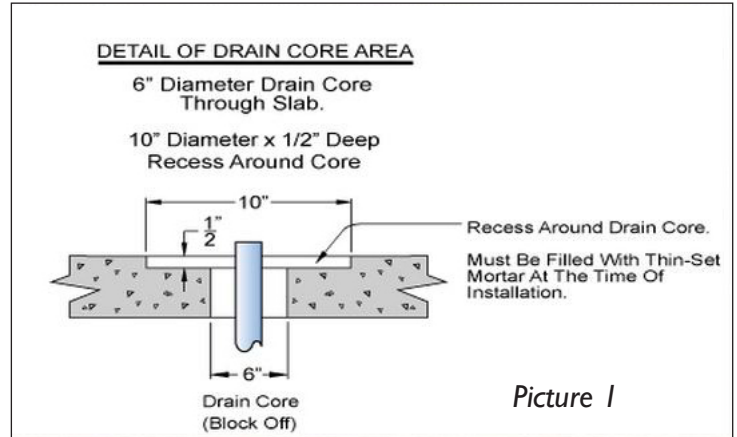
DO NOT SHIM THE UNIT MORE THAN 1/8". If the shower requires more than 1/8" shim adjustment, the shower will need to be pulled out and the floor will need to be leveled. Insure the drain is lined up in the appropriate areas.

10. Secure the shower to the framing members through the flanges using 6D galvanized screws on 8" centers.

11. Cut a 2 x 4 member of 10" to place directly over the drain area. Cut a 2 x 4 member to extend from the ceiling to the 10" wooden block on the drain area. Protect the shower surface by placing a towel under the wooded block.

12. Place the brace from the ceiling to the 10" piece of wood. This should be a tight fit.

13. Repeat steps 12 through 13, for the threshold, pressing it down to make complete contact.



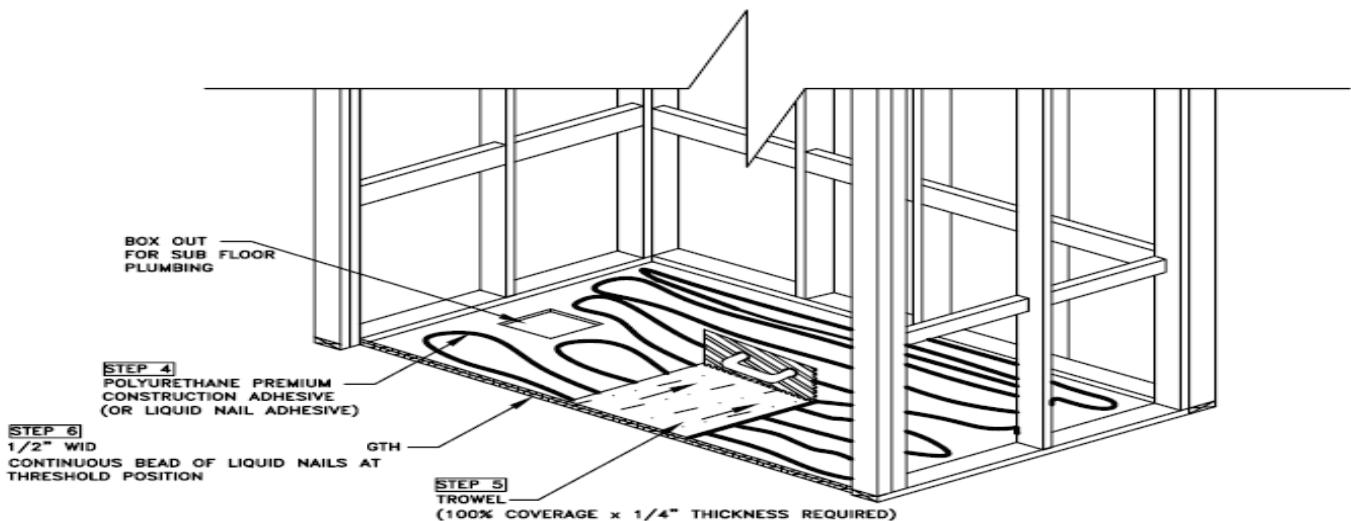
Picture 1

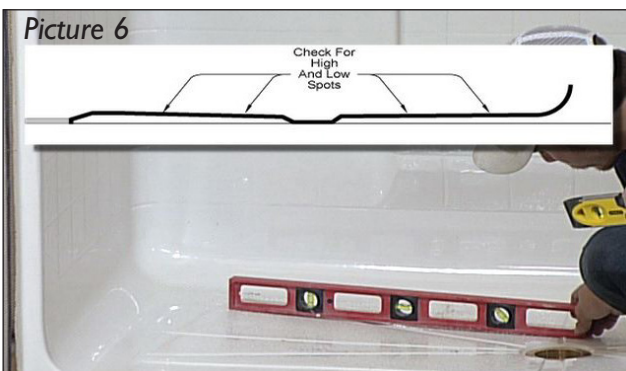


Picture 2

Figure 4

ADHESIVE APPLICATION DETAIL ISOMETRIC SECTION VIEW





14. A torpedo level should be placed from floor to ensure the unit has proper slope and drainage. If unit does not drain properly, the unit must be pulled back up to determine where the problem lies. This should be done immediately after step 14 before the materials have had a chance to set.

15. Unit should be walked in and found to be stable and without flex.

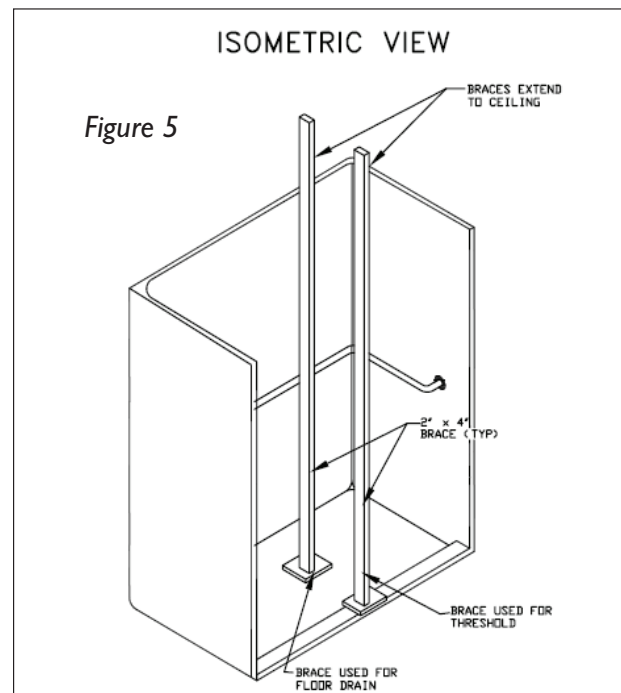
16. All bracing can be removed after 72 hours after 100% silicone has been applied.

****THE DRAIN CONNECTION SHOULD BE TIGHTENED AFTER THE FLOOR HAS BEEN BRACED, CURED, AND THE BRACE REMOVED i.e. 72 HOURS AFTER INSTALL.**

****CHECK THE FLOOR TO INSURE THERE ARE NO HIGH SPOTS AND THE DRAFT HAS BEEN MAINTAINED.**
See Picture 6

****ATTENTION: THE THRESHOLD MUST BE FLAT ACROSS THE FULL WIDTH WITH NO BOW AND LEVEL TO THE FLOOR.**

Following the appropriate installation procedures is imperative on this product. Not following these procedures could result in product failure which will not be covered under manufacturer's warranty.



SPECIAL CARE UNITS WITH EASYBASE™

Note: At the time of installation, ensure the flooring is level. Level flooring in the area intended for installation is very important. If the floor is not level, the outcome of the installed unit could possibly result in difficulty with the installation. In addition, the area must be clean and free of debris and moisture. A 10" x 10" x 1/2" deep box out (10" core drill) is required to be centered around the drain pipe. Ensure this area is prepared before installation.

1. Place the shower into the intended alcove to confirm proper placement of the drainpipe and sizing of the alcove.

****HELPFUL TIP:** Place two sections of 1/2" PVC pipe on floor to help slide and tilt unit into position. (REMOVE PVC PIPE BEFORE PROCEEDING TO STEP 2) Draw a line on the floor where the front of the threshold lies.

2. Remove the shower from the alcove by leaning it forward, so that it can be laid on its front flanges.

3. Clean the area of all dirt, trash, oil, grease, water and other contaminants that may affect adhesion.

For INSTALLATION USING
EPOXY ADHESIVE refer to last
page of instructions.

4. Apply Polyurethane Premium Construction adhesive or 100% silicone to the floor and in a "zigzag" pattern with the spaces between the sides (lines), around 3/8" wide.

5. Using a 1/4" trowel, wipe "across" the lines created in step 4. 100% coverage/contact of adhesive to EasyBase™ is required. (See Figure 8)

6. Next, apply a continuous bead of 100% silicone adhesive or Polyurethane Premium Construction adhesive 1/2" wide x 3/8" thick x length to where the threshold of the shower will rest once the unit is installed.

7. Secure area around drainpipe with insulation for fire code and to prevent bedding compound from flowing down to the floor below. Fill the 10" x 10" x 1/2" box out (10" cure drill) area with a very wet non-shrink bedding compound 2/3 full. Do not over fill as this will prevent proper floor draft and may put the drain area up causing unit not to drain properly.

Figure 8

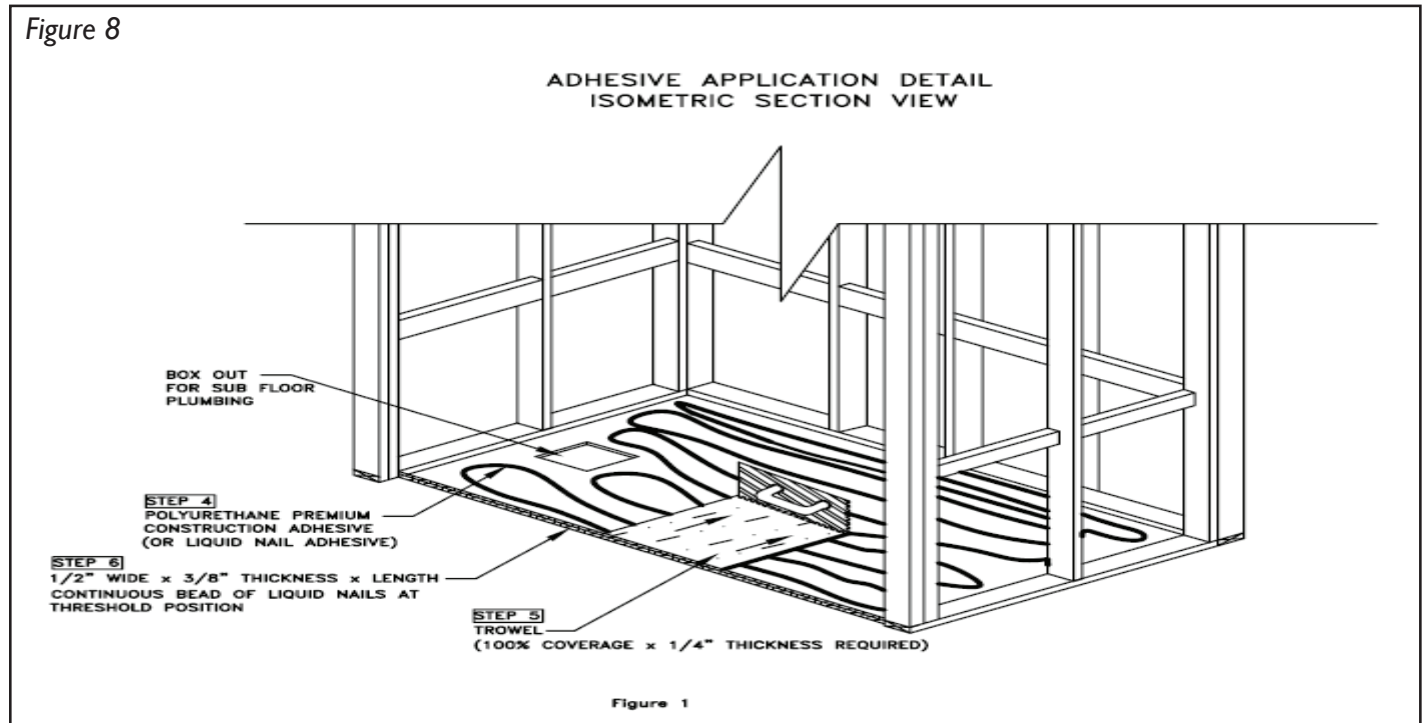


Figure 1

8. Install the drain provided in the shower prior to setting it into its final position, but do not store the shower on its bottom while the drain is installed.

****HELPFUL TIP: TEMPORARILY REMOVE DONUT SEAL.**

9. Set the shower into place and guide the drainpipe into the drain by using the handle of a hammer or similar object.

10. Level the shower and set plumb. If the floor is not level, it will require the use of shims to level the shower. If shims are required, they should be placed no more than 6 inches apart to provide proper support. **DO NOT SHIM THE UNIT MORE THAN 1/8"**. If the shower requires more than 1/8" shim adjustment, the shower will need to be pulled out and the floor will need to be leveled. Insure the drain is lined up in the appropriate areas.

11. Secure the shower to the framing members through the flanges using 6D galvanized screws on 8" centers.

12. Cut a 2 x 4 member of 10" to place directly over the drain area. Cut a 2 x 4 member to extend from the ceiling to the 10" wooden block on the drain area. Protect the shower surface by placing a towel under the wooded block.

13. Place the brace from the ceiling to the 10" piece of wood. This should be a tight fit. (See Figure 9)

14. Repeat steps 12 through 13, for the threshold, pressing it down to make complete contact with a continuous bead of Liquid Nails Construction adhesive.

15. A torpedo level should be placed from floor to ceiling to ensure the unit has proper slope and drainage. If unit does not drain properly, the unit must be pulled back up to determine where the problem lies. This should be done immediately after step 14 before the materials have had a chance to set.

16. Unit should be walked in and found to be stable and without flex.

17. All bracing can be removed after 72 hours after Liquid Nails Construction adhesive has been applied.

****THE DRAIN CONNECTION SHOULD BE TIGHTENED AFTER THE FLOOR HAS BEEN BRACED, CURED, AND THE BRACED REMOVED i.e. 72 HOURS AFTER INSTALL.**

****CHECK THE FLOOR TO ENSURE THERE ARE NO HIGH SPOTS AND THE DRAFT HAS BEEN MAINTAINED.**

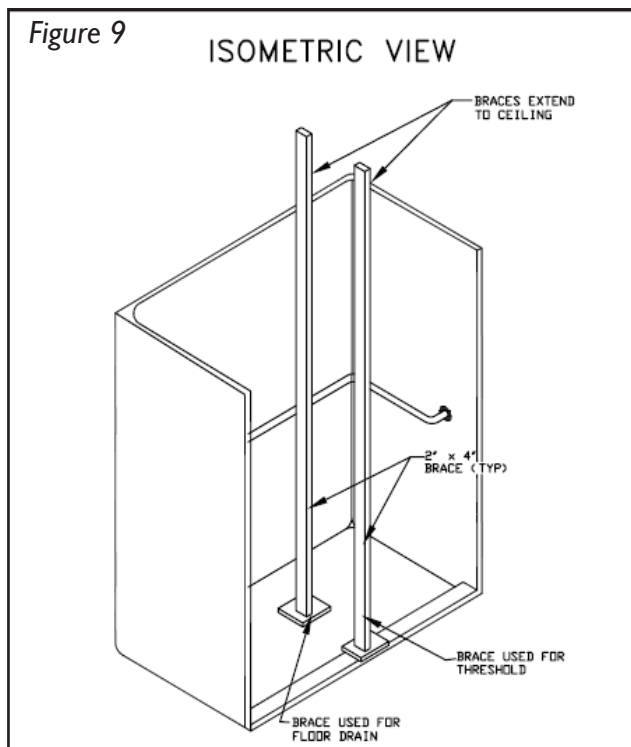
****ATTENTION: THE THRESHOLD MUST BE FLAT ACROSS THE FULL WIDTH WITH NO BOW AND LEVEL TO THE FLOOR.**

Following the appropriate installation procedures is imperative on this product. Not following these procedures could result in product failure which will not be covered under manufacturer's warranty.

NOTICE

The Collapsible Rubber Water Retainer is intended to prevent water from escaping from the front of the unit on low threshold barrier free shower units.

The Collapsible Rubber Water Retainer is to be installed on the surface by applying 3M High Strength 90 spray Adhesive. In order to maintain a good bond, the surface of the unit



must be sanded with 220 grit wet sandpaper to create a mechanical bond.

Each unit has a radius area in each corner to provide the unit additional strength. Instructions follow to describe how to fit the Collapsible Water Retainer in to the radius areas.

After the Collapsible Water Retainer is in place, the edges are secured and water proofed with silicone caulk.

In order to allow air to escape and enter the Collapsible Rubber Water Retainer during compression, two cuts should be made on the front of the Collapsible Rubber Water Retainer:

PRECAUTIONARY NOTES

1. Hand held shower slide bars must have clearance of ½" or greater. Accessibility Professionals will not be responsible for improper function of slide bars with less than a ½" clearance.
2. Factory installed valves -- All plumbing has been water tested at the plant. Any leakage that occurs after installation will not be considered warranty and will be the responsibility of the installer. Do not rough in on the valve wall until the unit has been received and is in place.
3. Customer supplied product will not be covered under Accessibility Professionals warranty.

CARE & CLEANING OF APPLIED ACRYLIC UNITS

Do not use abrasive cleaners which may scratch and dull the surface of the unit. To clean the unit after installation, use warm water and one of the stronger liquid detergents, such as: Top Job, Liquid Ajax or Mr. Clean. Use these liquid detergents for normal day-today cleaning also.

Plaster can be removed with a nylon or polypropylene scrubber. Do not use steel wool, metal scraper, wire brushes or other metal tools. One of the powder type detergents, such as Spic & Span, may be used on a damp cloth to provide mild abrasive action to remove residue plaster. Minor stains can be removed with a household strength ammonia or bleach.

A periodic scrub down with a gel gloss or a dish washing detergent (wear rubber gloves) will usually remove any soap or mineral deposits. Periodic waxing with an automotive polish followed by a light application of liquid wax, such as Johnsons' Jubilee will add luster and preserve the finish.

Lighted smoking materials will leave burn marks on fiberglass products. This or other similar damages can often be repaired by rubbing the affected area with an automotive type body polishing compound, such as Dupont No. 7, followed by an automotive body wax, such as Simoniz. More severe burns require careful sanding with 400-600 grit wet carborundum sandpaper and a final rub out with the automotive polishing compound and wax.

Extensive damage can be completely repaired. Such repair work should be performed by a professional service repairman in your area. If local service is not available, or if you need further assistance contact Freedom. Repair kits with applied acrylic included may be purchased through customer service by calling 1-877-947-7769.

If the unit received has a painted applied textured floor please use the box which contained the unit as a mat in the unit while doing any plumbing in the unit. This will protect the painted surface and reduce clean up to a minimum. If dirt does get on the painted surface use any liquid cleaner (Ajax, Pine Sol, etc.) to clean it safely without jeopardizing the textured surface.

WARRANTY

Accessibility Professionals warrants to the owner of its TUB, TUB/SHOWER or SHOWER STALL as follows:

Units manufactured of applied acrylic, that it will, free of charge, repair or exchange at its option, any Accessibility Professionals unit found to be defective in material or workmanship upon inspection by an authorized representative of Accessibility Professionals for a period of thirty (30) years from the date of purchase of the unit by a qualified professional. The exchange of a unit is limited to supplying a replacement unit of comparable size and style and does not include any cost of removal or installation.



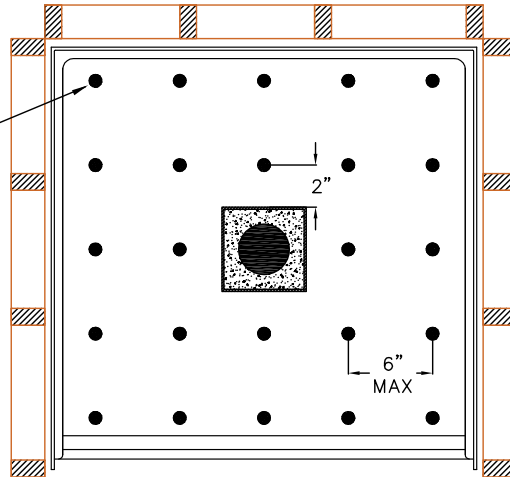
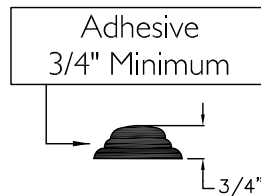
Sectional with EasyBase™ Installation Instructions

This warranty shall be voided if the unit is moved from its place of initial installation or is not installed in accordance with the instructions supplied by the manufacturer of the unit. Further, this warranty does not apply if the unit has been subjected to accident, abuse, misuse, damage caused by flood, fire, or act of God.

The owner agrees by use of the unit that the obligations of Accessibility Professionals shall not exceed to contingent or indirect damage or injury to the structure of its contents, that the obligations of Accessibility Professionals are limited to those set forth herein, and that no other obligations, expressed or implied, are assumed by Accessibility Professionals.

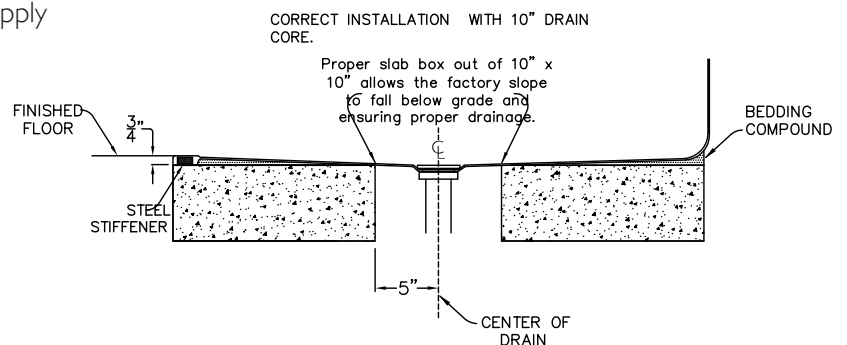
Contact:
Accessibility Professionals
1-877-947-7769
info@accessibilitypro.com

Adhesive: 3/4" mounds every 6" min, starting approximately 2" from drain depression



1. Ensure the stud pocket is the correct dimension, including the location of the drain hole and recessed cut out.
2. Ensure the floor is level and free of any debris, including dust and dirt (will impair adhesion).
3. Install the drain fitting and prepare the drain pipe.
4. Place the pan/shower into the pocket and check for proper level and alignment. Adjust accordingly.
5. Dry fit all walls as stated in the standard installation instruction (for sectional models only).
6. Mark the location and prepare the pan/shower as stated in the standard installation instructions.
7. Tilt pan out of the way or remove the shower and apply adhesive in the following manner:
 - a. Apply adhesive in small mounds $\frac{3}{4}$ " in height.
 - b. Mounds must be NO MORE than 6" apart and applied in a grid-like manner:
 - c. Place adhesive over entire pocket surface, beginning at the back and working toward the front.
 - d. Ensure material is applied near the drain cutout/ box out.
8. Place pan/shower back into position and ensure it is level.
9. Apply a small amount of adhesive between two pieces of scrap material. This will be checked later to verify set time.
10. Secure the unit as stated in the standard installation instructions.
11. Allow 2 hours minimum for the adhesive to set. Verify by checking the scrap pieces from step 9.
12. Continue the installation as stated in the standard installation instructions.

7. Tilt pan out of the way or remove the shower and apply adhesive in the following manner:
 - a. Apply adhesive in small mounds $\frac{3}{4}$ " in height.
 - b. Mounds must be NO MORE than 6" apart and applied in a grid-like manner:
 - c. Place adhesive over entire pocket surface, beginning at the back and working toward the front.
 - d. Ensure material is applied near the drain cutout/ box out.



3/4" Threshold Detail on Concrete slab floor

