

# FGSH-450 by Prism Medical



|  |    |
|--|----|
| Introduction .....                             | 2  |
| Overview .....                                 | 2  |
| Components of the Floor Lift .....             | 3  |
| Specifications .....                           | 4  |
| Cautions .....                                 | 5  |
| Shipping & Transportation Instruction .....    | 6  |
| Assembly Instruction .....                     | 7  |
| Operation                                      |    |
| Leg Spreading .....                            | 12 |
| Raising and Lowering Boom .....                | 14 |
| Forward movement .....                         | 15 |
| Turning .....                                  | 15 |
| Casters and Braking .....                      | 17 |
| Basics in transferring an individual .....     | 17 |
| General care, inspection and maintenance ..... | 20 |
| Points of Attachment - Checklist .....         | 24 |
| Service record history .....                   | 25 |
| Warranty .....                                 | 29 |

## Owner's Manual

*Use and Care*  
*Trouble Shooting*  
*Warranty Information*

**PRISM MEDICAL**





**CAUTION: DO NOT ATTEMPT TO USE THIS EQUIPMENT WITHOUT FIRST UNDERSTANDING THE CONTENTS OF THIS MANUAL.**

## Introduction

Before using this equipment, and to ensure the safe operation of your **FGSH-450 Hydraulic Steel Floor Lift**, carefully read this entire manual, especially the section on “**Cautions**”. The **FGSH-450** is designed to be used in conjunction with Prism Medical accessories and slings. Please refer to any user guides supplied with these components and refer to them while reviewing this manual.

Should any questions arise from reviewing this manual contact your local authorized Prism Medical Representative. Failure to comply with warnings in this manual may result in injury to either the operator, or the individual being lifted/transferred. Damage to the floor lift and/or related components may also occur. Be sure that the contents of this manual are completely understood prior to using this floor lift.

Store this manual with the documents included with the floor lift and sling (s). Contents of this manual are subject to change without prior written notice.

## Overview of FGSH-450 Hydraulic Steel Floor Lift

The **FGSH-450 Hydraulic Steel Floor Lift** is a lifting aid used by health care professionals to transfer clients. The floor lift makes it possible to transfer mobility impaired individuals with minimal strain or risk to the caregiver, while providing complete safety, dignity and comfort for the client.

The **FGSH-450 Hydraulic Steel Floor Lift** is one of two components that make up this technology. The other component, the sling, is a specially designed fabric accessory that attaches to the floor lift by means of a carry bar and straps, and holds an individual while the lift, or transfer takes place. The sling is generally supplied with the floor lift at the initial time of purchase. Please refer to any user guides supplied with the sling and reference them while reviewing this manual.

The **FGSH-450 Hydraulic Steel Floor Lift** has the ability to lift an individual up from one resting surface such as bed, then transfer the individual to another resting surface such as chair. The functions of lifting up or down is accomplished by moving the pump handle up and down. The function of opening and closing the legs on the lift is accomplished by turning the shifter handle.

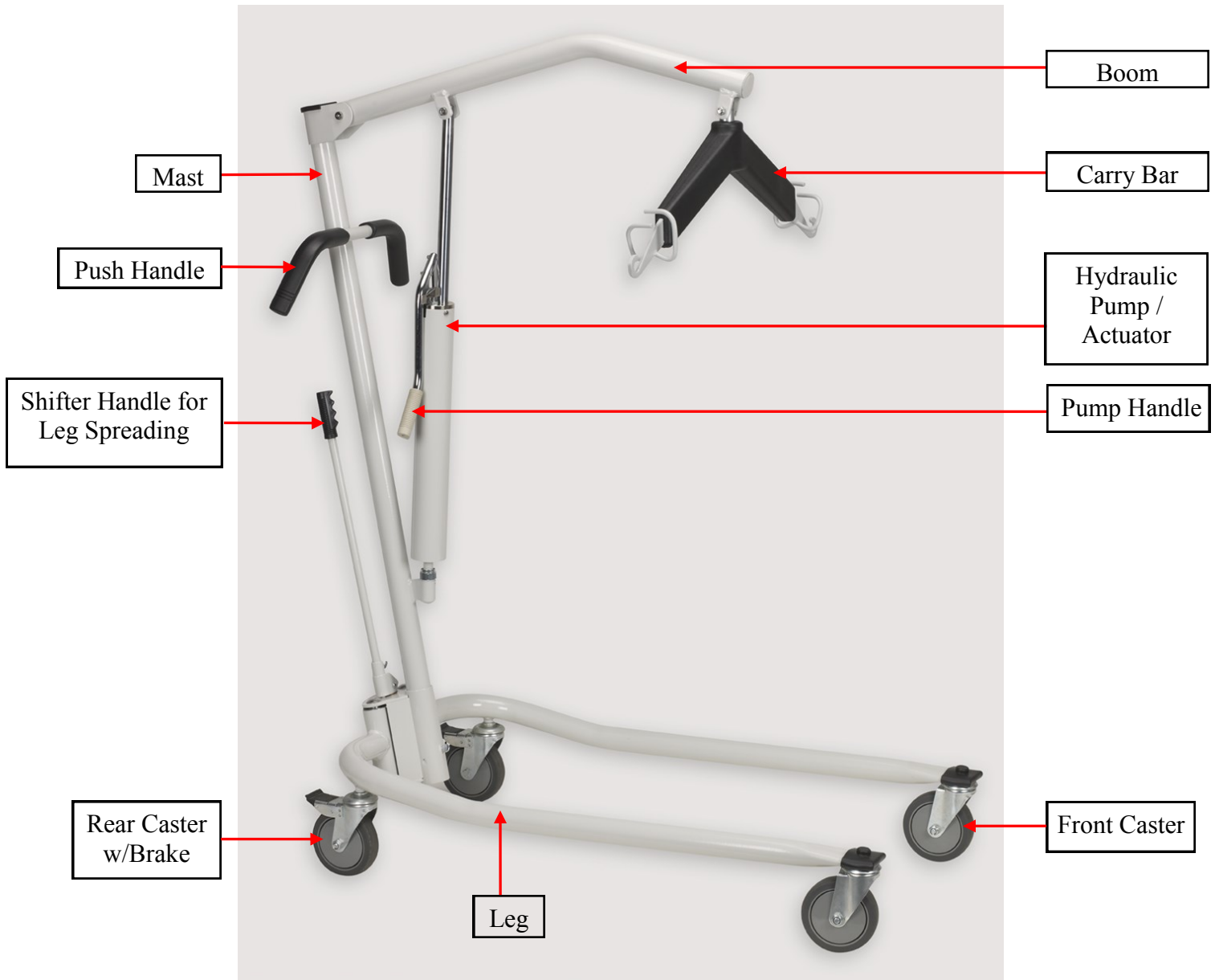


**MOVING A PERSON SUSPENDED IN A SLING OVER ANY DISTANCE IS NOT RECOMMENDED.**

Please familiarize yourself with the components of the **FGSH-450 Hydraulic Steel Floor Lift** by referring to the diagram on the next page.

| Model Table for <b>FGSH-450 Hydraulic Steel Floor Lift</b> |  |
|--|--|
| Product Code   | Product Description                            |
| 280490   | FGSH-450 - Hydraulic Steel Floor Lift 450 lbs. |

# Components of the FGSH-450 Hydraulic Steel



## **Component List:**

The following components are included with your new **FGSH-450 Hydraulic Steel Floor Lift** system:

- FGSH-450 Hydraulic Steel Floor Lift
- Owner's Manual

**SLINGS:** If a sling has been supplied with floor lift, then refer to the instructions included with the sling.

# Technical Specifications: FGS-450

## (A) Dimensions and Weight - FGS-450 lift

| Specification   | FGS-450                    |
|---|----------------------------|
| Maximum weight capacity   | 450 lbs. (205 kg.)         |
| Maximum lifting height  | 61 inches (155 cm)         |
| Minimum lifting height  | 17 inches (43.2 cm)        |
| Height to top of legs   | 6.5 inches (16.5 cm)       |
| Clearance from bottom of legs to floor                                  | 5.25 inches (13.3 cm)      |
| Overall length  | 46.75 inches (118.75 cm)   |
| Distance inside the legs (min.)   | 16.75 inches (42.5 cm)     |
| Distance inside the legs (max.)   | 36.5 inches (92.7 cm)      |
| Distance outside the legs (min.)  | 22 inches (55.9 cm)        |
| Distance outside the legs (max.)  | 42.25 inches (107.3 cm)    |
| Reach at maximum height   | 17.3 inches (44 cm)        |
| Reach at minimum height   | 7.9 inches (20 cm)         |
| Maximum Reach-Distance between center of carry bar to front of the mast | 23.7 inches (60 cm)        |
| Turning radius  | 36.6 inches (93 cm)        |
| Wheels  | Front – 5” (127 mm)        |
|   | Rear – 5” (127 mm) w/brake |
| Weight of lift  | 68.2 lbs (31 kgs)          |
| Total Shipping Weight with Box  | 85 lbs ( 38.6 kgs)         |

### Shipping/Storage Conditions:

Temperature: -40 to +70 °C  
 Relative Humidity: 10 to 100% RH  
 Atmospheric Pressure: 500 to 1060 hPa

### Normal Operating Conditions:

Temperature: +10 to +70 °C  
 Relative Humidity: 30 to 75% RH  
 Atmospheric Pressure: 700 to 1060 hPa



## CAUTIONS:

- Check all parts for shipping damage before using the **FGSH-450 Hydraulic Steel Floor Lift**. In case of damage, DO NOT use the lift. Contact your dealer for further instructions.
- **FGSH-450 Hydraulic Steel Floor Lift is NOT a transport device.** The **FGSH-450 Hydraulic Steel Floor Lift** and associated sling (s) are intended **only** for lifting and transferring of a person from one resting surface to another (such as from bed to wheel chair). **Moving a person suspended in a sling over any distance is NOT RECOMMENDED.** Prism Medical will not be responsible for any damage caused by the misuse, neglect or purposeful destruction of the lift, and/or its associated components.
- Under no circumstance should the **FGSH-450 Hydraulic Steel Floor Lift** and sling (s) be put in control of a person who has not been properly trained in the use and care of this equipment. Failure to adhere to this warning may result in serious injury to the operator, and/or the individual being lifted/transferred.
- The **FGSH-450 Hydraulic Steel Floor Lift** and sling (s) are not toys. Do not use it for unsafe practices. Do not allow children to play with the Hydraulic Steel Floor lift or any of its components.
- The manufacturer's warranty is voided if persons unauthorized by Prism Medical Ltd. will perform work on the **FGSH-450 Hydraulic Steel Floor Lift**.
- There are no user serviceable parts inside the Hydraulic Pump. Do not remove cover screws, or open the Hydraulic Pump, as this will **VOID THE WARRANTY**.
- In facilities where more than one operator will be responsible for using the **FGSH-450 Hydraulic Steel Floor Lift** and sling (s), it is imperative that all such members are to be trained in its proper use. A training program should be established by the facility to acquaint new operators with this equipment.
- During transfer with patient suspended in a sling attached to the lift, **DO NOT** roll caster base over objects such as carpets, raised carpet bindings, door frame, or any uneven surfaces or obstacles that would create an unbalance of the patient lift and could cause the patient lift to tip over. Use of push handles on the mast at **ALL** times to push or pull the patient lift.
- Never expose the **FGSH-450 Hydraulic Steel Floor Lift** directly to water. Warranty does not cover any misuse or abuse of the floor lift system.
- To maintain optimum function, the **FGSH-450 Hydraulic Steel Floor Lift** should be inspected and maintained on a regular basis. See the section titled “**General care, Inspection and Maintenance**”.
- Any accessories used with the **FGSH-450 Hydraulic Steel Floor Lift** including sling (s), should be checked to ensure that they are in good working order. Check for signs of wear or fraying prior to use. Report any unusual wear, or damage immediately to your local authorized Prism Medical Service Provider.
- In any circumstances do not exceed the maximum allowable load of this lift. Refer to the “**Specifications**” section of this manual, and/or the labels on the side of the lift.
- Ensure that a clear space is maintained around the lift. Move any obstacles out of the way before operating the floor lift.

# Shipping and Transportation Instructions:

If the Patient Lift is to be reshipped by common carrier, it should be packed in the same carton as shown in Figure below.

## Unpacking:

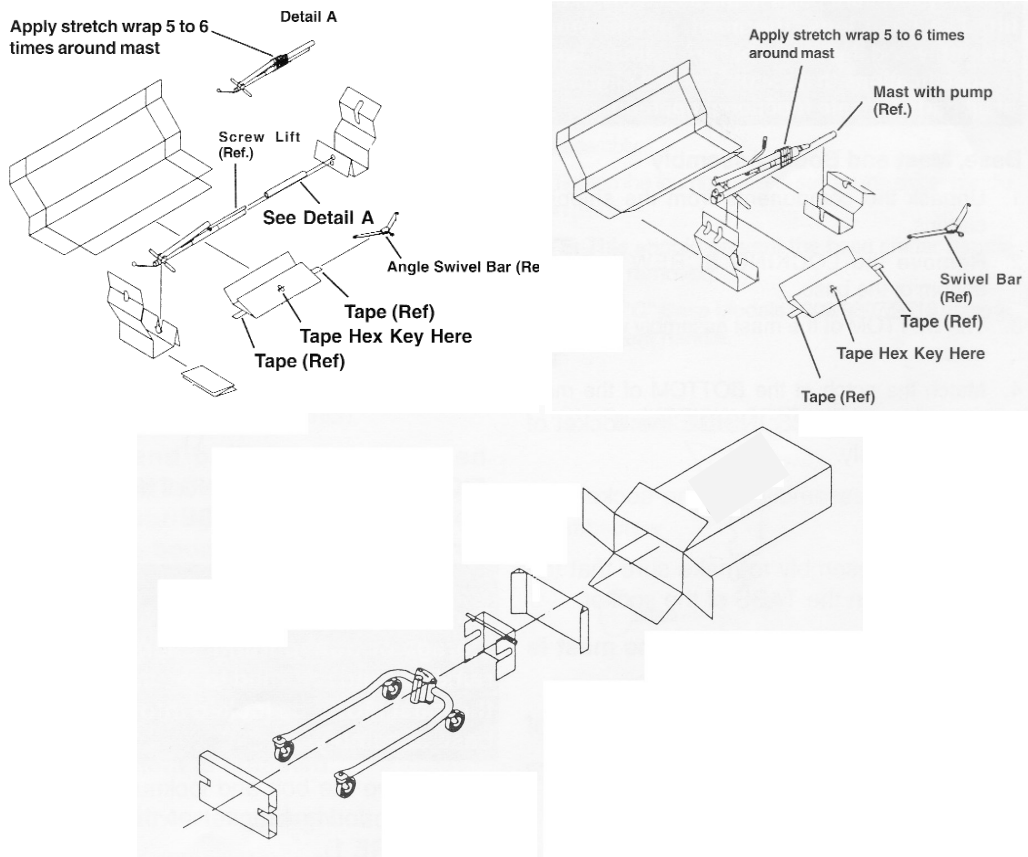
1. Check for any obvious damage to the carton or its contents. If damage is evident, notify Carrier/Prism Medical Dealer.
2. Place the Carton/Packaging box in a clear working area, open carefully, and remove loose packing material, and following items and place on the floor, taking care to protect the finish from damage.
  - FGS-450 Base Assembly
  - FGS-450 Mast and Boom Assembly with carry bar
  - User Manual

**NOTE: Unless the patient Lift is to be used immediately, retain boxes, containers, and packing material for use in storing the lift until use of the Patient Lift is required.**

**Inspection:** Examine exterior of the patient lift for nicks, dents, scratches or damages. Inspect all components

## Storage:

1. Store the repackaged Patient Lift in a dry area.
2. DO NOT place any other objects on top of the repackaged Patient Lift.



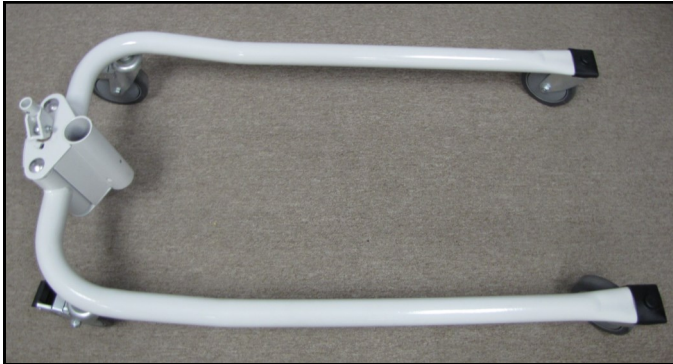
# Assembly Instructions:



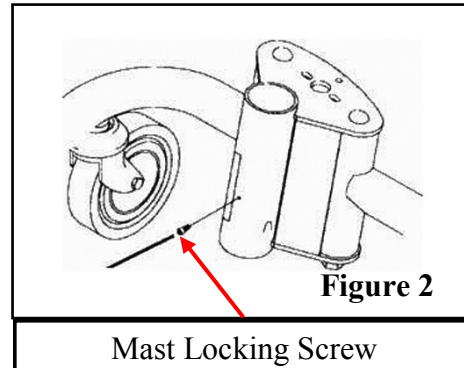
**Caution:** Lift parts are heavy, and will need to be lifted with care. Heavier items may need two people for assembly.

## BASE, MAST, and BOOM ASSEMBLY:

1. Lift the FGSH-450 Base assembly carefully from the carton and place on the floor as shown in Figure 1. Lock the rear casters. Remove the mast locking screw from the base assembly as shown in Figure 2.



**Figure 1**

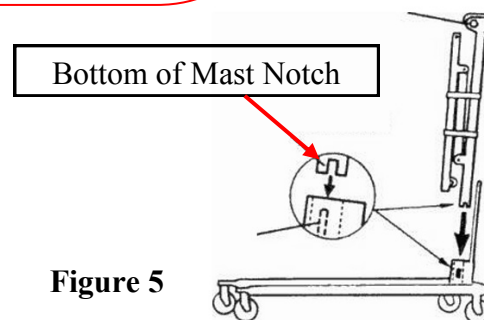
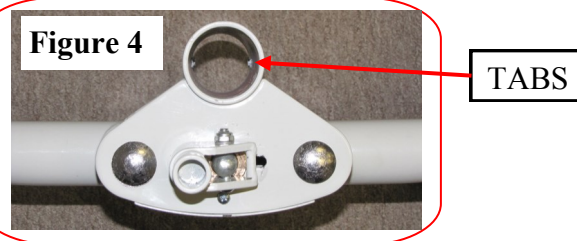


**Figure 2**  
Mast Locking Screw

2. The Bottom of mast assembly have a notch (Figure 3), and match these notch at the bottom of mast assembly with the tabs inside the tube of base assembly (Figure 4) as shown in Figure 5.
3. Insert the mast assembly into the tube of base assembly and onto the TABS.



**Figure 3**



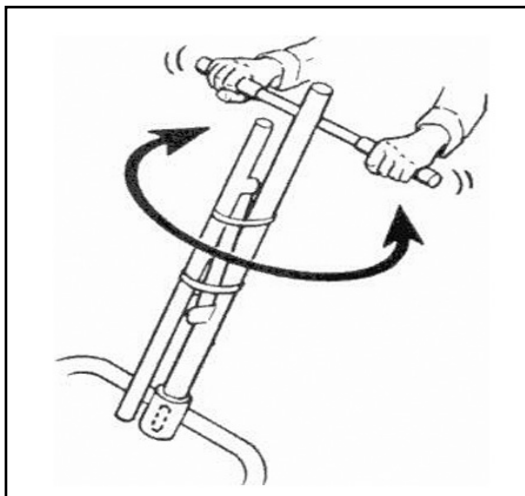
**Figure 5**



**Caution:** Possible finger trap. Keep fingers away from the end of the mast when inserting into the base tube. Heavier items may need two people for assembly.

## Assembly Instructions... continued

- Turn the mast assembly to make sure that the notch is locked on the TABS of the tube of base assembly as shown in Figure 6.



**NOTE: If the mast does not turn, then the mast is centered and locked in place.**

Figure 6

- Insert the mast locking Screw into the bottom hole of the base assembly, and securely tighten as shown in Figure 7 and 8.



Figure 7

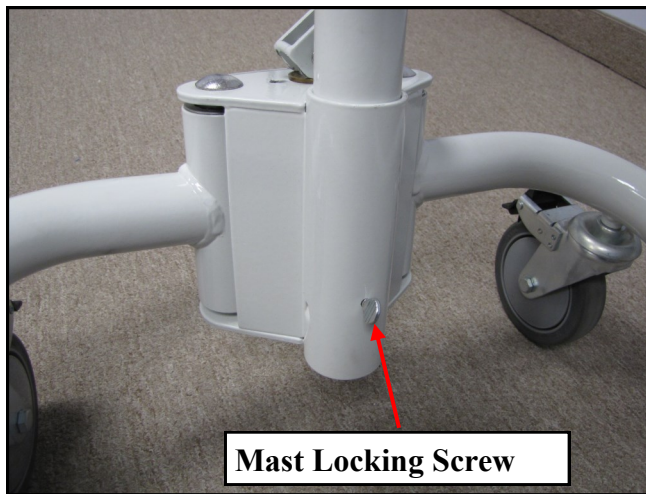


Figure 8



**Warning:** The mast may be removed from the base assembly for storage or transportation. Each time the mast is removed and returned to the socket of the base, and the mast must be locked into the tube of base assembly as per assembly instructions on page no. 6 and 7 of User Manual.



## Assembly Instructions... continued

- Remove the bolt, and nut from the top of the mounting bracket of the mast assembly.
- Align the holes of the boom assembly and mast assembly mounting bracket as shown in Figure 9. Insert the shoulder bolt completely through the holes of mast assembly mounting bracket and the boom assembly as shown in Figure 10, and 11. Tighten the bolt and nut using the 3/16" Allen key, and 1/2" wrench as shown in Figure 12, and 13.

**NOTE: Be sure that the bolt is completely through the holes of the mast assembly mounting bracket and boom assembly, and they are not riding on the shoulder of the bolt.**



Figure 9

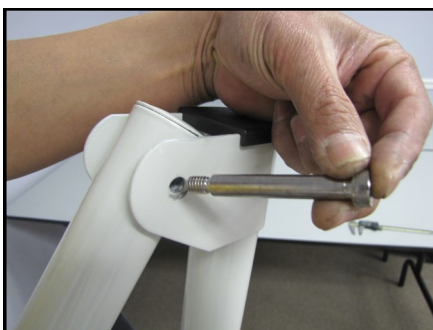


Figure 10



Figure 11



Figure 12

**Note- To check for tightness of nut and bolt:**

1. Raise the boom assembly.
2. Push the control handle away from the pump assembly.
3. If the boom assembly pivots easily, then the nut and bolt are not too tight.
4. If the boom assembly does not pivot easily or does not pivot at all, then the nut and bolt are not aligned properly.

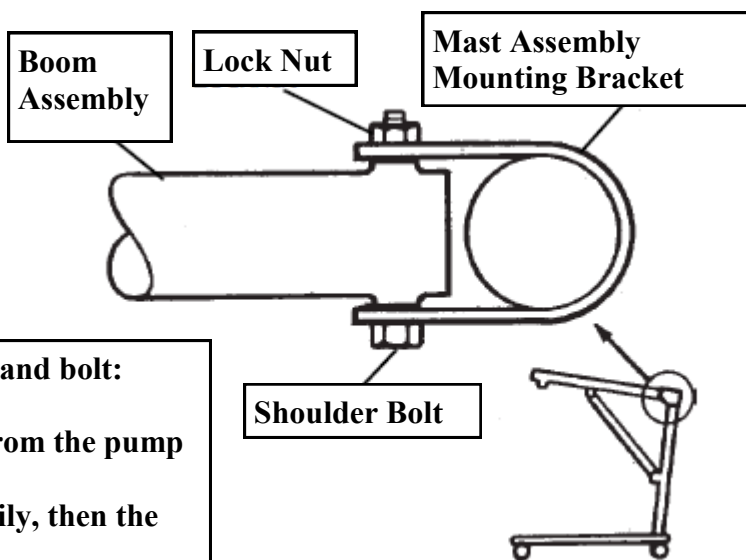


Figure 13



**Caution: The Boom and Mast when assembled must pivot easily.**

**NOTE: Once the shoulder bolt, and nut tightened completely, then the boom assembly will pivot easily if the mounting hardware is aligned properly. To check for correct alignment of the hardware, use the Allen key, and turn the shoulder bolt by hand. The shoulder bolt should rotate without a lot of force being applied. If excessive force is required to rotate, then the bolt is not aligned properly. Disassemble and repeat the assembly procedure until the proper alignment is achieved.**

# Assembly Instructions... continued

## BASE SHIFTER HANDLE ASSEMBLY:

1. Align the hole of Shifter Handle, and Cam Lock assembly as shown in Figure 14. Insert the Base Shifter Handle into the Cam lock Assembly at the rear of the base as shown in Figure 15.
2. Tighten the thumb screw to secure the shifter handle in place as shown in Figure 16.



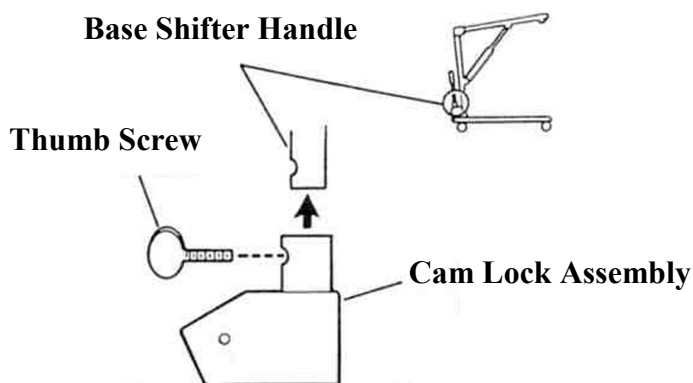
Figure 14



Figure 15



Figure 16



**NOTE: Tightening of Thumb Screw will prevent the base shifter handle from being removed from the cam lock assembly.**

# Assembly Instructions... continued

## CARRY BAR ATTACHMENT WITH MOUNTING BRACKET:

1. Insert the carry bar pin and washers up through the swivel bar pad.
2. Align the hole of carry bar pin with the hole of mounting bracket and secure with shoulder bolt and nut provided as shown in Figure 14.



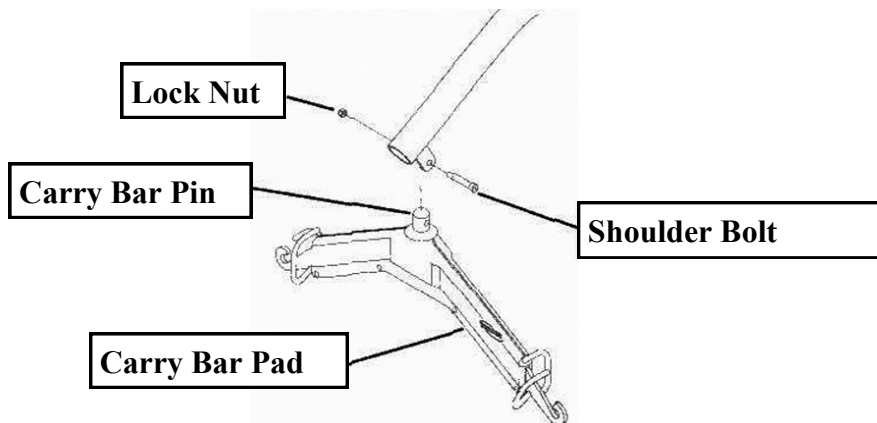
Figure 14



Figure 15



Figure 16



**NOTE:** Make sure that carry bar pin and washers are completely pushed up through the Carry Bar Pad.

The carry bar has hooks at both ends to attach the sling straps that supports the patient during the lift. The carry bar pad should remain in place during normal use.

### **After assembly, check to ensure that:**

1. The mast is fully locked into the tube of base assembly.
2. Hydraulic pump/actuator is moving up and down using the pump handle.
3. Control valve is working properly.
4. Leg spreading is working properly using the shifter handle.
5. Rear wheel brakes works properly.

## Operation:



**Caution: Visually inspect the floor lift before using for any unusual wear and tear. Should anything look unusual then contact your local representative prior to use.**

**Failure to comply with this caution could result in serious injury to the operator, the individual being lifted and/or damage to the lift.**

### Leg Spreading:

The legs of FGSH-450 lift are mechanically adjustable for opening, and closing base width. The Shifter Handle is used to open legs of the base for stability when lifting a patient.

The legs can be opened to enable access around arm chairs or wheel chairs.

1. Grasp the shifter handle in one hand and place the opposite hand on the push handle of the mast for balance as shown in Figure 17.
2. Push the shifter handle to your RIGHT to release the lock pin from its mounting hole as shown in Figure 18.
3. Turn the handle CLOCKWISE until you are able to secure the lock pin into the opposite mounting hole to fully open the legs of the base as shown in Figure 19.



Figure 17



Figure 18



Figure 19

### NOTE:

The lock pin **MUST** be inserted into its mounting hole in the socket assembly to lock the legs in the full open position. The shifter handle will be in vertical position; parallel with the mast assembly as shown in Figure 20.

# Operation... continued

## Leg Spreading:

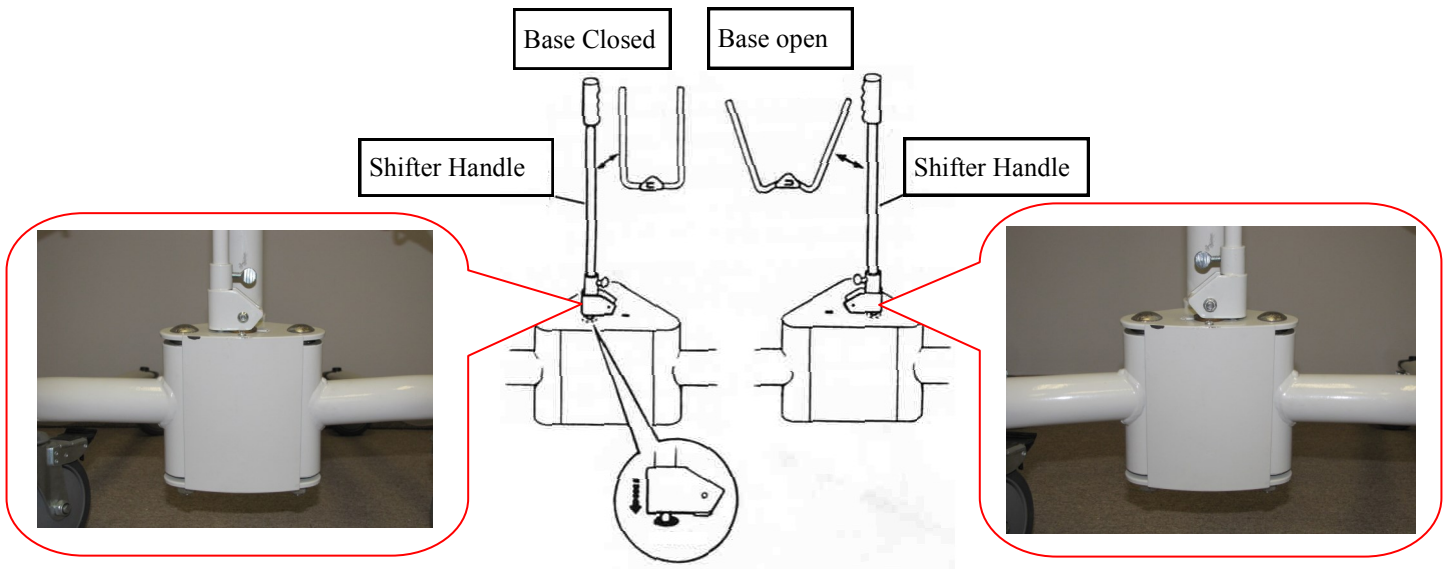


Figure 20



Figure 21

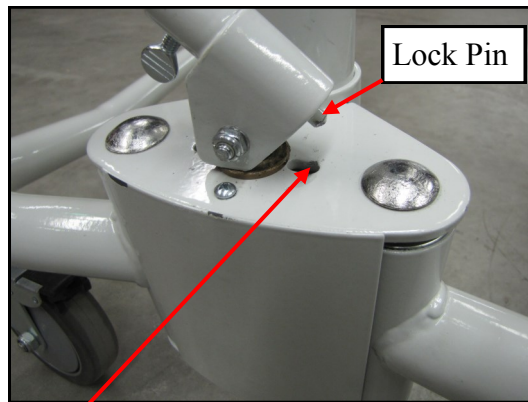


Figure 22

Lock Pin must be locked in this hole after closing and opening of leg.



**Caution:** The lock pin is not seated in the socket assembly, if the shifter handle is not vertical. **DO NOT** use the patient lift until the lock pin is properly seated and **LOCKED** in place. Failure to comply with this caution could result in serious injury to the individual being lifted and/or damage to the lift.

# Operation... continued

## Raising and Lowering the Boom:

The up and down movement of boom on FGS-450 lift is achieved by a Hydraulic Pump/Actuator which is controlled by Pump Handle, and Control Valve as shown in Figure 25.

### Raising the Boom:

The control valve must be in the CLOSED position (control valve positioned towards pump handle) to move the pump handle up and down to raise/elevate the boom and the patient as shown in Figure 23.

### Lowering the Boom:

The control valve must be in the OPEN position (control valve positioned away from pump handle) to lower the boom and the patient as shown in Figure 24. The rate of descent can be controlled by varying opening of control valve.

**NOTE: A safety gate is part of the hydraulic system that maintains a SLOW constant descent of the boom regardless of how far the control valve is opened.**



Figure 23

Figure 25

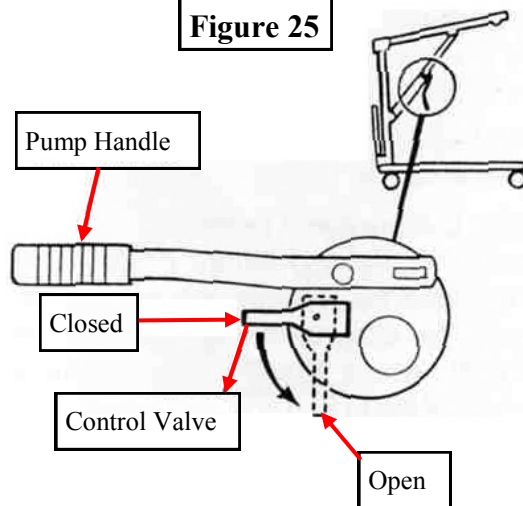


Figure 24

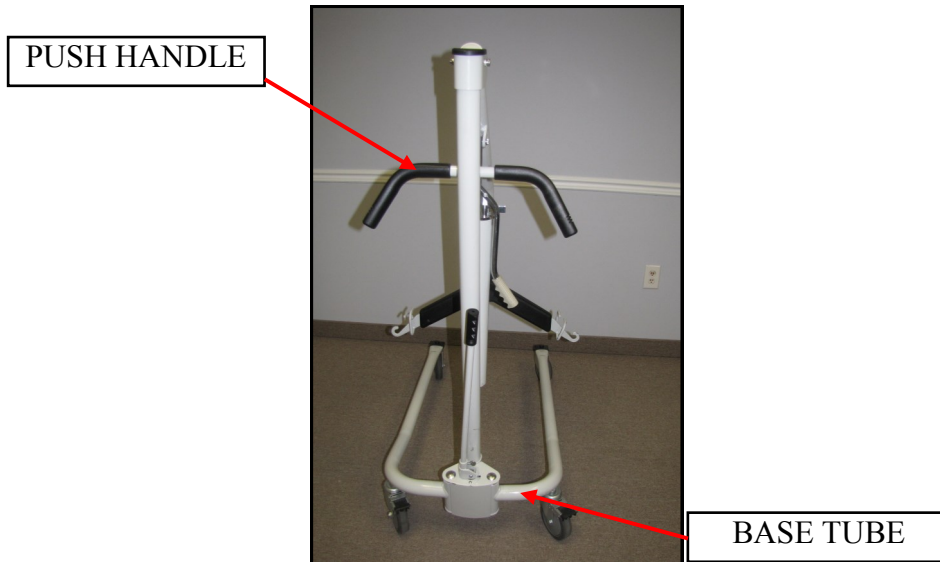


**Caution: Full opening of control valve may drop the boom suddenly or completely, could result in serious injury to the individual being lifted and/or damage to the lift. Open the control valve slowly to lower the individual being lifted.**

# Operation... continued

## Forward Movement:

To move the lift forward, hold onto the handle bar and push forward. Alternatively, the caregiver can also place one foot on the base tube and push forward with their foot.



## Turning:

When turning the lift, stand on along one side. With one hand pull gently on the push handle, and with the other hand push gently away on the lifting arm. In this way the lift will rotate around its own axis. This movement is performed with a smooth, slow action to avoid swinging the patient unnecessarily.



## Warning:

Do not hold on to the Hydraulic Pump when turning the lift as there is a risk of getting your fingers caught.

# Operation... continued

## Casters and Braking:

The FGSH-450 lift has two rear casters with brake. The rear casters can be braked for rotation, lateral movement, and parking. To apply the brake, press the brake pedal down with your foot. To release the brake, press the raised pedal towards the wheel.

During the lifting, the rear wheels should remain unlocked so that the lift will move to the patient's centre of gravity.



**Warning: Locked wheels during lifting will increase the risk of the lift tilting over.**

## Application:

**If the lift is used incorrectly any warranty or product liability might cease to be valid.**

The FGSH-450 lift must only be used for person lifting and only for persons who, including the sling, do not weigh more than the stated max. weight load. If the load exceeds the stated weight limit and if the lift is used for lifting anything but persons, then any product liability that Prism Medical might have, in connection with insurance / warranty / maintenance etc., will cease to be valid.

To avoid possible accidents and injury to persons being lifted, the floor lifts must only be operated as described in the preceding pages.



# Basics in transferring an individual

**⚠ Caution:** The following steps are intended to generally illustrate the procedure involved in the lifting and transferring of an individual from one resting surface to another (such as from bed to wheel chair) using the patient lift.

The manual for the sling that was purchased with the lift should be reviewed in detail prior to attempting these steps, as the sling illustrated here may not be the same as the one that was purchased.

Contact your local authorized Prism Medical Representatives if you have any questions or concerns.

**Step 1)** Using the Push Handle, push the patient lift underneath of the bed.

**⚠ Caution:** Always use extreme care when moving the lift from one surface to another. Watch out for and avoid any obstructions that may cause injury to the individual in the sling, or damage to the lift.

**Step 2)** Prepare the individual being transferred with the appropriate sling. Refer to the instructions supplied with the sling that was purchased on how to properly outfit an individual with a sling.

**⚠ Caution:** Always make sure that the sling is correctly fitted and adjusted on each side of the individual so that maximum comfort and safety are achieved prior to lifting.

**Step 3)** Once the individual has been outfitted with the sling, move the lift so that it is positioned **directly over** the individual and utilize leg opening function. Lower the carry bar to a height so that the straps of the sling can be easily attached to the carry bar.

**⚠ Caution:** Always check to ensure that the rear wheels are not locked, and legs must be locked in the open position for optimum stability and safety.

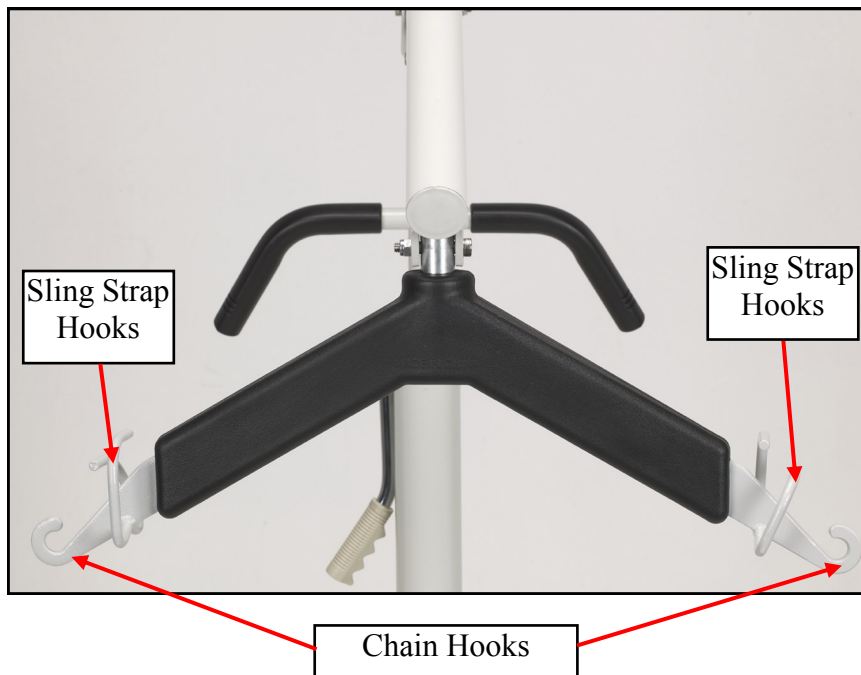
**⚠ Caution:** Always check to ensure that the lift is correctly positioned directly above the person to be lifted.

**⚠ Caution:** Check to ensure that the carry bar has no cuts, dents or sharp edges that may come in contact with the straps of the sling and cause damage to them. Report any concerns to your local authorized representative.

## Basics in transferring an individual... continued

**Step 4)** Attach the straps of the sling to the sling hooks of the carry bar. The straps on each side of the sling are generally attached to the corresponding side of the carry bar. Be sure to double check to ensure that the straps are properly attached to the carry bar, and that the individual being lifted is properly positioned in the sling prior to lifting.

**⚠ Caution: Prior to lifting an individual make sure that the straps of the sling are securely placed on the sling hooks of the carry bar.**



**⚠ Caution: Attach sling straps to the sling hooks only. Do not attach sling straps to chain hooks. Failure to comply with this caution could result in serious injury to the individual being lifted and/or damage to the lift.**

**Step 5)** The individual may now be raised by pumping the lift handle of hydraulic actuator. While lifting is in progress the height required in order for the transfer to be completed safely should be closely observed.

**⚠ Caution: When elevated few inches off the bed and before moving the patient, check that sling straps are properly attached. If any attachments are not properly in place, lower the individual back onto the bed and correct the attachment.**

**Adjustments for safety and comfort should be made before moving the individual. Patient's arms should be inside of the sling straps.**

**Prism Medical Slings and hardware are made specifically for use with Prism Medical Patient Lifts. For the safety of the patient, DO NOT intermix slings and patient lifts of different manufacturers.**

## Basics in transferring an individual ... continued

**Step 6)** When individual is clear of the bed surface, swing their feet off the bed. Using push handle, move the patient lift away from the bed. When moving the patient lift away from the bed, turn individual so that he/she faces attendant operating the patient lift.

**Step 7)** Slowly open the control valve to lower the individual so that his/her feet rest on or over the base of the lift, straddling the mast. Close control valve.

NOTE: The lower center of gravity provides stability making the individual feel more secure and the lift is easier to pull or push.



**CAUTION: Prior to removing the straps of the sling from the carry bar be sure to check that the individual being lifted is securely supported in the final desired position.**

**DO NOT lock the rear casters when lifting the individual.**

**LOCKED Rear casters during the lifting will increase the risk of the lift tilt over.**

**Step 8)** Pull the patient lift away from the bed and push from behind the lift with both hands. Lower the carry bar sufficiently to allow the straps of the sling to be easily removed from the carry bar. Take care not to let the carry bar come in contact with the individual in the sling. The straps from the sling can now be removed from the carry bar. The lift should then be moved away from the immediate area so that it will not interfere with the removal of the sling from the client.

**Step 9)** The sling can now be gently removed from the individual. It should then be stored in a safe place for future use.

**Step 10)** The lift can now be moved to a safe location until further use, or relocated to its original location.

# General Care, Inspection and Maintenance

The Prism Medical Patient Lift is designed to provide a maximum of safe, efficient, and satisfactory service with minimum care and maintenance.

All parts of the Prism Medical Lift are made of best grades of steel, but metal to metal contact will wear after considerable use.

There is no adjustment or maintenance of either the casters or brakes, other than cleaning, lubrication and checking axle and swivel bolts for tightness. Remove all debris, etc. from the wheel and swivel bearings. If any parts are worn, replace these parts immediately.

If you have any questions regarding the safety of any part of the lift, contact your dealer immediately.

## HYDRAULIC PUMP:

All parts of the Hydraulic Pump are precision machined, then carefully assembled and tested to ensure reliable service. The pump assembly is completely enclosed and sealed with Neoprene rings to prevent leakage of hydraulic oil. A small amount of oil (about a drop) will accumulate around the piston from time to time and should be removed with a facial tissue.



**WARNING:** The Hydraulic Pump is sealed at the factory. Hydraulic Pump must be returned to the factory for repair, if any service is required. Do not attempt to open the hydraulic pump or obtain local service. This will void the warranty and might result in damage and costly repairs. Contact your dealer for information.

## LUBRICATION:

The Prism Medical Patient Lift is designed for minimum maintenance; however, a check and lubrication at every six months should ensure continued safety and reliability.

Keep lift, and slings clean and in good working order. Any defect should be noted and reported to your dealer immediately.

The casters must swivel and roll smoothly. A light grease (water proof auto lubricant) may be applied to the ball bearing swivel of the casters once a year. Apply more frequently if the casters are exposed to extreme moist conditions.

The connection between the mast and the base should be cleaned and coated with petroleum jelly prior to assembly.



**CAUTION:** Take great care to ensure that no liquids get inside the lift. This lift is not drip proof or water tight. Failure to protect the lift from liquids may result in damage to the lift and/or may cause personal injury.

# **General Care, Inspection and Maintenance... continued**

Lubricate following pivot points. Wipe all excess lubricant from lift surface.

1. Swivel Bar at mounting Bracket
2. Boom Mounting Bracket
3. Boom to Mast Bracket
4. Mast Mounting Bracket
5. Base to Mast Mount
6. Rear Casters
7. Front Casters

## **WEAR AND DAMAGE:**

It is important to inspect all stressed parts, such as slings, carry bar and any pivot for slings for signs of cracking, fraying, deformation, or deterioration. Replace any defective parts immediately and ensure that the lift is not used until repairs are made.

Check that all labels are present and legible. Replace the labels if necessary.

## **CLEANING:**

The lift can be cleaned with a non abrasive cleaners. Auto wax or furniture polish will help to maintain the sparkling finish over a long period of time.

## **DISINFECTION OF LIFT, AND CARRY BAR:**

Following products to be used only for disinfecting the lift exterior case, and carry bar.

1. Isopropyl Alcohol
2. Accelerated Hydrogen Peroxide (Virox)
3. Quaternary Disinfectant Cleaner

# General Care, Inspection and Maintenance... continued

## A) Each Use - To be completed by User

- Hydraulic Pump, and Leg Spreading are operational.

## B) Semi-Annually - To be completed at least every 6 months.

Should any of the items as per check list on next page fail the inspection do not use the lift. Contact Prism Medical Systems or your local qualified service technician for service.

- Complete the inspection as per check list on next page.
- Check and lubrication at every six months to all pivot points as listed on previous page.

## C) Annually - To be completed at least every 12 months.

- Complete the inspection as noted in the “Semi-Annually” section above.

### Also check the following:

- A light grease (water proof auto lubricant) may be applied to the ball bearing swivel of the casters once a year.
- Perform a working load test of one (1) lifting cycle with the maximum load. This is in accordance to the periodic inspection requirements of ISO10535.



**This section to be only completed by a qualified service technician as authorized by Prism Medical Ltd. Use the provided service record history sheets to note findings during inspection.**

# General Care, Inspection and Maintenance Check List

| ITEM  | INITIALLY | INSTITUTIONAL<br>INSPECT/<br>ADJUST<br>MONTHLY | IN-HOME<br>INSPECT/<br>ADJUST<br>MONTHLY | IN-HOME<br>INSPECT/<br>ADJUST EVERY<br>SIX MONTHS |
|---|-----------|--|--|---|
| <b>CASTER BASE ASSEMBLY</b>                                   |           |  |  |   |
| Inspect for missing hardware.                                 | X         | X  | X  |   |
| Lift Base opens/closes with ease.                             | X         |  |  | X   |
| Inspect roll pin to ensure secure base.                       | X         | X  | X  |   |
| Inspect casters and axle bolts for tightness.                 | X         | X  | X  |   |
| Inspect casters for smooth swivel and roll.                   | X         | X  | X  |   |
| Apply a light grease to caster ball bearings.                 |           |  |  | X   |
| <b>SHIFTER HANDLE</b>   |           |  |  |   |
| Operates smoothly.  | X         |  |  | X   |
| Locks adjustable base whenever engaged.                       | X         | X  | X  |   |
| Check roll pin for wear.                                      | X         | X  | X  |   |
| <b>MAST</b>   |           |  |  |   |
| Mast should lock securely when assembled.                     | X         | X  | X  |   |
| Inspect for bends or deflections.                             | X         | X  | X  |   |
| <b>BOOM</b>   |           |  |  |   |
| Check all hardware and carry bar supports.                    | X         | X  | X  |   |
| Inspect for bends or deflections.                             | X         | X  | X  |   |
| Inspect bolted joints of boom for wear.                       | X         | X  | X  |   |
| Inspect to ensure that the boom is centered between the legs. | X         | X  | X  | X   |
| <b>CARRY BAR</b>  |           |  |  |   |
| Check the hooks for wear or damaged,                          | X         | X  | X  | X   |
| Check the sling hooks for wear or deflection.                 | X         | X  | X  | X   |
| <b>HYDRAULIC PUMP/ACTUATOR</b>                                |           |  |  |   |
| Check for leakage.  | X         | X  | X  | X   |
| Inspect hardware on mast and boom.                            | X         | X  | X  | X   |
| Check for wear or deflection of piston rod.                   | X         | X  | X  | X   |
| <b>PUMP HANDLE</b>  |           |  |  |   |
| Check for smooth operation.                                   | X         |  |  | X   |
| <b>CONTROL VALVE</b>  |           |  |  |   |
| Easy to maneuver and closes easily.                           | X         |  |  | X   |
| <b>CLEANING</b>   |           |  |  |   |
| Whenever necessary.   |           |  |  | X   |
| <b>SLINGS</b>   |           |  |  |   |
| Inspect sling straps and material for wear.                   | X         | X  | X  | X   |

# Floor Lift - Points of Attachment

Use the described tools to tighten the bolts on a monthly basis in the areas shown.





# Service Record History - Initial Information

- Complete the following section on **Purchase and Service Information** as soon as this equipment is purchased.
- Use the service record history to record to any completed service and repairs.
- Ensure that the service record is signed and dated each time it is used.
- Be sure to have this piece of equipment serviced on a regular basis as described in the General Inspection and Maintenance Section.

## **PURCHASE INFORMATION:**

**Product Name: FGSB-450 Hydraulic Steel Floor Lift**

**Serial #:** \_\_\_\_\_

**Date of Purchase:** \_\_\_\_\_

**Purchased From:** \_\_\_\_\_  
(local authorized Prism Medical Representative)

**Address:** \_\_\_\_\_

**City:** \_\_\_\_\_ **Postal Code:** \_\_\_\_\_

**Telephone No:** \_\_\_\_\_

**Comments:**

## **SERVICE INFORMATION:**

Contact the following company for service:

**Company:** \_\_\_\_\_  
(local authorized Prism Medical Representative)

**Address:** \_\_\_\_\_

**City:** \_\_\_\_\_ **Postal Code:** \_\_\_\_\_

**Telephone No:** \_\_\_\_\_

**Comments:**

# Service Record History

Complete this section after each service, repair inspection and/or maintenance. Photocopy additional pages as required.

|  |  |                    |  |
|--|--|--------------------|--|
| <b>Date:</b> _____   |  | <b>Time:</b> _____ |  |
| <b>Service Type:</b> <input type="checkbox"/> Periodic Inspection <input type="checkbox"/> Monthly Inspection <input type="checkbox"/> 6 Month Inspection <input type="checkbox"/> Repair <input type="checkbox"/> Yearly Inspection <input type="checkbox"/> Other: _____ |  |                    |  |
| <b>Completed By:</b> _____   |  | _____              |  |
| Printed Name   |  | Signature          |  |
| <b>Company:</b> _____  |  |                    |  |
| <b>Remarks &amp; Action Taken:</b>   |  |                    |  |

|  |  |                    |  |
|--|--|--------------------|--|
| <b>Date:</b> _____   |  | <b>Time:</b> _____ |  |
| <b>Service Type:</b> <input type="checkbox"/> Periodic Inspection <input type="checkbox"/> Monthly Inspection <input type="checkbox"/> 6 Month Inspection <input type="checkbox"/> Repair <input type="checkbox"/> Yearly Inspection <input type="checkbox"/> Other: _____ |  |                    |  |
| <b>Completed By:</b> _____   |  | _____              |  |
| Printed Name   |  | Signature          |  |
| <b>Company:</b> _____  |  |                    |  |
| <b>Remarks &amp; Action Taken:</b>   |  |                    |  |

|  |  |                    |  |
|--|--|--------------------|--|
| <b>Date:</b> _____   |  | <b>Time:</b> _____ |  |
| <b>Service Type:</b> <input type="checkbox"/> Periodic Inspection <input type="checkbox"/> Monthly Inspection <input type="checkbox"/> 6 Month Inspection <input type="checkbox"/> Repair <input type="checkbox"/> Yearly Inspection <input type="checkbox"/> Other: _____ |  |                    |  |
| <b>Completed By:</b> _____   |  | _____              |  |
| Printed Name   |  | Signature          |  |
| <b>Company:</b> _____  |  |                    |  |
| <b>Remarks &amp; Action Taken:</b>   |  |                    |  |

|  |  |                    |  |
|--|--|--------------------|--|
| <b>Date:</b> _____   |  | <b>Time:</b> _____ |  |
| <b>Service Type:</b> <input type="checkbox"/> Periodic Inspection <input type="checkbox"/> Monthly Inspection <input type="checkbox"/> 6 Month Inspection <input type="checkbox"/> Repair <input type="checkbox"/> Yearly Inspection <input type="checkbox"/> Other: _____ |  |                    |  |
| <b>Completed By:</b> _____   |  | _____              |  |
| Printed Name   |  | Signature          |  |
| <b>Company:</b> _____  |  |                    |  |
| <b>Remarks &amp; Action Taken:</b>   |  |                    |  |

|  |  |                    |  |
|--|--|--------------------|--|
| <b>Date:</b> _____   |  | <b>Time:</b> _____ |  |
| <b>Service Type:</b> <input type="checkbox"/> Periodic Inspection <input type="checkbox"/> Monthly Inspection <input type="checkbox"/> 6 Month Inspection <input type="checkbox"/> Repair <input type="checkbox"/> Yearly Inspection <input type="checkbox"/> Other: _____ |  |                    |  |
| <b>Completed By:</b> _____   |  | _____              |  |
| Printed Name   |  | Signature          |  |
| <b>Company:</b> _____  |  |                    |  |
| <b>Remarks &amp; Action Taken:</b>   |  |                    |  |

|  |  |                    |  |
|--|--|--------------------|--|
| <b>Date:</b> _____   |  | <b>Time:</b> _____ |  |
| <b>Service Type:</b> <input type="checkbox"/> Periodic Inspection <input type="checkbox"/> Monthly Inspection <input type="checkbox"/> 6 Month Inspection <input type="checkbox"/> Repair <input type="checkbox"/> Yearly Inspection <input type="checkbox"/> Other: _____ |  |                    |  |
| <b>Completed By:</b> _____   |  | _____              |  |
| Printed Name   |  | Signature          |  |
| <b>Company:</b> _____  |  |                    |  |
| <b>Remarks &amp; Action Taken:</b>   |  |                    |  |

# Service Record History

Complete this section after each service, repair inspection and/or maintenance. Photocopy additional pages as required.

|  |  |                    |  |
|--|--|--------------------|--|
| <b>Date:</b> _____   |  | <b>Time:</b> _____ |  |
| <b>Service Type:</b> <input type="checkbox"/> Periodic Inspection <input type="checkbox"/> Monthly Inspection <input type="checkbox"/> 6 Month Inspection <input type="checkbox"/> Repair <input type="checkbox"/> Yearly Inspection <input type="checkbox"/> Other: _____ |  |                    |  |
| <b>Completed By:</b> _____   |  | _____              |  |
| Printed Name   |  | Signature          |  |
| <b>Company:</b> _____  |  |                    |  |
| <b>Remarks &amp; Action Taken:</b>   |  |                    |  |

|  |  |                    |  |
|--|--|--------------------|--|
| <b>Date:</b> _____   |  | <b>Time:</b> _____ |  |
| <b>Service Type:</b> <input type="checkbox"/> Periodic Inspection <input type="checkbox"/> Monthly Inspection <input type="checkbox"/> 6 Month Inspection <input type="checkbox"/> Repair <input type="checkbox"/> Yearly Inspection <input type="checkbox"/> Other: _____ |  |                    |  |
| <b>Completed By:</b> _____   |  | _____              |  |
| Printed Name   |  | Signature          |  |
| <b>Company:</b> _____  |  |                    |  |
| <b>Remarks &amp; Action Taken:</b>   |  |                    |  |

|  |  |                    |  |
|--|--|--------------------|--|
| <b>Date:</b> _____   |  | <b>Time:</b> _____ |  |
| <b>Service Type:</b> <input type="checkbox"/> Periodic Inspection <input type="checkbox"/> Monthly Inspection <input type="checkbox"/> 6 Month Inspection <input type="checkbox"/> Repair <input type="checkbox"/> Yearly Inspection <input type="checkbox"/> Other: _____ |  |                    |  |
| <b>Completed By:</b> _____   |  | _____              |  |
| Printed Name   |  | Signature          |  |
| <b>Company:</b> _____  |  |                    |  |
| <b>Remarks &amp; Action Taken:</b>   |  |                    |  |

|  |  |                    |  |
|--|--|--------------------|--|
| <b>Date:</b> _____   |  | <b>Time:</b> _____ |  |
| <b>Service Type:</b> <input type="checkbox"/> Periodic Inspection <input type="checkbox"/> Monthly Inspection <input type="checkbox"/> 6 Month Inspection <input type="checkbox"/> Repair <input type="checkbox"/> Yearly Inspection <input type="checkbox"/> Other: _____ |  |                    |  |
| <b>Completed By:</b> _____   |  | _____              |  |
| Printed Name   |  | Signature          |  |
| <b>Company:</b> _____  |  |                    |  |
| <b>Remarks &amp; Action Taken:</b>   |  |                    |  |

|  |  |                    |  |
|--|--|--------------------|--|
| <b>Date:</b> _____   |  | <b>Time:</b> _____ |  |
| <b>Service Type:</b> <input type="checkbox"/> Periodic Inspection <input type="checkbox"/> Monthly Inspection <input type="checkbox"/> 6 Month Inspection <input type="checkbox"/> Repair <input type="checkbox"/> Yearly Inspection <input type="checkbox"/> Other: _____ |  |                    |  |
| <b>Completed By:</b> _____   |  | _____              |  |
| Printed Name   |  | Signature          |  |
| <b>Company:</b> _____  |  |                    |  |
| <b>Remarks &amp; Action Taken:</b>   |  |                    |  |

|  |  |                    |  |
|--|--|--------------------|--|
| <b>Date:</b> _____   |  | <b>Time:</b> _____ |  |
| <b>Service Type:</b> <input type="checkbox"/> Periodic Inspection <input type="checkbox"/> Monthly Inspection <input type="checkbox"/> 6 Month Inspection <input type="checkbox"/> Repair <input type="checkbox"/> Yearly Inspection <input type="checkbox"/> Other: _____ |  |                    |  |
| <b>Completed By:</b> _____   |  | _____              |  |
| Printed Name   |  | Signature          |  |
| <b>Company:</b> _____  |  |                    |  |
| <b>Remarks &amp; Action Taken:</b>   |  |                    |  |

# Service Record History

Complete this section after each service, repair inspection and/or maintenance. Photocopy additional pages as required.

|  |                    |
|--|--------------------|
| <b>Date:</b> _____ <b>Time:</b> _____  |                    |
| <b>Service Type:</b> <input type="checkbox"/> Periodic Inspection <input type="checkbox"/> Monthly Inspection <input type="checkbox"/> 6 Month Inspection <input type="checkbox"/> Repair <input type="checkbox"/> Yearly Inspection <input type="checkbox"/> Other: _____ |                    |
| <b>Completed By:</b> _____<br>Printed Name   | _____<br>Signature |
| <b>Company:</b> _____  |                    |
| <b>Remarks &amp; Action Taken:</b>   |                    |

|  |                    |
|--|--------------------|
| <b>Date:</b> _____ <b>Time:</b> _____  |                    |
| <b>Service Type:</b> <input type="checkbox"/> Periodic Inspection <input type="checkbox"/> Monthly Inspection <input type="checkbox"/> 6 Month Inspection <input type="checkbox"/> Repair <input type="checkbox"/> Yearly Inspection <input type="checkbox"/> Other: _____ |                    |
| <b>Completed By:</b> _____<br>Printed Name   | _____<br>Signature |
| <b>Company:</b> _____  |                    |
| <b>Remarks &amp; Action Taken:</b>   |                    |

|  |                    |
|--|--------------------|
| <b>Date:</b> _____ <b>Time:</b> _____  |                    |
| <b>Service Type:</b> <input type="checkbox"/> Periodic Inspection <input type="checkbox"/> Monthly Inspection <input type="checkbox"/> 6 Month Inspection <input type="checkbox"/> Repair <input type="checkbox"/> Yearly Inspection <input type="checkbox"/> Other: _____ |                    |
| <b>Completed By:</b> _____<br>Printed Name   | _____<br>Signature |
| <b>Company:</b> _____  |                    |
| <b>Remarks &amp; Action Taken:</b>   |                    |

|  |                    |
|--|--------------------|
| <b>Date:</b> _____ <b>Time:</b> _____  |                    |
| <b>Service Type:</b> <input type="checkbox"/> Periodic Inspection <input type="checkbox"/> Monthly Inspection <input type="checkbox"/> 6 Month Inspection <input type="checkbox"/> Repair <input type="checkbox"/> Yearly Inspection <input type="checkbox"/> Other: _____ |                    |
| <b>Completed By:</b> _____<br>Printed Name   | _____<br>Signature |
| <b>Company:</b> _____  |                    |
| <b>Remarks &amp; Action Taken:</b>   |                    |

|  |                    |
|--|--------------------|
| <b>Date:</b> _____ <b>Time:</b> _____  |                    |
| <b>Service Type:</b> <input type="checkbox"/> Periodic Inspection <input type="checkbox"/> Monthly Inspection <input type="checkbox"/> 6 Month Inspection <input type="checkbox"/> Repair <input type="checkbox"/> Yearly Inspection <input type="checkbox"/> Other: _____ |                    |
| <b>Completed By:</b> _____<br>Printed Name   | _____<br>Signature |
| <b>Company:</b> _____  |                    |
| <b>Remarks &amp; Action Taken:</b>   |                    |

|  |                    |
|--|--------------------|
| <b>Date:</b> _____ <b>Time:</b> _____  |                    |
| <b>Service Type:</b> <input type="checkbox"/> Periodic Inspection <input type="checkbox"/> Monthly Inspection <input type="checkbox"/> 6 Month Inspection <input type="checkbox"/> Repair <input type="checkbox"/> Yearly Inspection <input type="checkbox"/> Other: _____ |                    |
| <b>Completed By:</b> _____<br>Printed Name   | _____<br>Signature |
| <b>Company:</b> _____  |                    |
| <b>Remarks &amp; Action Taken:</b>   |                    |

# Warranty

This Warranty does not affect or in any way limit your Statutory Rights

- 1) Prism Medical guarantees all equipment supplied as new, against failure within the period of 1 year from date of purchase by virtue of defects in material or workmanship.
- 2) This warranty does not apply to failure attributable to normal wear and tear, damage by natural forces, user neglect or misuse or to deliberate destruction, or to batteries more than 90 days after original purchase.
- 3) This equipment warranty shall be void if the equipment is not serviced by Prism Medical or its authorized service agents in accordance with the manufacturer's recommendations or if any unauthorized person carries out works on the equipment.
- 4) The liability of Prism Medical under the terms of this guarantee shall be limited to the replacement of defective part (s) to the sales distributor, dealer, agent, person or entity which purchased the equipment from Prism Medical. In no event shall Prism Medical incur liability for any consequential or unforeseeable losses.

---

If you have any questions about the manufacture or operation  
of this equipment, please contact  
Waverley Glen, or your local authorized dealer.

**PRISM MEDICAL**

